

National Semiconductor is now part of  
Texas Instruments.

Search <http://www.ti.com/> for the latest technical  
information and details on our current products and services.

# LM320L/LM79LXXAC Series 3-Terminal Negative Regulators

## General Description

The LM320L/LM79LXXAC dual marked series of 3-terminal negative voltage regulators features fixed output voltages of  $-5V$ ,  $-12V$ , and  $-15V$  with output current capabilities in excess of 100mA. These devices were designed using the latest computer techniques for optimizing the packaged IC thermal/electrical performance. The LM79LXXAC series, even when combined with a minimum output compensation capacitor of  $0.1\mu F$ , exhibits an excellent transient response, a maximum line regulation of  $0.07\% V_O/V$ , and a maximum load regulation of  $0.01\% V_O/mA$ .

The LM320L/LM79LXXAC series also includes, as self-protection circuitry: safe operating area circuitry for output transistor power dissipation limiting, a temperature independent short circuit current limit for peak output current limiting, and a thermal shutdown circuit to prevent excessive junction temperature. Although designed primarily as fixed voltage regulators, these devices may be combined with simple external circuitry for boosted and/or adjustable voltages and currents. The LM79LXXAC series is available in the 3-lead

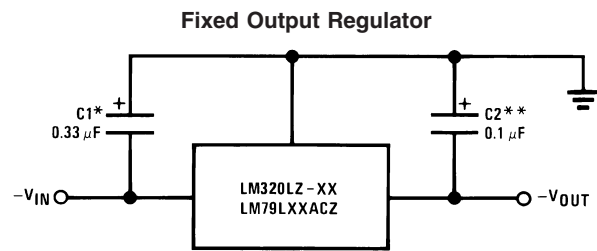
TO-92 package, 8-lead SOIC package, and the 6-Bump micro SMD package. The LM320L series is available in the 3-lead TO-92 package.

For output voltage other than  $-5V$ ,  $-12V$  and  $-15V$ , the LM137L series provides an output voltage range from 1.2V to 47V.

## Features

- Preset output voltage error is less than  $\pm 5\%$  overload, line and temperature
- Specified at an output current of 100mA
- Easily compensated with a small  $0.1\mu F$  output capacitor
- Internal short-circuit, thermal and safe operating area protection
- Easily adjustable to higher output voltages
- Maximum line regulation less than  $0.07\% V_{OUT}/V$
- Maximum load regulation less than  $0.01\% V_{OUT}/mA$
- See AN-1112 for micro SMD considerations

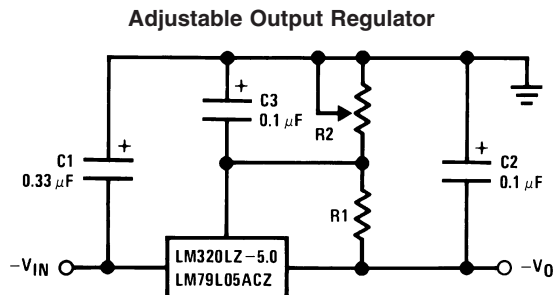
## Typical Applications



00774801

\*Required if the regulator is located far from the power supply filter. A  $1\mu F$  aluminum electrolytic may be substituted.

\*\*Required for stability. A  $1\mu F$  aluminum electrolytic may be substituted.



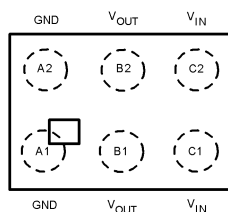
00774803

$$-V_0 = -5V - (5V/R1 + I_Q) \cdot R2$$

$$5V/R1 > 3 I_Q$$

## Connection Diagrams

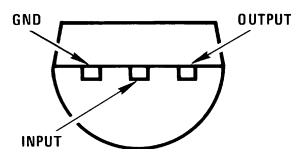
### 6-Bump micro SMD



00774820

### Bump Side Down

### TO-92 Plastic Package (Z)

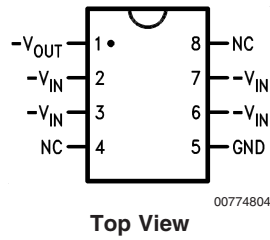


00774802

### Bottom View

## Connection Diagrams (Continued)

SO-8 Plastic (Narrow Body)



## Ordering Information

Package	Part Number	Package Marking	Transport Media	NSC Drawing
8-Lead SOIC	LM79L05ACM	LM79L05ACM	95 Units/Rail	M08A
	LM79L05ACMX		2.5k Units Tape and Reel	
	LM79L12ACM	LM79L12ACM	95 Units/Rail	
	LM79L12ACMX		2.5k Units Tape and Reel	
	LM79L15ACM	LM79L15ACM	95 Units/Rail	
	LM79L15ACMX		2.5k Units Tape and Reel	
3-Pin TO-92	LM79L05ACZ	320L79L05	1800 Units Per Box	Z03A
	LM79L12ACZ	320L79L12	1800 Units Per Box	
	LM79L15ACZ	320L79L15	1800 Units Per Box	
6-Bump micro SMD	LM79L15ACTL	XTPB	250 Units Tape and Reel	TLA06AMA
	LM79L05ACTLX		3k Units Tape and Reel	

**Absolute Maximum Ratings** (Note 1)

If Military/Aerospace specified devices are required, please contact the National Semiconductor Sales Office/Distributors for availability and specifications.

Input Voltage

$$V_O = -5V, -12V, -15V \quad -35V$$

Internal Power Dissipation (Note 2) Internally Limited

Operating Temperature Range

$$0^\circ\text{C to }+70^\circ\text{C}$$

Maximum Junction Temperature

$$+125^\circ\text{C}$$

Storage Temperature Range

$$-55^\circ\text{C to }+150^\circ\text{C}$$

Lead Temperature

(Soldering, 10 sec.)

$$260^\circ\text{C}$$

**Electrical Characteristics** (Note 3)
 $T_A = 0^\circ\text{C to }+70^\circ\text{C}$  unless otherwise noted.

Output Voltage			-5V			-12V			-15V			Units
Input Voltage (unless otherwise noted)			-10V			-17V			-20V			
Symbol	Parameter	Conditions	Min	Typ	Max	Min	Typ	Max	Min	Typ	Max	
$V_O$	Output Voltage	$T_J = 25^\circ\text{C}, I_O = 100\text{mA}$	-5.2	-5	-4.8	-12.5	-12	-11.5	-15.6	-15	-14.4	V
		$1\text{mA} \leq I_O \leq 100\text{mA}$	-5.25		-4.75	-12.6		-11.4	-15.75		-14.25	
		$V_{\text{MIN}} \leq V_{\text{IN}} \leq V_{\text{MAX}}$	(-20 $\leq V_{\text{IN}} \leq -7.5$ )			(-27 $\leq V_{\text{IN}} \leq -14.8$ )			(-30 $\leq V_{\text{IN}} \leq -18$ )			
		$1\text{mA} \leq I_O \leq 40\text{mA}$	-5.25		-4.75	-12.6		-11.4	-15.75		-14.25	
		$V_{\text{MIN}} \leq V_{\text{IN}} \leq V_{\text{MAX}}$	(-20 $\leq V_{\text{IN}} \leq -7$ )			(-27 $\leq V_{\text{IN}} \leq -14.5$ )			(-30 $\leq V_{\text{IN}} \leq -17.5$ )			
$\Delta V_O$	Line Regulation	$T_J = 25^\circ\text{C}, I_O = 100\text{mA}$			60			45			45	mV
		$V_{\text{MIN}} \leq V_{\text{IN}} \leq V_{\text{MAX}}$	(-20 $\leq V_{\text{IN}} \leq -7.3$ )			(-27 $\leq V_{\text{IN}} \leq -14.6$ )			(-30 $\leq V_{\text{IN}} \leq -17.7$ )			V
		$T_J = 25^\circ\text{C}, I_O = 40\text{mA}$			60			45			45	mV
		$V_{\text{MIN}} \leq V_{\text{IN}} \leq V_{\text{MAX}}$	(-20 $\leq V_{\text{IN}} \leq -7$ )			(-27 $\leq V_{\text{IN}} \leq -14.5$ )			(-30 $\leq V_{\text{IN}} \leq -17.5$ )			V
$\Delta V_O$	Load Regulation	$T_J = 25^\circ\text{C}$			50			100			125	mV
		$1\text{mA} \leq I_O \leq 100\text{mA}$										
$\Delta V_O$	Long Term Stability	$I_O = 100\text{mA}$		20			48			60		mV/khrs
$I_Q$	Quiescent Current	$I_O = 100\text{mA}$		2	6		2	6		2	6	mA
$\Delta I_Q$	Quiescent Current Change	$1\text{mA} \leq I_O \leq 100\text{mA}$			0.3			0.3			0.3	
		$1\text{mA} \leq I_O \leq 40\text{mA}$			0.1		0.1			0.1	mA	
		$I_O = 100\text{mA}$			0.25		0.25		0.25		0.25	mA
		$V_{\text{MIN}} \leq V_{\text{IN}} \leq V_{\text{MAX}}$	(-20 $\leq V_{\text{IN}} \leq -7.5$ )			(-27 $\leq V_{\text{IN}} \leq -14.8$ )			(-30 $\leq V_{\text{IN}} \leq -18$ )			V
$V_n$	Output Noise Voltage	$T_J = 25^\circ\text{C}, I_O = 100\text{mA}$		40			96			120		$\mu\text{V}$
		$f = 10\text{Hz} - 10\text{kHz}$										
$\frac{\Delta V_{\text{IN}}}{\Delta V_O}$	Ripple Rejection	$T_J = 25^\circ\text{C}, I_O = 100\text{mA}$ $f = 120\text{Hz}$	50			52			50			dB
	Input Voltage Required to Maintain Line Regulation	$T_J = 25^\circ\text{C}, I_O = 100\text{mA}$			-7.3			-14.6			-17.7	V
		$I_O = 40\text{mA}$			-7.0			-14.5			-17.5	V

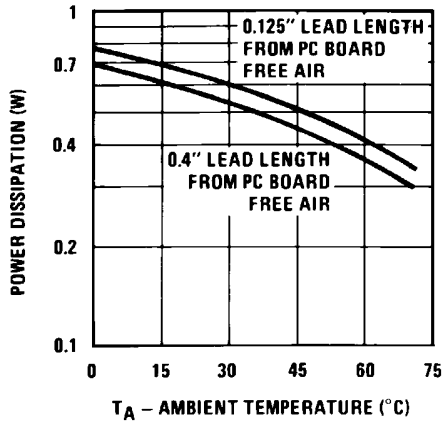
**Note 1:** Absolute Maximum Ratings indicate limits beyond which damage to the device may occur. Operating Ratings indicate conditions for which the device is functional, but do not guarantee specific performance limits.

**Note 2:** Thermal resistance of Z package is  $60^\circ\text{C/W } \theta_{\text{JC}}, 232^\circ\text{C/W } \theta_{\text{JA}}$  at still air, and  $88^\circ\text{C/W}$  at 400 ft/min of air. The M package  $\theta_{\text{JA}}$  is  $180^\circ\text{C/W}$  in still air. The maximum junction temperature shall not exceed  $125^\circ\text{C}$  on electrical parameters.

**Note 3:** To ensure constant junction temperature, low duty cycle pulse testing is used.

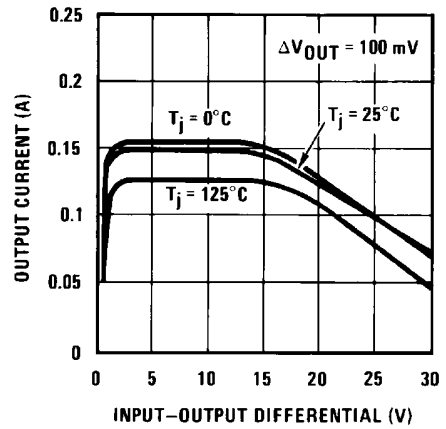
# Typical Performance Characteristics

Maximum Average Power Dissipation (TO-92)



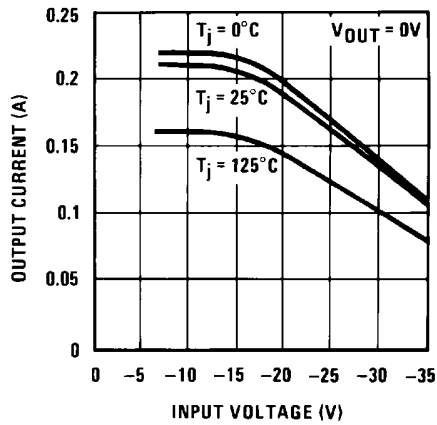
00774811

Peak Output Current



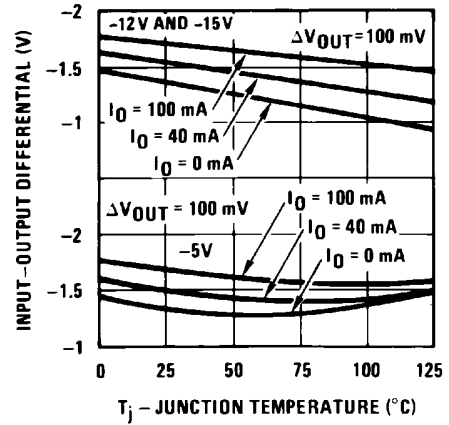
00774812

Short Circuit Output Current



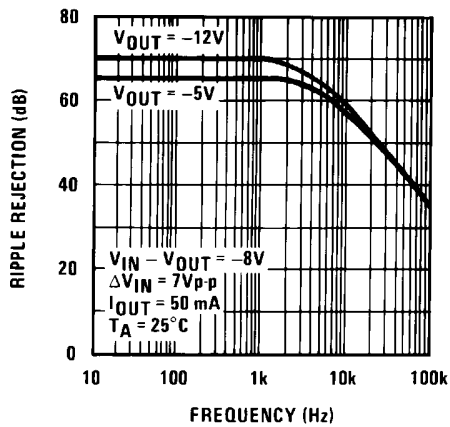
00774813

Dropout Voltage



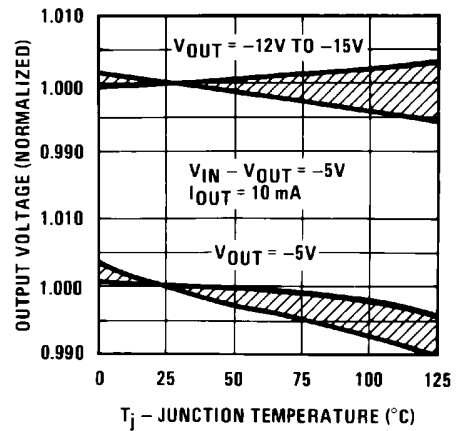
00774814

Ripple Rejection



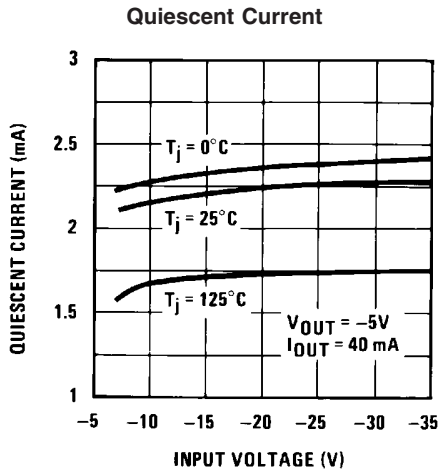
00774815

Output Voltage vs. Temperature (Normalized to 1V @ 25°C)

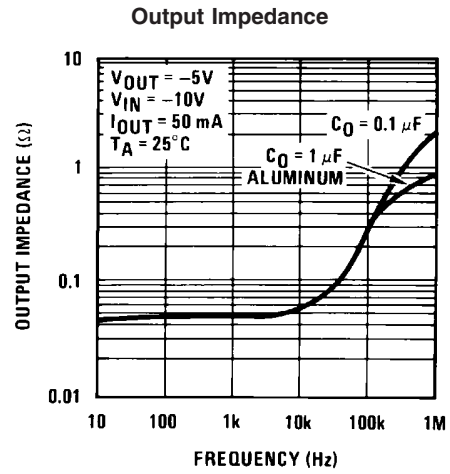


00774816

## Typical Performance Characteristics (Continued)

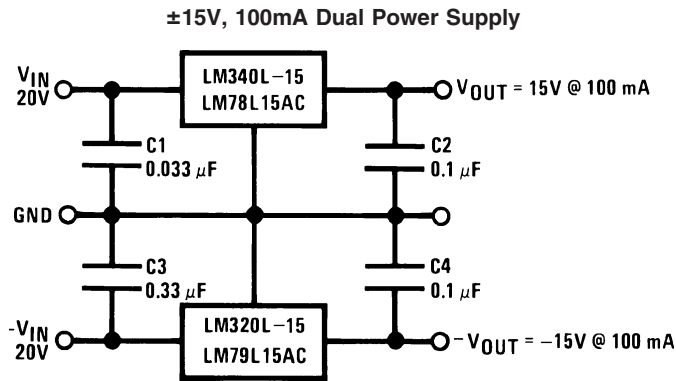


00774817



00774818

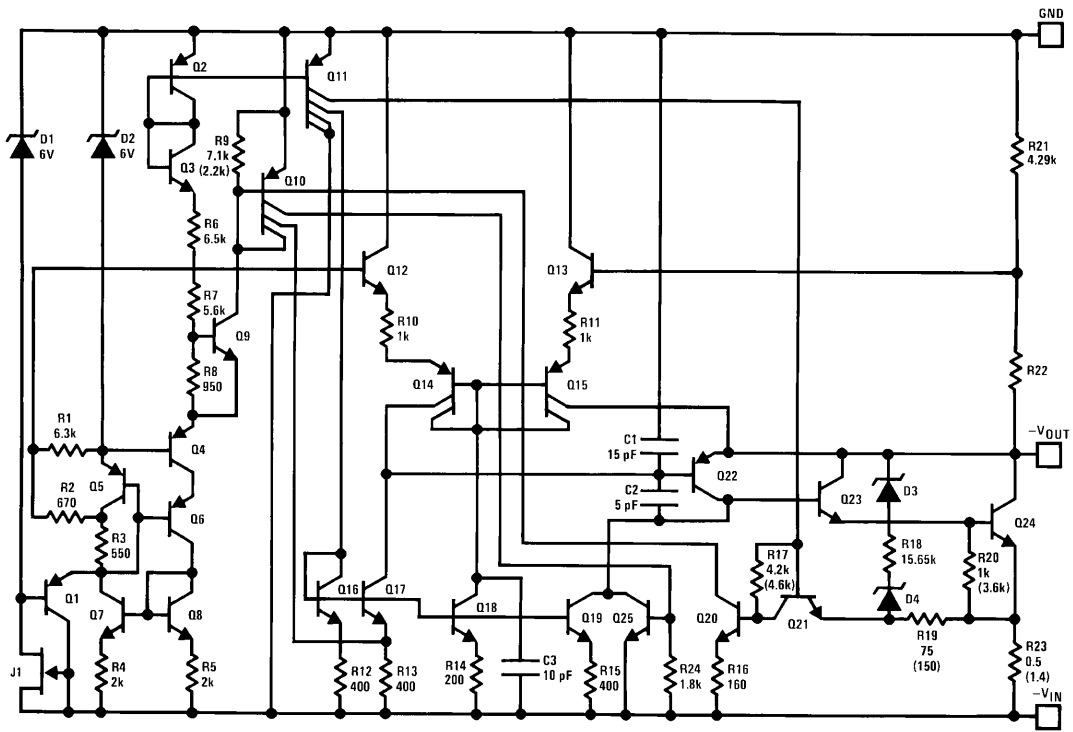
## Typical Applications



00774806

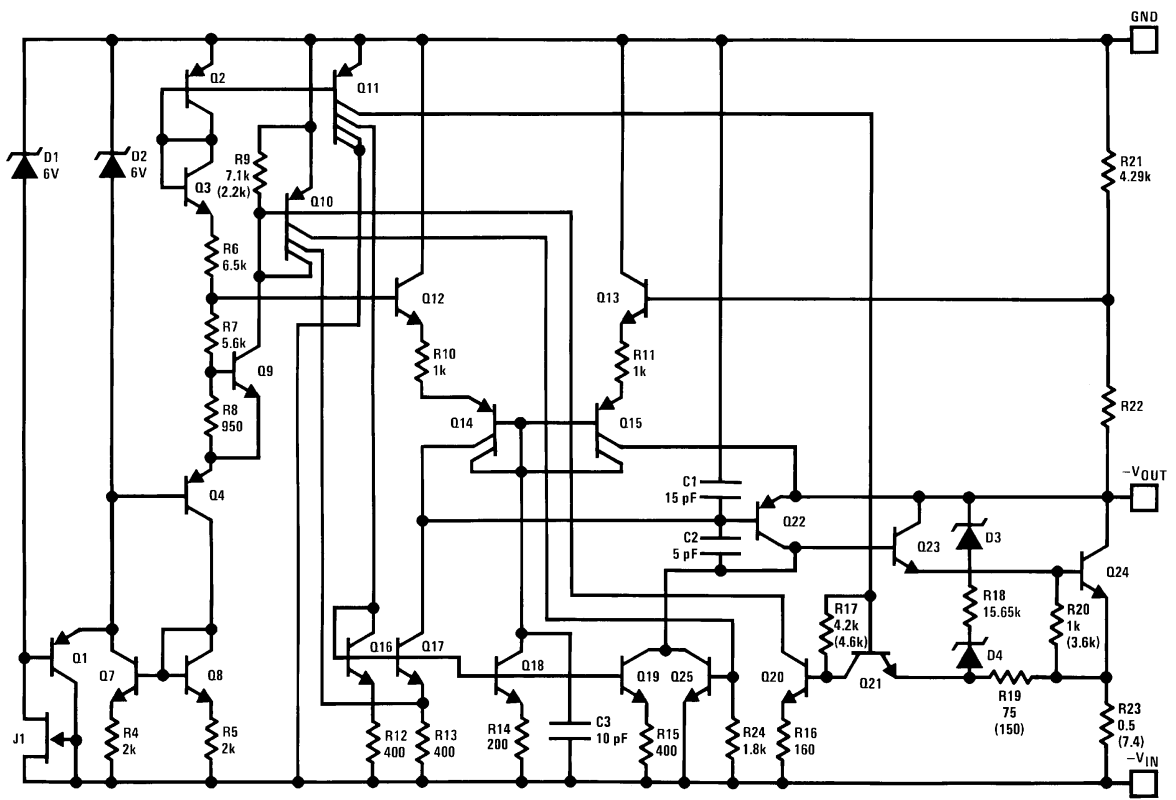
Schematic Diagrams

-5V



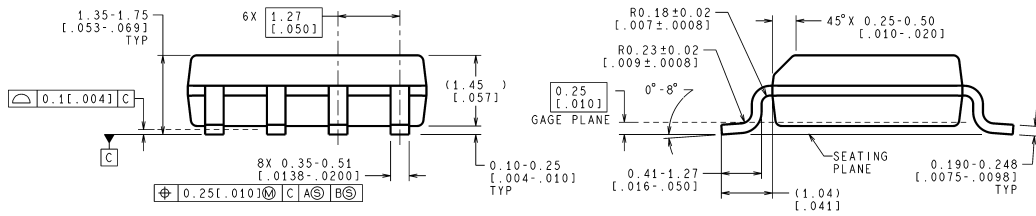
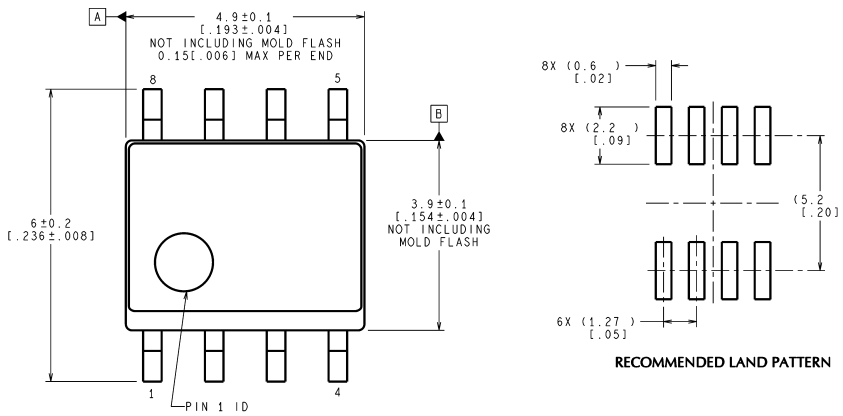
00774809

-12V and -15V



00774810

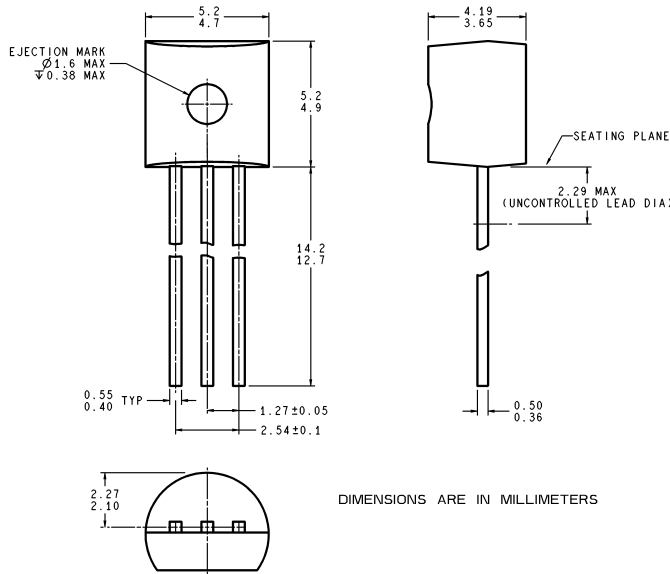
**Physical Dimensions** inches (millimeters) unless otherwise noted



CONTROLLING DIMENSION IS MILLIMETER  
VALUES IN [ ] ARE INCHES  
DIMENSIONS IN ( ) FOR REFERENCE ONLY

M08A (Rev K)

**SOIC Package (M)**  
**NS Package Number M08A**



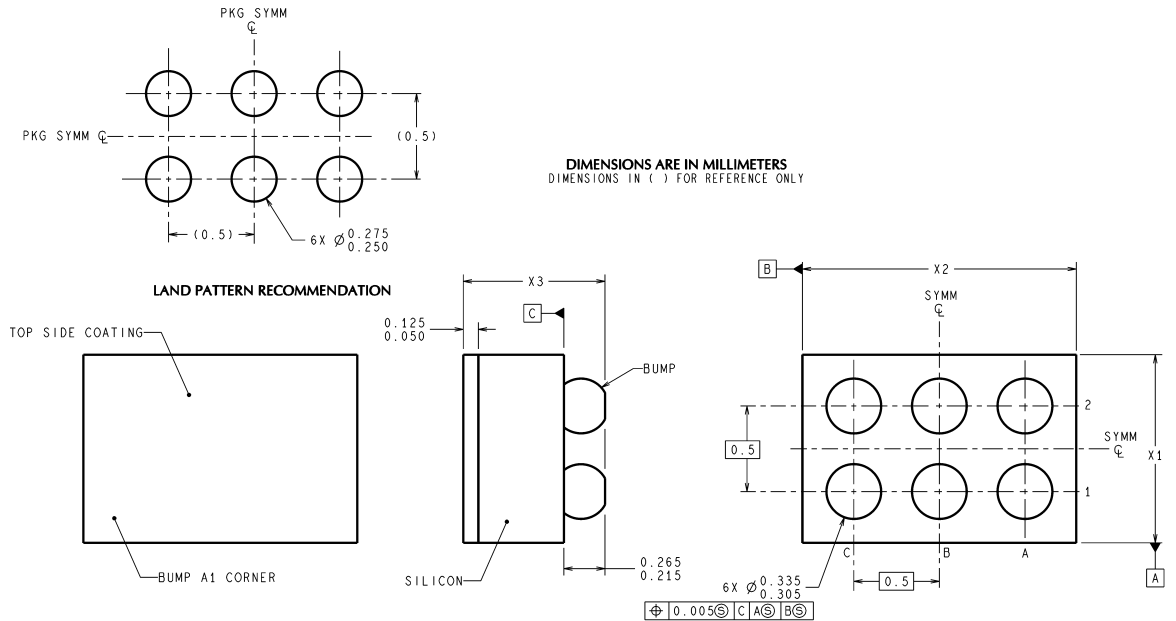
DIMENSIONS ARE IN MILLIMETERS

Z03A (Rev G)

**Molded Offset TO-92 (Z)**  
**NS Package Number Z03A**



**Physical Dimensions** inches (millimeters) unless otherwise noted (Continued)



TLA06XXX (Rev C)

NOTES: UNLESS OTHERWISE SPECIFIED

1. EPOXY COATING.
2. 63Sn/67Pb EUTECTIC BUMP.
3. RECOMMEND NON-SOLDER MASK DEFINED LANDING PAD.
4. PIN A1 ESTABLISHED BY LOWER LEFT CORNER WITH RESPECT TO TEXT ORIENTATION.
5. XXX IN DRAWING NUMBER REPRESENTS PACKAGE SIZE VARIATION WHERE X1 IS PACKAGE WIDTH, X2 IS PACKAGE LENGTH AND X3 IS PACKAGE HEIGHT.
6. REFERENCE JEDEC REGISTRATION MO-211, VARIATION BC.

**6-Bump micro SMD**  
**NS Package Number TLA06AMA**  
**X<sub>1</sub> = 1006µm X<sub>2</sub> = 1793µm X<sub>3</sub> = 600µm**

National does not assume any responsibility for use of any circuitry described, no circuit patent licenses are implied and National reserves the right at any time without notice to change said circuitry and specifications.

For the most current product information visit us at [www.national.com](http://www.national.com).

**LIFE SUPPORT POLICY**

NATIONAL'S PRODUCTS ARE NOT AUTHORIZED FOR USE AS CRITICAL COMPONENTS IN LIFE SUPPORT DEVICES OR SYSTEMS WITHOUT THE EXPRESS WRITTEN APPROVAL OF THE PRESIDENT AND GENERAL COUNSEL OF NATIONAL SEMICONDUCTOR CORPORATION. As used herein:

1. Life support devices or systems are devices or systems which, (a) are intended for surgical implant into the body, or (b) support or sustain life, and whose failure to perform when properly used in accordance with instructions for use provided in the labeling, can be reasonably expected to result in a significant injury to the user.
2. A critical component is any component of a life support device or system whose failure to perform can be reasonably expected to cause the failure of the life support device or system, or to affect its safety or effectiveness.

**BANNED SUBSTANCE COMPLIANCE**

National Semiconductor manufactures products and uses packing materials that meet the provisions of the Customer Products Stewardship Specification (CSP-9-111C2) and the Banned Substances and Materials of Interest Specification (CSP-9-111S2) and contain no "Banned Substances" as defined in CSP-9-111S2.

Leadfree products are RoHS compliant.

**National Semiconductor**  
**Americas Customer Support Center**  
 Email: [new.feedback@nsc.com](mailto:new.feedback@nsc.com)  
 Tel: 1-800-272-9959

**National Semiconductor**  
**Europe Customer Support Center**  
 Fax: +49 (0) 180-530 85 86  
 Email: [europe.support@nsc.com](mailto:europe.support@nsc.com)  
 Deutsch Tel: +49 (0) 69 9508 6208  
 English Tel: +44 (0) 870 24 0 2171  
 Français Tel: +33 (0) 1 41 91 8790

**National Semiconductor**  
**Asia Pacific Customer Support Center**  
 Email: [ap.support@nsc.com](mailto:ap.support@nsc.com)

**National Semiconductor**  
**Japan Customer Support Center**  
 Fax: 81-3-5639-7507  
 Email: [jpn.feedback@nsc.com](mailto:jpn.feedback@nsc.com)  
 Tel: 81-3-5639-7560