

The SP8713 is a switchable divide by 64/65/72 programmable divider which is guaranteed to operate up to 1100MHz. It will operate from a supply of 2.7V to 5.25V and requires typically 4.1mA (including the output current). It also features a power down facility for battery economy.

The RF inputs are internally biased and should be capacitively coupled to the signal source. The output is designed to interface with CMOS synthesisers, such as the NJ88C50.

FEATURES

- Operation to 1100MHz
- Very Low Power
- Single Supply Operation 2.7V to 5.25V
- Power Down Facility for Battery Economy
- Latched Modulus Control Inputs
- Push Pull Output Drive
- ESD Protection on All Pins†

APPLICATIONS

- Cellular Telephones
- Cordless Telephones
- Mobile Radio

† ESD precautions must be observed

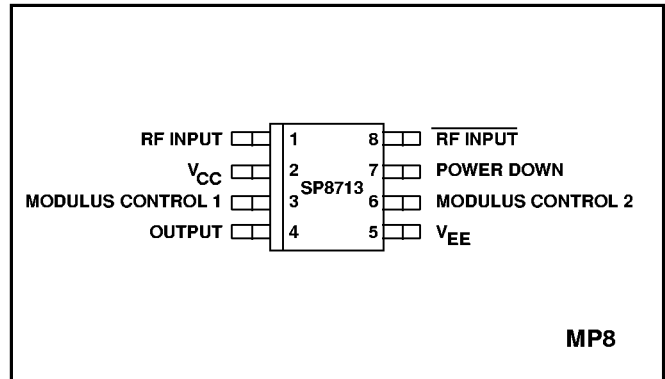


Fig. 1 Pin connections - top view

ORDERING INFORMATION

SP8713 IG MPAS Industrial Temperature Range
Miniature Plastic DIL Package

SP8713 IG MPAC As above supplied on Tape and Reel

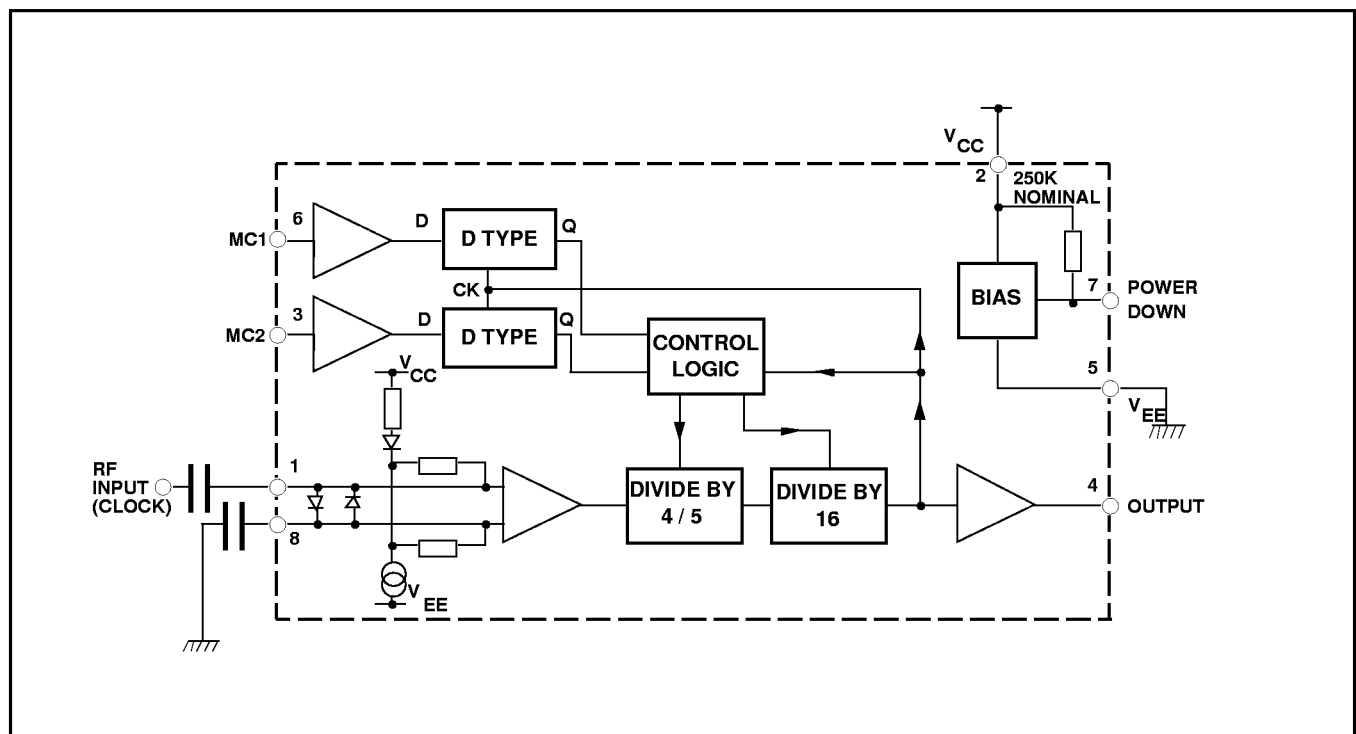


Fig. 2 Block diagram

SP8713

ABSOLUTE MAXIMUM RATINGS

| | | |
|--------------------------------|----------|------------------------|
| Supply voltage ($V_{EE}=0V$) | (note 1) | -0.5V to 7V |
| Control and RF inputs, | | |
| RF output ($V_{EE}=0V$) | (note 1) | -0.5V to $V_{CC}+0.5V$ |
| RF input current | (note 1) | 10mA |
| Operating temperature | | -40°C to +85°C |
| Storage temperature range | | -55°C to +150°C |
| Maximum junction temperature | | +150°C |

NOTE 1. Duration <2 minutes.

ELECTRICAL CHARACTERISTICS

Guaranteed over the following conditions (unless otherwise stated):

$V_{CC}=+2.7V$ to $+5.25V$ (with respect to V_{EE}), Output load (pin 4) = 10pF, $T_{amb} = -40^{\circ}C$ to $+85^{\circ}C$ (note 2)

| Characteristic | Value | | | Units | Conditions |
|--|--------------|------|--------------|---------|--|
| | Min. | Typ. | Max. | | |
| Supply current (note 3) | | 4.1 | 4.7 | mA | Power down input low |
| Supply current (note 3) | | 8 | 50 | μA | Power down input high |
| Power down high | $V_{CC}-0.5$ | | V_{CC} | V | |
| Power down low | 0 | | $V_{CC}-2.0$ | V | |
| Modulus control 1 high (note 4) | $0.6V_{CC}$ | | V_{CC} | V | Divide by 64 or 72 |
| Modulus control 1 low (note 4) | 0 | | $0.4V_{CC}$ | V | Divide by 65 or 72 |
| Modulus control 2 high (note 4) | $0.6V_{CC}$ | | V_{CC} | V | Divide by 72 |
| Modulus control 2 select low (note 4) | 0 | | $0.4V_{CC}$ | V | Divide by 64 or 65 |
| Max. sinewave input frequency | 1100 | | | MHz | See Figure 5 |
| Min. sinewave input frequency | | | 200 | MHz | See Figure 5 |
| Min. RF input voltage | | | 50 | mV RMS | RF input 200MHz to 1100MHz. See Figure 5 |
| Max. RF input voltage | 200 | | | mV RMS | RF input 200MHz to 1100MHz. See Figure 5 |
| Output level (pin 4) | 500 | 600 | | mV p-p | |
| Modulus set-up time, t_s (notes 5,6,8) | 20 | | | ns | RF input = 1GHz |
| Modulus hold time, t_h (notes 6,8) | | | 1 | ns | RF input = 1GHz |
| Power down time, t_{pd} (notes 7,8) | | | 10 | μs | See Figure 9 |
| Power down recovery time, t_{pu} (notes 7,8) | | | 6 | μs | See Figure 9 |

NOTES

- All electrical testing is performed at +85°C.
- Typical values are measured at +25°C and $V_{CC} = +5V$.
- Modulus Control and Ratio Select are high impedance inputs which can be driven directly by standard CMOS outputs.
- Modulus control is latched at the end of the previous cycle.
- See Figure 4.
- See Figure 8.
- These parameters are not tested but are guaranteed by design.

OPERATING NOTES

The RF inputs are biased internally and are normally coupled to the signal source with suitable capacitors.

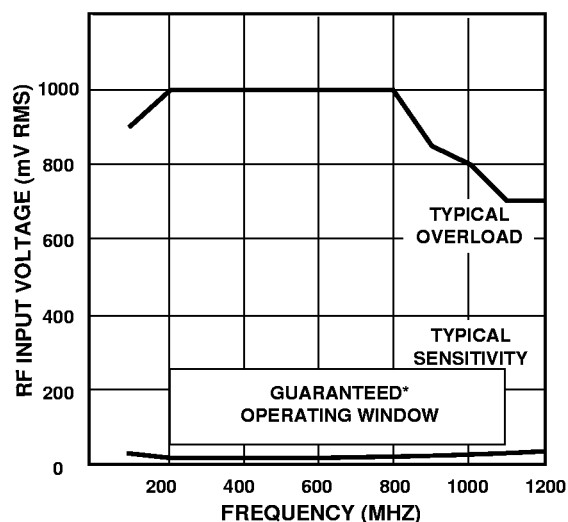
The output stage has a novel design and is intended to drive a CMOS synthesiser input. External pull-down resistors or circuits are not required. The SP8713 is not suitable for driving TTL or similar devices.

The device will operate down to DC frequencies for non-sinusoidal signals provided that the input slew rate is better than 100V/ μ s.

POWER DOWN (pin 7) is connected internally to a pull-up resistor. If the battery economy facility is not used, pin 7 should be connected to V_{EE} .

| Modulus Control 1 (Pin 3) | Modulus Control 2 (Pin 6) | Division Ratio |
|---------------------------|---------------------------|----------------|
| L | L | 65 |
| H | L | 64 |
| H | H | 72 |
| L | H | 72 |

Table 1 Truth table



* Tested as specified in table of Electrical Characteristics

Fig. 3 Typical input characteristics

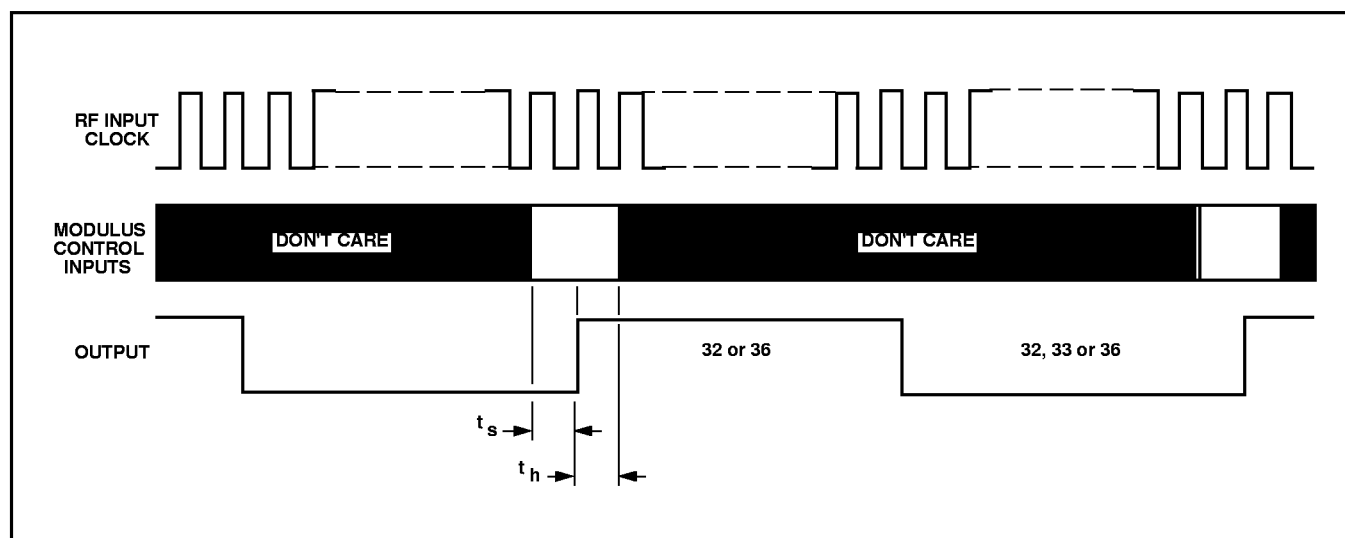


Fig. 4 Modulus control timing diagram

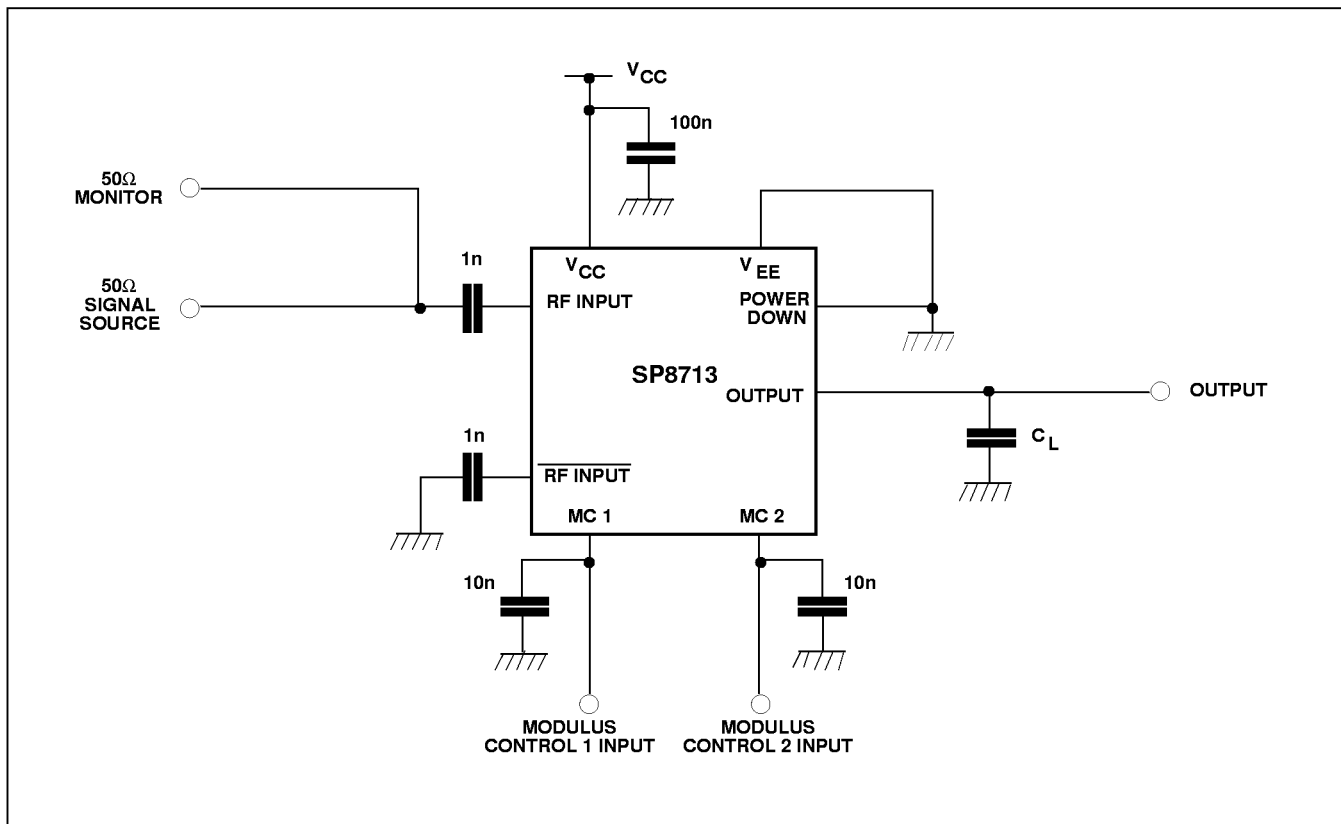


Fig. 5 Toggle frequency test circuit

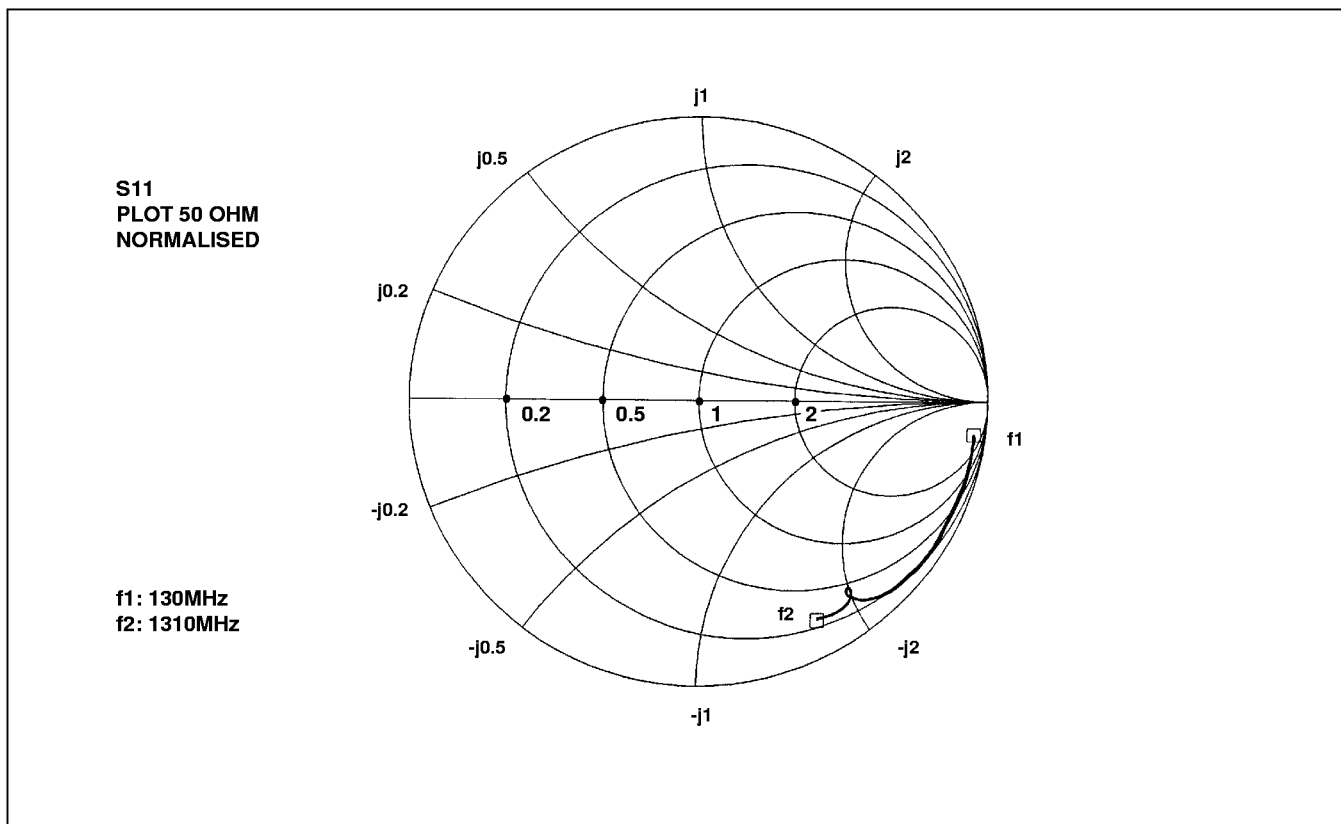


Fig. 6 Typical S11 parameter for pin 1. $V_{CC} = +5.0V$

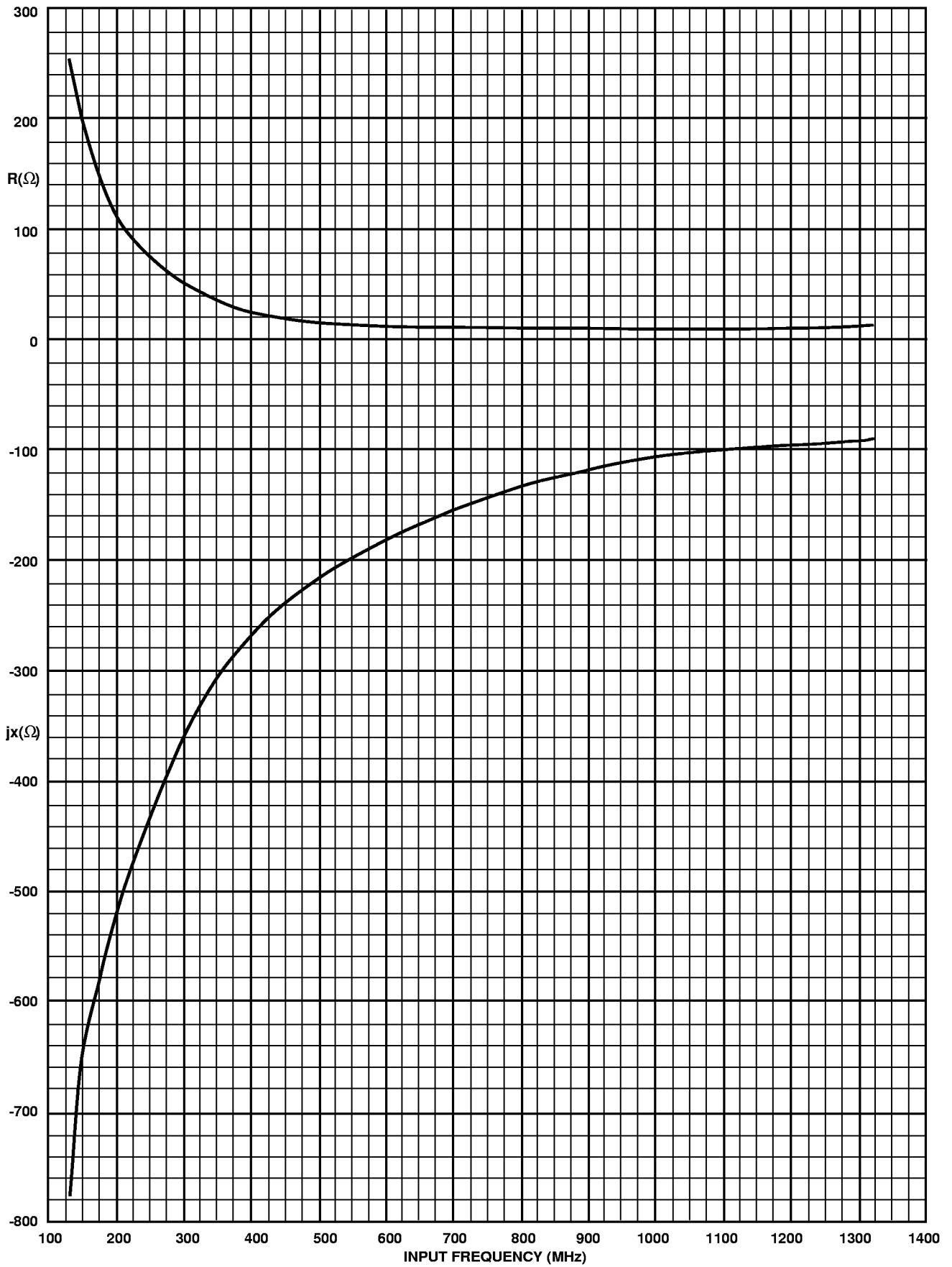


Fig. 7 Typical input impedance v. frequency

| FREQ-MHZ | R (Ω) | jx (Ω) |
|----------|----------------|-----------------|
| 130.000 | 255.068 | -733.538 |
| 153.600 | 153.362 | -688.623 |
| 177.200 | 153.330 | -583.339 |
| 200.800 | 115.187 | -545.839 |
| 224.400 | 88.649 | -482.377 |
| 248.000 | 80.815 | -441.798 |
| 271.600 | 71.050 | -411.502 |
| 295.200 | 56.207 | -369.645 |
| 318.800 | 39.526 | -346.620 |
| 342.400 | 41.338 | -323.129 |
| 366.000 | 38.779 | -304.804 |
| 389.600 | 39.210 | -280.556 |
| 413.200 | 23.809 | -269.674 |
| 436.800 | 21.221 | -255.279 |
| 460.400 | 27.545 | -245.161 |
| 484.000 | 23.333 | -234.680 |
| 507.600 | 22.227 | -224.572 |
| 531.200 | 19.931 | -211.375 |
| 554.800 | 17.767 | -203.241 |
| 578.400 | 17.636 | -194.613 |
| 602.000 | 14.607 | -186.545 |
| 625.600 | 12.479 | -182.049 |
| 649.200 | 13.075 | -174.839 |
| 672.800 | 12.891 | -168.320 |
| 696.400 | 12.583 | -160.468 |
| 720.000 | 11.250 | -156.267 |
| 743.600 | 10.213 | -149.642 |
| 767.200 | 10.187 | -145.328 |
| 790.800 | 11.269 | -143.144 |
| 814.400 | 11.081 | -137.557 |
| 838.000 | 10.509 | -132.750 |
| 861.600 | 10.063 | -129.254 |
| 885.200 | 10.172 | -124.495 |
| 908.800 | 10.745 | -120.568 |
| 932.400 | 10.841 | -118.100 |
| 956.000 | 10.884 | -113.395 |
| 979.600 | 12.260 | -109.552 |
| 1003.20 | 12.984 | -105.975 |
| 1026.80 | 14.508 | -103.110 |
| 1050.40 | 16.625 | -99.886 |
| 1074.00 | 19.260 | -98.149 |
| 1097.60 | 22.799 | -98.605 |
| 1121.20 | 23.285 | -99.907 |
| 1144.80 | 21.149 | -100.925 |
| 1168.40 | 18.956 | -99.639 |
| 1192.00 | 16.434 | -98.425 |
| 1215.60 | 14.377 | -95.033 |
| 1239.20 | 13.743 | -92.553 |
| 1262.80 | 12.711 | -89.249 |
| 1286.40 | 12.776 | -86.081 |
| 1310.00 | 12.598 | -82.581 |

Table.2 Coefficients for Fig.7

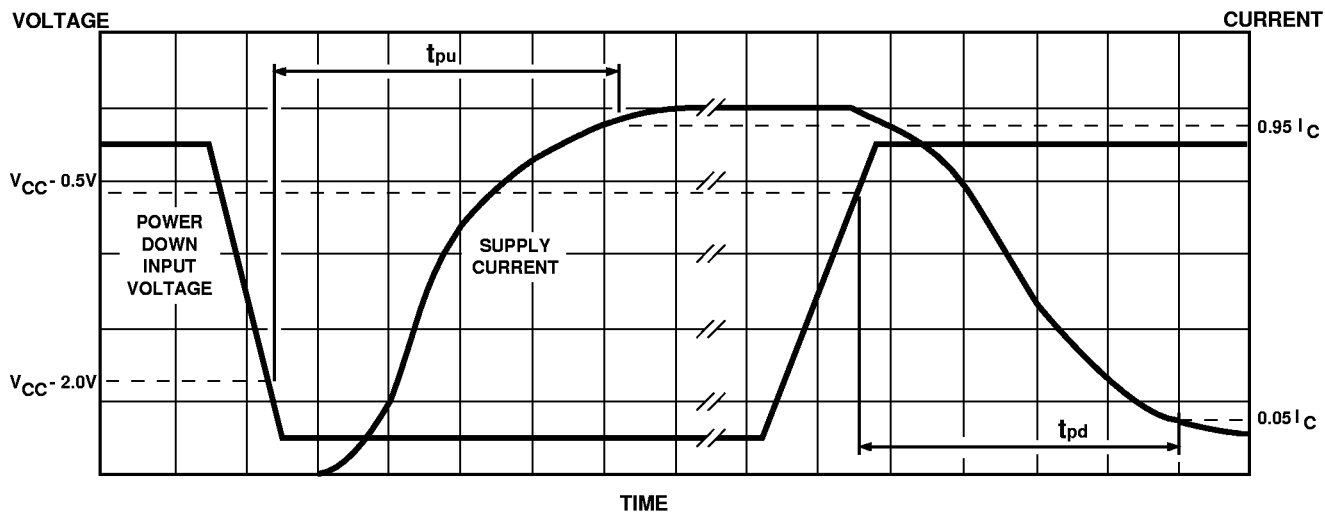


Fig. 8 Power up and power down

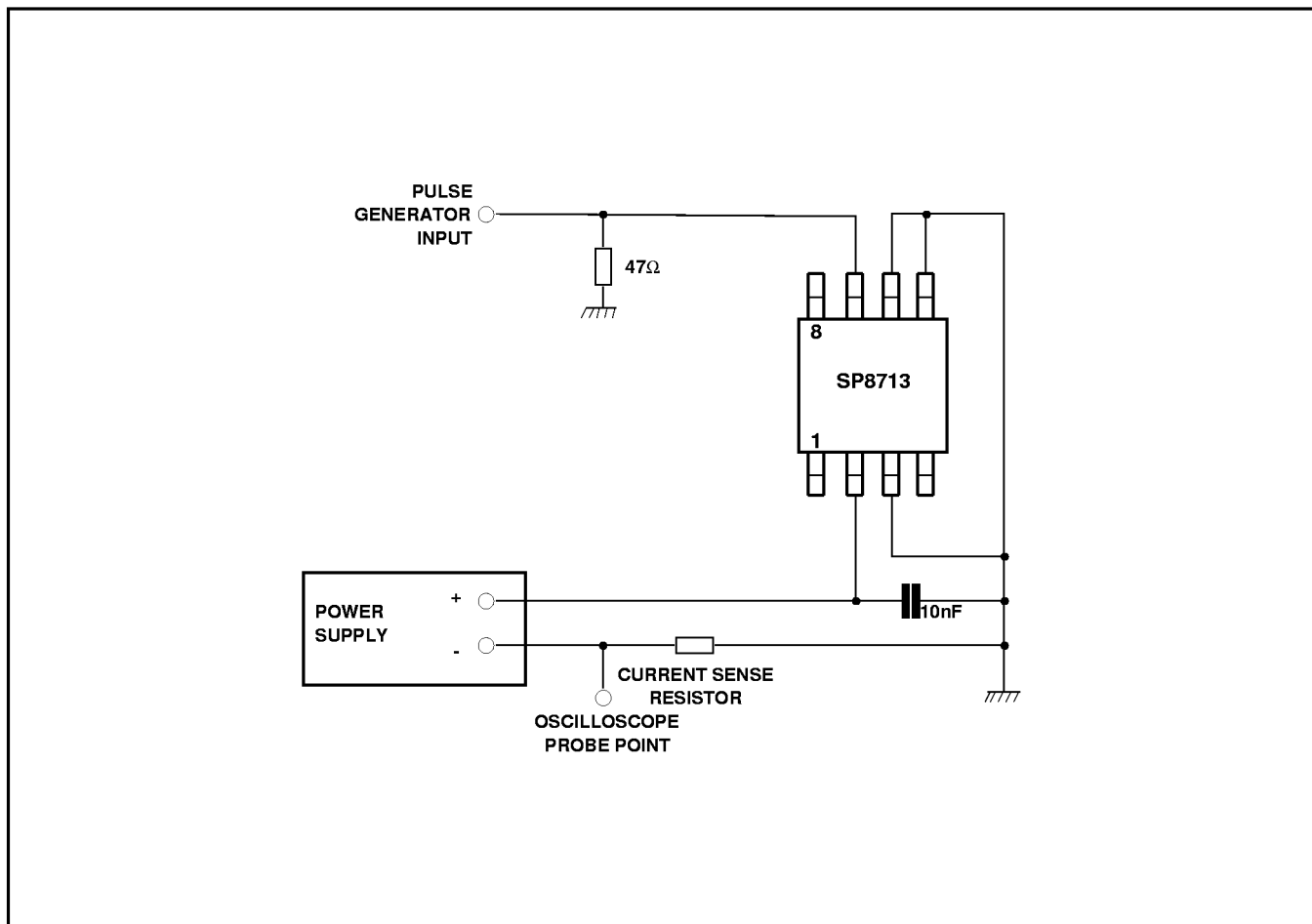
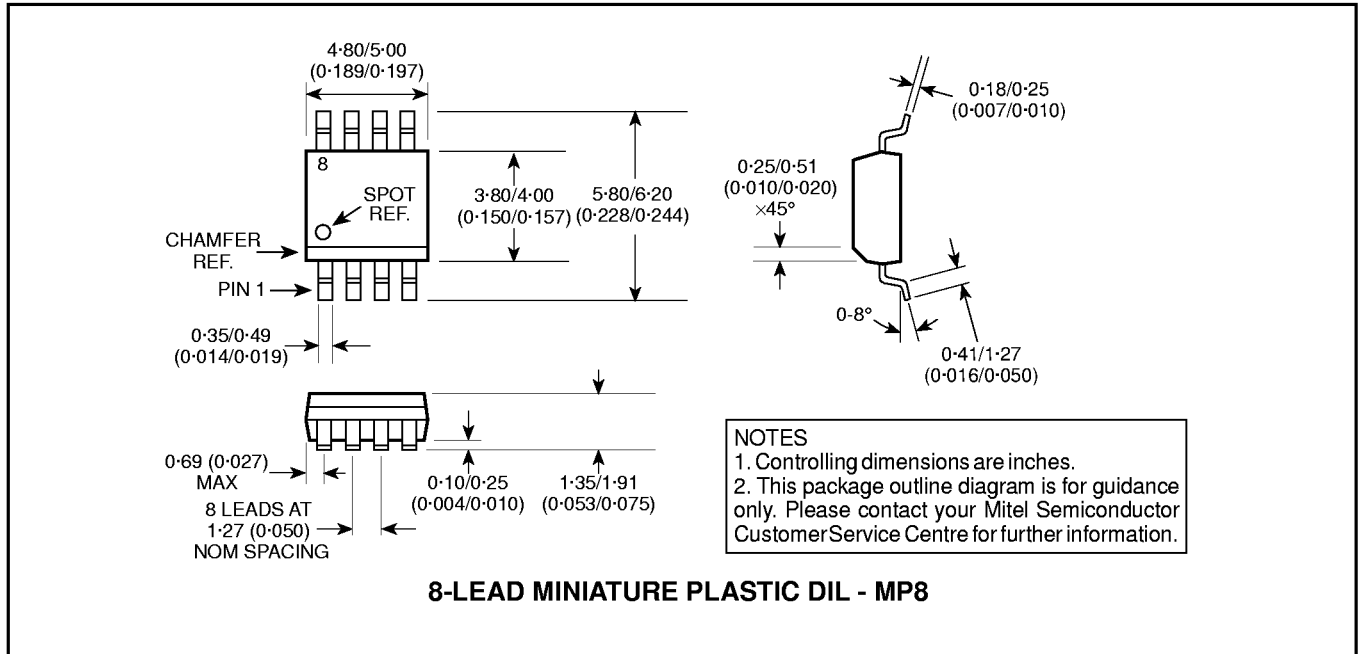


Fig. 9 Power-down time test circuit

PACKAGE DETAILS

Dimensions are shown thus: mm (in). For further package information, please contact your local Customer Service Centre.



HEADQUARTERS OPERATIONS

MITEL SEMICONDUCTOR
 Cheney Manor, Swindon,
 Wiltshire SN2 2QW, United Kingdom.
 Tel: (01793) 518000
 Fax: (01793) 518411

MITEL SEMICONDUCTOR
 1500 Green Hills Road,
 Scotts Valley, California 95066-4922
 United States of America.
 Tel (408) 438 2900
 Fax: (408) 438 5576/6231

Internet: <http://www.gpsemi.com>

CUSTOMER SERVICE CENTRES

- **FRANCE & BENELUX** Les Ulis Cedex Tel: (1) 69 18 90 00 Fax : (1) 64 46 06 07
- **GERMANY** Munich Tel: (089) 419508-20 Fax : (089) 419508-55
- **ITALY** Milan Tel: (02) 6607151 Fax: (02) 66040993
- **JAPAN** Tokyo Tel: (03) 5276-5501 Fax: (03) 5276-5510
- **KOREA** Seoul Tel: (2) 5668141 Fax: (2) 5697933
- **NORTH AMERICA** Scotts Valley, USA Tel: (408) 438 2900 Fax: (408) 438 5576/6231
- **SOUTH EAST ASIA** Singapore Tel:(65) 3827708 Fax: (65) 3828872
- **SWEDEN** Stockholm Tel: 46 8 702 97 70 Fax: 46 8 640 47 36
- **TAIWAN, ROC** Taipei Tel: 886 2 25461260 Fax: 886 2 27190260
- **UK, EIRE, DENMARK, FINLAND & NORWAY**
 Swindon Tel: (01793) 726666 Fax : (01793) 518582

These are supported by Agents and Distributors in major countries world-wide.

© Mitel Corporation 1998 Publication No. DS3934 Issue No. 4.0 November 1997

TECHNICAL DOCUMENTATION – NOT FOR RESALE. PRINTED IN UNITED KINGDOM

This publication is issued to provide information only which (unless agreed by the Company in writing) may not be used, applied or reproduced for any purpose nor form part of any order or contract nor to be regarded as a representation relating to the products or services concerned. No warranty or guarantee express or implied is made regarding the capability, performance or suitability of any product or service. The Company reserves the right to alter without prior notice the specification, design or price of any product or service. Information concerning possible methods of use is provided as a guide only and does not constitute any guarantee that such methods of use will be satisfactory in a specific piece of equipment. It is the user's responsibility to fully determine the performance and suitability of any equipment using such information and to ensure that any publication or data used is up to date and has not been superseded. These products are not suitable for use in any medical products whose failure to perform may result in significant injury or death to the user. All products and materials are sold and services provided subject to the Company's conditions of sale, which are available on request.