

Switch Mode Lithium-Ion Battery Charger Controller

PRELIMINARY

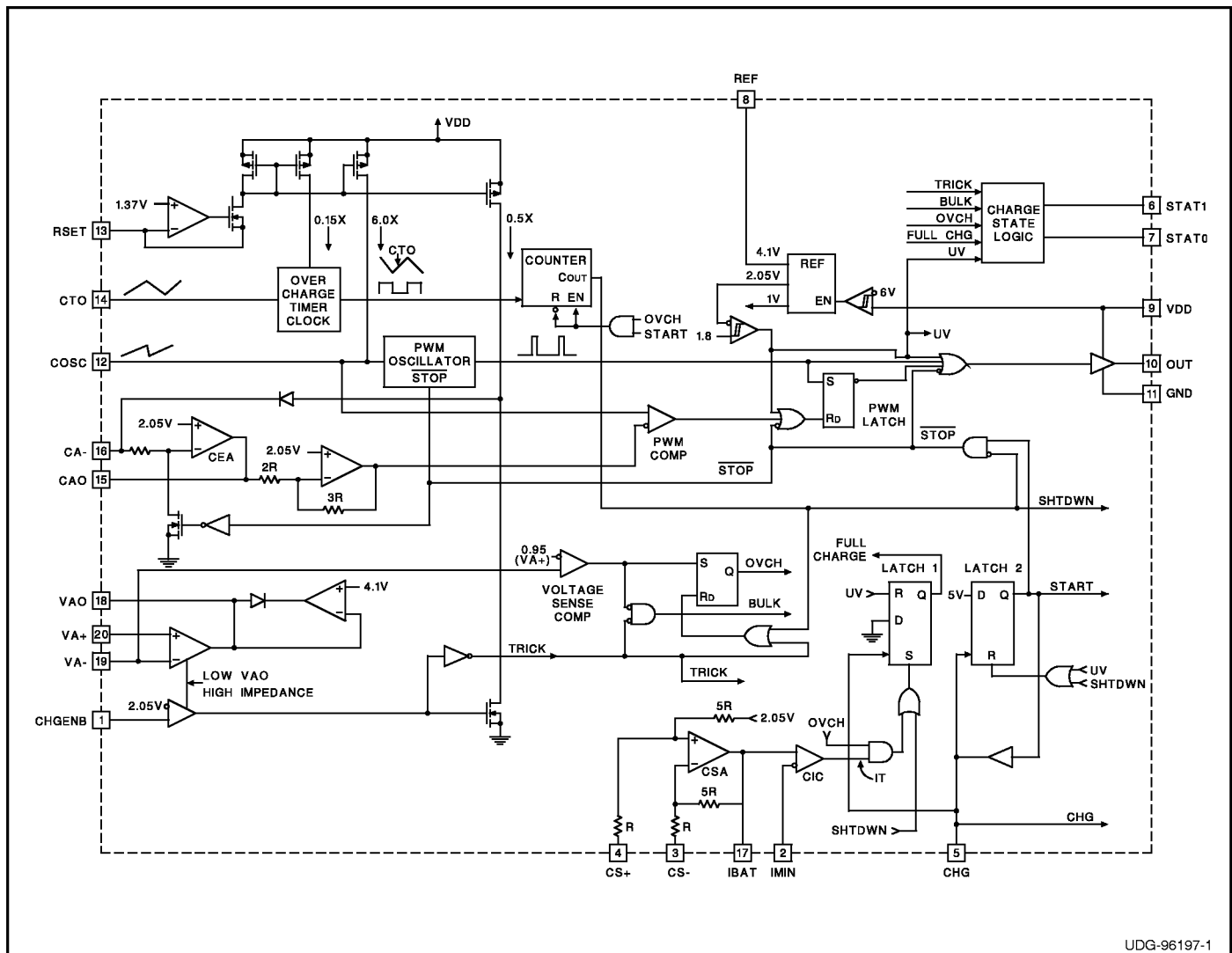
FEATURES

- Precision 4.1V Reference (1%)
- High Efficiency Battery Charger Solution
- Average Current Mode Control from Trickle to Over Charge
- Resistor Programmable Charge Currents
- Internal State Logic Provides Four Charge States
- Programmable Over Charge Time
- Fully Differential Switch Mode Current Sensing
- CHG Pin Initiates Charging

DESCRIPTION

The UCC3956 family of Switch Mode Lithium-Ion Battery Charger Controllers accurately control lithium-ion battery charging with a highly efficient average current control loop. This chip is designed to work as a stand alone charger controller for a single cell or multiple cell battery pack. This chip combines charge state logic and average current PWM control circuitry with a 14 bit counter to program the over charge time. The charge state logic indicates current or voltage control depending on the charge state. The chip includes undervoltage lockout circuitry to insure sufficient supply voltage is present before output switching starts. Additional circuit blocks include a differential current sense amplifier, a 1% voltage reference, voltage and current error amplifiers, PWM latch, charge state decode bits, and a 500mA output driver.

BLOCK DIAGRAM



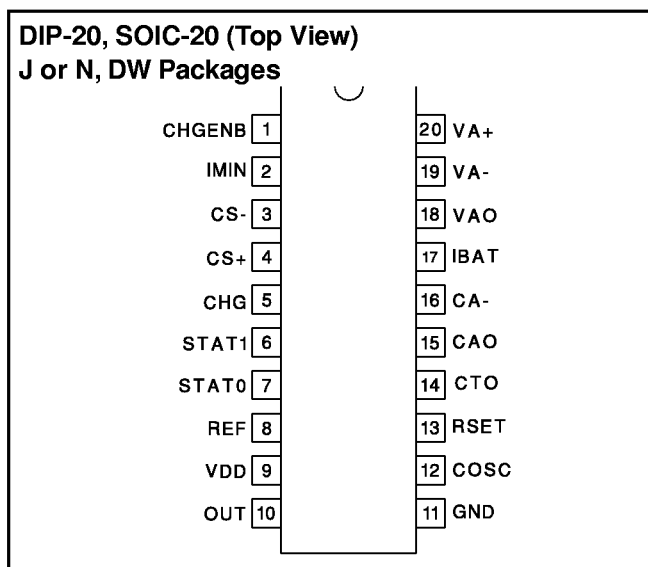
UDG-96197-1

ABSOLUTE MAXIMUM RATINGS

Supply Voltage VDD, OUT	20V
Output Current Sink	
Continuous	120mA
Peak	600mA
Output Current Source	
Continuous	120mA
Peak	600mA
CS+, CS-	
Voltage	-0.5 to VDD
Current with CS+, CS- less than -0.5	50mA
Remaining Pin Voltages	-0.3V to 6V
Storage Temperature	-65°C to +150°C
Junction Temperature	-55°C to +150°C
Lead Temperature (Soldering, 10 sec.)	+300°C

Currents are positive into, negative out of the specified terminal. Consult Packaging Section of Databook for thermal limitations and considerations of packages.

CONNECTION DIAGRAM



ELECTRICAL CHARACTERISTICS: Unless otherwise specified, TA = -40°C to +85 for UCC2956 and 0°C to +70°C for UCC3956, COSC = 500pF, RSET = 70k, CTO = 169nF, VDD = 12V, TA = TJ.

PARAMETER	TEST CONDITIONS	MIN	TYP	MAX	UNIT
Current Sense Amplifier (CSA)					
DC Gain	CS- = 0, CS+ = -50mV and CS+ = -250mV	4.9	5	5.1	V/V
	CS+ = 0, CS- = 50mV and CS- = 250mV	4.9	5	5.1	V/V
CAO	CS+ = CS- = 0V	1.99	2.05	2.11	mV
CMRR	VCM = 1.1V to 18V, VDD = 18V	50	65		dB
VoL	CS+ = -0.2V, CS- = 0.5V, IO = 1mA		0.3		V
VoH	CS+ = 0.5V, CS- = -0.2V, IO = -500µA	3.7	4.1	4.4	V
Output Source Current	IBAT = 3V, VID = 700mV	-500			µA
Output Sink Current	IBAT = 1V, VID = -700mV	500			µA
3dB Bandwidth	VCM = 0V, CS+ - CS- = 100mV (Note 2)	0.1	3		MHz
Current Error Amplifier (CEA)					
IB	8V < VDD < 18V, CHGENB = REF		0.1	0.5	µA
CA- Voltage	8V < VDD < 18V, CAO = CA-	1.99	2.05	2.11	V
AVO		60	90		dB
GBW	TJ = 25°C, F = 100kHz	1	3		MHz
VoL	IO = 250µA, CA- = 3V		0.5		V
VoH	IO = -1mA, CA- = 2V	3.7	4.1	4.4	V
ICA-, Itrck_control	VCHGENB = GND	8	10	12	µA
Voltage Error Amplifier (VEA)					
IB	Total Bias Current; Regulating Level		0.5	3	µA
VIO	8V < VDD < 18V, -0.2 < VCM < 5V			10	mV
AVO		60	90		dB
GBW	TJ = 25°C, F = 100kHz	0.75	3		MHz
VoL	IO = 500µA, VA- = 3.8V		0.2	1	V
VoH	IO = -500µA, VA- = 4.4V	3.8	4.1	4.3	V
VAO Leakage	VCHGENB = GND, STAT0 = 0 and STAT1 = 0, VAO = 2.05V	-1		1	µA
Pulse Width Modulator					
Maximum Duty Cycle	CAO = 0.5V	85	92	100	%
Modulator Gain	CAO = 1.7V, 2.1V	57	64	71	%/V

ELECTRICAL CHARACTERISTICS: Unless otherwise specified, $T_A = -40^\circ\text{C}$ to $+85^\circ\text{C}$ for UCC2956 and 0°C to $+70^\circ\text{C}$ for UCC3956, $\text{COSC} = 500\text{pF}$, $\text{RSET} = 70\text{k}$, $\text{CTO} = 169\text{nF}$, $\text{VDD} = 12\text{V}$, $T_A = T_J$.

PARAMETER	TEST CONDITIONS	MIN	TYP	MAX	UNIT
PWM Oscillator (OSC)					
Frequency	$7\text{V} < \text{VDD} < 18\text{V}$	90	100	110	kHz
Over Charge Timer (OCT)					
Frequency	$7\text{V} < \text{VDD} < 18\text{V}$ (Note 1)	4.65	5	5.35	Hz
Reference					
Initial Accuracy	$T_J = 25^\circ\text{C}$	4.06	4.1	4.14	V
Accuracy	$0 < T_J < 70^\circ\text{C}$, $\text{VDD} = 8\text{V}$ to 18V	4.05	4.1	4.15	V
Load Regulation	$0 < I_O < 2\text{mA}$		3	15	mV
Accuracy	$-40^\circ\text{C} < T_J < 85^\circ\text{C}$, $\text{VDD} = 8\text{V}$ to 18V	4.03	4.1	4.17	V
Short Circuit I	$\text{REF} = 0\text{V}$	8	20	30	mA
Charge Enable Comparator (CEC)					
Threshold Voltage		1.9	2.05	2.15	V
Input Bias Current		-0.5	-0.2		μA
Voltage Sense Comparator (VSC)					
Threshold Voltage	Volts below $\text{VA}+$	50	125	200	mV
Charge Current Comparator (CIC)					
Threshold Voltage	$\text{CS}+ = \text{CS}- = 0$, Function of $\text{IBAT} = 2.05\text{V}$	2	2.05	2.1	V/V
Input Bias Current	Total Bias Current; Regulating Level	-0.5	-0.2		μA
Output Stage					
V_{OL}	$I_O = 10\text{mA}$		0.1	0.3	V
V_{OH} , Volts Below VDD	$I_O = -10\text{mA}$		0.1	0.5	V
Rise Time	$\text{C}_{OUT} = 1\text{nF}$		30	70	ns
Fall Time	$\text{C}_{OUT} = 1\text{nF}$		30	70	ns
STAT0 and STAT1 Open Drain Outputs					
Maximum Sink Current	$\text{V}_{OUT} = 12\text{V}$	15	30		mA
V_{OL}	$I_{OUT} = 1\text{mA}$		0.1	0.2	V
Charge Control (CHG)					
Threshold Voltage		1.5	1.8	2.1	V
Charge Pin Pull Down Resistance			3.0	5.0	$\text{k}\Omega$
UVLO Section					
Turn-on Threshold		6.0	6.5	6.75	V
Hysteresis		100	150	400	mV
IDD					
IDD (Run)			5	8	mA
IDD (UVLO)	$\text{VDD} = 5\text{V}$		0.25	0.75	mA

PIN DESCRIPTIONS

CA-: The inverting input to the current error amplifier.

CAO: The output of the current error amplifier and inverting input of the PWM comparator. This pin is driven high during shutdown.

CS-, **CS+**: The inverting and non-inverting inputs to the current sense amplifier. This amplifier has a fixed gain of 5.

CHG: A rising edge triggered input pin that indicates charging. Once the internal 14 bit timer has timed out the chip enters its shutdown charge state. At this point CHG

is pulled low by an internal buffer. Another low to high transition is required to reset the timer and restart charging.

CHGENB: The input to a comparator that detects when the battery voltage is low and places the charger in trickle charge. The charge enable comparator forces the output of the voltage error amplifier to a high impedance state while forcing a fixed $10\mu\text{A}$ current into the CA- to set the trickle charge.

COSC: The oscillator ramp pin which has a capacitor (COSC) to ground. The ramp oscillates between 0.8V to 3.2V and the frequency is determined by:

PIN DESCRIPTIONS (cont.)

$$\text{Frequency} = \frac{3.475}{(\text{COSC} + 20\text{pF}) \cdot \text{RSET}}$$

A rising edge on CHG initiates the oscillator.

CTO: The slow oscillator ramp pin which is used to generate a clock signal for the 14 bit timer to program the over charge time. A capacitor to ground is charged and discharged with equal currents at a frequency programmed between 0.75Hz to 5Hz. The ramp oscillates between 1.0V to 3.0V and the frequency is determined by:

$$\text{Frequency} = \frac{0.06}{\text{CTO} \cdot \text{RSET}}$$

The oscillator operates only while in overcharge.

GND: The reference point for the internal reference, all thresholds, and the return for the remainder of the device.

IBAT: The output of the current sense amplifier.

IMIN: The minimum charge current programming pin is provided to program an optional charge termination in addition to the programmable timer.

OUT: The output of the PWM driver.

REF: The 4.1V precision reference which should be bypassed with a 0.1µF capacitor.

RSET: This pin programs the charge current for the oscillator ramp. The oscillator charge current is determined by:

$$\frac{1.37\text{V}}{\text{RSET}}$$

The trickle control current (Itrck_control) is determined by:

$$\frac{0.68\text{V}}{\text{RSET}}$$

STAT0, STAT1: CMOS open drain binary output decode pins indicating the four different charge states. The maximum high voltage sense comparator.

VA-: The inverting input to the voltage error amplifier that is used as a battery sense input. It is also the input to the voltage sense comparator. The bulk charge state is completed and over charge state is initiated when VA- reaches 95% of VA+.

VA+: The non-inverting input to the voltage error amplifier that is used as the battery charge reference voltage.

VAO: The output of the voltage error amplifier. The upper output clamp of this amplifier is 4.1V.

VDD: The input voltage of the chip. This chip is operational between 6V and 18V and should be bypassed with a 0.1µF capacitor.

CHARGE STATE DECODE CHART

	STAT1	STAT0	
Trickle Charge	0	0	CHGENB < 2.05V
Bulk Charge	0	1	VA- < 95% VA+ and CHGENB > 2.05V
Over Charge	1	0	VA- > 95% VA+ and VIBAT < VIMIN
Over Charge (Top Off)	1	1	VIBAT > VIMIN

APPLICATION INFORMATION

The UCC3956 contains all the necessary control functions for implementing an efficient switch mode Lithium-Ion battery charger. Lithium-Ion batteries are rapidly becoming the battery of choice for rechargeable portable and lap top products. When compared to NiCd, NiMH, and Lead Acid batteries, Lithium-Ion offer less weight and volume for the same energy. Lithium-Ion batteries do not suffer from the memory effect found in NiCd batteries. This effect, caused by not completely discharging and charging a battery, will reduce battery capacity over several charge cycles. Because Lithium-Ion batteries have a high average cell voltage of around 3.6V, they can often replace 2 to 3 Nickel based cells.

The advantages that Lithium-Ion batteries offer come at the cost of a wide operating voltage. Near zero capacity,

the cell will typically have a voltage of 2.5V. A fully charged cell will typically have a voltage of 4.1V. Unlike many so called “smart” or “universal” chargers, the UCC3956 is optimized for Lithium-Ion characteristics. In order to restore capacity quickly, the chip features both constant current and constant voltage modes of operation. A programmable over charge time, provided by the UCC3956 timer, allows the charger to predictably restore 100% capacity to the battery.

Charger Operation

When CHG is transitioned from a low to high logic level, the chip will cycle through several charge states. If the battery voltage is severely depleted, the charger will begin in a low current trickle charge state. When the bat-

APPLICATION INFORMATION (cont.)

tery voltage is above a user set threshold, the charger will initiate a constant current bulk charge state. Once the battery reaches 95% of it's final voltage, the charger will enter an over charge state. During the over charge state, the converter will transition from a constant current to a constant voltage mode of operation. Figure 2 shows typical current, voltage, and capacity levels of a Lithium-Ion battery during a complete charge cycle.

A Block Diagram of the UCC3956 is shown on the first page of the data sheet, while Figure 1 shows a typical application circuit for a Buck derived switch mode charger. The UCC3956 can be used for charging a single cell or multiple cells in series. If more than two cells are stacked in series, however, a level shifting gate drive will be needed to operate the buck switch. The application circuit charges a 1200mAh 2 cell stack at a 1C rate.

Setting the Oscillator Frequency

The frequency of operation for the converter is set by picking values for RSET and COSC.

$$f_{OSC} = \frac{3.475}{(COSC + 20pF) \cdot RSET}$$

The UCC3956 is capable of operating at frequencies higher than 200kHz. However, the actual operating frequency of the buck converter will ultimately be determined by the usual tradeoffs of size, cost and efficiency. The application circuit frequency is set at 100kHz with COSC = 180pF and RSET = 162k.

Trickle Charge State

When the battery's voltage is below a predetermined threshold, the battery is either deeply discharged or has shorted cells. The trickle charge state offers a low charging current to bring the battery up above zero capacity. In the case of shorted cells, the trickle charge state prevents the charger from delivering high currents during this fault condition. Stacking several cells makes the detection of a shorted cell more difficult.

For Lithium-Ion batteries, the trickle charge threshold is typically set to a value around 2.5V per cell (this corresponds to near zero capacity). When the cell voltage is below the threshold, only a trickle current will be applied to the battery. The threshold is established by programming CHGENB to 2.05V when the battery (or stack) voltage is at the threshold. Referring to the application circuit

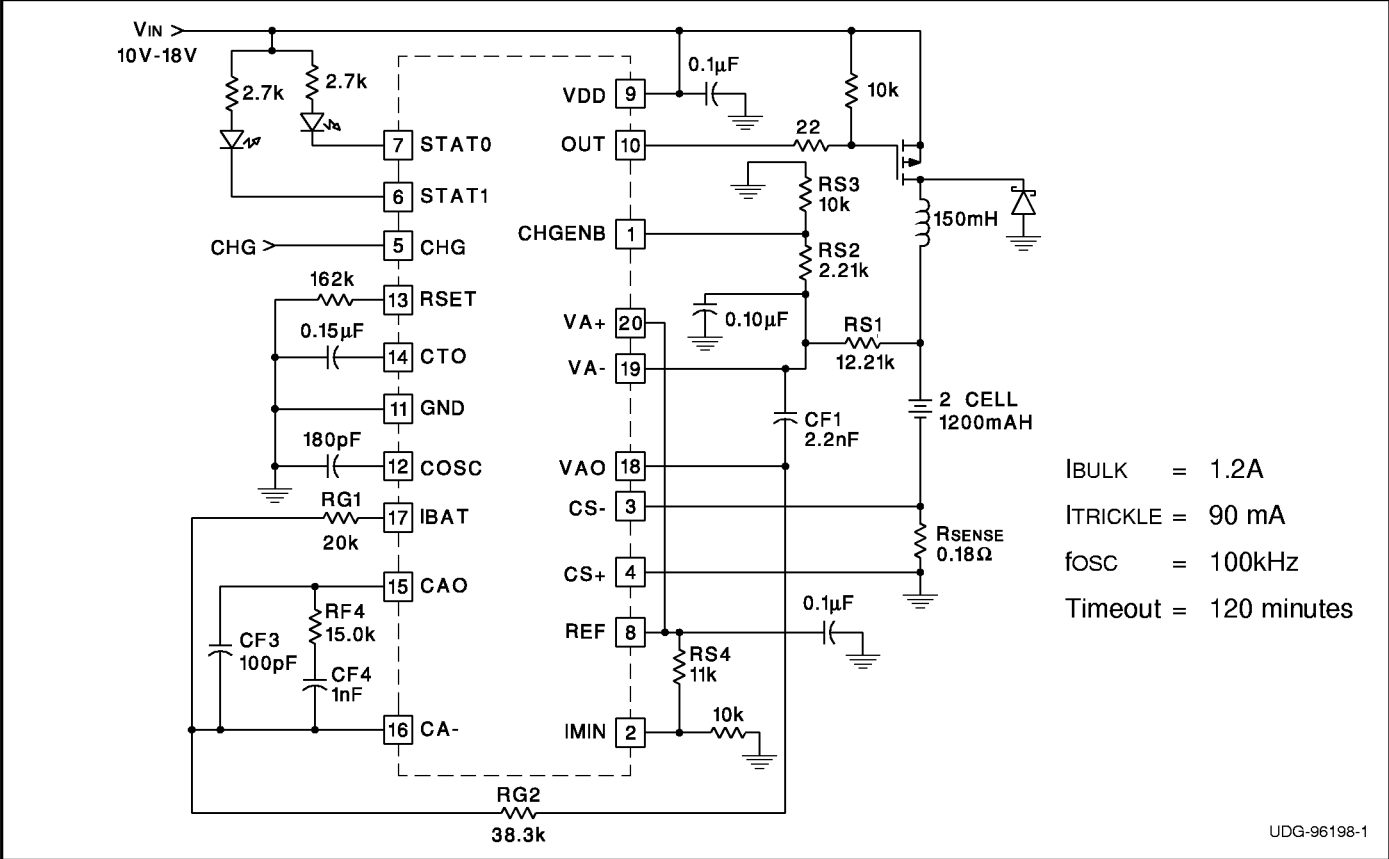


Figure 1. Typical Application Circuit

APPLICATION INFORMATION (cont.)

of Figure 1, the trickle charge voltage threshold is determined by:

$$V_{TRICKLE_THRESHOLD} = \frac{RS1 + RS2 + RS3}{RS3} \cdot 2.05$$

With a trickle threshold of 5V (for 2 cells) and setting RS3 to 10k, RS1+ RS2 should be approximately 14.4k.

The applications circuit trickle charge current is set to about 7.5% of the bulk charge current. The current value is set by picking the appropriate value for RG1. Referring to the Block Diagram and Figure 1, during trickle charge a fixed current

$$\frac{0.68}{R_{SET}}$$

flows out of the current amplifier's inverting input and into RG1. The voltage amplifier output is disabled during trickle charge and acts as a high impedance node. The resulting voltage at the output of the current sense am-

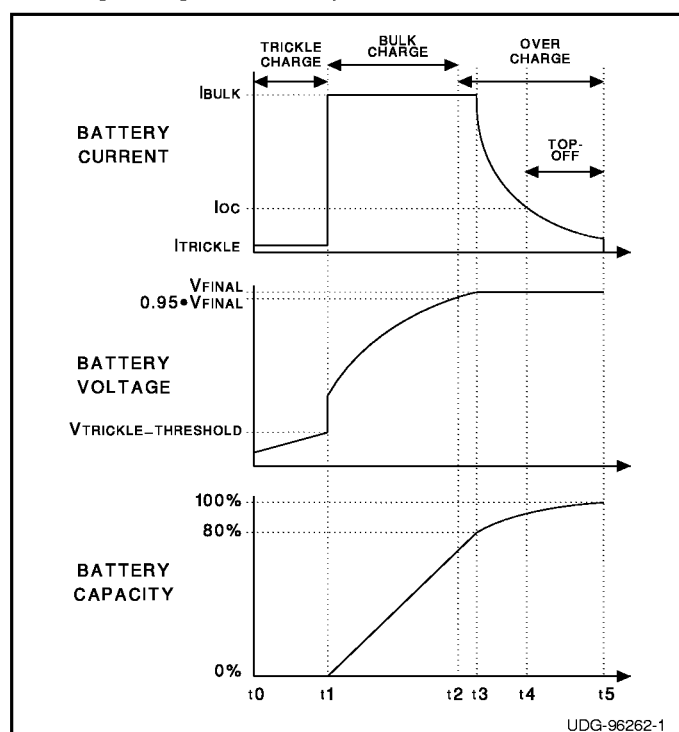


Figure 2. Typical Charge Cycle Levels

plifier sets the trickle charge current.

$$I_{TRICKLE} = \frac{RG1}{7.5 \cdot R_{SET} \cdot R_{SENSE}}$$

In the application circuit the sense resistor is 0.18Ω and RSET is 162k, for a trickle current of about 90mA a 20k resistor is selected for RG1.

The converter is typically designed to run in discontinuous conduction mode during trickle charge. This allows a

reasonably small value of inductance to be used. The average current mode of the UCC3956 provides improved discontinuous duty cycle control, when compared to peak current mode implementations.

In Figure 2, the trickle charge state corresponds to the time interval between t0 (when CHG is transitioned from low to high) and t1. During the trickle charge state STAT0 and STAT1 are logic level lows. At time t1 the trickle threshold is met, and the charger transitions to the bulk charge state. In many instances, the battery voltage will initially be above the trickle threshold. In this case, the trickle charge state will not be needed.

Bulk Charge State

As the name implies, the bulk charge state is responsible for restoring a majority of the charge back into the battery. The bulk charge current is determined by the C rate and the capacity of the battery. In the application circuit, 2 stacked 1200mAH batteries are charged at a 1C rate. This will require 1.2A of current during bulk charge. In this case, a fully discharged battery will take about 60 minutes to reach approximately 80% capacity. Battery packs with a high ESR will typically have a shorter bulk period, due to the voltage drop generated by the bulk current and the ESR of the battery.

Both the voltage and current sense amplifiers are enabled during bulk charge. The voltage amplifier is saturated in this state as the battery voltage is slowly rising, but is not yet high enough to drive the voltage amplifier into regulation. The output of voltage amplifier is clamped at a nominal voltage of 4.1V. The current sense amplifier is configured such that its output voltage increases with decreasing RSENSE current. RSENSE should be sized such that the output voltage of the current sense amplifier VIBAT is within specification during bulk charge.

$$V_{IBAT}(BULK) = 2.05 - 5 \cdot I_{BULK} \cdot R_{SENSE}$$

With 1.2A of bulk current and setting the current sense amplifier output at 1V, a sense resistor of 0.18Ω is required. As always, power dissipation and converter efficiency must be considered when choosing RSENSE.

Referring to the Feedback Diagram of Figure 3, the output of the voltage and current sense amplifiers are summed together at the inverting input of the current amplifier. Assuming that the current amplifier is within regulation, the required value of RG2 can be calculated. The application circuit uses a value of 38.3k for RG2, setting the bulk current to 1.2A.

$$RG2 = \frac{2.05 \cdot RG1}{5 \cdot I_{BULK} \cdot R_{SENSE}}$$

Referring to Figure 2, the bulk charge state corresponds

APPLICATION INFORMATION (cont.)

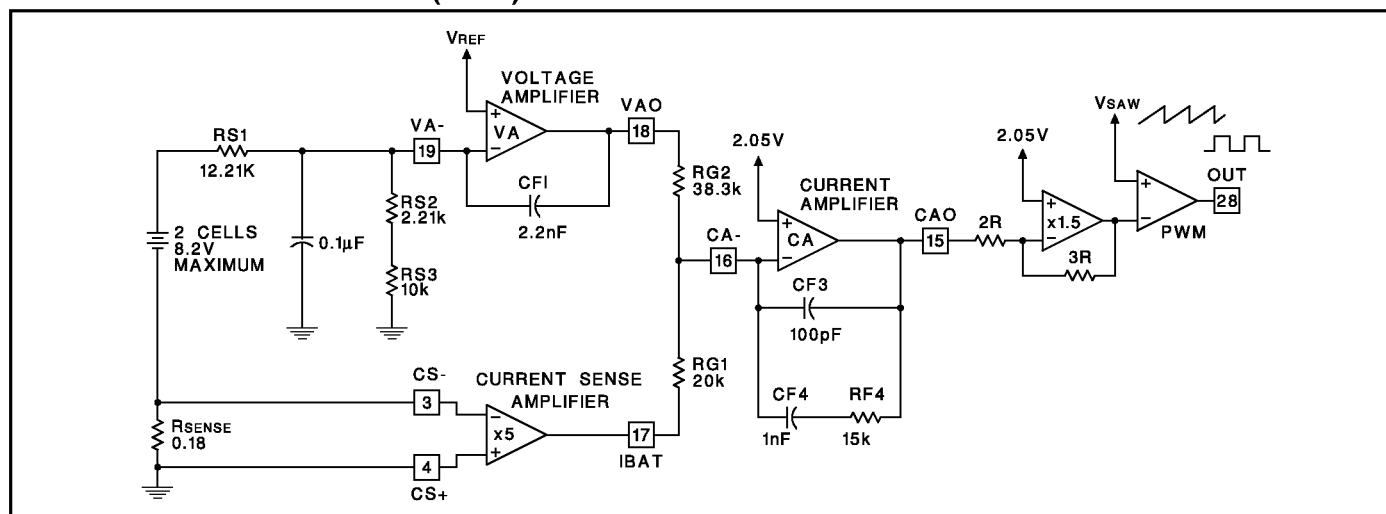


Figure 3. Simplified Feedback Diagram

UDG-96263-1

to the interval between t1 and t2. The step in voltage at time t1 is caused by bulk current flowing into the battery ESR and sense resistor. In the bulk charge state STAT0 is a logic level high and STAT1 is a logic level low.

Over Charge State

The over charge state of the converter starts when the battery reaches 95% of its final voltage (time t2 of Figure 2). The over charge state is initiated when the voltage at the inverting input of the voltage amplifier is 95% of the non-inverting input voltage. Using 95% rather than 100% of the final battery voltage assures that the over charge timer will always be set, before the battery current tapers off. At the beginning of over charge STAT0 indicates a logic level low and STAT1 indicates a logic level high.

In the application circuit of Figure 1, the voltage at which over charge is initiated is set by resistors RS1, RS2 and RS3. These resistors are also used to set the trickle charge threshold. A 0.1µF decoupling capacitor is added to this node as a filter. The battery (or stack) voltage that will initiate the over charge state is:

$$VOC_THRESHOLD = 0.95 \cdot \frac{RS1 + RS2 + RS3}{RS2 + RS3} \cdot 4.1$$

For a single cell stack, RS1 should be 0Ω. This results in a final battery voltage of 4.1V. It is important not to charge a Lithium-Ion battery above 4.2V. When charging a battery stack, RS1 should be selected to properly set the final stack voltage. In the application circuit, RS1 is selected to be 12.21k and RS2 is selected to be 2.21k. This sets the over charge level at 8.2V, while setting the trickle charge threshold to about 5V.

The battery voltage at the beginning of the over charge state may not correspond to the voltage amplifier coming

out of saturation. Therefore, bulk current may continue in the battery during the initial portion of the over charge state (see Figure 2). When the voltage amplifier comes into regulation, the amplifier's output voltage will begin to decrease. The current sense amplifier's output voltage will need to increase, in order for the current amplifier's inverting input to remain at 2.05V. This will translate into a decreasing battery current. The battery current will continue to decrease as the battery approaches 100% capacity.

Although the bulk charge state restores a majority of the capacity to the battery, the over charge state will typically take a majority of the charge cycle time. The bulk charge state will usually take 1/3 of the total charge time, while the over charge state will take the remaining 2/3. Different methods are used to terminate the charge of Lithium-Ion batteries. Many chargers use a current threshold to terminate charge. While this method is simple to implement, the current tail near the end of charge is often quite flat (see Figure 2). To make matters worse, the current level versus battery capacity may differ from cell to cell. This makes it difficult to accurately terminate at 100% capacity. In order to avoid the possibility of over charging the battery, the design may require termination at a higher current level (before 100% capacity is reached). A more predictable method of charge termination is to use a fixed over charge time.

The UCC3956 provides both a current level detection as well as a timer. In a typical design, the current level detection is used to give an indication of near full charge. In Figure 2 this occurs at time t4. This indication is useful since the time to charge from t4 to t5 may be quite long. Since Lithium-Ion batteries have no memory effect, there is little reason to have the user wait for the battery to be

APPLICATION INFORMATION (cont.)

100% charged. If the battery is not taken from the charger at time t4, the charger will continue charging. The timer will expire and the charge cycle will terminate at time t5.

A typical value of current used to indicate near full charge is 1/10 of the bulk current value. This current level is established by setting the appropriate voltage on IMIN. IMIN is tied to an internal comparator along with the output of the current sense amplifier. When the current sense amplifier voltage becomes greater than the voltage on IMIN, the internal state machine indicates near full charge by setting STAT0 and STAT1 to logic level highs. In the application circuit of Figure 1, resistors RS4 and RS5 determine the voltage at IMIN. With RS4 at 11k and RS5 at 10k, near full charge is indicated at 120mA.

$$V_{MIN} = 4.1 \cdot \frac{RS5}{RS4 + RS5}$$

$$I_{NEAR_FULL} = \frac{2.05 - V_{MIN}}{5 \cdot R_{SENSE}}$$

The UCC3956 timer has a 14 bit counter that allows long over-charge times with reasonable component values. As stated above, the charger will continue charging the battery until the timer expires (unless the battery is pulled from the charger). Referring to Figure 2, the timer starts at time t2 and expires at time t5. The frequency of the timer can be determined as follows:

$$f_{TIMER} = \frac{0.06}{R_{SET} \cdot C_{TO}}$$

With a 14 bit counter the time-out period in minutes becomes:

$$TIMEOUT = 4550 \cdot C_{TO} \cdot R_{SET}$$

In the application circuit, a value of 0.15μF is used for CTO to give 120 minutes of overcharge (more than twice the bulk charge time). When the timer expires, CHG is pulled low by an internal buffer and the charge cycle terminates. If tied to a bi-directional port, CHG can be read by a microprocessor.

Inductor Sizing

For good efficiency, the inductor should be sized to give continuous current in the bulk charge state. For a buck converter, duty cycle in continuous mode is given by:

$$D = \frac{V_{BATTERY} + V_{SCHOTTKY}}{V_{INPUT} + V_{SCHOTTKY}}$$

Allowing a 25% ripple in the bulk current will give a reasonable value of inductance. The inductor value can be calculated as follows:

$$L = \frac{4 \cdot (V_{INPUT} - V_{BAT}) \cdot D}{I_{BULK} \cdot f_{OSC}}$$

A 150μH inductor is used in the application circuit.

Current Control Loop

The UCC3956 features an outer voltage loop and an inner average current loop. The virtues of average current mode control are well documented in Reference [1]. A simplified block diagram of the feedback elements is provided in Figure 3. The network for the current amplifier could be as simple as a single capacitor, providing a dominant pole response, which may be adequate for a battery charger application. The current amplifier network of Figure 3 provides improved transient performance. The component values for CF3, CF4, and RF4 will be selected to give a constant gain from approximately fosc/10 to fosc. At frequencies below fosc/10, the network gain will increase at 20dB/decade, giving a high DC gain. The network will attenuate at 20dB/decade above the switching frequency, giving noise immunity.

A feedback design that optimizes transient response will have the amplified inductor current down-slope approach the PWM saw-tooth slope [1]. This occurs by designing the total loop gain to cross unity at 1/3 to 1/6 of the switching frequency. The applications circuit is designed to cross unity gain at 1/10 of the switching frequency (10kHz), with a 12V nominal input. The power stage small signal gain can be approximated by:

$$G_{POWER_STAGE} = \frac{V_{IN} \cdot R_{SENSE}}{S_L + R_{SENSE} + ESR}$$

Referring to Figure 3, the current sense amplifier pro-

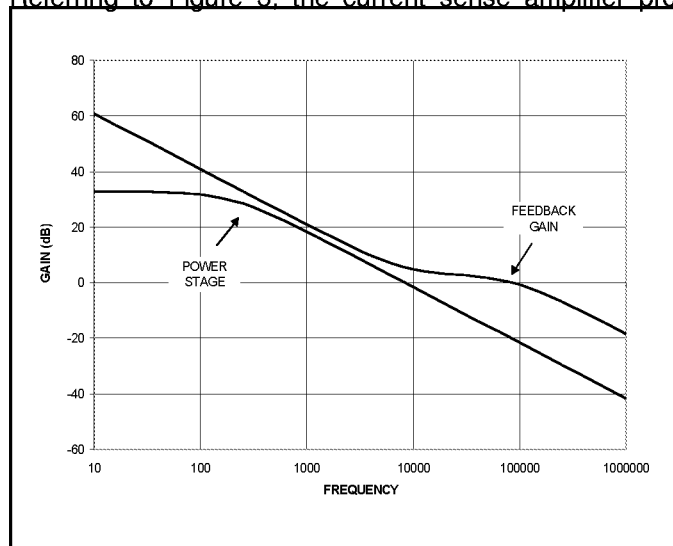


Figure 4a. Current Loop Power Stage and Feedback Gain

APPLICATION INFORMATION (cont.)

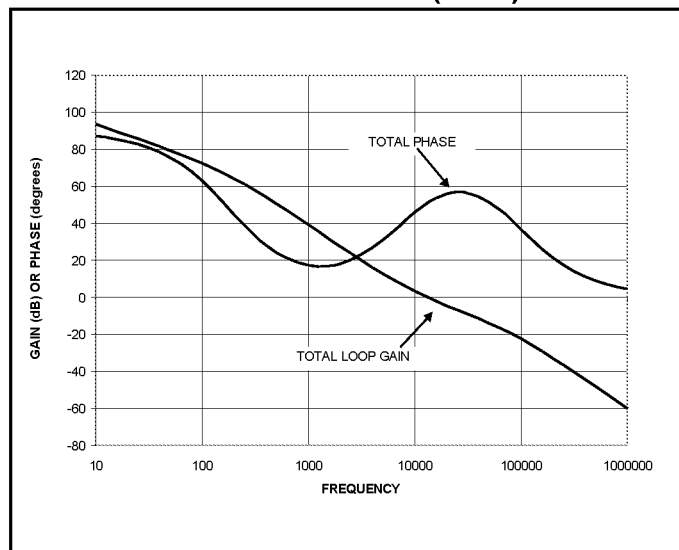


Figure 4b. Current Loop Total Gain and Phase

vides a gain of 5, an inverting stage adds a gain of 1.5, and the modulator has a gain of 0.64; adding a fixed gain of 4.8 to the power stage. The current amplifier's gain between $f_{osc}/10$ and f_{osc} is equal to $RF4$ divided by the parallel combination of $RG1$ and $RG2$ times the resistive divider $RG2/(RG1+RG2)$, simplifying to:

$$GCA = \frac{RF4}{RG1}$$

$RF4$ is selected to be 15k, resulting in a 10kHz crossover frequency. Once $RF4$ is determined, $CF3$ and $CF4$ can be selected to give corner frequencies at $f_{osc}/10$ and f_{osc} respectively.

$$CF3 = \frac{1}{2 \cdot \pi \cdot f_{OSC} \cdot RF4}$$

$$CF4 = \frac{10}{2 \cdot \pi \cdot f_{OSC} \cdot RF4}$$

In the applications circuit, a value of 100pF is used for $CF3$ and 1.0nF is used for $CF4$. Figure 4a shows the power stage gain and feedback network gain for the current loop. Figure 4b shows the total open loop gain and phase.

Adding the Voltage Control Loop

The voltage loop comes into regulation during the overcharge period of operation. The output of the voltage am-

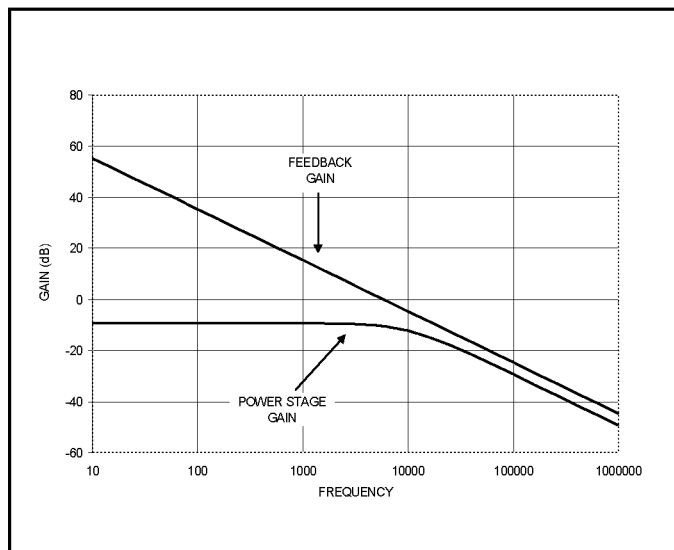


Figure 5a. Voltage Loop Power Stage Gain

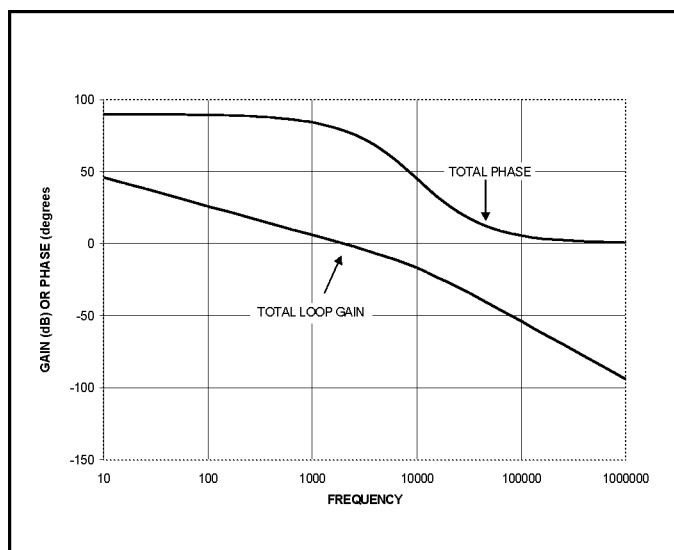


Figure 5b. Voltage Loop Total Gain and Phase

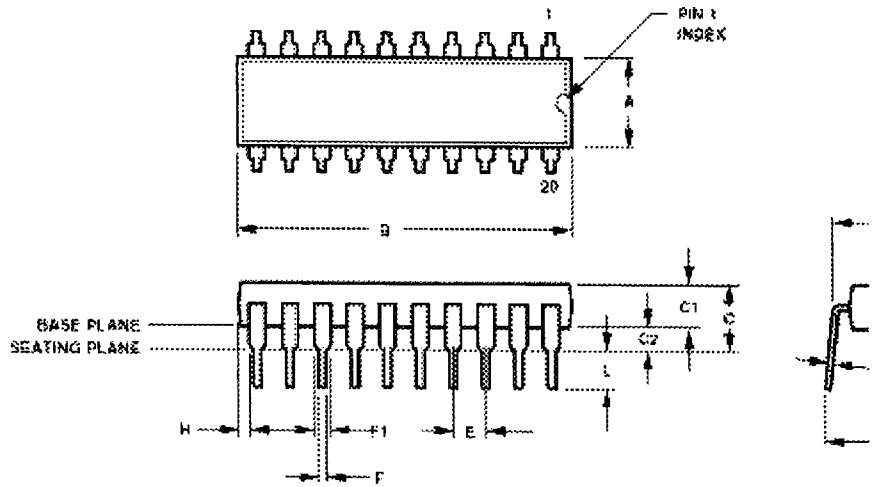
plifier begins to decrease, demanding less current to the battery. With the current loop closed, the power stage gain of the voltage loop is equal to $1/(5 \cdot R_{SENSE})$ out to the crossover frequency (10kHz). In order to avoid interactions with the current loop, the voltage loop will cross unity at 2kHz. The voltage loop is attenuated by the divider $RG1/(RG1+RG2)$. A single pole network is added to the voltage amplifier, giving a high gain at DC. Referring to Figure 3, the voltage amplifier gain is equal to the impedance of $CF1$ divided by $RS1$. A 2.2nF capacitor will give a total crossover frequency near 2kHz. Figure 5a shows the gain of the power and feedback stages for the voltage loop. Figure 5b shows the total gain and phase of the voltage loop.



[Back to Packaging Index](#)

20-PIN PLASTIC DIP ~ N PACKAGE SUFFIX

DIMENSIONS					
	INCHES		MILLIMETERS		NOTES
	MIN	MAX	MIN	MAX	
A	.245	.260	6.22	6.60	1
B	1.010	1.030	25.65	26.16	1
C	-	.210	-	5.33	
C1	.125	.150	3.18	3.81	
C2	.015	.055	0.38	1.40	2
D	.300	.325	7.62	8.26	3
E	.100 BSC		2.54 BSC		4
F	.014	.022	0.35	0.56	
F1	.045	.070	1.14	1.78	
F2	.008	.014	0.20	0.35	
G	.300	.400	7.62	10.16	5
H	.005	-	0.13	-	
L	.115	.160	2.92	4.06	



NOTES:

1. 'A' AND 'B' DO NOT INCLUDE MOLD FLASH OR PROTRUSIONS. MOLD FLASH OR PROTRUSIONS SHALL NOT EXCEED 0.006 IN. PER SIDE.
2. 'C2' SHALL BE MEASURED FROM THE SEATING PLANE TO THE BASE PLANE.
3. 'D' SHALL BE MEASURED WITH THE LEADS CONSTRAINED TO BE PERPENDICULAR TO THE BASE PLANE.
4. THE BASIC LEAD SPACING IS 0.100 IN. BETWEEN CENTERLINES. EACH LEAD CENTERLINE SHALL BE LOCATED WITHIN ±0.010 IN. OF ITS EXACT TRUE POSITION.
5. 'G' SHALL BE MEASURED AT THE LEAD TIPS WITH THE LEADS UNCONSTRAINED.
6. CONTROLLING DIMENSION: INCHES. MILLIMETERS SHOWN FOR REFERENCE ONLY.

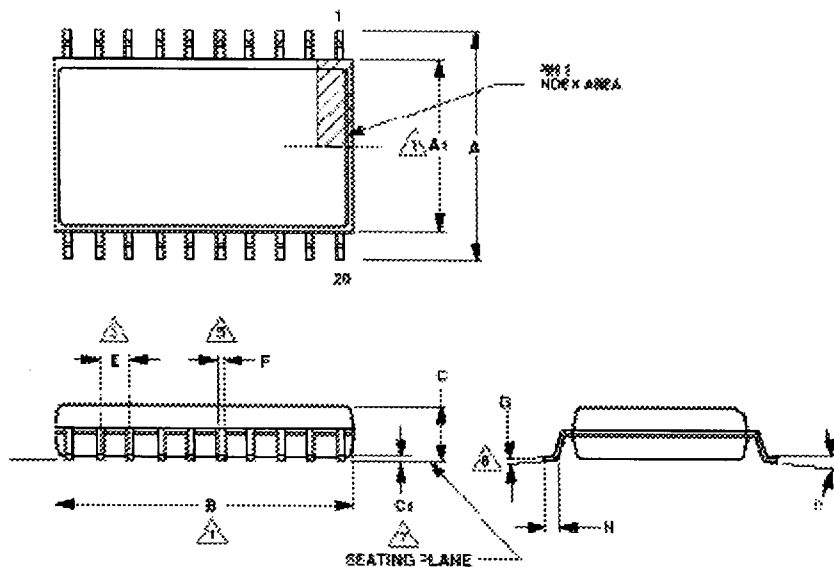


Mechanical Drawings

[Back to Packaging Index](#)

20-PIN SOIC SURFACE MOUNT~ DW PACKAGE SUFFIX

DIMENSIONS				
	INCHES		MILLIMETERS	
	MIN	MAX	MIN	MAX
A	.394	.419	10.00	10.64
A1	.292	.299	7.42	7.59
B	.504	.511	12.80	12.98
C	.097	.104	2.46	2.64
C1	.004	.011	0.10	0.28
E	.050 BSC		1.27 BSC	
F	.014	.019	0.36	0.48
G	.009	.012	0.23	0.30
H	.018	.035	0.46	0.89
θ	0°	8°	0°	8°



NOTES:

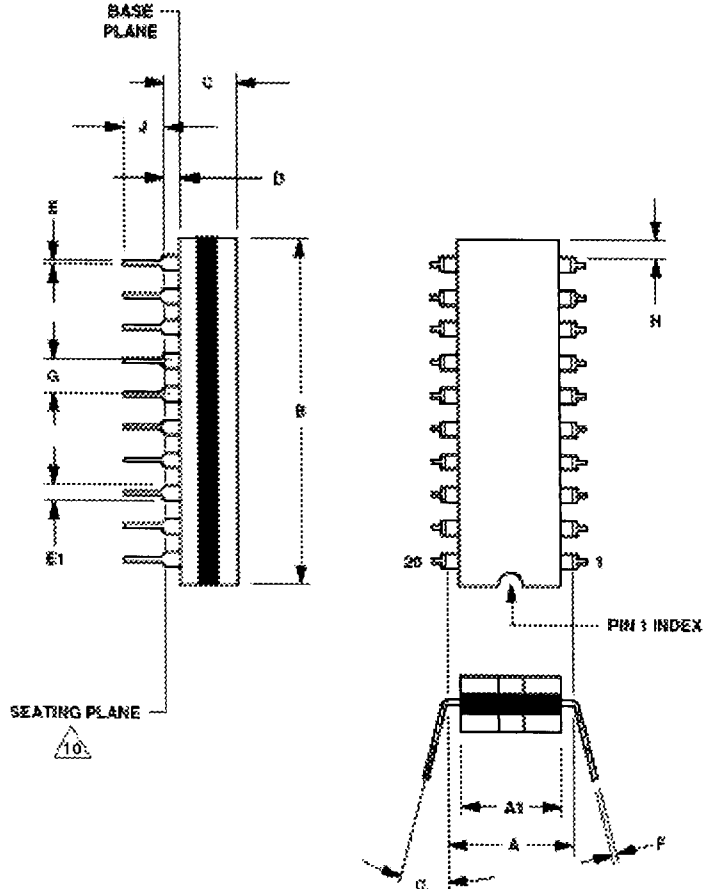
1. 'A1' AND 'B' DO NOT INCLUDE MOLD FLASH OR PROTRUSIONS. MOLD FLASH OR PROTRUSIONS SHALL NOT EXCEED 0.006 IN. PER SIDE.
2. LEADS SHALL BE COPLANAR WITHIN 0.004 IN. AT THE SEATING PLANE.
3. THE BASIC LEAD SPACING IS 0.050 IN. BETWEEN CENTERLINES. EACH LEAD CENTERLINE SHALL BE LOCATED WITHIN ±0.004 IN. OF ITS EXACT TRUE POSITION.
4. CONTROLLING DIMENSION: INCHES. MILLIMETERS SHOWN FOR REFERENCE ONLY.
5. DIMENSION 'F' DOES NOT INCLUDE DAMBAR PROTRUSION. THE DAMBAR PROTRUSION(S) SHALL NOT CAUSE THE LEAD WIDTH TO EXCEED 'F' MAXIMUM BY MORE THAN 0.003 IN. DAMBAR CAN NOT BE LOCATED ON THE LOWER RADIUS OR THE LEAD FOOT.
6. THESE DIMENSIONS APPLY TO THE FLAT SECTION OF THE LEAD BETWEEN 0.004 IN. AND 0.010 IN. FROM THE LEAD TIP.
7. 'C1' IS DEFINED AS THE DISTANCE FROM THE SEATING PLANE TO THE LOWEST POINT OF THE PACKAGE BODY (BASE PLANE).



[Back to Packaging Index](#)

20-PIN CERAMIC DIP ~ J PACKAGE SUFFIX

DIMENSIONS					
	INCHES		MILLIMETERS		NOTES
	MIN	MAX	MIN	MAX	
A	0.290	0.320	7.37	8.13	7
A1	0.220	0.310	5.59	7.87	4
B	-	0.840	-	21.34	4
C	-	0.200	-	5.08	
D	0.015	0.060	0.38	1.52	3
E	0.014	0.026	0.36	0.66	8
E1	0.045	0.065	1.14	1.65	2
F	0.008	0.018	0.20	0.46	8
G	0.100 BSC		2.54 BSC		5
H	0.005	-	0.13	-	6
J	0.125	0.200	3.18	5.08	
α	0°	15°	0°	15°	



NOTES:

- INDEX AREA: A NOTCH OR A PIN ONE IDENTIFICATION MARK SHALL BE LOCATED ADJACENT TO PIN ONE. THE MANUFACTURER'S IDENTIFICATION SHALL NOT BE USED AS A PIN ONE IDENTIFICATION MARK.
- THE MINIMUM LIMIT FOR DIMENSION 'E1' MAY BE 0.023 (0.58mm) FOR LEADS NUMBER 1, 10, 11 AND 20 ONLY.
- DIMENSION 'D' SHALL BE MEASURED FROM THE SEATING PLANE TO THE BASE PLANE.
- THIS DIMENSION ALLOWS FOR OFF-CENTER LID, MENISCUS AND GLASS OVERRUN.
- THE BASIC PIN SPACING IS 0.100 (2.54mm) BETWEEN CENTERLINES. EACH PIN CENTERLINE SHALL BE LOCATED WITHIN ± 0.010 (0.25mm) OF ITS EXACT TRUE POSITION.
- APPLIES TO ALL FOUR CORNERS (LEADS NUMBER 1, 10, 11 AND 20).
- DIMENSION 'A' SHALL BE MEASURED AT THE CENTERLINE OF THE LEADS WHEN $\alpha = 0^\circ$.
- THE MAXIMUM LIMITS OF DIMENSIONS 'E' AND 'F' SHALL BE MEASURED AT THE CENTER OF THE FLAT WHEN SOLDER DIP IS APPLIED.