

National Semiconductor is now part of  
Texas Instruments.

Search <http://www.ti.com/> for the latest technical  
information and details on our current products and services.

# LM5035 PWM Controller with Integrated Half-Bridge and SyncFET Drivers

## General Description

The LM5035 Half-Bridge Controller/Gate Driver contains all of the features necessary to implement half-bridge topology power converters using voltage mode control with line voltage feed-forward. The floating high-side gate driver is capable of operating with supply voltages up to 105V. Both the high-side and low-side gate drivers are capable of 2A peak. An internal high voltage startup regulator is included, along with programmable line undervoltage lockout (UVLO) and overvoltage protection (OVP). The oscillator is programmed with a single resistor for frequencies up to 2MHz. The oscillator can also be synchronized to an external clock. A current sense input and a programmable timer provide cycle-by-cycle current limit and adjustable hiccup mode overload protection.

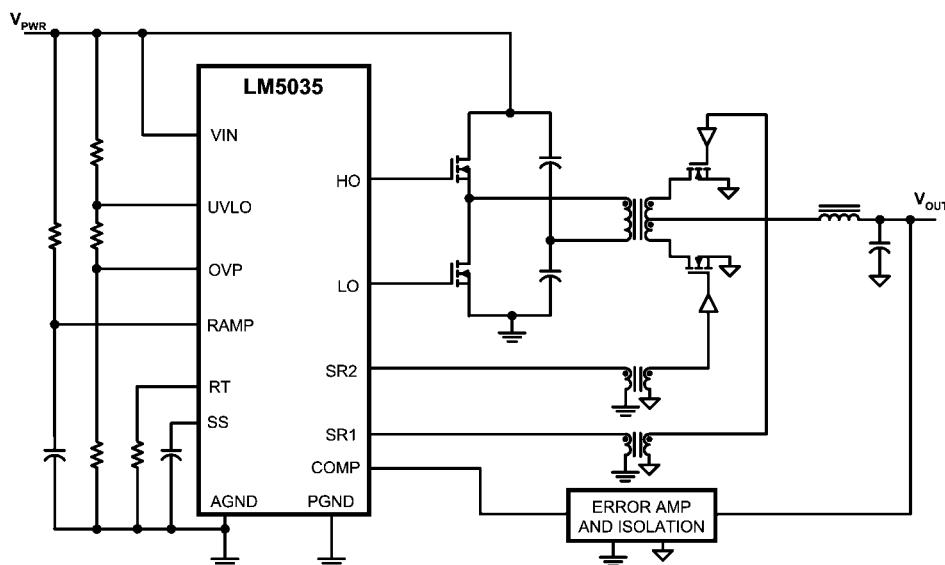
## Features

- 105V / 2A Half-Bridge Gate Drivers
- Synchronous Rectifier Control Outputs with Programmable Delays
- High Voltage (105V) Start-up Regulator
- Voltage mode Control with Line Feed-Forward and Volt • Second Limiting
- Resistor Programmed, 2MHz Capable Oscillator
- Patent Pending Oscillator Synchronization
- Programmable Line Under-Voltage Lockout
- Line Over-Voltage Protection
- Internal Thermal Shutdown Protection
- Adjustable Soft-Start
- Versatile Dual Mode Over-Current Protection with Hiccup Delay Timer
- Cycle-by-Cycle Over-Current Protection
- Direct Opto-coupler Interface
- 5V Reference Output

## Packages

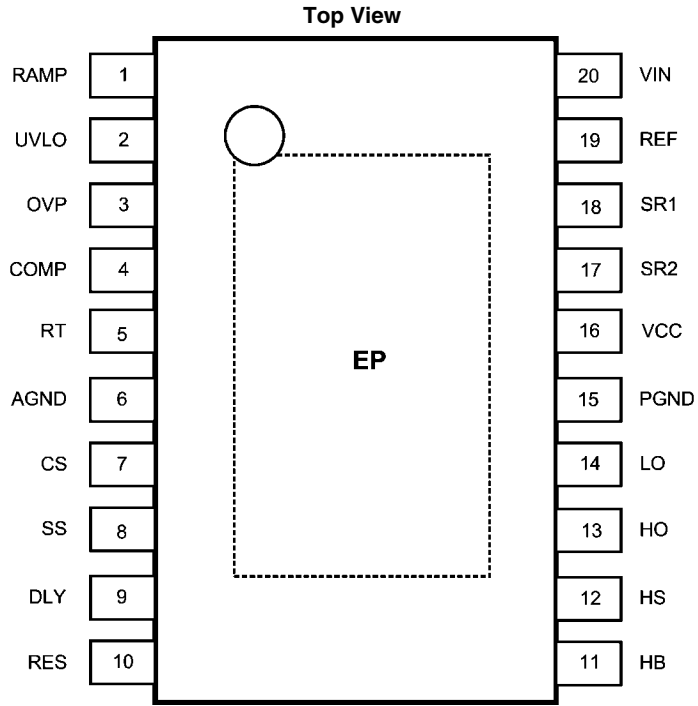
- TSSOP-20EP (Thermally enhanced)
- LLP-24 (4mm x 5mm)

## Simplified Application Diagram



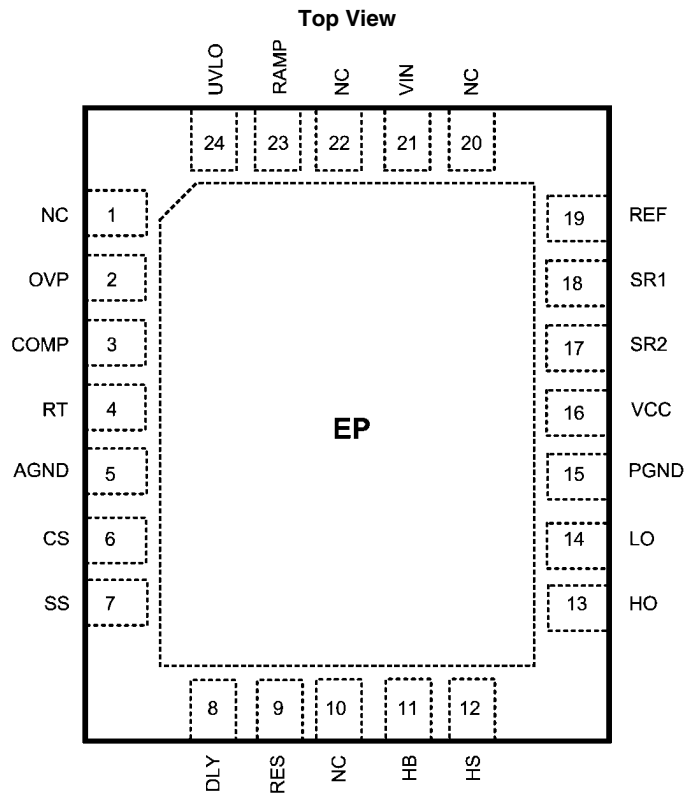
20177501

# Connection Diagrams



**20-Lead TSSOP EP**

20177502



**LLP-24 Package**

20177503

## Ordering Information

Order Number	Package Type	NSC Package Drawing	Supplied As
LM5035MH	TSSOP-20EP	MXA20A	73 Units per Rail
LM5035MHX	TSSOP-20EP	MXA20A	2500 Units on Tape and Reel
LM5035SQ	LLP-24	SQA24B	1000 Units on Tape and Reel
LM5035SQX	LLP-24	SQA24B	4500 Units on Tape and Reel

## Pin Descriptions

TSSOP PIN	LLP PIN	Name	Description	Application Information
1	23	RAMP	Modulator ramp signal	An external RC circuit from VIN sets the ramp slope. This pin is discharged at the conclusion of every cycle by an internal FET. Discharge is initiated by either the internal clock or the Volt • Second clamp comparator.
2	24	UVLO	Line Under-Voltage Lockout	An external voltage divider from the power source sets the shutdown and standby comparator levels. When UVLO reaches the 0.4V threshold the VCC and REF regulators are enabled. When UVLO reaches the 1.25V threshold, the SS pin is released and the device enters the active mode. Hysteresis is set by an internal current sink that pulls 23 $\mu$ A from the external resistor divider.
3	2	OVP	Line Over-Voltage Protection	An external voltage divider from the power source sets the shutdown levels. The threshold is 1.25V. Hysteresis is set by an internal current source that sources 23 $\mu$ A into the external resistor divider.
4	3	COMP	Input to the Pulse Width Modulator	An external opto-coupler connected to the COMP pin sources current into an internal NPN current mirror. The PWM duty cycle is maximum with zero input current, while 1mA reduces the duty cycle to zero. The current mirror improves the frequency response by reducing the AC voltage across the opto-coupler detector.
5	4	RT	Oscillator Frequency Control and Sync Clock Input.	Normally biased at 2V. An external resistor connected between RT and AGND sets the internal oscillator frequency. The internal oscillator can be synchronized to an external clock with a frequency higher than the free running frequency set by the RT resistor.
6	5	AGND	Analog Ground	Connect directly to Power Ground.
7	6	CS	Current Sense input for current limit	If CS exceeds 0.25V the output pulse will be terminated, entering cycle-by-cycle current limit. An internal switch holds CS low for 50ns after HO or LO switches high to blank leading edge transients.
8	7	SS	Soft-start Input	An internal 55 $\mu$ A current source charges an external capacitor to set the soft-start rate. During a current limit restart sequence, the internal current source is reduced to 1.2 $\mu$ A to increase the delay before retry.
9	8	DLY	Timing programming pin for the LO and HO to SR1 and SR2 outputs.	An external resistor to ground sets the timing for the non-overlap time of HO to SR1 and LO to SR2.
10	9	RES	Restart Timer	If cycle-by-cycle current limit is exceeded during any cycle, a 22 $\mu$ A current is sourced to the RES pin capacitor. If the RES capacitor voltage reaches 2.5V, the soft-start capacitor will be fully discharged and then released with a pull-up current of 1.2 $\mu$ A. After the first output pulse at LO (when SS > COMP offset, typically 1V), the SS pin charging current will revert to 55 $\mu$ A.

TSSOP PIN	LLP PIN	Name	Description	Application Information
11	11	HB	Boost voltage for the HO driver	An external diode is required from VCC to HB and an external capacitor is required from HS to HB to power the HO gate driver.
12	12	HS	Switch node	Connection common to the transformer and both power switches. Provides a return path for the HO gate driver.
13	13	HO	High side gate drive output.	Output of the high side PWM gate driver. Capable of sinking 2A peak current.
14	14	LO	Low side gate drive output.	Output of the low side PWM gate driver. Capable of sinking 2A peak current.
15	15	PGND	Power Ground	Connect directly to Analog Ground.
16	16	VCC	Output of the high voltage start-up regulator. The VCC voltage is regulated to 7.6V.	If an auxiliary winding raises the voltage on this pin above the regulation setpoint, the Start-up Regulator will shutdown, thus reducing the internal power dissipation.
17	17	SR2	Synchronous rectifier driver output.	Control output of the synchronous FET gate. Capable of 0.5A peak current.
18	18	SR1	Synchronous rectifier driver output.	Control output of the synchronous FET gate. Capable of 0.5A peak current.
19	19	REF	Output of 5V Reference	Maximum output current is 20mA. Locally decoupled with a 0.1µF capacitor.
20	21	VIN	Input voltage source	Input to the Start-up Regulator. Operating input range is 13V to 100V with transient capability to 105V. For power sources outside of this range, the LM5035 can be biased directly at VCC by an external regulator.
EP	EP	EP	Exposed Pad, underside of package	No electrical contact. Connect to system ground plane for reduced thermal resistance.
	1	NC	No connection	No electrical contact.
	10	NC	No connection	No electrical contact.
	20	NC	No connection	No electrical contact.
	22	NC	No connection	No electrical contact.

**Absolute Maximum Ratings** (Note 1)

If Military/Aerospace specified devices are required, please contact the National Semiconductor Sales Office/Distributors for availability and specifications.

V <sub>IN</sub> to GND	-0.3V to 105V
HS to GND	-1V to 105V
HB to GND	-0.3V to 118V
HB to HS	-0.3V to 18V
V <sub>CC</sub> to GND	-0.3V to 16V
CS, RT, DLY to GND	-0.3V to 5.5V
COMP Input Current	10mA

All other inputs to GND	-0.3V to 7V
ESD Rating (Note 4)	
Human Body Model	2kV
Storage Temperature Range	-65°C to 150°C
Junction Temperature	150°C

**Operating Ratings** (Note 1)

V <sub>IN</sub> Voltage	13V to 105V
External Voltage Applied to V <sub>CC</sub>	8V to 15V
Operating Junction Temperature	-40°C to +125°C

**Electrical Characteristics** Specifications with standard typeface are for T<sub>J</sub> = 25°C, and those with **boldface** type apply over full **Operating Junction Temperature range**. V<sub>VIN</sub> = 48V, V<sub>VCC</sub> = 10V externally applied, R<sub>RT</sub> = 15.0 kΩ, R<sub>DLY</sub> = 27.4kΩ, V<sub>UVLO</sub> = 3V, V<sub>OVP</sub> = 0V unless otherwise stated. See (Note 2) and (Note 3).

Symbol	Parameter	Conditions	Min	Typ	Max	Units
<b>Startup Regulator (VCC pin)</b>						
V <sub>VCC</sub>	VCC voltage	I <sub>VCC</sub> = 10mA	<b>7.3</b>	7.6	<b>7.9</b>	V
I <sub>VCC(LIM)</sub>	VCC current limit	V <sub>VCC</sub> = 7V	<b>20</b>	25		mA
V <sub>VCCUV</sub>	VCC Under-voltage threshold (VCC increasing)	V <sub>IN</sub> = V <sub>VCC</sub> , ΔV <sub>VCC</sub> from the regulation setpoint	<b>0.2</b>	0.1		V
	VCC decreasing	V <sub>VCC</sub> – PGND	<b>5.5</b>	6.2	<b>6.9</b>	V
I <sub>VIN</sub>	Startup regulator current	V <sub>IN</sub> = 90V, UVLO = 0V		30	<b>70</b>	μA
	Supply current into VCC from external source	Outputs & COMP open, V <sub>VCC</sub> = 10V, Outputs Switching		4	<b>6</b>	mA
<b>Voltage Reference Regulator (REF pin)</b>						
V <sub>REF</sub>	REF Voltage	I <sub>REF</sub> = 0mA	<b>4.85</b>	5	<b>5.15</b>	V
	REF Voltage Regulation	I <sub>REF</sub> = 0 to 10mA		25	<b>50</b>	mV
	REF Current Limit	REF = 4.5V	<b>15</b>	20		mA
<b>Under-Voltage Lock Out and shutdown (UVLO pin)</b>						
V <sub>UVLO</sub>	Under-voltage threshold		<b>1.212</b>	1.25	<b>1.288</b>	V
I <sub>UVLO</sub>	Hysteresis current	UVLO pin sinking	<b>19</b>	23	<b>27</b>	μA
	Under-voltage Shutdown Threshold	UVLO voltage falling		0.3		V
	Under-voltage Standby Enable Threshold	UVLO voltage rising		0.4		V
<b>Over-Voltage Protection (OVP pin)</b>						
V <sub>OVP</sub>	Over-Voltage threshold		<b>1.212</b>	1.25	<b>1.288</b>	V
I <sub>OVP</sub>	Hysteresis current	OVP pin sourcing	<b>19</b>	23	<b>27</b>	μA
<b>Current Sense Input (CS Pin)</b>						
V <sub>CS</sub>	Current Limit Threshold		<b>0.228</b>	0.25	<b>0.272</b>	V
	CS delay to output	CS from zero to 1V. Time for HO and LO to fall to 90% of V <sub>CC</sub> . Output load = 0 pF.		80		ns
	Leading edge blanking time at CS			50		ns
	CS sink impedance (clocked)	Internal FET sink impedance		32	<b>60</b>	Ω
<b>Current Limit Restart (RES Pin)</b>						
V <sub>RES</sub>	RES Threshold		<b>2.4</b>	2.5	<b>2.6</b>	V
	Charge source current	V <sub>RES</sub> = 1.5V	<b>16</b>	22	<b>28</b>	μA
	Discharge sink current	V <sub>RES</sub> = 1V	<b>8</b>	12	<b>16</b>	μA

Symbol	Parameter	Conditions	Min	Typ	Max	Units
<b>Soft-Start (SS Pin)</b>						
$I_{SS}$	Charging current in normal operation	$V_{SS} = 0$	<b>40</b>	55	<b>70</b>	$\mu\text{A}$
	Charging current during a hiccup mode restart	$V_{SS} = 0$	<b>0.6</b>	1.2	<b>1.8</b>	$\mu\text{A}$
	Soft-stop Current Sink	$V_{SS} = 2.5\text{V}$	<b>40</b>	55	<b>70</b>	$\mu\text{A}$
<b>Oscillator (RT Pin)</b>						
$F_{SW1}$	Frequency 1 (at HO, half oscillator frequency)	$R_{RT} = 15\text{ k}\Omega, T_J = 25^\circ\text{C}$	<b>185</b>	200	<b>215</b>	kHz
		$R_{RT} = 15\text{ k}\Omega, T_J = -40^\circ\text{C to } 125^\circ\text{C}$	<b>180</b>		<b>220</b>	
$F_{SW2}$	Frequency 2 (at HO, half oscillator frequency)	$R_{RT} = 5.49\text{ k}\Omega$	<b>430</b>	500	<b>570</b>	kHz
	DC level			2		V
	Input Sync threshold		<b>2.5</b>	3	<b>3.4</b>	V
<b>PWM Controller (Comp Pin)</b>						
	Delay to output			80		ns
$V_{PWM-OS}$	SS to RAMP offset		<b>0.7</b>	1	<b>1.2</b>	V
	Minimum duty cycle	$SS = 0\text{V}$			<b>0</b>	%
	Small signal impedance	$I_{COMP} = 600\mu\text{A}$ , COMP current to PWM voltage		5000		$\Omega$
<b>Main Output Drivers (HO and LO Pins)</b>						
	Output high voltage	$I_{OUT} = 50\text{mA}$ , $V_{HB} - V_{HO}$ , $V_{VCC} - V_{LO}$	<b>0.5</b>	0.25		V
	Output low voltage	$I_{OUT} = 100\text{ mA}$		0.2	<b>0.5</b>	V
	Rise time	$C_{LOAD} = 1\text{ nF}$		15		ns
	Fall time	$C_{LOAD} = 1\text{ nF}$		13		ns
	Deadtime, HO to LO, LO to HO	$V_{DLY} = V_{REF}$ , $I_{COMP} = 0\text{mA}$	<b>45</b>	70	<b>100</b>	ns
	Peak source current	$V_{HO,LO} = 0\text{V}$ , $V_{VCC} = 10\text{V}$		1.25		A
	Peak sink current	$V_{HO,LO} = 10\text{V}$ , $V_{VCC} = 10\text{V}$		2		A
<b>Voltage Feed-Forward (RAMP Pin)</b>						
	RAMP comparator threshold	COMP current = 0	<b>2.4</b>	2.5	<b>2.6</b>	V
<b>Synchronous Rectifier Drivers (SR1, SR2)</b>						
	Output high voltage	$I_{OUT} = 10\text{mA}$ , $V_{VCC} - V_{SR1}$ , $V_{VCC} - V_{SR2}$	<b>0.25</b>	0.1		V
	Output low voltage	$I_{OUT} = 20\text{ mA (sink)}$		0.08	<b>0.2</b>	V
	Rise time	$C_{LOAD} = 1\text{ nF}$		40		ns
	Fall time	$C_{LOAD} = 1\text{ nF}$		20		ns
	Peak source current	$V_{SR} = 0$ , $V_{VCC} = 10\text{V}$		0.5		A
	Peak sink current	$V_{SR} = V_{VCC}$ , $V_{VCC} = 10\text{V}$		0.5		A
T1	Deadtime, SR1 falling to HO rising, SR2 falling to LO rising	$R_{DLY} = 10\text{k}$		40		ns
		$R_{DLY} = 27.4\text{k}$	<b>75</b>	100	<b>125</b>	ns
		$R_{DLY} = 100\text{k}$		300		ns
T2	Deadtime, HO falling to SR1 rising, LO falling to SR2 rising	$R_{DLY} = 10\text{k}$		20		ns
		$R_{DLY} = 27.4\text{k}$	<b>30</b>	45	<b>65</b>	ns
		$R_{DLY} = 100\text{k}$		140		ns

Symbol	Parameter	Conditions	Min	Typ	Max	Units
<b>Thermal Shutdown</b>						
$T_{SD}$	Shutdown temperature			165		°C
	Hysteresis			20		°C
<b>Thermal Resistance</b>						
$\theta_{JA}$	Junction to ambient, 0 LFPM Air Flow	TSSOP-20_EP package		40		°C/W
$\theta_{JC}$	Junction to Case (EP) Thermal resistance	TSSOP-20_EP package		4		°C/W
$\theta_{JA}$	Junction to ambient, 0 LFM Air Flow	LLP-24 (4 mm x 5 mm)		40		°C/W
$\theta_{JC}$	Junction to Case Thermal resistance	LLP-24 (4 mm x 5 mm)		6		°C/W

**Note 1:** Absolute Maximum Ratings are limits beyond which damage to the device may occur. Operating Ratings are conditions under which operation of the device is intended to be functional. For guaranteed specifications and test conditions, see the Electrical Characteristics.

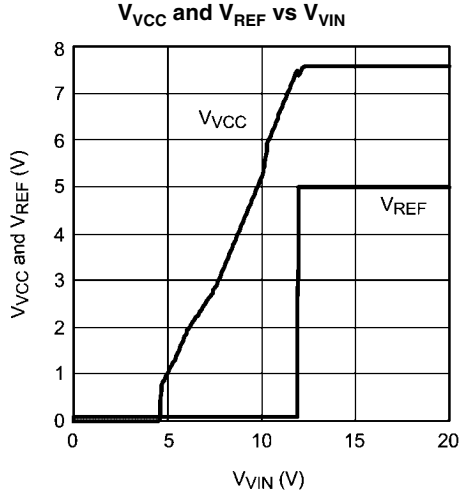
**Note 2:** All limits are guaranteed. All electrical characteristics having room temperature limits are tested during production with  $T_A = 25^\circ\text{C}$ . All hot and cold limits are guaranteed by correlating the electrical characteristics to process and temperature variations and applying statistical process control.

**Note 3:** Typical specifications represent the most likely parametric norm at  $25^\circ\text{C}$  operation

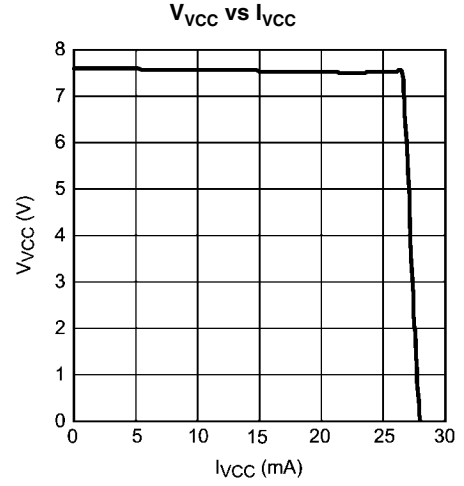
**Note 4:** The human body model is a 100 pF capacitor discharged through a 1.5 k $\Omega$  resistor into each pin. 2kV for all pins except HB, HO and HS which are rated at 1.5kV.



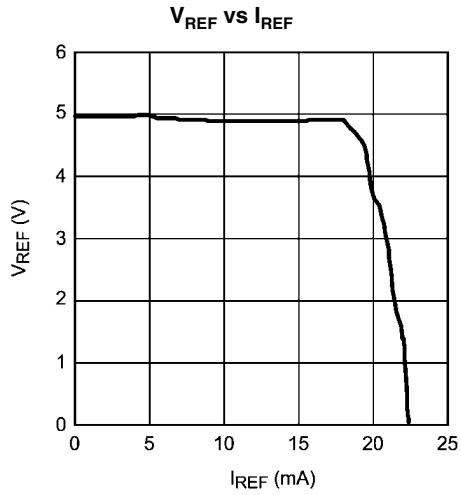
# Typical Performance Characteristics



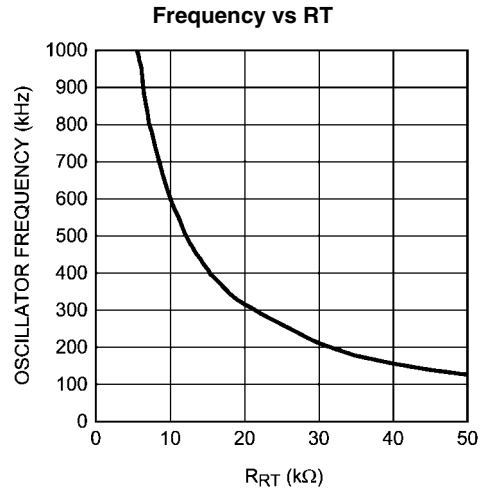
20177505



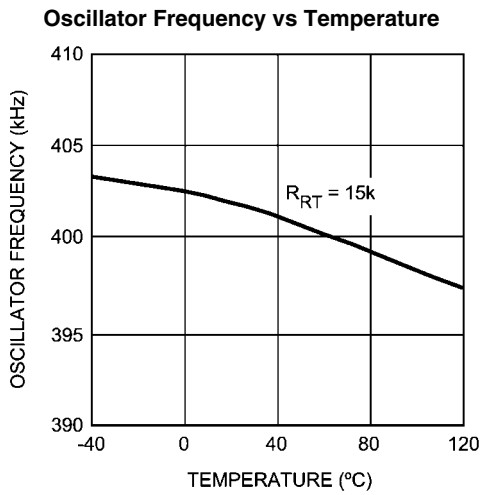
20177506



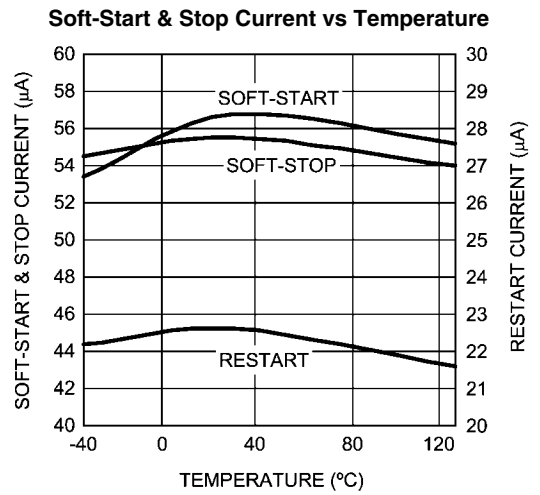
20177507



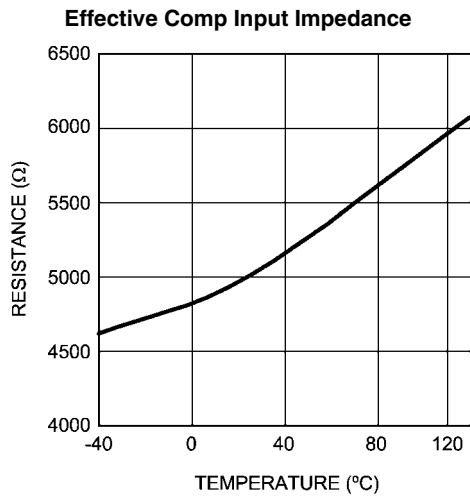
20177508



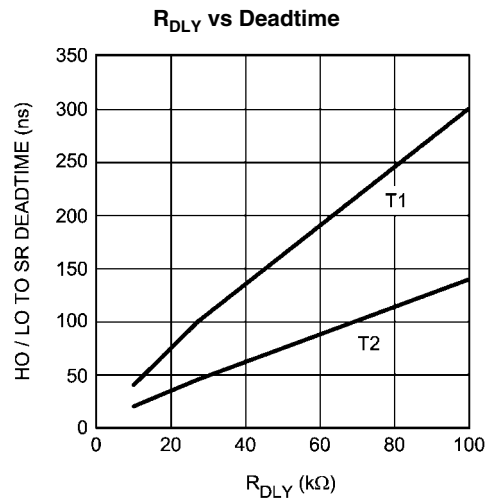
20177509



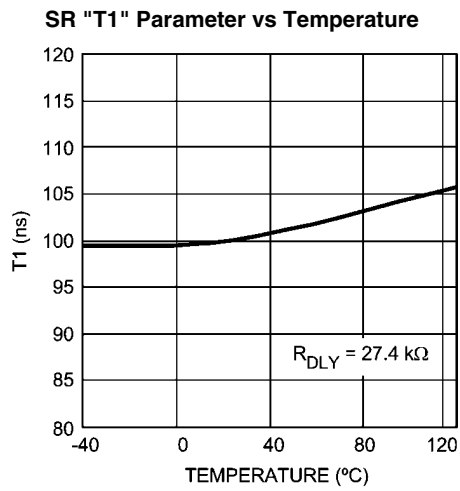
20177510



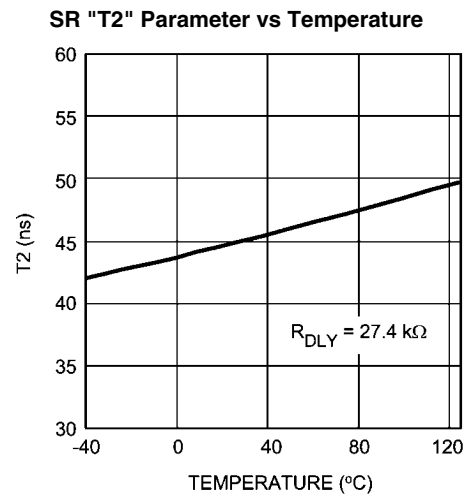
20177511



20177512

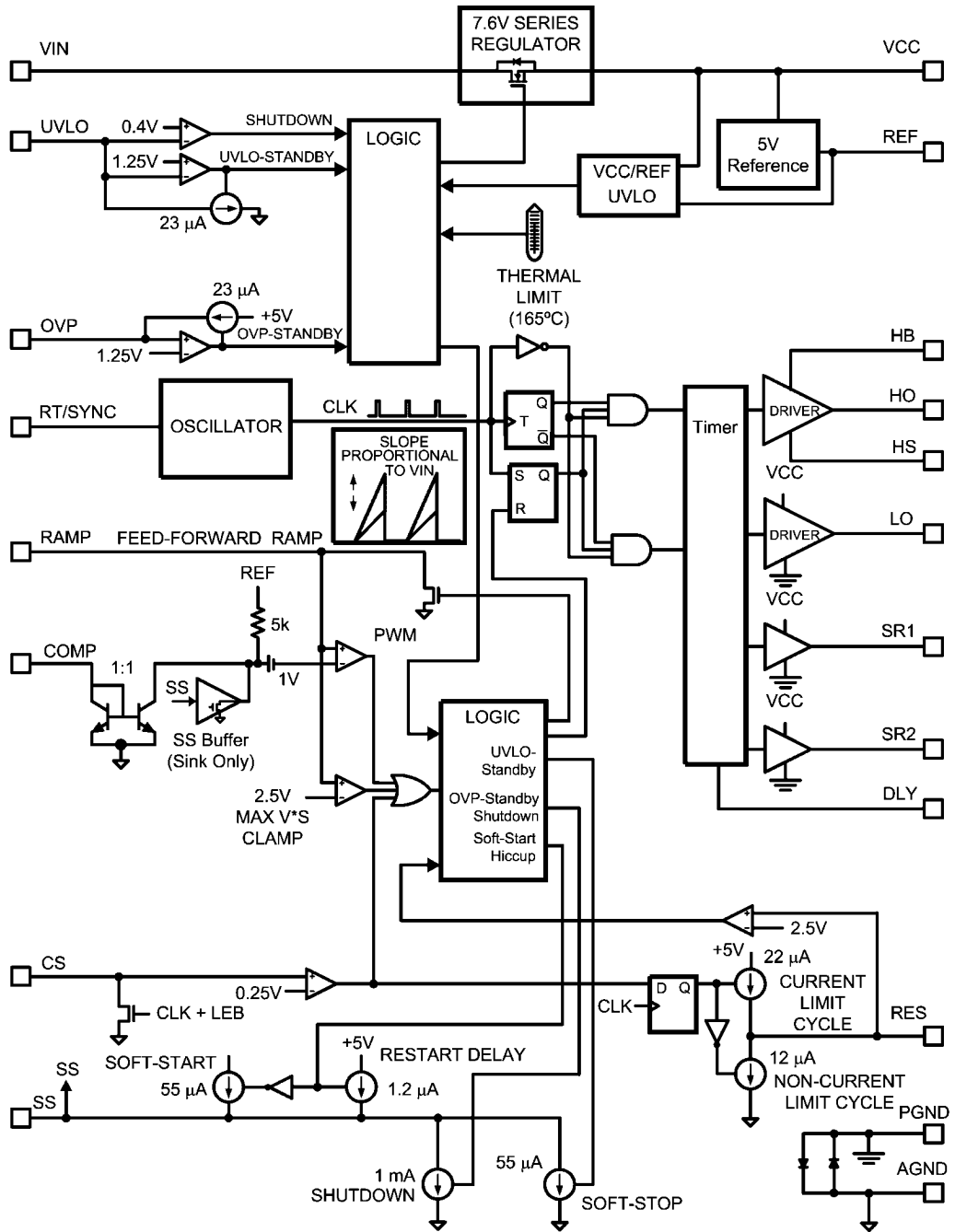


20177513



20177514

# Block Diagram



20177504

FIGURE 1.

## Functional Description

The LM5035 PWM controller contains all of the features necessary to implement half-bridge voltage-mode controlled power converters. The LM5035 provides two gate driver outputs to directly drive the primary side power MOSFETs and two signal level outputs to control secondary synchronous rectifiers through an isolation interface. Secondary side drivers, such as the LM5110, are typically used to provide the necessary gate drive current to control the sync MOSFETs. Synchronous rectification allows higher conversion efficiency and greater power density than conventional PN or Schottky rectifier techniques. The LM5035 can be configured to operate with bias voltages ranging from 8V to 105V. Additional features include line under-voltage lockout, cycle-by-cycle current limit, voltage feed-forward compensation, hiccup mode fault protection with adjustable delays, soft-start, a 2MHz capable oscillator with synchronization capability, precision reference, thermal shutdown and programmable volt-second clamping. These features simplify the design of voltage-mode half-bridge DC-DC power converters. The Functional Block Diagram is shown in *Figure 1*.

## High-Voltage Start-up Regulator

The LM5035 contains an internal high voltage start-up regulator that allows the input pin (VIN) to be connected directly to a nominal 48 VDC input voltage. The regulator input can withstand transients up to 105V. The regulator output at VCC (7.6V) is internally current limited to 25 mA typical. When the UVLO pin potential is greater than 0.4V, the VCC regulator is enabled to charge an external capacitor connected to the VCC pin. The VCC regulator provides power to the voltage reference (REF) and the output drivers (LO, SR1 and SR2). When the voltage on the VCC pin exceeds the UVLO threshold of 7.6V, the internal voltage reference (REF) reaches its regulation setpoint of 5V and the UVLO voltage is greater than 1.25V, the controller outputs are enabled. The value of the VCC capacitor depends on the total system design, and its start-up characteristics. The recommended range of values for the VCC capacitor is 0.1 $\mu$ F to 100 $\mu$ F.

The VCC under-voltage comparator threshold is lowered to 6.2V (typical) after VCC reaches the regulation set-point. If VCC falls below this value, the outputs are disabled, and the soft-start capacitor is discharged. If VCC increases above 7.6V, the outputs will be enabled and a soft-start sequence will commence.

The internal power dissipation of the LM5035 can be reduced by powering VCC from an external supply. In typical applications, an auxiliary transformer winding is connected through a diode to the VCC pin. This winding must raise the VCC voltage above 8.3V to shut off the internal start-up regulator. Powering VCC from an auxiliary winding improves efficiency while reducing the controller's power dissipation. The under-voltage comparator circuit will still function in this mode, requiring that VCC never falls below 6.2V during the start-up sequence.

During a fault mode, when the converter auxiliary winding is inactive, external current draw on the VCC line should be limited such that the power dissipated in the start-up regulator does not exceed the maximum power dissipation of the IC package.

An external DC bias voltage can be used instead of the internal regulator by connecting the external bias voltage to both

the VCC and the VIN pins. The external bias must be greater than 8.3V to exceed the VCC UVLO threshold and less than the VCC maximum operating voltage rating (15V).

## Line Under-Voltage Detector

The LM5035 contains a dual level Under-Voltage Lockout (UVLO) circuit. When the UVLO pin voltage is below 0.4V, the controller is in a low current shutdown mode. When the UVLO pin voltage is greater than 0.4V but less than 1.25V, the controller is in standby mode. In standby mode the VCC and REF bias regulators are active while the controller outputs are disabled. When the VCC and REF outputs exceed the VCC and REF under-voltage thresholds and the UVLO pin voltage is greater than 1.25V, the outputs are enabled and normal operation begins. An external set-point voltage divider from VIN to GND can be used to set the minimum operating voltage of the converter. The divider must be designed such that the voltage at the UVLO pin will be greater than 1.25V when VIN enters the desired operating range. UVLO hysteresis is accomplished with an internal 23 $\mu$ A current sink that is switched on or off into the impedance of the set-point divider. When the UVLO threshold is exceeded, the current sink is deactivated to quickly raise the voltage at the UVLO pin. When the UVLO pin voltage falls below the 1.25V threshold, the current sink is enabled causing the voltage at the UVLO pin to quickly fall. The hysteresis of the 0.4V shutdown comparator is internally fixed at 100mV.

The UVLO pin can also be used to implement various remote enable / disable functions. Turning off a converter by forcing the UVLO pin to the standby condition provides a controlled soft-stop. See the Soft Start section for more details.

## Line Over Voltage / Load Over Voltage / Remote Thermal Protection

The LM5035 provides a multipurpose OVP pin that supports several fault protection functions. When the OVP pin voltage exceeds 1.25V, the controller is held in standby mode which immediately halts the PWM pulses at the HO and LO pins. In standby mode, the VCC and REF bias regulators are active while the controller outputs are disabled. When the OVP pin voltage falls below the 1.25V OVP threshold, the outputs are enabled and normal soft-start sequence begins. Hysteresis is accomplished with an internal 23 $\mu$ A current source that is switched on or off into the impedance of the OVP pin set-point divider. When the OVP threshold is exceeded, the current source is enabled to quickly raise the voltage at the OVP pin. When the OVP pin voltage falls below the 1.25V threshold, the current source is disabled causing the voltage at the OVP pin to quickly fall.

Several examples of the use of this pin are provided in the Application Information section.

## Reference

The REF pin is the output of a 5V linear regulator that can be used to bias an opto-coupler transistor and external house-keeping circuits. The regulator output is internally current limited to 20mA (typical).

## Cycle-by-Cycle Current Limit

The CS pin is driven by a signal representative of the transformer primary current. If the voltage sensed at CS pin exceeds 0.25V, the current sense comparator terminates the HO or LO output driver pulse. If the high current condition persists, the controller operates in a cycle-by-cycle current limit mode with duty cycle determined by the current sense comparator instead of the PWM comparator. Cycle-by-cycle current limiting may trigger the hiccup mode restart cycle depending on the configuration of the RES pin (see below).

A small R-C filter connect to the CS pin and located near the controller is recommended to suppress noise. An internal 32Ω MOSFET connected to the CS input discharges the external current sense filter capacitor at the conclusion of every cycle. The discharge MOSFET remains on for an additional 50 ns after the HO or LO driver switches high to blank leading edge transients in the current sensing circuit. Discharging the CS pin filter each cycle and blanking leading edge spikes reduces the filtering requirements and improves the current sense response time.

The current sense comparator is very fast and responds to short duration noise pulses. Layout considerations are critical for the current sense filter and sense resistor. The capacitor associated with the CS filter must be placed very close to the device and connected directly to the CS and AGND pins. If a current sense transformer is used, both leads of the transformer secondary should be routed to the filter network, which should be located close to the IC. If a sense resistor located in the source of the main MOSFET switch is used for current sensing, a low inductance type of resistor is required. When designing with a current sense resistor, all of the noise sensitive low power ground connections should be connected together near the AGND pin, and a single connection should be made to the power ground (sense resistor ground point).

## Overload Protection Timer

The LM5035 provides a current limit restart timer to disable the outputs and force a delayed restart (hiccup mode) if a current limit condition is repeatedly sensed. The number of cycle-by-cycle current limit events required to trigger the restart is programmable by the external capacitor at the RES pin. During each PWM cycle, the LM5035 either sources or sinks current from the RES pin capacitor. If no current limit is detected during a cycle, a 12μA discharge current sink is enabled to pull the RES pin to ground. If a current limit is de-

tected, the 12μA sink current is disabled and a 22μA current source causes the voltage at the RES pin to gradually increase. The LM5035 protects the converter with cycle-by-cycle current limiting while the voltage at RES pin increases. If the RES voltage reaches the 2.5V threshold, the following restart sequence occurs (also see *Figure 2*):

- The RES capacitor and SS capacitors are fully discharged
- The soft-start current source is reduced from 55μA to 1μA
- The SS capacitor voltage slowly increases. When the SS voltage reaches  $\approx 1V$ , the PWM comparator will produce the first narrow output pulse. After the first pulse occurs, the SS source current reverts to the normal 55μA level. The SS voltage increases at its normal rate, gradually increasing the duty cycle of the output drivers
- If the overload condition persists after restart, cycle-by-cycle current limiting will begin to increase the voltage on the RES capacitor again, repeating the hiccup mode sequence
- If the overload condition no longer exists after restart, the RES pin will be held at ground by the 12μA current sink and normal operation resumes

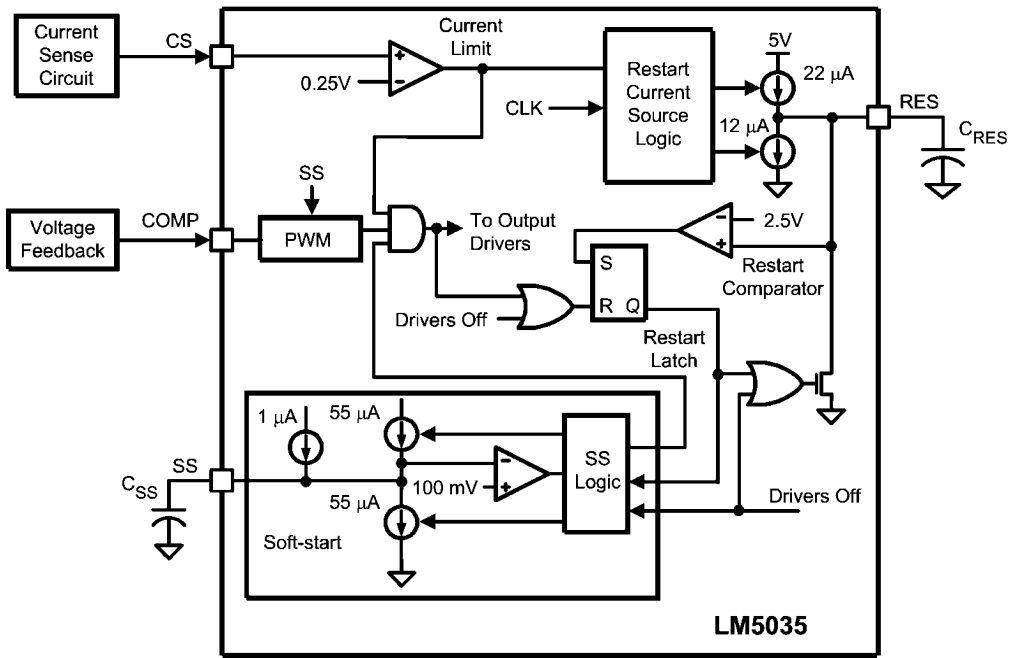
The overload timer function is very versatile and can be configured for the following modes of protection:

**1. Cycle-by-cycle only:** The hiccup mode can be completely disabled by connecting a zero to 50kΩ resistor from the RES pin to AGND. In this configuration, the cycle-by-cycle protection will limit the output current indefinitely and no hiccup sequences will occur.

**2. Hiccup only:** The timer can be configured for immediate activation of a hiccup sequence upon detection of an overload by leaving the RES pin open circuit.

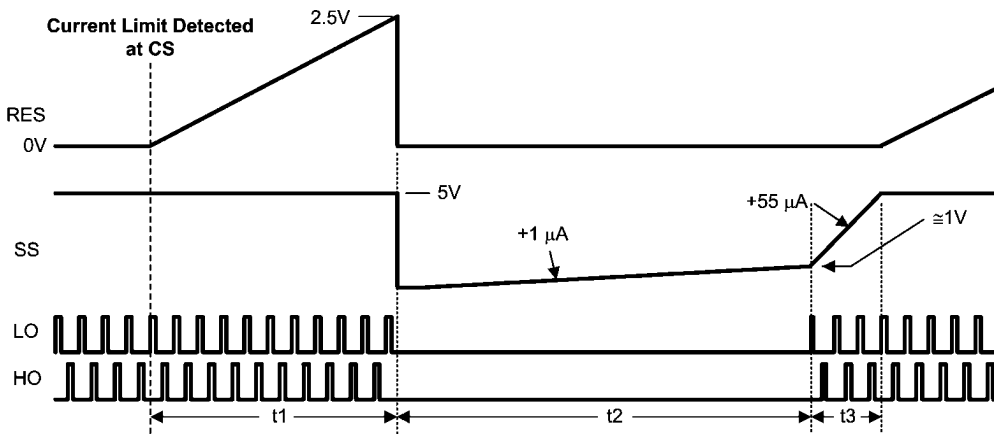
**3. Delayed Hiccup:** Connecting a capacitor to the RES pin provides a programmed interval of cycle-by-cycle limiting before initiating a hiccup mode restart, as previously described. The dual advantages of this configuration are that a short term overload will not cause a hiccup mode restart but during extended overload conditions, the average dissipation of the power converter will be very low.

**4. Externally Controlled Hiccup:** The RES pin can also be used as an input. By externally driving the pin to a level greater than the 2.5V hiccup threshold, the controller will be forced into the delayed restart sequence. For example, the external trigger for a delayed restart sequence could come from an over-temperature protection circuit or an output over-voltage sensor.



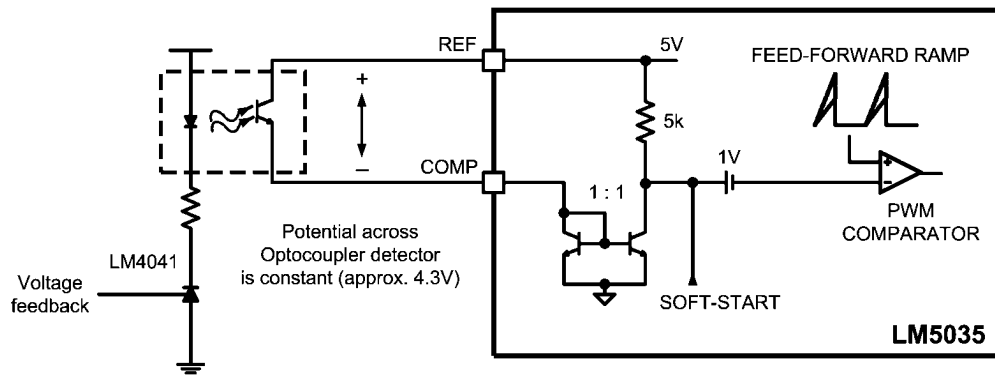
20177515

FIGURE 2. Current Limit Restart Circuit



20177516

FIGURE 3. Current Limit Restart Timing



20177517

FIGURE 4. Optocoupler to COMP Interface

## Soft-Start

The soft-start circuit allows the regulator to gradually reach a steady state operating point, thereby reducing start-up stresses and current surges. When bias is supplied to the LM5035, the SS pin capacitor is discharged by an internal MOSFET. When the UVLO, VCC and REF pins reach their operating thresholds, the SS capacitor is released and charged with a 55 $\mu$ A current source. The PWM comparator control voltage is clamped to the SS pin voltage by an internal amplifier. When the PWM comparator input reaches 1V, output pulses commence with slowly increasing duty cycle. The voltage at the SS pin eventually increases to 5V, while the voltage at the PWM comparator increases to the value required for regulation as determined by the voltage feedback loop.

One method to shutdown the regulator is to ground the SS pin. This forces the internal PWM control signal to ground, reducing the output duty cycle quickly to zero. Releasing the SS pin begins a soft-start cycle and normal operation resumes. A second shutdown method is discussed in the UVLO section.

## Soft-Stop

If the UVLO pin voltage falls below the 1.25V standby threshold but above the 0.4V shutdown threshold, the 55 $\mu$ A SS pin source current is disabled and a 55 $\mu$ A sink current discharges the soft-start capacitor. As SS voltage falls and clamps the PWM comparator input, the PWM duty cycle will gradually fall to zero. The soft-stop feature produces a gradual reduction of the power converter output voltage. This soft-stop method of turning off the converter reduces energy in the output capacitor before control of the main and synchronous rectification MOSFETs is disabled. The PWM pulses may cease before the SS voltage reduces the duty cycle if the VCC or REF voltage drops below the respective under-voltage thresholds during the soft-stop process.

## PWM Comparator

The pulse width modulation (PWM) comparator compares the voltage ramp signal at the RAMP pin to the loop error signal. This comparator is optimized for speed in order to achieve minimum controllable duty cycles. The loop error signal is received from the external feedback and isolation circuit in the form of a control current into the COMP pin. The COMP pin current is internally mirrored by a matched pair of NPN transistors which sink current through a 5k $\Omega$  resistor connected to the 5V reference. The resulting control voltage passes

through a 1V level shift before being applied to the PWM comparator.

An opto-coupler detector can be connected between the REF pin and the COMP pin. Because the COMP pin is controlled by a current input, the potential difference across the opto-coupler detector is nearly constant. The bandwidth limiting phase delay which is normally introduced by the significant capacitance of the opto-coupler is thereby greatly reduced. Higher loop bandwidths can be realized since the bandwidth-limiting pole associated with the opto-coupler is now at a much higher frequency. The PWM comparator polarity is configured such that with no current into the COMP pin, the controller produces the maximum duty cycle at the main gate driver outputs, HO and LO.

## Feed-Forward Ramp and Volt • Second Clamp

An external resistor ( $R_{FF}$ ) and capacitor ( $C_{FF}$ ) connected to VIN, AGND, and the RAMP pin are required to create the PWM ramp signal. The slope of the signal at RAMP will vary in proportion to the input line voltage. This varying slope provides line feed-forward information necessary to improve line transient response with voltage mode control. The RAMP signal is compared to the error signal by the pulse width modulator comparator to control the duty cycle of the HO and LO outputs. With a constant error signal, the on-time ( $T_{ON}$ ) varies inversely with the input voltage (VIN) to stabilize the Volt • Second product of the transformer primary signal. The power path gain of conventional voltage-mode pulse width modulators (oscillator generated ramp) varies directly with input voltage. The use of a line generated ramp (input voltage feed-forward) nearly eliminates this gain variation. As a result, the feedback loop is only required to make very small corrections for large changes in input voltage.

In addition to the PWM comparator, a Volt • Second Clamp comparator also monitors the RAMP pin. If the ramp amplitude exceeds the 2.5V threshold of the Volt • Second Clamp comparator, the on-time is terminated. The  $C_{FF}$  ramp capacitor is discharged by an internal 32 $\Omega$  discharge MOSFET controlled by the V•S Clamp comparator. If the RAMP signal does not exceed 2.5V before the end of the clock period, then the internal clock will enable the discharge MOSFET to reset capacitor  $C_{FF}$ .

By proper selection of  $R_{FF}$  and  $C_{FF}$  values, the maximum on-time of HO and LO can be set to the desired duration. The on-time set by the Volt • Second Clamp varies inversely to the line voltage because the RAMP capacitor is charged by a re-

sistor ( $R_{FF}$ ) connected to VIN while the threshold of the clamp is a fixed voltage (2.5V). An example will illustrate the use of the Volt • Second Clamp comparator to achieve a 50% duty cycle limit at 200kHz with a 48V line input. A 50% duty cycle at a 200kHz requires a 2.5 $\mu$ s on-time. To achieve this maximum on-time clamp level:

$$R_{FF} \times C_{FF} = \frac{T_{ON} + 10\%}{\ln \left[ \left( 1 - \frac{2.5V}{VIN} \right)^{-1} \right]} = \frac{2.5 \mu s + 0.25 \mu s}{\ln \left[ \left( 1 - \frac{2.5V}{48V} \right)^{-1} \right]} = 51.4 \mu s$$

The recommended capacitor value range for  $C_{FF}$  is 100pF to 1000pF. 470pF is a standard value that can be paired with an 110k $\Omega$  to approximate the desired 51.4 $\mu$ s time constant. If load transient response is slowed by the 10% margin, the  $R_{FF}$  value can be increased. The system signal-to-noise will be slightly decreased by increasing  $R_{FF} \times C_{FF}$ .

## Oscillator, Sync Capability

The LM5035 oscillator frequency is set by a single external resistor connected between the RT and AGND pins. To set a desired oscillator frequency, the necessary RT resistor is calculated from:

$$RT = \left( \frac{1}{F_{OSC}} - 110 \text{ ns} \right) \times 6.25 \times 10^9$$

For example, if the desired oscillator frequency is 400kHz (HO and LO each switching at 200kHz) a 15k $\Omega$  resistor would be the nearest standard one percent value.

Each output (HO, LO, SR1 and SR2) switches at half the oscillator frequency. The voltage at the RT pin is internally regulated to a nominal 2V. The RT resistor should be located as close as possible to the IC, and connected directly to the pins (RT and AGND). The tolerance of the external resistor, and the frequency tolerance indicated in the Electrical Characteristics, must be taken into account when determining the worst case frequency range.

The LM5035 can be synchronized to an external clock by applying a narrow pulse to the RT pin. The external clock must be at least 10% higher than the free-running oscillator frequency set by the RT resistor. If the external clock frequency is less than the RT resistor programmed frequency, the LM5035 will ignore the synchronizing pulses. The synchronization pulse width at the RT pin must be a minimum of 15 ns wide. The clock signal should be coupled into the RT pin through a 100pF capacitor or a value small enough to ensure the pulse width at RT is less than 60% of the clock period under all conditions. When the synchronizing pulse transi-

tions low-to-high (rising edge), the voltage at the RT pin must be driven to exceed 3.2V volts from its nominal 2 VDC level. During the clock signal's low time, the voltage at the RT pin will be clamped at 2 VDC by an internal regulator. The output impedance of the RT regulator is approximately 100 $\Omega$ . The RT resistor is always required, whether the oscillator is free running or externally synchronized.

## Gate Driver Outputs (HO & LO)

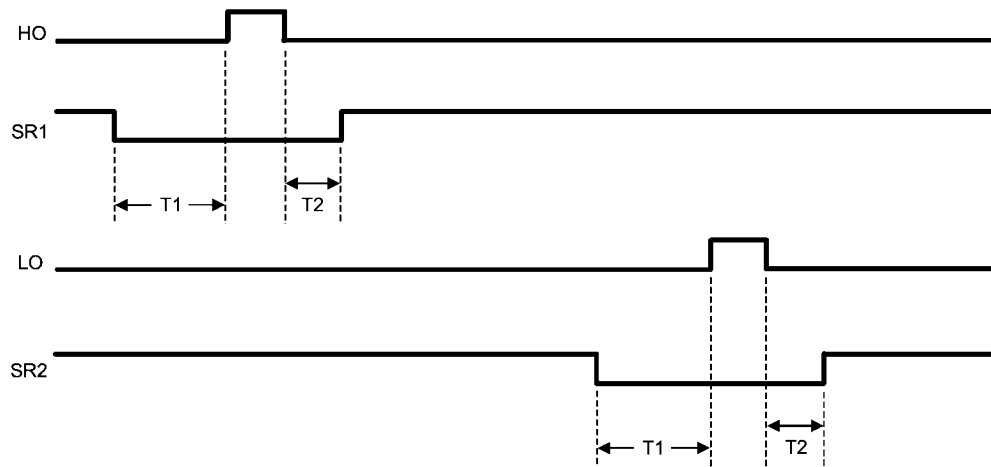
The LM5035 provides two alternating gate driver outputs, the floating high side gate driver HO and the ground referenced low side driver LO. Each driver is capable of sourcing 1.25A and sinking 2A peak. The HO and LO outputs operate in an alternating manner, at one-half the internal oscillator frequency. The LO driver is powered directly by the VCC regulator. The HO gate driver is powered from a bootstrap capacitor connected between HB and HS. An external diode connected between VCC (anode pin) and HB (cathode pin) provides the high side gate driver power by charging the bootstrap capacitor from VCC when the switch node (HS pin) is low. When the high side MOSFET is turned on, HB rises to a peak voltage equal to  $V_{VCC} + V_{HS}$  where  $V_{HS}$  is the switch node voltage. The HB and VCC capacitors should be placed close to the pins of the LM5035 to minimize voltage transients due to parasitic inductances since the peak current sourced to the MOSFET gates can exceed 1.25A. The recommended value of the HB capacitor is 0.01 $\mu$ F or greater. A low ESR / ESL capacitor, such as a surface mount ceramic, should be used to prevent voltage droop during the HO transitions.

The maximum duty cycle for each output is limited to slightly less than 50% due to the internally fixed deadtime and any programmed sync rectifier delay. The typical deadtime in this condition is 70 ns. The programmed sync rectifier delay is determined by the DLY pin resistor. If the COMP pin is open circuit, the outputs will operate at maximum duty cycle. The maximum duty cycle for each output can be calculated with the following equation:

$$\text{Maximum Duty Cycle} = \frac{\frac{1}{2} T_S - T_D - T_1}{T_S}$$

Where  $T_S$  is the period of one complete cycle for either the HO or LO outputs,  $T_D$  is the internally fixed deadtime, and  $T_1$  is the programmed sync rectifier delay. For example, if the oscillator frequency is 200 kHz, each output will cycle at 100 kHz ( $T_S = 10 \mu s$ ). Using the nominal deadtime of 70 ns and no programmed delay, the maximum duty cycle at this frequency is calculated to be 49.3%. Using a programmed sync rectifier delay of 100 ns, the maximum duty cycle is reduced to 48.3%.





20177521

FIGURE 5. HO, LO, SR1 and SR2 Timing Diagram

## Synchronous Rectifier Control Outputs (SR1 & SR2)

Synchronous rectification (SR) of the transformer secondary provides higher efficiency, especially for low output voltage converters. The reduction of rectifier forward voltage drop (0.5V - 1.5V) to 10mV - 200mV  $V_{DS}$  voltage for a MOSFET significantly reduces rectification losses. In a typical application, the transformer secondary winding is center tapped, with the output power inductor in series with the center tap. The SR MOSFETs provide the ground path for the energized secondary winding and the inductor current. *Figure 5* shows that the SR2 MOSFET is conducting while HO enables power transfer from the primary. The SR1 MOSFET must be disabled during this period since the secondary winding connected to the SR1 MOSFET drain is twice the voltage of the center tap. At the conclusion of the HO pulse, the inductor current continues to flow through the SR1 MOSFET body diode. Since the body diode causes more loss than the SR MOSFET, efficiency can be improved by minimizing the T2 period while maintaining sufficient timing margin over all conditions (component tolerances, etc.) to prevent shoot-through current. When LO enables power transfer from the primary, the SR1 MOSFET is enabled and the SR2 MOSFET is off.

During the time that neither HO nor LO is active, the inductor current is shared between both the SR1 and SR2 MOSFETs which effectively shorts the transformer secondary and cancels the inductance in the windings. The SR2 MOSFET is disabled before LO delivers power to the secondary to prevent power being shunted to ground. The SR2 MOSFET body diode continues to carry about half the inductor current until the primary power raises the SR2 MOSFET drain voltage and reverse biases the body diode. Ideally, dead-time T1 would be set to the minimum time that allows the SR MOSFET to turn off before the SR MOSFET body diode starts conducting.

The SR1 and SR2 outputs are powered directly by the VCC regulator. Each output is capable of sourcing and sinking 0.5A

peak. Typically, the SR1 and SR2 signals control SR MOSFET gate drivers through a pulse transformer. The actual gate sourcing and sinking currents are provided by the secondary-side bias supply and gate drivers.

The timing of SR1 and SR2 with respect to HO and LO is shown in *Figure 5*. SR1 is configured out of phase with HO and SR2 is configured out of phase with LO. The deadtime between transitions is programmable by a resistor connected from the DLY pin to the AGND pin. Typically,  $R_{DLY}$  is set in the range of 10k $\Omega$  to 100k $\Omega$ . The deadtime periods can be calculated using the following formulae:

$$T1 = [R_{DLY} \times 2.8ps] + 20ns$$

$$T2 = [R_{DLY} \times 1.35ps] + 6ns$$

To set the minimum (propagation delays only) deadtime, the DLY pin should be left open or connected to the REF pin. Any resistor value above 300k $\Omega$  connected between the DLY pin and AGND will also provide the minimum period (approximately 5 ns).

## Thermal Protection

Internal Thermal Shutdown circuitry is provided to protect the integrated circuit in the event the maximum rated junction temperature is exceeded. When activated, typically at 165°C, the controller is forced into a low power standby state with the output drivers (HO, LO, SR1 and SR2), the bias regulators (VCC and REF) disabled. This helps to prevent catastrophic failures from accidental device overheating. During thermal shutdown, the soft-start capacitor is fully discharged and the controller follows a normal start-up sequence after the junction temperature falls to the operating level (145°C).

## Applications Information

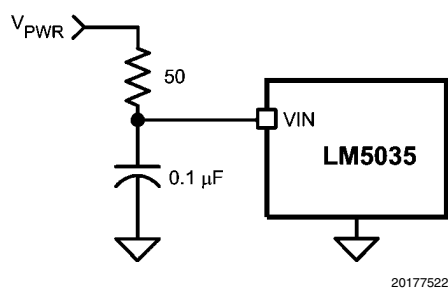
The following information is intended to provide guidelines for the power supply designer using the LM5035.

### VIN

The voltage applied to the VIN pin, which may be the same as the system voltage applied to the power transformer's primary ( $V_{PWR}$ ), can vary in the range of 13 to 105V. The current into VIN depends primarily on the gate charge provided to the output drivers, the switching frequency, and any external loads on the VCC and REF pins. It is recommended the filter shown in *Figure 6* be used to suppress transients which may occur at the input supply. This is particularly important when VIN is operated close to the maximum operating rating of the LM5035.

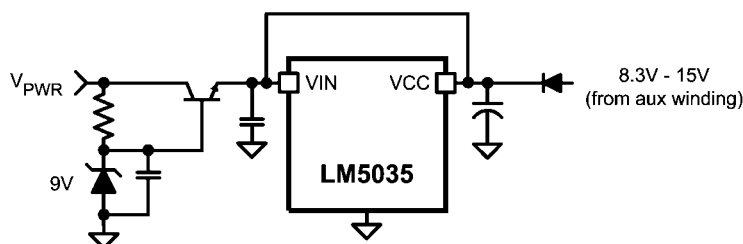
When power is applied to VIN and the UVLO pin voltage is greater than 0.4V, the VCC regulator is enabled and supplies current into an external capacitor connected to the VCC pin. When the voltage on the VCC pin reaches the regulation point of 7.6V, the voltage reference (REF) is enabled. The reference regulation set point is 5V. The HO, LO, SR1 and SR2 outputs are enabled when the two bias regulators reach their set point and the UVLO pin potential is greater than 1.25V. In typical applications, an auxiliary transformer winding is connected through a diode to the VCC pin. This winding must raise the VCC voltage above 8.3V to shut off the internal start-up regulator.

After the outputs are enabled and the external VCC supply voltage has begun supplying power to the IC, the current into VIN drops below 1 mA. VIN should remain at a voltage equal to or above the VCC voltage to avoid reverse current through protection diodes.



20177522

FIGURE 6. Input Transient Protection



20177523

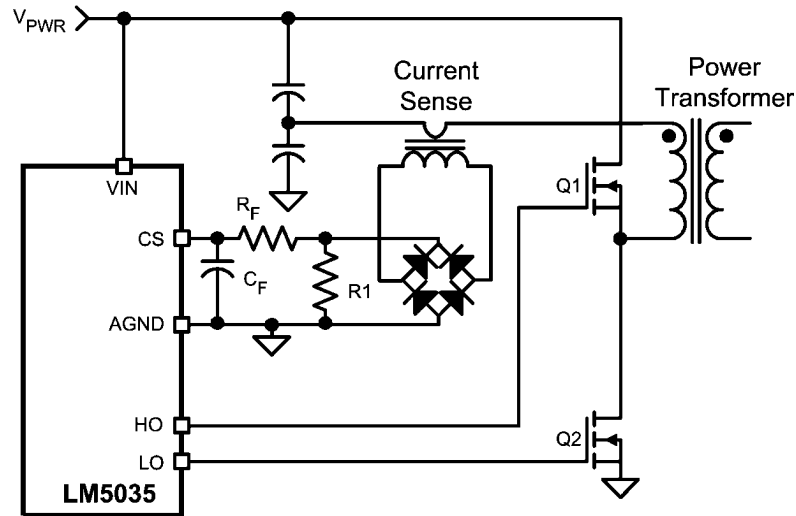
FIGURE 7. Start-Up Regulator for  $V_{PWR} > 100V$

### FOR APPLICATIONS >100V

For applications where the system input voltage exceeds 100V or the IC power dissipation is of concern, the LM5035 can be powered from an external start-up regulator as shown in *Figure 7*. In this configuration, the VIN and the VCC pins should be connected together, which allows the LM5035 to be operated below 13V. The voltage at the VCC pin must be greater than 8.3V yet not exceed 15V. An auxiliary winding can be used to reduce the power dissipation in the external regulator once the power converter is active. The NPN base-emitter reverse breakdown voltage, which can be as low as 5V for some transistors, should be considered when selecting the transistor.

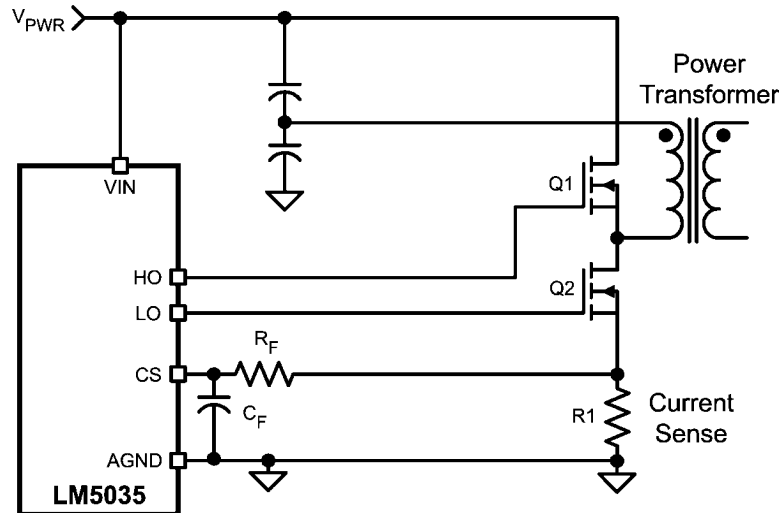
### CURRENT SENSE

The CS pin needs to receive an input signal representative of the transformer's primary current, either from a current sense transformer or from a resistor in series with the source of the LO switch, as shown in *Figure 8* and *Figure 9*. In both cases, the sensed current creates a ramping voltage across R1, and the  $R_F/C_F$  filter suppresses noise and transients. R1,  $R_F$  and  $C_F$  should be located as close to the LM5035 as possible, and the ground connection from the current sense transformer, or R1, should be a dedicated track to the AGND pin. The current sense components must provide greater than 0.25V at the CS pin when an over-current condition exists.



20177524

FIGURE 8. Current Sense Using Current Sense Transformer



20177525

FIGURE 9. Current Sense Using Current Sense Resistor (R1)

If the current sense resistor method is used, the over-current condition will only be sensed while LO is driving the low-side MOSFET. Over-current while HO is driving the high-side MOSFET will not be detected. In this configuration, it will take 4 times as long for continuous cycle-by-cycle current limiting to initiate a restart event since each over-current event during LO enables the 22 $\mu$ A RES pin current source for one oscillator period, and then the lack of an over-current event during HO enables the 12 $\mu$ A RES pin current sink for one oscillator period. The time average of this toggling is equivalent to a continuous 5 $\mu$ A current source into the RES capacitor, increasing the delay by a factor of four. The value of the RES capacitor can be reduced to decrease the time before restart cycle is initiated.

When using the resistor current sense method, an imbalance in the input capacitor voltages may develop when operating in cycle-by-cycle current limiting mode. If the imbalance persists for an extended period, excessive currents in the non-

sensed MOSFET, and possible transformer saturation may result. This condition is inherent to the half-bridge topology operated with cycle-by-cycle current limiting and is compounded by only sensing in one leg of the half-bridge circuit. The imbalance is greatest at large duty cycles (low input voltages). If using this method, it is recommended that the capacitor on the RES pin be no larger than 220 pF. Check the final circuit and reduce the RES capacitor further, or omit the capacitor completely to ensure the voltages across the bridge capacitors remain balanced. The current limit value may decrease slightly as the RES capacitor is reduced.

#### HO, HB, HS and LO

Attention must be given to the PC board layout for the low-side driver and the floating high-side driver pins HO, HB and HS. A low ESR/ESL capacitor (such as a ceramic surface mount capacitor) should be connected close to the LM5035, between HB and HS to provide high peak currents during turn-

on of the high-side MOSFET. The capacitor should be large enough to supply the MOSFET gate charge ( $Q_g$ ) without discharging to the point where the drop in gate voltage affects the MOSFET  $R_{DS(ON)}$ . A value ten to twenty times  $Q_g$  is recommended.

$$C_{BOOST} = 20 \times \frac{Q_g}{VCC}$$

The diode ( $D_{BOOST}$ ) that charges  $C_{BOOST}$  from VCC when the low-side MOSFET is conducting should be capable of withstanding the full converter input voltage range. When the high-side MOSFET is conducting, the reverse voltage at the diode is approximately the same as the MOSFET drain voltage because the high-side driver is boosted up to the converter input voltage by the HS pin, and the high side MOSFET gate is driven to the HS voltage plus VCC. Since the anode of  $D_{BOOST}$  is connected to VCC, the reverse potential across the diode is equal to the input voltage minus the VCC voltage.  $D_{BOOST}$  average current is less than 20mA in most applications, so a low current ultra-fast recovery diode is recommended to limit the loss due to diode junction capacitance. Schottky diodes are also a viable option, particularly for lower input voltage applications, but attention must be paid to leakage currents at high temperatures.

The internal gate drivers need a very low impedance path to the respective decoupling capacitors; the VCC cap for the LO driver and  $C_{BOOST}$  for the HO driver. These connections should be as short as possible to reduce inductance and as wide as possible to reduce resistance. The loop area, defined by the gate connection and its respective return path, should be minimized.

The high-side gate driver can also be used with HS connected to PGND for applications other than a half bridge converter (e.g. Push-Pull). The HB pin is then connected to VCC, or any supply greater than the high-side driver undervoltage lockout (approximately 6.5V). In addition, the high-side driver can be configured for high voltage offline applications where the high-side MOSFET gate is driven via a gate drive transformer.

#### PROGRAMMABLE DELAY (DLY)

The  $R_{DLY}$  resistor programs the delays between the SR1 and SR2 signals and the HO and LO driver outputs. *Figure 5* shows the relationship between these outputs. The DLY pin is nominally set at 2.5V and the current is sensed through  $R_{DLY}$  to ground. This current is used to adjust the amount of deadtime before the HO and LO pulse (T1) and after the HO and LO pulse (T2). Typically  $R_{DLY}$  is in the range of 10k $\Omega$  to 100k $\Omega$ . The deadtime periods can be calculated using the following formulae:

$$T1 = [R_{DLY} \times 2.8ps] + 20ns$$

$$T2 = [R_{DLY} \times 1.35ps] + 6ns$$

T1 and T2 can be set to minimum by not connecting a resistor to DLY, connecting a resistor greater than 300k $\Omega$  from DLY to ground, or connecting DLY to the REF pin. This may cause lower than optimal system efficiency if the delays through the SR signal transformer network, the secondary gate drivers and the SR MOSFETs are greater than the delay to turn on

the HO or LO MOSFETs. Should an SR MOSFET remain on while the opposing primary MOSFET is supplying power through the power transformer, the secondary winding will experience a momentary short circuit, causing a significant power loss to occur.

When choosing the  $R_{DLY}$  value, worst case propagation delays and component tolerances should be considered to assure that there is never a time where both SR MOSFETs are enabled AND one of the primary side MOSFETs is enabled. The time period T1 should be set so that the SR MOSFET is turned off before the primary MOSFET is enabled. Conversely, T1 and T2 should be kept as low as tolerances allow to optimize efficiency. The SR body diode conducts during the time between the SR MOSFET turns off and the power transformer begins supplying energy. Power losses increase when this happens since the body diode voltage drop is many times higher than the MOSFET channel voltage drop. The interval of body diode conduction can be observed with an oscilloscope as a negative 0.7V to 1.5V pulse at the SR MOSFET drain.

#### UVLO AND OVP VOLTAGE DIVIDER SELECTION FOR R1, R2, AND R3

Two dedicated comparators connected to the UVLO and OVP pins are used to detect under-voltage and over-voltage conditions. The threshold value of these comparators,  $V_{UVLO}$  and  $V_{OVP}$ , is 1.25V (typical). The two functions can be programmed independently with two voltage dividers from VIN to AGND as shown in *Figure 10* and *Figure 11*, or with a three-resistor divider as shown in *Figure 12*. Independent UVLO and OVP pins provide greater flexibility for the user to select the operational voltage range of the system. Hysteresis is accomplished by 23 $\mu$ A current sources ( $I_{UVLO}$  and  $I_{OVP}$ ), which are switched on or off into the sense pin resistor dividers as the comparators change state.

When the UVLO pin voltage is below 0.4V, the controller is in a low current shutdown mode. For a UVLO pin voltage greater than 0.4V but less than 1.25V the controller is in standby mode. Once the UVLO pin voltage is greater than 1.25V, the controller is fully enabled. Two external resistors can be used to program the minimum operational voltage for the power converter as shown in *Figure 10*. When the UVLO pin voltage falls below the 1.25V threshold, an internal 23  $\mu$ A current sink is enabled to lower the voltage at the UVLO pin, thus providing threshold hysteresis. Resistance values for R1 and R2 can be determined from the following equations.

$$R_1 = \frac{V_{HYS}}{23 \mu A}$$

$$R_2 = \frac{1.25V \times R_1}{V_{PWR} - 1.25V - (23 \mu A \times R_1)}$$

where  $V_{PWR}$  is the desired turn-on voltage and  $V_{HYS}$  is the desired UVLO hysteresis at  $V_{PWR}$ .

For example, if the LM5035 is to be enabled when  $V_{PWR}$  reaches 34V, and disabled when  $V_{PWR}$  is decreased to 32V, R1 should be 87k $\Omega$ , and R2 should be 3.54k $\Omega$ . The voltage at the UVLO pin should not exceed 7V at any time. Be sure to check both the power and voltage rating (0603 resistors can be rated as low as 50V) for the selected R1 resistor.

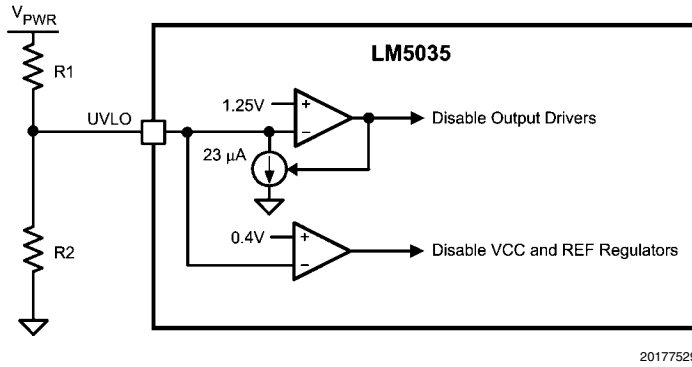


FIGURE 10. Basic UVLO Configuration

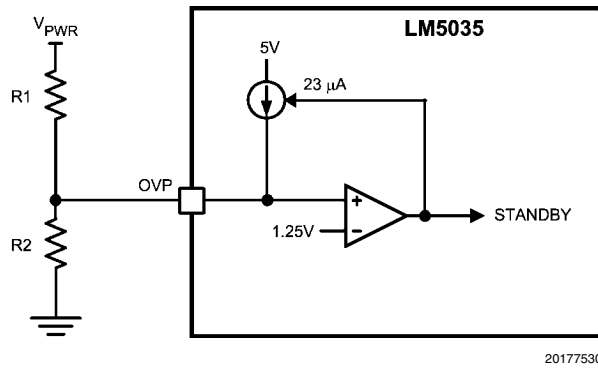


FIGURE 11. Basic Over-Voltage Protection

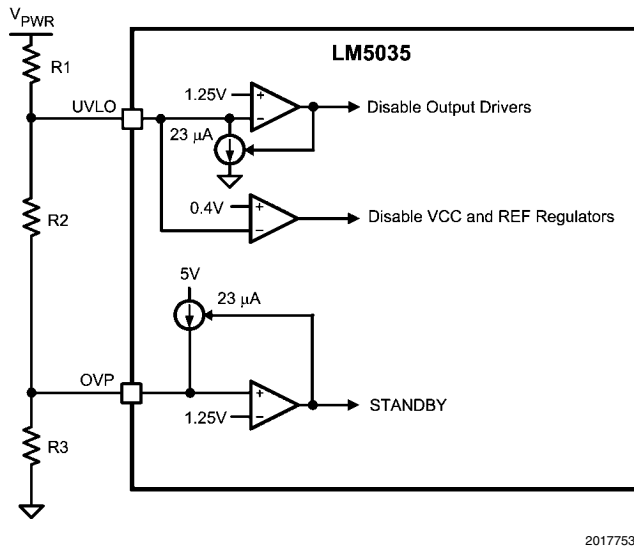


FIGURE 12. UVLO/OVP Divider

The impedance seen looking into the resistor divider from the UVLO and OVP pins determines the hysteresis level. UVLO and OVP enable and disable thresholds are calculated using

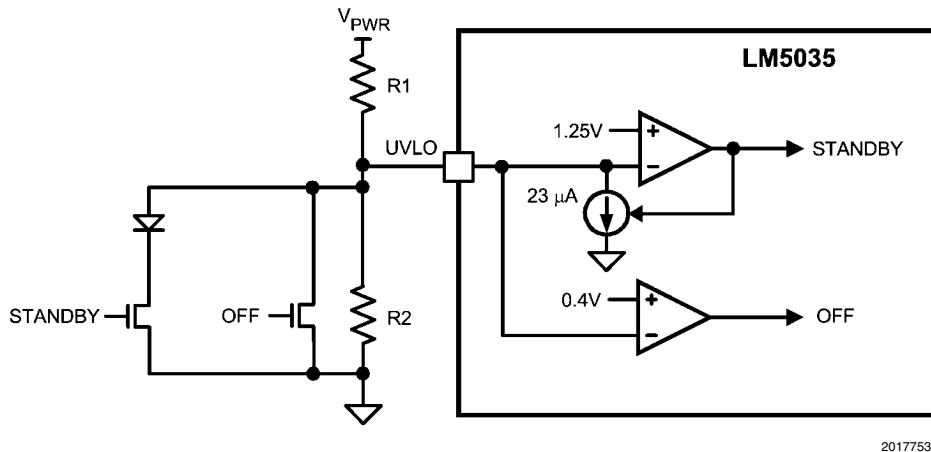
the equations in the table below for the three-resistor divider illustrated in *Figure 12*.

TABLE 1. UVLO/OVP Divider Formulas

Outputs disabled due to VIN falling below UVLO threshold	$UVLO_{off} = 1.25V \times \left( \frac{R_1 + R_2 + R_3}{R_2 + R_3} \right)$
Outputs enabled due to VIN rising above UVLO threshold	$UVLO_{on} = UVLO_{off} + (23\mu A \times R_1)$
Outputs disabled due to VIN rising above OVP threshold	$OVP_{off} = 1.25V \times \left( \frac{R_1 + R_2 + R_3}{R_3} \right)$
Outputs enabled due to VIN falling below OVP threshold	$OVP_{on} = OVP_{off} - [23\mu A \times (R_1 + R_2)]$

The typical operating ranges of undervoltage and overvoltage thresholds are calculated from the above equations. For example, for resistor values  $R_1 = 86.6k\Omega$ ,  $R_2 = 2.10k\Omega$  and  $R_3 = 1.40k\Omega$  the computed thresholds are:

UVLO turn-off = 32.2V  
 UVLO turn-on = 34.2V  
 OVP turn-on = 78.4V  
 OVP turn-off = 80.5V



20177536

FIGURE 13. Remote Standby and Disable Control

To maintain the threshold's accuracy, a resistor tolerance of 1% or better is recommended.

The design process starts with the choice of the voltage difference between the UVLO enabling and disabling thresholds. This will also approximately set the difference between OVP enabling and disabling regulation:

$$R_1 = \frac{UVLO_{on} - UVLO_{off}}{23 \mu A}$$

Next, the combined resistance of  $R_2$  and  $R_3$  is calculated by choosing the threshold for the UVLO disabling threshold:

$$R_{COMBINED} = \frac{1.25V \times R_1}{UVLO_{off} - 1.25V}$$

Then  $R_3$  is determined by selecting the OVP disabling threshold:

$$R_3 = \frac{1.25V \times (R_1 + R_{COMBINED})}{OVP_{off}}$$

Finally,  $R_3$  is subtracted from  $R_{COMBINED}$  to give  $R_2$ :

$$R_2 = R_{COMBINED} - R_3$$

Remote configuration of the controller's operational modes can be accomplished with open drain device(s) connected to the UVLO pin as shown in *Figure 13*.

#### FAULT PROTECTION

The Over Voltage Protection (OVP) comparator of the LM5035 can be configured for line or load fault protection or thermal protection using an external temperature sensor or thermistor. *Figure 11* shows a line over voltage shutdown application using a voltage divider between the input power supply,  $V_{PWR}$ , and AGND to monitor the line voltage.

*Figure 14* demonstrates the use of the OVP pin for latched output over-voltage fault protection, using a zener and opto-coupler. When  $V_{OUT}$  exceeds the conduction threshold of the opto-coupler diode and zener, the opto-coupler momentarily turns on Q1 and the LM5035 enters standby mode, disabling the drivers and enabling the hysteresis current source on the OVP pin. Once the current source is enabled, the OVP voltage will remain at 2.3V ( $23\mu A \times 100k\Omega$ ) without additional drive from the external circuit. If the opto-coupler transistor emitter were directly connected to the OVP pin, then leakage current in the zener diode amplified by the opto-coupler's gain could falsely trip the protection latch.  $R_1$  and Q1 are added to reduce the sensitivity to low level currents in the opto-coupler. Using the values of *Figure 14*, the opto-coupler collector current must equal  $V_{BE(Q1)} / R_1 = 350\mu A$  before OVP latches.

Once the controller has switched to standby mode, the outputs no longer switch but the VCC and REF regulators continue functioning and supply bias to the external circuitry. VCC

must fall below 6.2V or the UVLO pin must fall below 0.4V to clear the OVP latch.

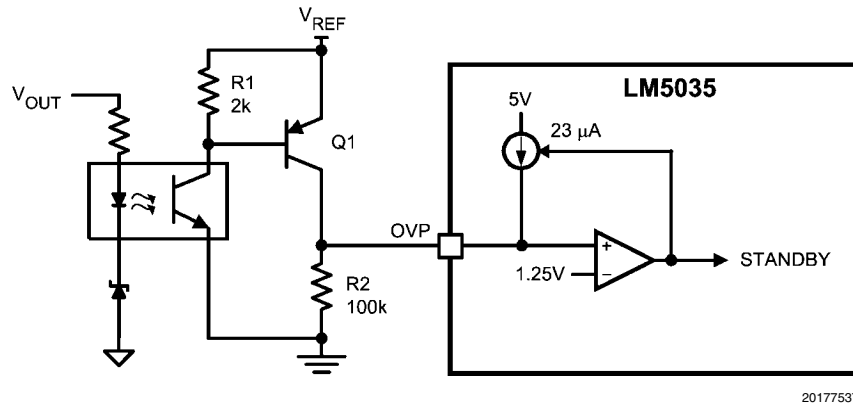


FIGURE 14. Latched Load Over-Voltage Protection

Figure 15 shows an application of the OVP comparator for Remote Thermal Protection using a thermistor (or multiple thermistors) which may be located near the main heat sources of the power supply. The negative temperature coefficient (NTC) thermistor is nearly logarithmic, and in this example a 100kΩ thermistor with the β material constant of 4500 kelvins changes to approximately 2kΩ at 130°C. Setting R1 to one-third of this resistance (665Ω) establishes 130°C as the desired trip point (for V<sub>REF</sub> = 5V). In a temperature band

from 20°C below to 20°C above the OVP threshold, the voltage divider is nearly linear with 25mV per°C sensitivity. R2 provides temperature hysteresis by raising the OVP comparator input by R2 x 23µA. For example, if a 22kΩ resistor is selected for R2, then the OVP pin voltage will increase by 22kΩ x 23µA = 506mV. The NTC temperature must therefore fall by 506mV / 25mV per°C = 20°C before the LM5035 switches from the standby mode to the normal mode.

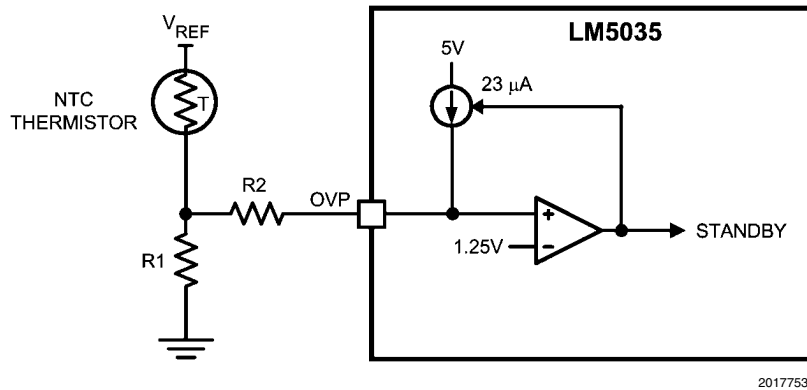


FIGURE 15. Remote Thermal Protection

**HICCUP MODE CURRENT LIMIT RESTART (RES)**

The basic operation of the hiccup mode current limit restart is described in the functional description. The delay time to

restart is programmed with the selection of the RES pin capacitor C<sub>RES</sub> as illustrated in Figure 15.

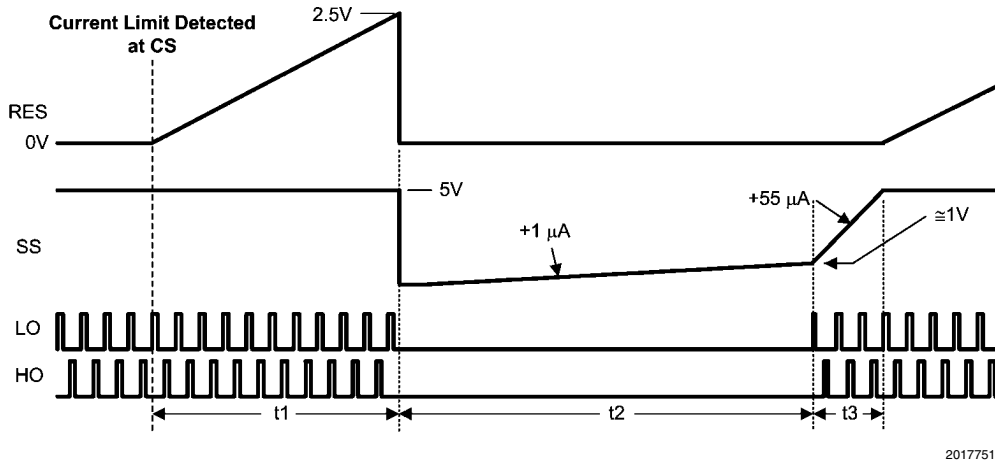


FIGURE 16. Hiccup Over-Load Restart Timing

In the case of continuous cycle-by-cycle current limit detection at the CS pin, the time required for  $C_{RES}$  to reach the 2.5V hiccup mode threshold is:

$$t1 = \frac{C_{RES} \times 2.5V}{22 \mu A} = 114 \text{ k}\Omega \times C_{RES}$$

For example, if  $C_{RES} = 0.01\mu F$  the time  $t1$  is approximately 1.14 ms.

The cool down time,  $t2$  is set by the soft-start capacitor ( $C_{SS}$ ) and the internal  $1\mu A$  SS current source, and is equal to:

$$t2 = \frac{C_{SS} \times 1V}{1 \mu A} = 1 \text{ M}\Omega \times C_{SS}$$

If  $C_{SS} = 0.01 \mu F$   $t2$  is  $\approx 10$  ms.

The soft-start time  $t3$  is set by the internal  $55\mu A$  current source, and is equal to:

$$t3 = \frac{C_{SS} \times 4V}{55 \mu A} = 73 \text{ k}\Omega \times C_{SS}$$

If  $C_{SS} = 0.01 \mu F$   $t3$  is  $\approx 730\mu s$ .

The time  $t2$  provides a periodic cool-down time for the power converter in the event of a sustained overload or short circuit. This off time results in lower average input current and lower power dissipation within the power components. It is recommended that the ratio of  $t2 / (t1 + t3)$  be in the range of 5 to 10 to take advantage of this feature.

If the application requires no delay from the first detection of a current limit condition to the onset of the hiccup mode ( $t1 = 0$ ), the RES pin can be left open (no external capacitor). If it is desired to disable the hiccup mode entirely, the RES pin should be connected to ground (AGND).

## Printed Circuit Board Layout

The LM5035 Current Sense and PWM comparators are very fast, and respond to short duration noise pulses. The components at the CS, COMP, SS, OVP, UVLO, DLY and the RT

pins should be as physically close as possible to the IC, thereby minimizing noise pickup on the PC board tracks.

Layout considerations are critical for the current sense filter. If a current sense transformer is used, both leads of the transformer secondary should be routed to the sense filter components and to the IC pins. The ground side of the transformer should be connected via a dedicated PC board track to the AGND pin, rather than through the ground plane.

If the current sense circuit employs a sense resistor in the drive transistor source, low inductance resistors should be used. In this case, all the noise sensitive, low-current ground tracks should be connected in common near the IC, and then a single connection made to the power ground (sense resistor ground point).

The gate drive outputs of the LM5035 should have short, direct paths to the power MOSFETs in order to minimize inductance in the PC board traces. The SR control outputs should also have minimum routing distance through the pulse transformers and through the secondary gate drivers to the sync FETs.

The two ground pins (AGND, PGND) must be connected together with a short, direct connection, to avoid jitter due to relative ground bounce.

If the internal dissipation of the LM5035 produces high junction temperatures during normal operation, the use of multiple vias under the IC to a ground plane can help conduct heat away from the IC. Judicious positioning of the PC board within the end product, along with use of any available air flow (forced or natural convection) will help reduce the junction temperatures. If using forced air cooling, avoid placing the LM5035 in the airflow shadow of tall components, such as input capacitors.

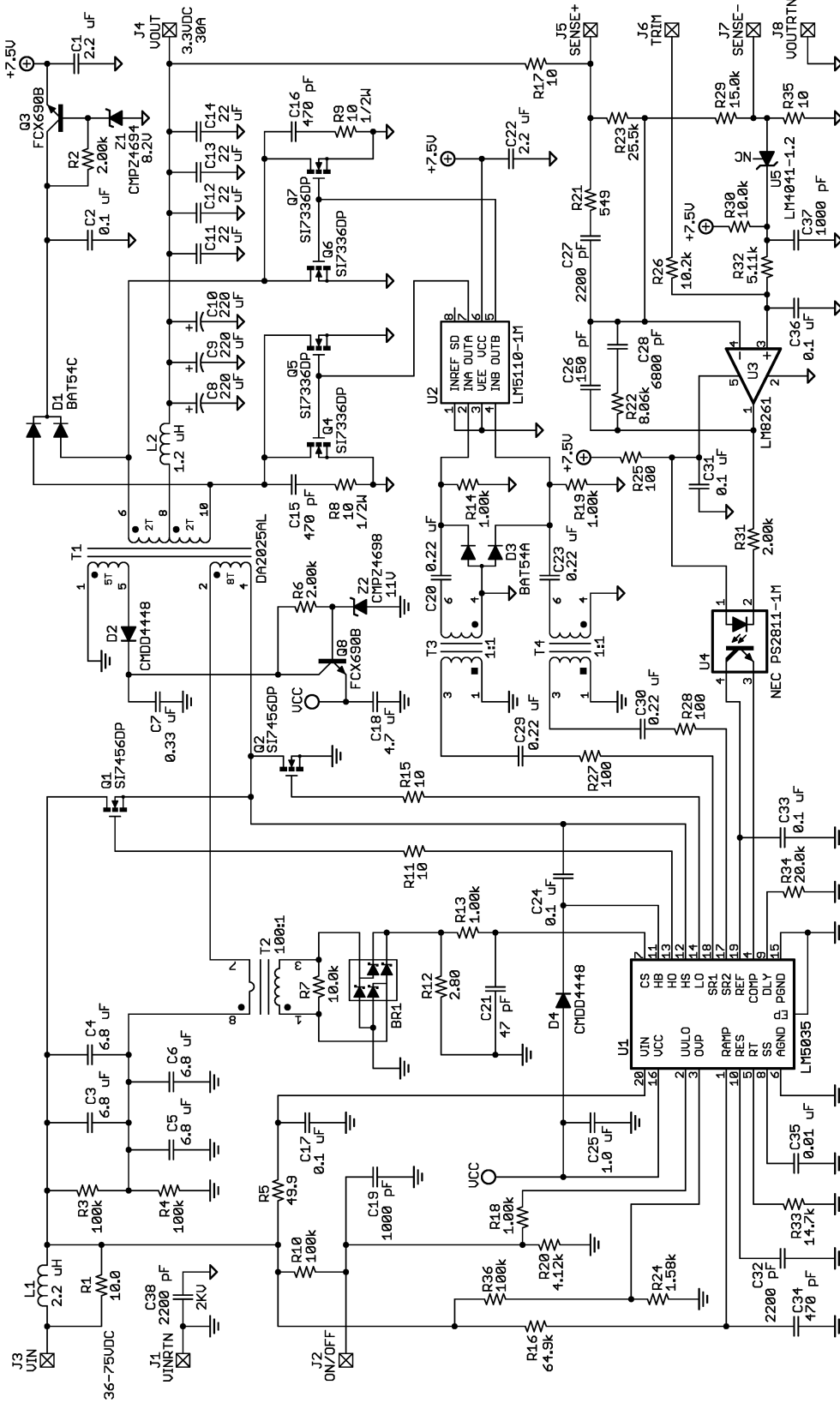
## Application Circuit Example

The following schematic shows an example of a 100W half-bridge power converter controlled by the LM5035. The operating input voltage range ( $V_{PWR}$ ) is 36V to 75V, and the output voltage is 3.3V. The output current capability is 30 Amps. Current sense transformer T2 provides information to the CS pin for current limit protection. The error amplifier and reference, U3 and U5 respectively, provide voltage feedback via opto-coupler U4. Synchronous rectifiers Q4, Q5, Q6 and Q7 minimize rectification losses in the secondary. An auxiliary



winding on transformer T1 provides power to the LM5035 VCC pin when the output is in regulation. The input voltage UVLO thresholds are  $\approx 34\text{V}$  for increasing  $V_{\text{PWR}}$ , and  $\approx 32\text{V}$  for decreasing  $V_{\text{PWR}}$ . The circuit can be shut down by driving

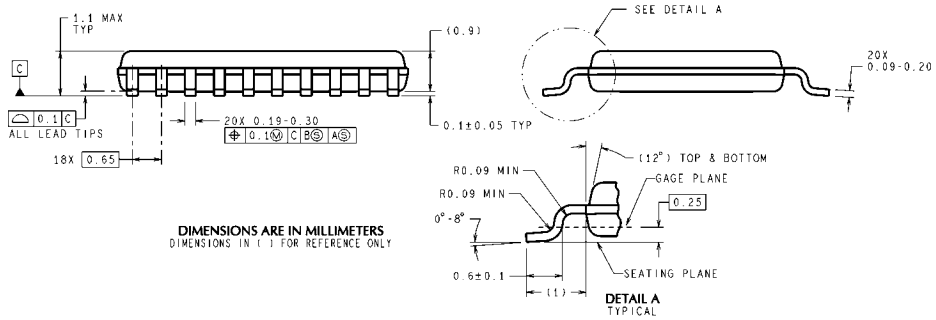
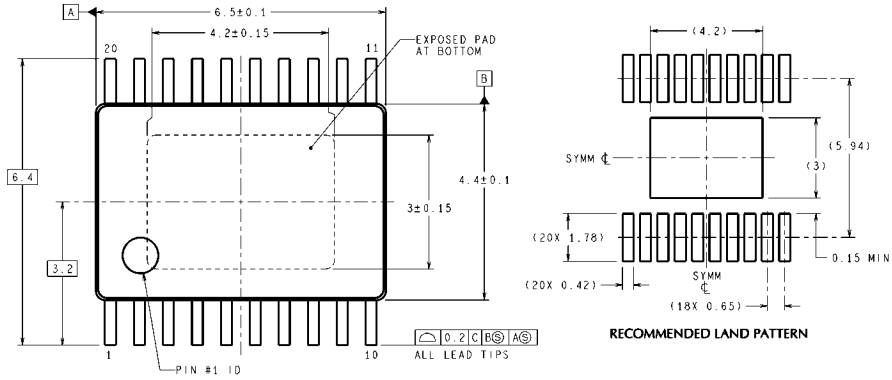
the ON/OFF input (J2) below 1.25V with an open-collector or open-drain circuit. An external synchronizing frequency can be applied through a 100pF capacitor to the RT input (U1 pin 5). The regulator output is current limited at  $\approx 34\text{A}$ .



20177544

FIGURE 17. Evaluation Board Schematic

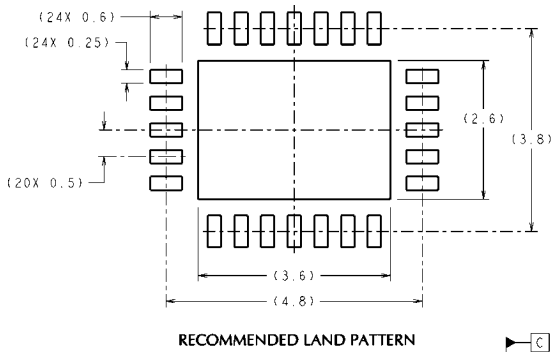
**Physical Dimensions** inches (millimeters) unless otherwise noted



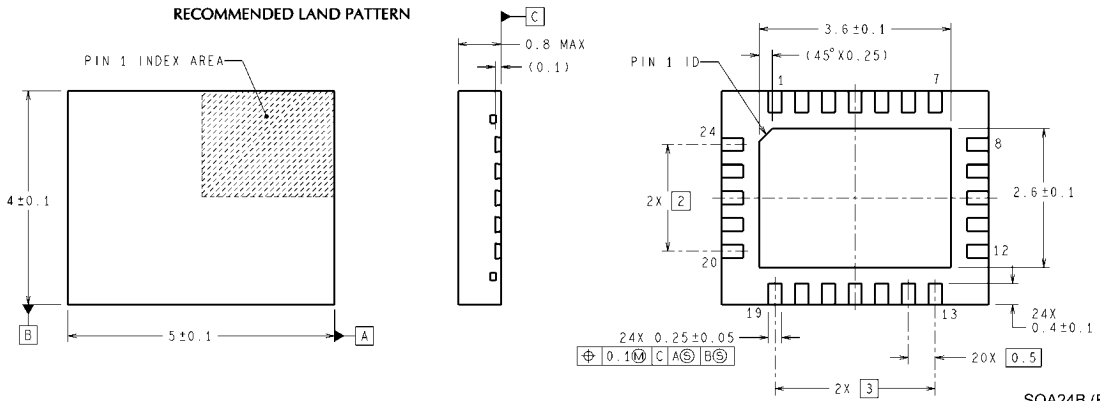
DIMENSIONS ARE IN MILLIMETERS  
DIMENSIONS IN ( ) FOR REFERENCE ONLY

MXA20A (Rev C)

**Molded TSSOP-20**  
**NS Package Number MXA20A**



DIMENSIONS ARE IN MILLIMETERS  
DIMENSIONS IN ( ) FOR REFERENCE ONLY



SQA24B (Rev A)

**24-Lead LLP Package**  
**NS Package Number SQA24B**

# Notes

LM5035

## Notes

For more National Semiconductor product information and proven design tools, visit the following Web sites at:

Products		Design Support	
Amplifiers	<a href="http://www.national.com/amplifiers">www.national.com/amplifiers</a>	WEBENCH® Tools	<a href="http://www.national.com/webench">www.national.com/webench</a>
Audio	<a href="http://www.national.com/audio">www.national.com/audio</a>	App Notes	<a href="http://www.national.com/appnotes">www.national.com/appnotes</a>
Clock and Timing	<a href="http://www.national.com/timing">www.national.com/timing</a>	Reference Designs	<a href="http://www.national.com/refdesigns">www.national.com/refdesigns</a>
Data Converters	<a href="http://www.national.com/adc">www.national.com/adc</a>	Samples	<a href="http://www.national.com/samples">www.national.com/samples</a>
Interface	<a href="http://www.national.com/interface">www.national.com/interface</a>	Eval Boards	<a href="http://www.national.com/evalboards">www.national.com/evalboards</a>
LVDS	<a href="http://www.national.com/lvds">www.national.com/lvds</a>	Packaging	<a href="http://www.national.com/packaging">www.national.com/packaging</a>
Power Management	<a href="http://www.national.com/power">www.national.com/power</a>	Green Compliance	<a href="http://www.national.com/quality/green">www.national.com/quality/green</a>
Switching Regulators	<a href="http://www.national.com/switchers">www.national.com/switchers</a>	Distributors	<a href="http://www.national.com/contacts">www.national.com/contacts</a>
LDOs	<a href="http://www.national.com/ldo">www.national.com/ldo</a>	Quality and Reliability	<a href="http://www.national.com/quality">www.national.com/quality</a>
LED Lighting	<a href="http://www.national.com/led">www.national.com/led</a>	Feedback/Support	<a href="http://www.national.com/feedback">www.national.com/feedback</a>
Voltage Reference	<a href="http://www.national.com/vref">www.national.com/vref</a>	Design Made Easy	<a href="http://www.national.com/easy">www.national.com/easy</a>
PowerWise® Solutions	<a href="http://www.national.com/powerwise">www.national.com/powerwise</a>	Solutions	<a href="http://www.national.com/solutions">www.national.com/solutions</a>
Serial Digital Interface (SDI)	<a href="http://www.national.com/sdi">www.national.com/sdi</a>	Mil/Aero	<a href="http://www.national.com/milaero">www.national.com/milaero</a>
Temperature Sensors	<a href="http://www.national.com/tempsensors">www.national.com/tempsensors</a>	Solar Magic®	<a href="http://www.national.com/solarmagic">www.national.com/solarmagic</a>
Wireless (PLL/VCO)	<a href="http://www.national.com/wireless">www.national.com/wireless</a>	Analog University®	<a href="http://www.national.com/AU">www.national.com/AU</a>

THE CONTENTS OF THIS DOCUMENT ARE PROVIDED IN CONNECTION WITH NATIONAL SEMICONDUCTOR CORPORATION ("NATIONAL") PRODUCTS. NATIONAL MAKES NO REPRESENTATIONS OR WARRANTIES WITH RESPECT TO THE ACCURACY OR COMPLETENESS OF THE CONTENTS OF THIS PUBLICATION AND RESERVES THE RIGHT TO MAKE CHANGES TO SPECIFICATIONS AND PRODUCT DESCRIPTIONS AT ANY TIME WITHOUT NOTICE. NO LICENSE, WHETHER EXPRESS, IMPLIED, ARISING BY ESTOPPEL OR OTHERWISE, TO ANY INTELLECTUAL PROPERTY RIGHTS IS GRANTED BY THIS DOCUMENT.

TESTING AND OTHER QUALITY CONTROLS ARE USED TO THE EXTENT NATIONAL DEEMS NECESSARY TO SUPPORT NATIONAL'S PRODUCT WARRANTY. EXCEPT WHERE MANDATED BY GOVERNMENT REQUIREMENTS, TESTING OF ALL PARAMETERS OF EACH PRODUCT IS NOT NECESSARILY PERFORMED. NATIONAL ASSUMES NO LIABILITY FOR APPLICATIONS ASSISTANCE OR BUYER PRODUCT DESIGN. BUYERS ARE RESPONSIBLE FOR THEIR PRODUCTS AND APPLICATIONS USING NATIONAL COMPONENTS. PRIOR TO USING OR DISTRIBUTING ANY PRODUCTS THAT INCLUDE NATIONAL COMPONENTS, BUYERS SHOULD PROVIDE ADEQUATE DESIGN, TESTING AND OPERATING SAFEGUARDS.

EXCEPT AS PROVIDED IN NATIONAL'S TERMS AND CONDITIONS OF SALE FOR SUCH PRODUCTS, NATIONAL ASSUMES NO LIABILITY WHATSOEVER, AND NATIONAL DISCLAIMS ANY EXPRESS OR IMPLIED WARRANTY RELATING TO THE SALE AND/OR USE OF NATIONAL PRODUCTS INCLUDING LIABILITY OR WARRANTIES RELATING TO FITNESS FOR A PARTICULAR PURPOSE, MERCHANTABILITY, OR INFRINGEMENT OF ANY PATENT, COPYRIGHT OR OTHER INTELLECTUAL PROPERTY RIGHT.

### LIFE SUPPORT POLICY

**NATIONAL'S PRODUCTS ARE NOT AUTHORIZED FOR USE AS CRITICAL COMPONENTS IN LIFE SUPPORT DEVICES OR SYSTEMS WITHOUT THE EXPRESS PRIOR WRITTEN APPROVAL OF THE CHIEF EXECUTIVE OFFICER AND GENERAL COUNSEL OF NATIONAL SEMICONDUCTOR CORPORATION.** As used herein:

Life support devices or systems are devices which (a) are intended for surgical implant into the body, or (b) support or sustain life and whose failure to perform when properly used in accordance with instructions for use provided in the labeling can be reasonably expected to result in a significant injury to the user. A critical component is any component in a life support device or system whose failure to perform can be reasonably expected to cause the failure of the life support device or system or to affect its safety or effectiveness.

National Semiconductor and the National Semiconductor logo are registered trademarks of National Semiconductor Corporation. All other brand or product names may be trademarks or registered trademarks of their respective holders.

Copyright© 2008 National Semiconductor Corporation

For the most current product information visit us at [www.national.com](http://www.national.com)



**National Semiconductor  
Americas Technical  
Support Center**  
Email: [support@nsc.com](mailto:support@nsc.com)  
Tel: 1-800-272-9959

**National Semiconductor Europe  
Technical Support Center**  
Email: [europe.support@nsc.com](mailto:europe.support@nsc.com)  
German Tel: +49 (0) 180 5010 771  
English Tel: +44 (0) 870 850 4288

**National Semiconductor Asia  
Pacific Technical Support Center**  
Email: [ap.support@nsc.com](mailto:ap.support@nsc.com)

**National Semiconductor Japan  
Technical Support Center**  
Email: [jpn.feedback@nsc.com](mailto:jpn.feedback@nsc.com)