

# 74HC4851; 74HCT4851

## 8-channel analog multiplexer/demultiplexer with injection-current effect control

Rev. 02 — 2 September 2008

Product data sheet

### 1. General description

The 74HC4851; 74HCT4851 are high-speed Si-gate CMOS devices and are specified in compliance with JEDEC standard no. 7A.

The 74HC4851; 74HCT4851 are 8-channel analog multiplexers/demultiplexers with three digital select inputs (S0 to S2), an active-LOW enable input ( $\bar{E}$ ), eight independent inputs/outputs (Y0 to Y7) and a common input/output (Z). The devices feature injection-current effect control, which has excellent value in automotive applications where voltages in excess of the supply voltage are common.

With  $\bar{E}$  LOW, one of the eight switches is selected (low impedance ON-state) by S0 to S2. With  $\bar{E}$  HIGH, all switches are in the high-impedance OFF-state, independent of S0 to S2.

The injection-current effect control allows signals at disabled analog input channels to exceed the supply voltage without affecting the signal of the enabled analog channel. This eliminates the need for external diode/resistor networks typically used to keep the analog channel signals within the supply-voltage range.

### 2. Features

- Injection-current cross coupling < 1 mV/mA
- Wide supply voltage range from 2.0 V to 6.0 V for 74HC4851
- ESD protection:
  - ◆ HBM JESD22-A114E exceeds 2000 V
  - ◆ CDM JESD22-C101C exceeds 1000 V
- Latch-up performance exceeds 100 mA per JESD 78 Class II level A
- Low ON-state resistance:
  - ◆ 400  $\Omega$  (typical) at  $V_{CC} = 2.0$  V
  - ◆ 215  $\Omega$  (typical) at  $V_{CC} = 3.0$  V
  - ◆ 120  $\Omega$  (typical) at  $V_{CC} = 3.3$  V
  - ◆ 76  $\Omega$  (typical) at  $V_{CC} = 4.5$  V
  - ◆ 59  $\Omega$  (typical) at  $V_{CC} = 6.0$  V

### 3. Applications

- Analog multiplexing and demultiplexing
- Digital multiplexing and demultiplexing
- Signal gating
- Automotive application

### 4. Ordering information

Table 1. Ordering information

| Type number | Package           |          |  | Version  |
|-------------|-------------------|----------|--|----------|
|             | Temperature range | Name     | Description  |          |
| 74HC4851D   | -40 °C to +125 °C | SO16     | plastic small outline package; 16 leads; body width 3.9 mm   | SOT109-1 |
| 74HC4851PW  | -40 °C to +125 °C | TSSOP16  | plastic thin shrink small outline package; 16 leads; body width 4.4 mm   | SOT403-1 |
| 74HC4851BQ  | -40 °C to +125 °C | DHVQFN16 | plastic dual in-line compatible thermal enhanced very thin quad flat package; no leads; 16 terminals; body 2.5 × 3.5 × 0.85 mm | SOT763-1 |
| 74HCT4851D  | -40 °C to +125 °C | SO16     | plastic small outline package; 16 leads; body width 3.9 mm   | SOT109-1 |
| 74HCT4851PW | -40 °C to +125 °C | TSSOP16  | plastic thin shrink small outline package; 16 leads; body width 4.4 mm   | SOT403-1 |
| 74HCT4851BQ | -40 °C to +125 °C | DHVQFN16 | plastic dual in-line compatible thermal enhanced very thin quad flat package; no leads; 16 terminals; body 2.5 × 3.5 × 0.85 mm | SOT763-1 |

### 5. Functional diagram

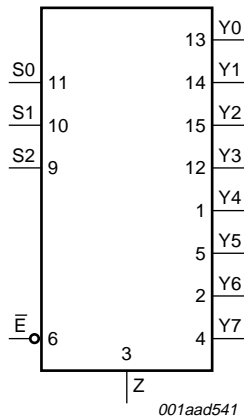


Fig 1. Logic symbol

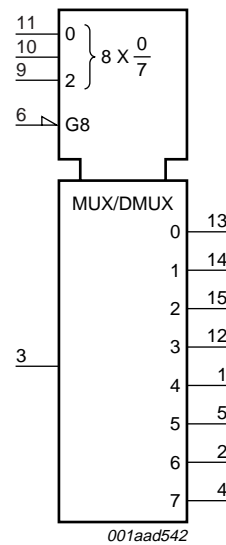


Fig 2. IEC logic symbol

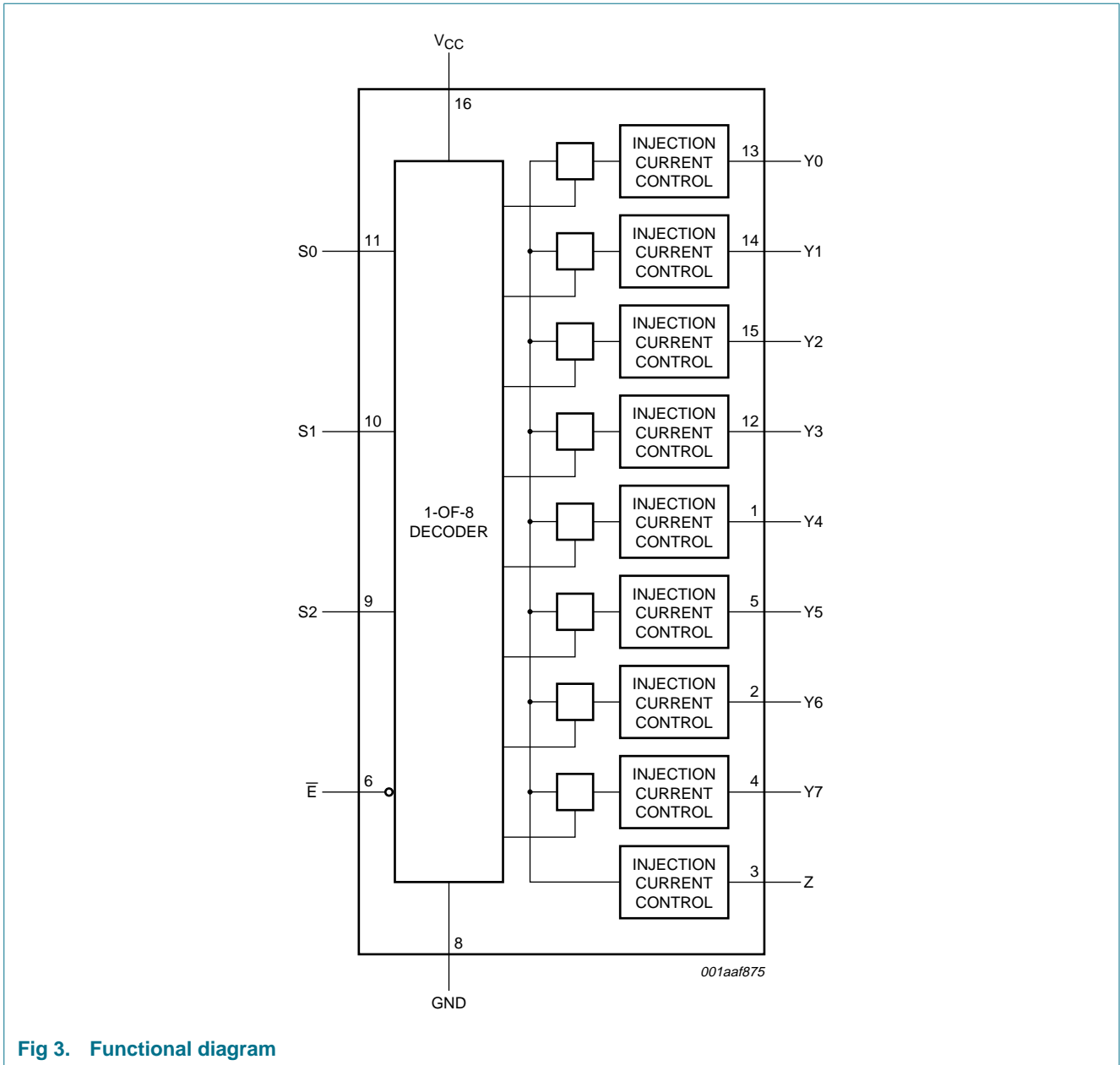
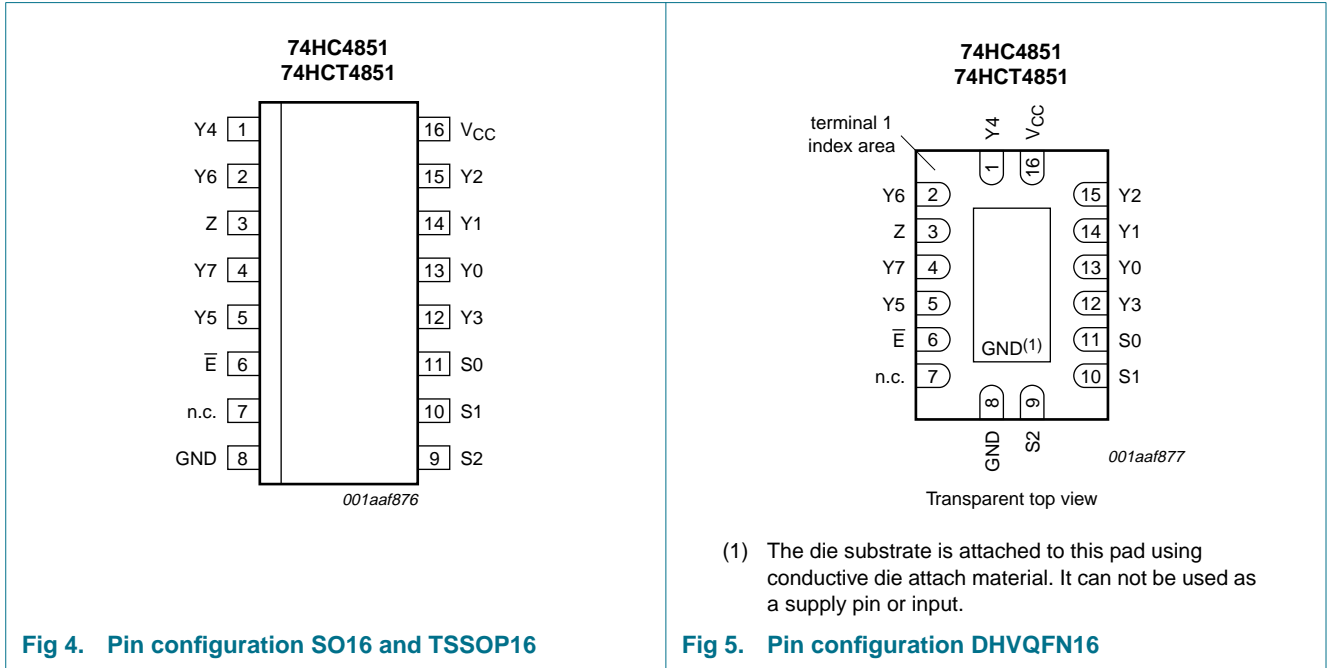


Fig 3. Functional diagram

6. Pinning information

6.1 Pinning



6.2 Pin description

Table 2. Pin description

| Symbol          | Pin | Description               |
|-----------------|-----|---------------------------|
| Y4              | 1   | independent input/output  |
| Y6              | 2   | independent input/output  |
| Z               | 3   | common input/output       |
| Y7              | 4   | independent input/output  |
| Y5              | 5   | independent input/output  |
| $\bar{E}$       | 6   | enable input (active LOW) |
| n.c.            | 7   | not connected             |
| GND             | 8   | ground (0 V)              |
| S2              | 9   | select input              |
| S1              | 10  | select input              |
| S0              | 11  | select input              |
| Y3              | 12  | independent input/output  |
| Y0              | 13  | independent input/output  |
| Y1              | 14  | independent input/output  |
| Y2              | 15  | independent input/output  |
| V <sub>CC</sub> | 16  | supply voltage            |

## 7. Functional description

Table 3. Function table<sup>[1]</sup>

| Input     |    |    |    | Channel ON |
|-----------|----|----|----|------------|
| $\bar{E}$ | S2 | S1 | S0 |            |
| L         | L  | L  | L  | Y0 to Z    |
| L         | L  | L  | H  | Y1 to Z    |
| L         | L  | H  | L  | Y2 to Z    |
| L         | L  | H  | H  | Y3 to Z    |
| L         | H  | L  | L  | Y4 to Z    |
| L         | H  | L  | H  | Y5 to Z    |
| L         | H  | H  | L  | Y6 to Z    |
| L         | H  | H  | H  | Y7 to Z    |
| H         | X  | X  | X  | -          |

- [1] H = HIGH voltage level;  
L = LOW voltage level;  
X = don't care.

## 8. Limiting values

Table 4. Limiting values

In accordance with the Absolute Maximum Rating System (IEC 60134). Voltages are referenced to GND (ground = 0 V).

| Symbol    | Parameter               | Conditions                                     | Min      | Max            | Unit |
|-----------|-------------------------|--|----------|----------------|------|
| $V_{CC}$  | supply voltage          |  | -0.5     | +7.0           | V    |
| $V_I$     | input voltage           |  | [1] -0.5 | $V_{CC} + 0.5$ | V    |
| $V_{SW}$  | switch voltage          |  | [2] -0.5 | $V_{CC} + 0.5$ | V    |
| $I_{IK}$  | input clamping current  | $V_I < -0.5$ V or $V_I > V_{CC} + 0.5$ V       | -        | $\pm 20$       | mA   |
| $I_{SK}$  | switch clamping current | $V_{SW} < -0.5$ V or $V_{SW} > V_{CC} + 0.5$ V | -        | $\pm 20$       | mA   |
| $I_{SW}$  | switch current          | $V_{SW} > -0.5$ V or $V_{SW} < V_{CC} + 0.5$ V | -        | $\pm 25$       | mA   |
| $I_{CC}$  | supply current          |  | -        | 50             | mA   |
| $I_{GND}$ | ground current          |  | -50      | -              | mA   |
| $T_{stg}$ | storage temperature     |  | -65      | +150           | °C   |
| $P_{tot}$ | total power dissipation | $T_{amb} = -40$ °C to +125 °C                  | [3] -    | 500            | mW   |

- [1] The minimum and maximum input voltage rating may be exceeded if the input clamping current rating is observed.  
 [2] The minimum and maximum switch voltage rating may be exceeded if the switch clamping current rating is observed.  
 [3] For SO16 package:  $P_{tot}$  derates linearly with 8 mW/K above 70 °C.  
 For TSSOP16 package:  $P_{tot}$  derates linearly with 5.5 mW/K above 60 °C.  
 For DHVQFN16 packages:  $P_{tot}$  derates linearly with 4.5 mW/K above 60 °C.

## 9. Recommended operating conditions

**Table 5. Recommended operating conditions**

| Symbol              | Parameter                           | Conditions              | 74HC4851 |     |          | 74HCT4851 |     |          | Unit |
|---------------------|-------------------------------------|-------------------------|----------|-----|----------|-----------|-----|----------|------|
|                     |                                     |                         | Min      | Typ | Max      | Min       | Typ | Max      |      |
| $V_{CC}$            | supply voltage                      |                         | 2.0      | -   | 6.0      | 4.5       | 5.0 | 5.5      | V    |
| $V_I$               | input voltage                       |                         | 0        | -   | $V_{CC}$ | 0         | -   | $V_{CC}$ | V    |
| $V_{SW}$            | switch voltage                      |                         | 0        | -   | $V_{CC}$ | 0         | -   | $V_{CC}$ | V    |
| $T_{amb}$           | ambient temperature                 |                         | -40      | -   | +125     | -40       | -   | +125     | °C   |
| $\Delta t/\Delta V$ | input transition rise and fall rate | $V_{CC} = 2.0\text{ V}$ | -        | 6.0 | 1000     | -         | -   | -        | ns/V |
|                     |                                     | $V_{CC} = 3.0\text{ V}$ | -        | 6.0 | 800      | -         | -   | -        | ns/V |
|                     |                                     | $V_{CC} = 3.3\text{ V}$ | -        | 6.0 | 800      | -         | -   | -        | ns/V |
|                     |                                     | $V_{CC} = 4.5\text{ V}$ | -        | 6.0 | 500      | -         | 6.0 | 500      | ns/V |
|                     |                                     | $V_{CC} = 6.0\text{ V}$ | -        | 6.0 | 400      | -         | -   | -        | ns/V |

## 10. Static characteristics

**Table 6.  $R_{ON}$  resistance**

At recommended operating conditions; voltages are referenced to GND (ground 0 V); For test circuit see [Figure 8](#).

| Symbol           | Parameter                               | Conditions                                       | 25 °C |     |     | -40 °C to +85 °C |     | -40 °C to +125 °C |     | Unit     |
|------------------|---|--|-------|-----|-----|------------------|-----|-------------------|-----|----------|
|                  |   |  | Min   | Typ | Max | Min              | Max | Min               | Max |          |
| <b>74HC4851</b>  |   |  |       |     |     |                  |     |                   |     |          |
| $R_{ON(peak)}$   | ON resistance (peak)                    | $V_I = V_{CC}$ to GND; $\bar{E} = V_{IL}$        |       |     |     |                  |     |                   |     |          |
|                  |   | $V_{CC} = 2.0\text{ V}; I_{SW} = 2\text{ mA}$    | -     | 400 | 650 | -                | 670 | -                 | 700 | $\Omega$ |
|                  |   | $V_{CC} = 3.0\text{ V}; I_{SW} \leq 2\text{ mA}$ | -     | 215 | 330 | -                | 360 | -                 | 380 | $\Omega$ |
|                  |   | $V_{CC} = 3.3\text{ V}; I_{SW} \leq 2\text{ mA}$ | -     | 120 | 270 | -                | 305 | -                 | 345 | $\Omega$ |
|                  |   | $V_{CC} = 4.5\text{ V}; I_{SW} \leq 2\text{ mA}$ | -     | 76  | 210 | -                | 240 | -                 | 270 | $\Omega$ |
|                  |   | $V_{CC} = 6.0\text{ V}; I_{SW} \leq 2\text{ mA}$ | -     | 59  | 195 | -                | 220 | -                 | 250 | $\Omega$ |
| $\Delta R_{ON}$  | ON resistance mismatch between channels | $V_I = 0.5 \times V_{CC}; \bar{E} = V_{IL}$      |       |     |     |                  |     |                   |     |          |
|                  |   | $V_{CC} = 2.0\text{ V}; I_{SW} = 2\text{ mA}$    | -     | 4   | 10  | -                | 15  | -                 | 20  | $\Omega$ |
|                  |   | $V_{CC} = 3.0\text{ V}; I_{SW} \leq 2\text{ mA}$ | -     | 2   | 8   | -                | 12  | -                 | 16  | $\Omega$ |
|                  |   | $V_{CC} = 3.3\text{ V}; I_{SW} \leq 2\text{ mA}$ | -     | 2   | 8   | -                | 12  | -                 | 16  | $\Omega$ |
|                  |   | $V_{CC} = 4.5\text{ V}; I_{SW} \leq 2\text{ mA}$ | -     | 2   | 8   | -                | 12  | -                 | 16  | $\Omega$ |
|                  |   | $V_{CC} = 6.0\text{ V}; I_{SW} \leq 2\text{ mA}$ | -     | 3   | 9   | -                | 13  | -                 | 18  | $\Omega$ |
| <b>74HCT4851</b> |   |  |       |     |     |                  |     |                   |     |          |
| $R_{ON(peak)}$   | ON resistance (peak)                    | $V_I = V_{CC}$ to GND; $\bar{E} = V_{IL}$        |       |     |     |                  |     |                   |     |          |
|                  |   | $V_{CC} = 4.5\text{ V}; I_{SW} \leq 2\text{ mA}$ | -     | 76  | 210 | -                | 240 | -                 | 270 | $\Omega$ |
| $\Delta R_{ON}$  | ON resistance mismatch between channels | $V_I = 0.5 \times V_{CC}; \bar{E} = V_{IL}$      |       |     |     |                  |     |                   |     |          |
|                  |   | $V_{CC} = 4.5\text{ V}; I_{SW} \leq 2\text{ mA}$ | -     | 2   | 8   | -                | 12  | -                 | 16  | $\Omega$ |

**Table 7. Injection current coupling**

At recommended operating conditions; voltages are referenced to GND (ground 0 V); For test circuit see [Figure 9](#).

| Symbol                                     | Parameter                | Conditions   | 74HC4851                 |                    |      | 74HCT4851 |                    |      | Unit |    |
|--|--------------------------|--|--------------------------|--------------------|------|-----------|--------------------|------|------|----|
|  |                          |  | Min                      | Typ <sup>[1]</sup> | Max  | Min       | Typ <sup>[1]</sup> | Max  |      |    |
| <b>T<sub>amb</sub> = -40 °C to +125 °C</b> |                          |  |                          |                    |      |           |                    |      |      |    |
| $\Delta V_O$                               | output voltage variation | $I_{SW} \leq 1 \text{ mA}; R_S \leq 3.9 \text{ k}\Omega$ <sup>[2][3]</sup> | $V_{CC} = 3.3 \text{ V}$ | -                  | 0.05 | 1         | -                  | -    | -    | mV |
|  |                          |  | $V_{CC} = 5.0 \text{ V}$ | -                  | 0.03 | 1         | -                  | 0.03 | 1    | mV |
|  |                          | $I_{SW} \leq 10 \text{ mA}; R_S \leq 3.9 \text{ k}\Omega$                  | $V_{CC} = 3.3 \text{ V}$ | -                  | 0.55 | 5         | -                  | -    | -    | mV |
|  |                          |  | $V_{CC} = 5.0 \text{ V}$ | -                  | 0.27 | 5         | -                  | 0.27 | 5    | mV |
|  |                          | $I_{SW} \leq 1 \text{ mA}; R_S \leq 20 \text{ k}\Omega$                    | $V_{CC} = 3.3 \text{ V}$ | -                  | 0.04 | 2         | -                  | -    | -    | mV |
|  |                          |  | $V_{CC} = 5.0 \text{ V}$ | -                  | 0.03 | 2         | -                  | 0.03 | 2    | mV |
|  |                          | $I_{SW} \leq 10 \text{ mA}; R_S \leq 20 \text{ k}\Omega$                   | $V_{CC} = 3.3 \text{ V}$ | -                  | 0.56 | 20        | -                  | -    | -    | mV |
|  |                          |  | $V_{CC} = 5.0 \text{ V}$ | -                  | 0.48 | 20        | -                  | 0.48 | 20   | mV |

[1] Typical values are measured at T<sub>amb</sub> = 25 °C.

[2]  $\Delta V_O$  here is the maximum variation of output voltage of an enabled analog channel when current is injected into any disabled channel.

[3]  $I_{SW}$  = total current injected into all disabled channels.

**Table 8. Static characteristics**

At recommended operating conditions; voltages are referenced to GND (ground 0 V);

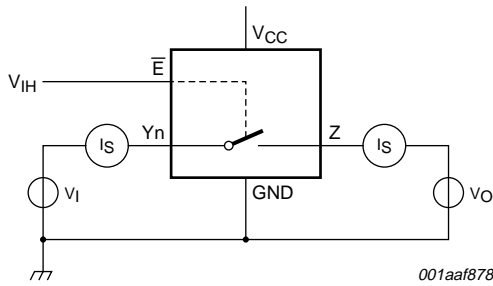
| Symbol          | Parameter                | Conditions                                       | 25 °C |     |      | -40 °C to +85 °C |      | -40 °C to +125 °C |      | Unit |
|-----------------|--------------------------|--|-------|-----|------|------------------|------|-------------------|------|------|
|                 |                          |  | Min   | Typ | Max  | Min              | Max  | Min               | Max  |      |
| <b>74HC4851</b> |                          |  |       |     |      |                  |      |                   |      |      |
| $V_{IH}$        | HIGH-level input voltage | control inputs                                   |       |     |      |                  |      |                   |      |      |
|                 |                          | $V_{CC} = 2.0 \text{ V}$                         | 1.5   | -   | -    | 1.5              | -    | 1.5               | -    | V    |
|                 |                          | $V_{CC} = 3.0 \text{ V}$                         | 2.1   | -   | -    | 2.1              | -    | 2.1               | -    | V    |
|                 |                          | $V_{CC} = 3.3 \text{ V}$                         | 2.3   | -   | -    | 2.3              | -    | 2.3               | -    | V    |
|                 |                          | $V_{CC} = 4.5 \text{ V}$                         | 3.15  | -   | -    | 3.15             | -    | 3.15              | -    | V    |
|                 |                          | $V_{CC} = 6.0 \text{ V}$                         | 4.2   | -   | -    | 4.2              | -    | 4.2               | -    | V    |
| $V_{IL}$        | LOW-level input voltage  | control inputs                                   |       |     |      |                  |      |                   |      |      |
|                 |                          | $V_{CC} = 2.0 \text{ V}$                         | -     | -   | 0.5  | -                | 0.5  | -                 | 0.5  | V    |
|                 |                          | $V_{CC} = 3.0 \text{ V}$                         | -     | -   | 0.9  | -                | 0.9  | -                 | 0.9  | V    |
|                 |                          | $V_{CC} = 3.3 \text{ V}$                         | -     | -   | 1.0  | -                | 1.0  | -                 | 1.0  | V    |
|                 |                          | $V_{CC} = 4.5 \text{ V}$                         | -     | -   | 1.35 | -                | 1.35 | -                 | 1.35 | V    |
|                 |                          | $V_{CC} = 6.0 \text{ V}$                         | -     | -   | 1.8  | -                | 1.8  | -                 | 1.8  | V    |
| $I_I$           | input leakage current    | control inputs;<br>$V_I = \text{GND or } V_{CC}$ |       |     |      |                  |      |                   |      |      |
|                 |                          | $V_{CC} = 6.0 \text{ V}$                         | -     | -   | ±0.1 | -                | ±0.1 | -                 | ±1.0 | µA   |

**Table 8. Static characteristics ...continued**

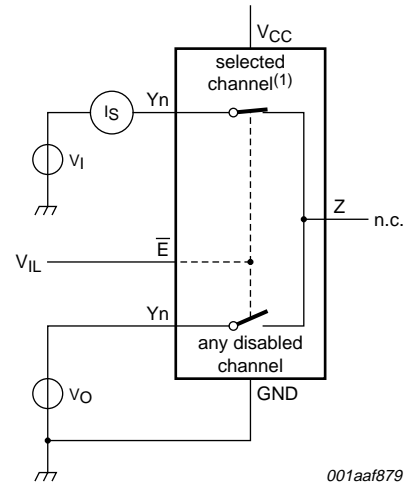
At recommended operating conditions; voltages are referenced to GND (ground 0 V);

| Symbol              | Parameter                 | Conditions  | 25 °C |     |      | -40 °C to +85 °C |      | -40 °C to +125 °C |      | Unit |
|---------------------|---------------------------|---|-------|-----|------|------------------|------|-------------------|------|------|
|                     |                           |   | Min   | Typ | Max  | Min              | Max  | Min               | Max  |      |
| I <sub>S(OFF)</sub> | OFF-state leakage current | $\bar{E} = V_{IH}; V_I = \text{GND or } V_{CC}; V_O = V_{CC} \text{ or GND}; V_{CC} = 6.0 \text{ V};$ see <a href="#">Figure 6</a><br>per channel | -     | -   | ±0.1 | -                | ±0.5 | -                 | ±1.0 | µA   |
|                     |                           |   | -     | -   | ±0.2 | -                | ±2.0 | -                 | ±4.0 | µA   |
| I <sub>S(ON)</sub>  | ON-state leakage current  | $\bar{E} = V_{IL}; V_I = \text{GND or } V_{CC}; V_O = V_{CC} \text{ or GND}; V_{CC} = 6.0 \text{ V};$ see <a href="#">Figure 7</a>                | -     | -   | ±0.1 | -                | ±0.5 | -                 | ±1.0 | µA   |
| I <sub>CC</sub>     | supply current            | $V_I = \text{GND or } V_{CC}; V_{CC} = 6.0 \text{ V}$   | -     | -   | 2.0  | -                | 5.0  | -                 | 20.0 | µA   |
| C <sub>I</sub>      | input capacitance         | S0, S1, S2 and $\bar{E}$  | -     | 2   | 10   | -                | 10   | -                 | 10   | pF   |
| C <sub>sw</sub>     | switch capacitance        | Z; OFF-state  | -     | 15  | 40   | -                | 40   | -                 | 40   | pF   |
|                     |                           | Y <sub>n</sub> ; OFF-state  | -     | 3   | 15   | -                | 15   | -                 | 15   | pF   |
| <b>74HCT4851</b>    |                           |   |       |     |      |                  |      |                   |      |      |
| V <sub>IH</sub>     | HIGH-level input voltage  | control inputs  |       |     |      |                  |      |                   |      |      |
|                     |                           | $V_{CC} = 4.5 \text{ V to } 5.5 \text{ V}$  | 2.0   | -   | -    | 2.0              | -    | 2.0               | -    | V    |
| V <sub>IL</sub>     | LOW-level input voltage   | control inputs  |       |     |      |                  |      |                   |      |      |
|                     |                           | $V_{CC} = 4.5 \text{ V to } 5.5 \text{ V}$  | -     | -   | 0.8  | -                | 0.8  | -                 | 0.8  | V    |
| I <sub>I</sub>      | input leakage current     | control inputs; $V_I = \text{GND or } V_{CC}$<br>$V_{CC} = 5.5 \text{ V}$   | -     | -   | ±0.1 | -                | ±0.1 | -                 | ±1.0 | µA   |
| I <sub>S(OFF)</sub> | OFF-state leakage current | $\bar{E} = V_{IH}; V_I = \text{GND or } V_{CC}; V_O = V_{CC} \text{ or GND}; V_{CC} = 5.5 \text{ V};$ see <a href="#">Figure 6</a><br>per channel | -     | -   | ±0.1 | -                | ±0.5 | -                 | ±1.0 | µA   |
|                     |                           |   | -     | -   | ±0.2 | -                | ±2.0 | -                 | ±4.0 | µA   |
| I <sub>S(ON)</sub>  | ON-state leakage current  | $\bar{E} = V_{IL}; V_I = \text{GND or } V_{CC}; V_O = V_{CC} \text{ or GND}; V_{CC} = 5.5 \text{ V};$ see <a href="#">Figure 7</a>                | -     | -   | ±0.1 | -                | ±0.5 | -                 | ±1.0 | µA   |
| I <sub>CC</sub>     | supply current            | $V_I = \text{GND or } V_{CC}$<br>$V_{CC} = 5.5 \text{ V}$   | -     | -   | 2.0  | -                | 5.0  | -                 | 20.0 | µA   |
| ΔI <sub>CC</sub>    | additional supply current | control inputs; $V_I = V_{CC} - 2.1 \text{ V};$ other inputs at $V_{CC}$ or GND; $V_{CC} = 4.5 \text{ V to } 5.5 \text{ V}; I_O = 0 \text{ A}$    | -     | -   | 300  | -                | 370  | -                 | 370  | µA   |
| C <sub>I</sub>      | input capacitance         | S0, S1, S2 and $\bar{E}$  | -     | 2   | 10   | -                | 10   | -                 | 10   | pF   |
| C <sub>sw</sub>     | switch capacitance        | Z; OFF-state  | -     | 15  | 40   | -                | 40   | -                 | 40   | pF   |
|                     |                           | Y <sub>n</sub> ; OFF-state  | -     | 3   | 15   | -                | 15   | -                 | 15   | pF   |

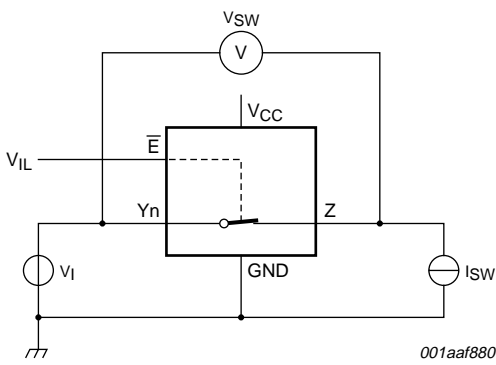




**Fig 6. Test circuit for measuring OFF-state leakage current**

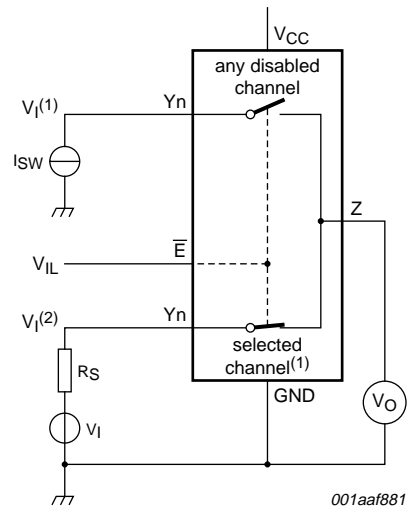


(1) Channel is selected by S0, S1 and S2.  
**Fig 7. Test circuit for measuring ON-state leakage current**



$$R_{ON} = V_{SW} / I_{SW}$$

**Fig 8. Test circuit for measuring ON resistance**



(1) Channel is selected by S0, S1 and S2.  
 $V_i(1) < GND$  or  $V_i(1) > V_{CC}$ .  
 $GND < V_i(2) < V_{CC}$ .

**Fig 9. Test circuit for injection current coupling**

## 11. Dynamic characteristics

**Table 9. Dynamic characteristics**

At recommended operating conditions; voltages are referenced to GND (ground 0 V); for load circuit see [Figure 14](#).

| Symbol          | Parameter                                     | Conditions   | 25 °C |      |      | -40 °C to +85 °C |      | -40 °C to +125 °C |      | Unit |
|-----------------|---|--|-------|------|------|------------------|------|-------------------|------|------|
|                 |   |  | Min   | Typ  | Max  | Min              | Max  | Min               | Max  |      |
| <b>74HC4851</b> |   |  |       |      |      |                  |      |                   |      |      |
| $t_{pd}$        | propagation delay                             | Z, Yn to Yn, Z;<br>see <a href="#">Figure 10</a>     | [1]   |      |      |                  |      |                   |      |      |
|                 |   | $V_{CC} = 2.0\text{ V}$                              | -     | 10.0 | 25   | -                | 29   | -                 | 32   | ns   |
|                 |   | $V_{CC} = 3.0\text{ V}$                              | -     | 6.0  | 15.5 | -                | 17.5 | -                 | 19.5 | ns   |
|                 |   | $V_{CC} = 3.3\text{ V}$                              | -     | 5.0  | 14.5 | -                | 16.5 | -                 | 18.5 | ns   |
|                 |   | $V_{CC} = 4.5\text{ V}$                              | -     | 4.0  | 11.5 | -                | 12.5 | -                 | 13.5 | ns   |
|                 |   | $V_{CC} = 6.0\text{ V}$                              | -     | 3.0  | 10   | -                | 11   | -                 | 12   | ns   |
|                 | Sn to Z, Yn;<br>see <a href="#">Figure 11</a> |  | [1]   |      |      |                  |      |                   |      |      |
|                 |   | $V_{CC} = 2.0\text{ V}$                              | -     | 18.0 | 32   | -                | 35   | -                 | 40   | ns   |
|                 |   | $V_{CC} = 3.0\text{ V}$                              | -     | 9.5  | 17.5 | -                | 20   | -                 | 23   | ns   |
|                 |   | $V_{CC} = 3.3\text{ V}$                              | -     | 8.5  | 16.5 | -                | 19   | -                 | 22   | ns   |
|                 |   | $V_{CC} = 4.5\text{ V}$                              | -     | 6.5  | 13   | -                | 15   | -                 | 17   | ns   |
| $t_{en}$        | enable time                                   | $\bar{E}$ to Z, Yn;<br>see <a href="#">Figure 12</a> | [2]   |      |      |                  |      |                   |      |      |
|                 |   | $V_{CC} = 2.0\text{ V}$                              | -     | -    | 95   | -                | 105  | -                 | 115  | ns   |
|                 |   | $V_{CC} = 3.0\text{ V}$                              | -     | -    | 90   | -                | 100  | -                 | 110  | ns   |
|                 |   | $V_{CC} = 3.3\text{ V}$                              | -     | -    | 85   | -                | 95   | -                 | 105  | ns   |
|                 |   | $V_{CC} = 4.5\text{ V}$                              | -     | -    | 80   | -                | 90   | -                 | 100  | ns   |
|                 |   | $V_{CC} = 6.0\text{ V}$                              | -     | -    | 78   | -                | 80   | -                 | 80   | ns   |
| $t_{dis}$       | disable time                                  | $\bar{E}$ to Z, Yn;<br>see <a href="#">Figure 12</a> | [3]   |      |      |                  |      |                   |      |      |
|                 |   | $V_{CC} = 2.0\text{ V}$                              | -     | -    | 99   | -                | 105  | -                 | 115  | ns   |
|                 |   | $V_{CC} = 3.0\text{ V}$                              | -     | -    | 90   | -                | 100  | -                 | 110  | ns   |
|                 |   | $V_{CC} = 3.3\text{ V}$                              | -     | -    | 85   | -                | 95   | -                 | 105  | ns   |
|                 |   | $V_{CC} = 4.5\text{ V}$                              | -     | -    | 80   | -                | 90   | -                 | 100  | ns   |
|                 |   | $V_{CC} = 6.0\text{ V}$                              | -     | -    | 78   | -                | 80   | -                 | 80   | ns   |
| $C_{PD}$        | power dissipation capacitance                 | per channel;<br>see <a href="#">Figure 12</a>        | [4]   |      |      |                  |      |                   |      |      |
|                 |   | $V_{CC} = 3.3\text{ V}$                              | -     | 28   | -    | -                | -    | -                 | -    | pF   |
|                 |   | $V_{CC} = 5.0\text{ V}$                              | -     | 33   | -    | -                | -    | -                 | -    | pF   |

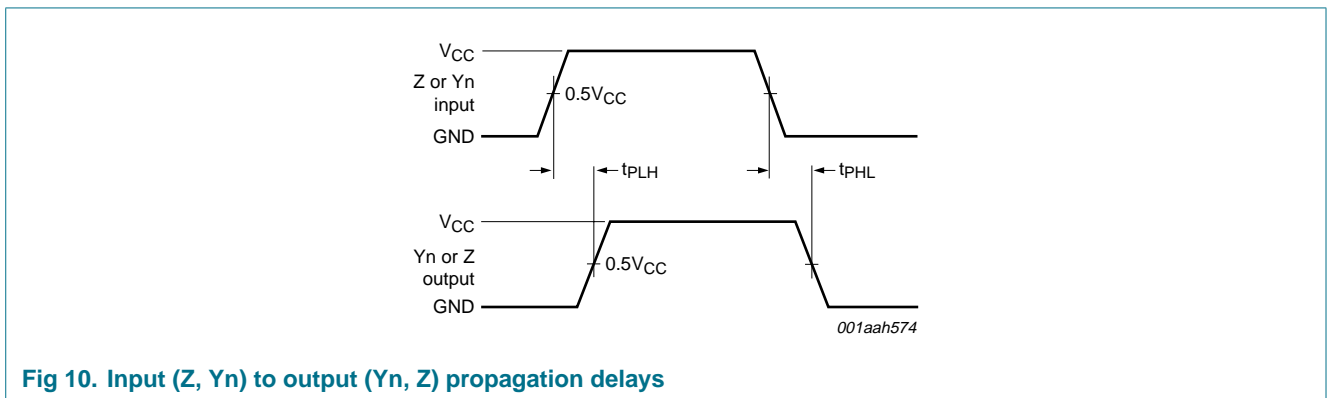
**Table 9. Dynamic characteristics ...continued**

At recommended operating conditions; voltages are referenced to GND (ground 0 V); for load circuit see [Figure 14](#).

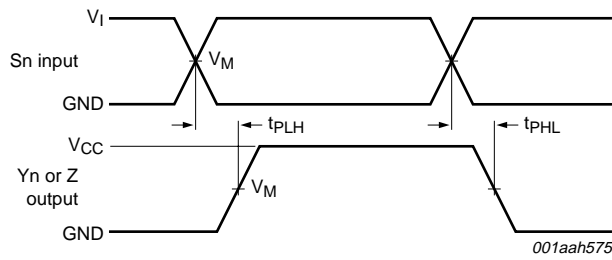
| Symbol           | Parameter                     | Conditions   | 25 °C |      |      | -40 °C to +85 °C |      | -40 °C to +125 °C |      | Unit |
|------------------|-------------------------------|--|-------|------|------|------------------|------|-------------------|------|------|
|                  |                               |  | Min   | Typ  | Max  | Min              | Max  | Min               | Max  |      |
| <b>74HCT4851</b> |                               |  |       |      |      |                  |      |                   |      |      |
| t <sub>pd</sub>  | propagation delay             | Z, Yn to Yn, Z;<br>see <a href="#">Figure 10</a>     | [1]   |      |      |                  |      |                   |      |      |
|                  |                               | V <sub>CC</sub> = 4.5 V                              | 1.6   | 3.7  | 11.5 | 1.1              | 12.5 | 1.1               | 13.5 | ns   |
| t <sub>en</sub>  | enable time                   | Sn to Z, Yn;<br>see <a href="#">Figure 11</a>        | [1]   |      |      |                  |      |                   |      |      |
|                  |                               | V <sub>CC</sub> = 4.5 V                              | 3.2   | 8.0  | 13   | 2.3              | 15   | 2.3               | 17   | ns   |
| t <sub>dis</sub> | disable time                  | $\bar{E}$ to Z, Yn;<br>see <a href="#">Figure 12</a> | [3]   |      |      |                  |      |                   |      |      |
|                  |                               | V <sub>CC</sub> = 4.5 V                              | 28.5  | 64.7 | 80   | 28.2             | 90   | 28                | 100  | ns   |
| C <sub>PD</sub>  | power dissipation capacitance | per channel;<br>see <a href="#">Figure 13</a>        | [4]   |      |      |                  |      |                   |      |      |
|                  |                               | V <sub>CC</sub> = 5.0 V                              | -     | 30   | -    | -                | -    | -                 | -    | pF   |

- [1] t<sub>pd</sub> is the same as t<sub>PLH</sub> and t<sub>PHL</sub>.
- [2] t<sub>en</sub> is the same as t<sub>PZH</sub> and t<sub>PZL</sub>.
- [3] t<sub>dis</sub> is the same as t<sub>PLZ</sub> and t<sub>PHZ</sub>.
- [4] C<sub>PD</sub> is used to determine the dynamic power dissipation (P<sub>D</sub> in μW):  
 $P_D = C_{PD} \times V_{CC}^2 \times f_i + \sum\{(C_L + C_{sw}) \times V_{CC}^2 \times f_o\}$  where:  
 f<sub>i</sub> = input frequency in MHz;  
 f<sub>o</sub> = output frequency in MHz;  
 $\sum\{(C_L + C_{sw}) \times V_{CC}^2 \times f_o\}$  = sum of outputs;  
 C<sub>L</sub> = output load capacitance in pF;  
 C<sub>sw</sub> = switch capacitance in pF;  
 V<sub>CC</sub> = supply voltage in V.

## 12. Waveforms

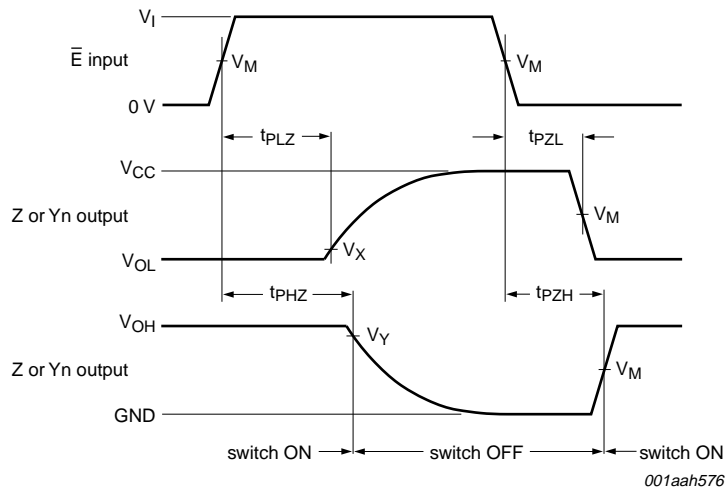


**Fig 10. Input (Z, Yn) to output (Yn, Z) propagation delays**



Measurement points are given in [Table 10](#).

**Fig 11. Input (Sn) to output (Yn, Z) propagation delays**



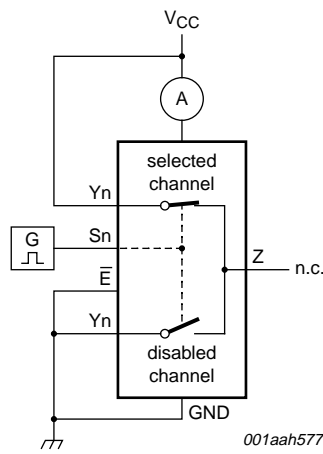
Measurement points are given in [Table 10](#).

Logic levels:  $V_{OL}$  and  $V_{OH}$  are typical output voltage levels that occur with the output load.

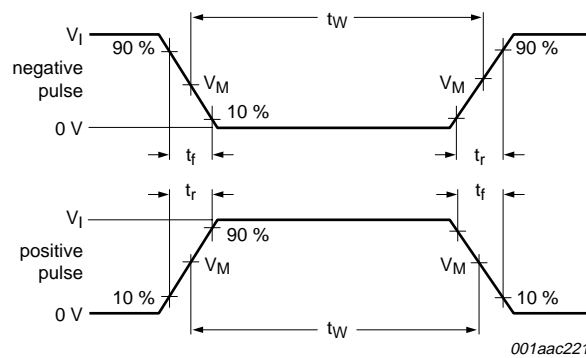
**Fig 12. Enable and disable times**

**Table 10. Measurement points**

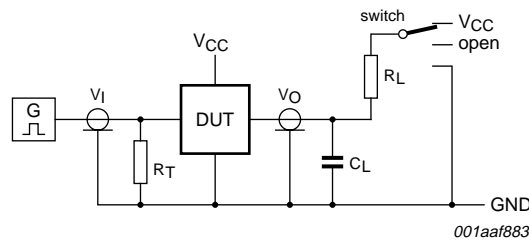
| Type      | Input       |          | Output      |                                 |             |
|-----------|-------------|----------|-------------|---------------------------------|-------------|
|           | $V_M$       | $V_I$    | $V_M$       | $V_X$                           | $V_Y$       |
| 74HC4851  | $0.5V_{CC}$ | $V_{CC}$ | $0.5V_{CC}$ | $V_{OL} + 0.1(V_{CC} - V_{OL})$ | $0.9V_{OH}$ |
| 74HCT4851 | 1.3 V       | 3.0 V    | $0.5V_{CC}$ | $V_{OL} + 0.1(V_{CC} - V_{OL})$ | $0.9V_{OH}$ |



**Fig 13. Test circuit for measuring power dissipation capacitance**



a. Input pulse definition



Definitions for test circuit:

$R_L$  = load resistance.

$C_L$  = load capacitance including jig and probe capacitance.

$R_T$  = termination resistance should be equal to the output impedance  $Z_o$  of the pulse generator.

b. Load circuit

Test data is given in [Table 11](#).

**Fig 14. Input pulse definition and load circuit**

**Table 11. Test data**

| Test               | Input                  |               |            | Output        |               | S1 position |
|--------------------|------------------------|---------------|------------|---------------|---------------|-------------|
|                    | Control $\bar{E}$ , Sn | Switch Yn (Z) | $t_r, t_f$ | Switch Z (Yn) |               |             |
|                    | $V_I$ <sup>[1]</sup>   | $V_I$         |            | $C_L$         | $R_L$         |             |
| $t_{PHL}, t_{PLH}$ | $V_{CC}$               | $V_{CC}$      | 6 ns       | 50 pF         | -             | open        |
| $t_{PHZ}, t_{PZH}$ | $V_{CC}$               | $V_{CC}$      | 6 ns       | 50 pF         | 10 k $\Omega$ | GND         |
| $t_{PLZ}, t_{PZL}$ | $V_{CC}$               | $V_{CC}$      | 6 ns       | 50 pF         | 10 k $\Omega$ | $V_{CC}$    |
| $C_{PD}$           | $V_{CC}$               | $V_{CC}$      | 6 ns       | 0 pF          | -             | open        |

[1] For 74HCT4851: input voltage  $V_I = 3.0$  V.

13. Package outline

SO16: plastic small outline package; 16 leads; body width 3.9 mm

SOT109-1

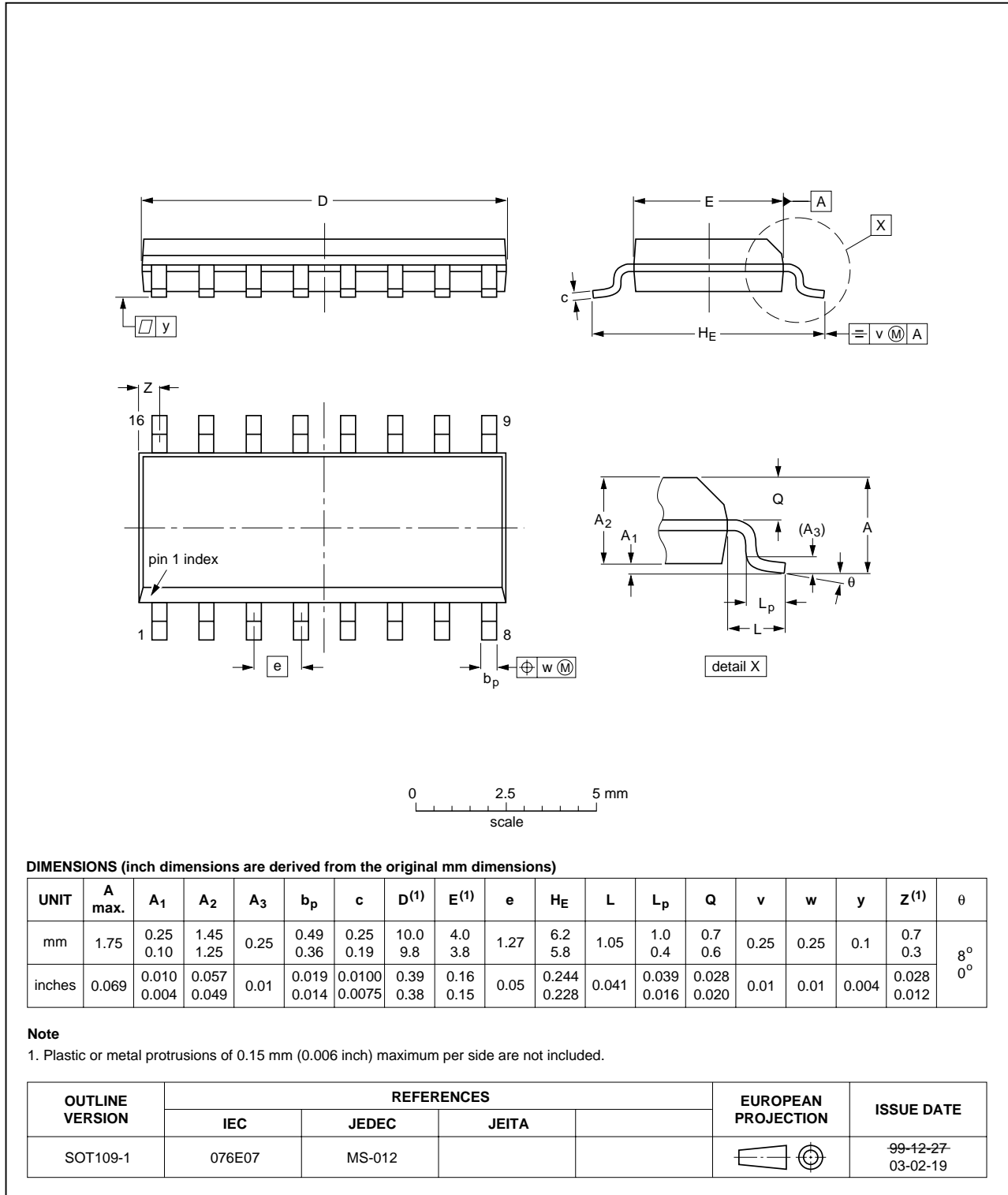


Fig 15. Package outline SOT109-1 (SO16)

TSSOP16: plastic thin shrink small outline package; 16 leads; body width 4.4 mm

SOT403-1

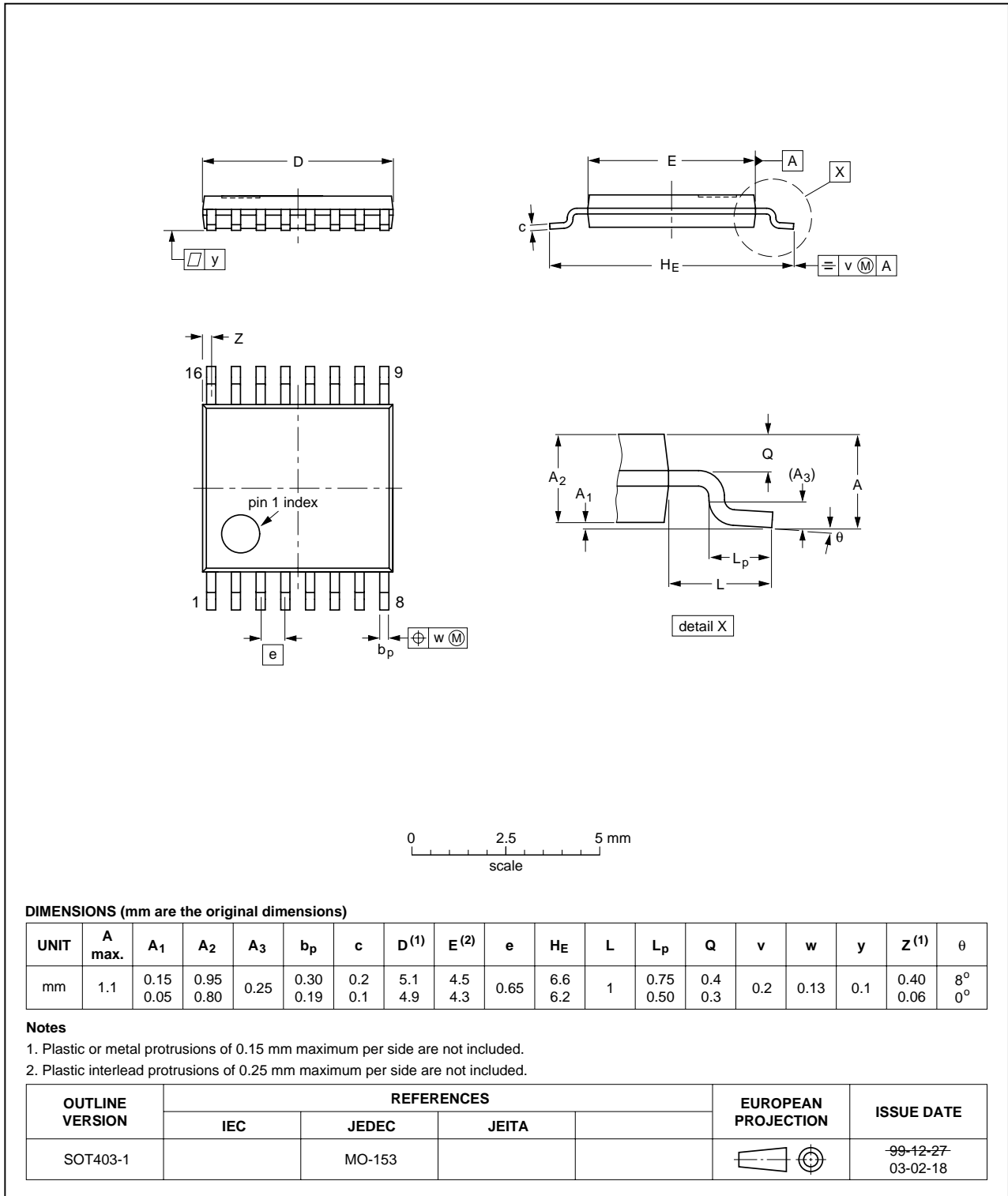


Fig 16. Package outline SOT403-1 (TSSOP16)



DHVQFN16: plastic dual in-line compatible thermal enhanced very thin quad flat package; no leads; 16 terminals; body 2.5 x 3.5 x 0.85 mm

SOT763-1

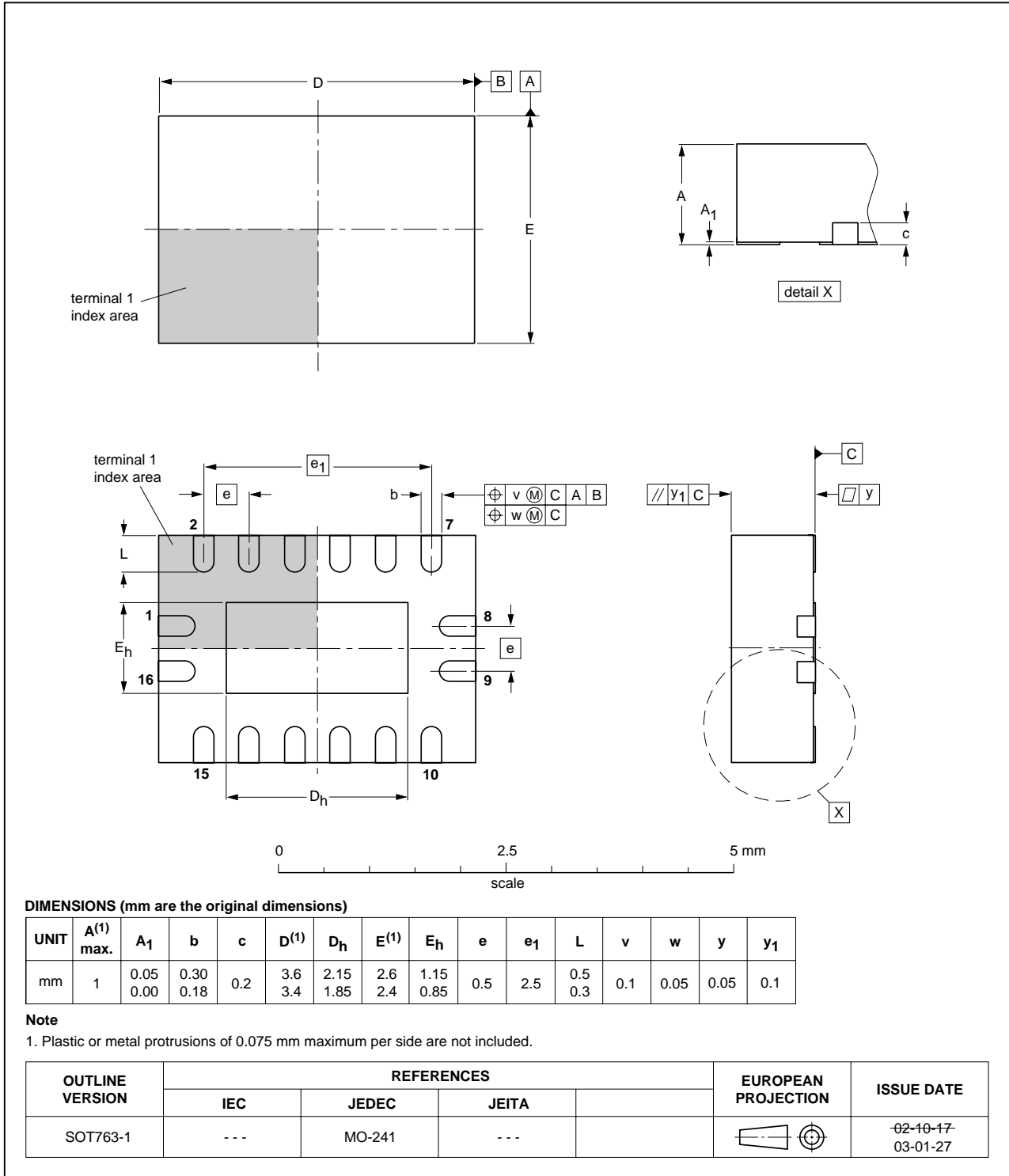


Fig 17. Package outline SOT763-1 (DHVQFN16)

## 14. Abbreviations

Table 12. Abbreviations

| Acronym | Description                             |
|---------|---|
| CDM     | Charged Device Model                    |
| CMOS    | Complementary Metal Oxide Semiconductor |
| DUT     | Device Under Test                       |
| ESD     | ElectroStatic Discharge                 |
| HBM     | Human Body Model                        |
| MM      | Machine Model                           |

## 15. Revision history

Table 13. Revision history

| Document ID    | Release date              | Data sheet status  | Change notice | Supersedes |
|----------------|---------------------------|--------------------|---------------|------------|
| 74HC_HCT4851_2 | 20080902                  | Product data sheet | -             | 74HC4851_1 |
| Modifications: | • 74HCT4851 device added. |                    |               |            |
| 74HC4851_1     | 20070309                  | Product data sheet | -             | -          |

## 16. Legal information

### 16.1 Data sheet status

| Document status <sup>[1][2]</sup> | Product status <sup>[3]</sup> | Definition  |
|-----------------------------------|-------------------------------|---|
| Objective [short] data sheet      | Development                   | This document contains data from the objective specification for product development. |
| Preliminary [short] data sheet    | Qualification                 | This document contains data from the preliminary specification.                       |
| Product [short] data sheet        | Production                    | This document contains the product specification.                                     |

[1] Please consult the most recently issued document before initiating or completing a design.

[2] The term 'short data sheet' is explained in section "Definitions".

[3] The product status of device(s) described in this document may have changed since this document was published and may differ in case of multiple devices. The latest product status information is available on the Internet at URL <http://www.nxp.com>.

### 16.2 Definitions

**Draft** — The document is a draft version only. The content is still under internal review and subject to formal approval, which may result in modifications or additions. NXP Semiconductors does not give any representations or warranties as to the accuracy or completeness of information included herein and shall have no liability for the consequences of use of such information.

**Short data sheet** — A short data sheet is an extract from a full data sheet with the same product type number(s) and title. A short data sheet is intended for quick reference only and should not be relied upon to contain detailed and full information. For detailed and full information see the relevant full data sheet, which is available on request via the local NXP Semiconductors sales office. In case of any inconsistency or conflict with the short data sheet, the full data sheet shall prevail.

### 16.3 Disclaimers

**General** — Information in this document is believed to be accurate and reliable. However, NXP Semiconductors does not give any representations or warranties, expressed or implied, as to the accuracy or completeness of such information and shall have no liability for the consequences of use of such information.

**Right to make changes** — NXP Semiconductors reserves the right to make changes to information published in this document, including without limitation specifications and product descriptions, at any time and without notice. This document supersedes and replaces all information supplied prior to the publication hereof.

**Suitability for use** — NXP Semiconductors products are not designed, authorized or warranted to be suitable for use in medical, military, aircraft, space or life support equipment, nor in applications where failure or

malfunction of an NXP Semiconductors product can reasonably be expected to result in personal injury, death or severe property or environmental damage. NXP Semiconductors accepts no liability for inclusion and/or use of NXP Semiconductors products in such equipment or applications and therefore such inclusion and/or use is at the customer's own risk.

**Applications** — Applications that are described herein for any of these products are for illustrative purposes only. NXP Semiconductors makes no representation or warranty that such applications will be suitable for the specified use without further testing or modification.

**Limiting values** — Stress above one or more limiting values (as defined in the Absolute Maximum Ratings System of IEC 60134) may cause permanent damage to the device. Limiting values are stress ratings only and operation of the device at these or any other conditions above those given in the Characteristics sections of this document is not implied. Exposure to limiting values for extended periods may affect device reliability.

**Terms and conditions of sale** — NXP Semiconductors products are sold subject to the general terms and conditions of commercial sale, as published at <http://www.nxp.com/profile/terms>, including those pertaining to warranty, intellectual property rights infringement and limitation of liability, unless explicitly otherwise agreed to in writing by NXP Semiconductors. In case of any inconsistency or conflict between information in this document and such terms and conditions, the latter will prevail.

**No offer to sell or license** — Nothing in this document may be interpreted or construed as an offer to sell products that is open for acceptance or the grant, conveyance or implication of any license under any copyrights, patents or other industrial or intellectual property rights.

### 16.4 Trademarks

Notice: All referenced brands, product names, service names and trademarks are the property of their respective owners.

## 17. Contact information

For more information, please visit: <http://www.nxp.com>

For sales office addresses, please send an email to: [salesaddresses@nxp.com](mailto:salesaddresses@nxp.com)

## 18. Contents

|           |   |           |
|-----------|---|-----------|
| <b>1</b>  | <b>General description</b> .....              | <b>1</b>  |
| <b>2</b>  | <b>Features</b> .....                         | <b>1</b>  |
| <b>3</b>  | <b>Applications</b> .....                     | <b>2</b>  |
| <b>4</b>  | <b>Ordering information</b> .....             | <b>2</b>  |
| <b>5</b>  | <b>Functional diagram</b> .....               | <b>2</b>  |
| <b>6</b>  | <b>Pinning information</b> .....              | <b>4</b>  |
| 6.1       | Pinning .....                                 | 4         |
| 6.2       | Pin description .....                         | 4         |
| <b>7</b>  | <b>Functional description</b> .....           | <b>5</b>  |
| <b>8</b>  | <b>Limiting values</b> .....                  | <b>5</b>  |
| <b>9</b>  | <b>Recommended operating conditions</b> ..... | <b>6</b>  |
| <b>10</b> | <b>Static characteristics</b> .....           | <b>6</b>  |
| <b>11</b> | <b>Dynamic characteristics</b> .....          | <b>10</b> |
| <b>12</b> | <b>Waveforms</b> .....                        | <b>11</b> |
| <b>13</b> | <b>Package outline</b> .....                  | <b>15</b> |
| <b>14</b> | <b>Abbreviations</b> .....                    | <b>18</b> |
| <b>15</b> | <b>Revision history</b> .....                 | <b>18</b> |
| <b>16</b> | <b>Legal information</b> .....                | <b>19</b> |
| 16.1      | Data sheet status .....                       | 19        |
| 16.2      | Definitions .....                             | 19        |
| 16.3      | Disclaimers .....                             | 19        |
| 16.4      | Trademarks .....                              | 19        |
| <b>17</b> | <b>Contact information</b> .....              | <b>19</b> |
| <b>18</b> | <b>Contents</b> .....                         | <b>20</b> |

Please be aware that important notices concerning this document and the product(s) described herein, have been included in section 'Legal information'.



© NXP B.V. 2008.

All rights reserved.

For more information, please visit: <http://www.nxp.com>

For sales office addresses, please send an email to: [salesaddresses@nxp.com](mailto:salesaddresses@nxp.com)

Date of release: 2 September 2008

Document identifier: 74HC\_HCT4851\_2