

Power Supply Supervisory Circuit

FEATURES

- Includes Over-voltage, Under-voltage, And Current Sensing Circuits
- Internal 1% Accurate Reference
- Programmable Time Delays
- SCR "Crowbar" Drive Of 300mA
- Remote Activation Capability
- Optional Over-voltage Latch
- Uncommitted Comparator Inputs For Low Voltage Sensing (UC1544 Series Only)

DESCRIPTION

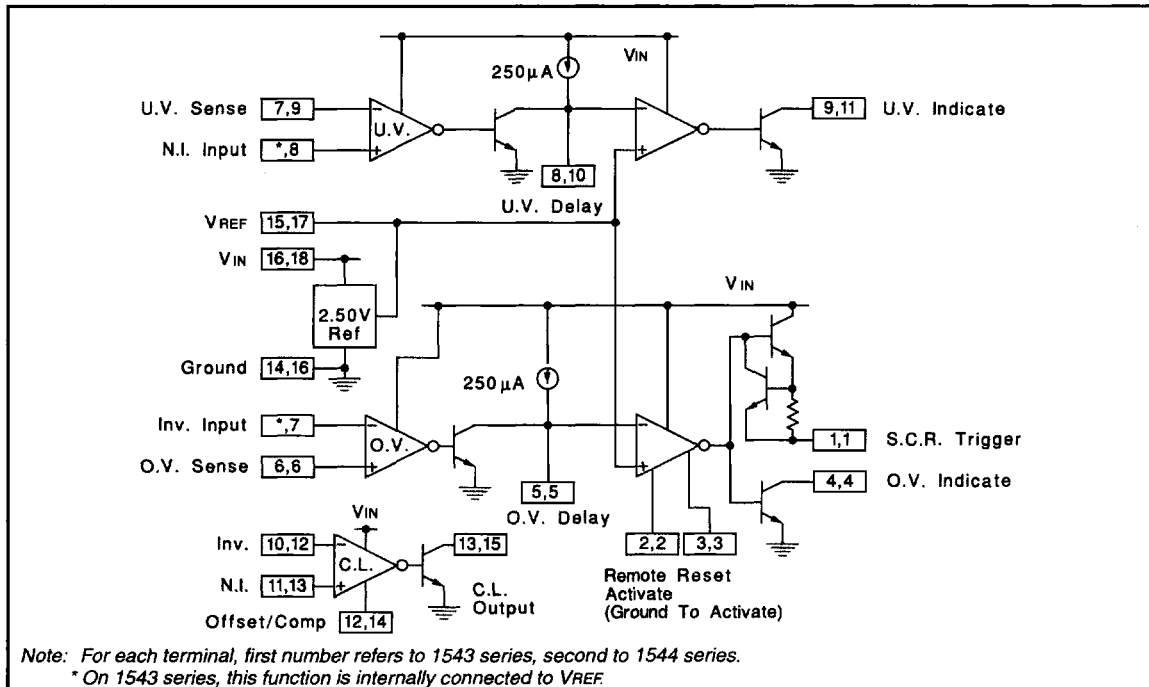
The monolithic integrated circuits contain all the functions necessary to monitor and control the output of a sophisticated power supply system. Over-voltage (O.V.) sensing with provision to trigger an external SCR "crowbar" shutdown; an under-voltage (U.V.) circuit which can be used to monitor either the output or to sample the input line voltage; and a third op amp/comparator usable for current sensing (C.L.) are all included in this IC, together with an independent, accurate reference generator.

Both over- and under-voltage sensing circuits can be externally programmed for minimum time duration of fault before triggering. All functions contain open collector outputs which can be used independently or wire-or'ed together, and although the SCR trigger is directly connected only to the over-voltage sensing circuit, it may be optionally activated by any of the other outputs, or from an external signal. The O.V. circuit also includes an optional latch and external reset capability.

The UC1544/2544/3544 devices have the added versatility of completely uncommitted inputs to the voltage sensing comparators so that levels less than 2.5V may be monitored by dividing down the internal reference voltage. The current sense circuit may be used with external compensation as a linear amplifier or as a high-gain comparator. Although nominally set for zero input offset, a fixed threshold may be added with an external resistor. Instead of current limiting, this circuit may also be used as an additional voltage monitor.

The reference generator circuit is internally trimmed to eliminate the need for external potentiometers and the entire circuit may be powered directly from either the output being monitored or from a separate bias voltage.

BLOCK DIAGRAM



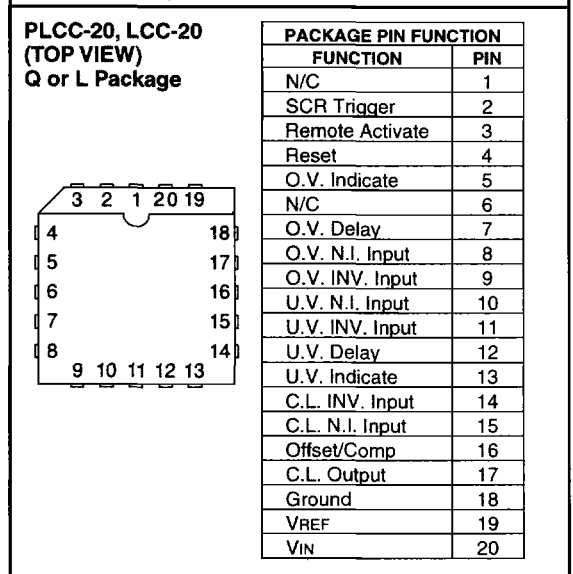
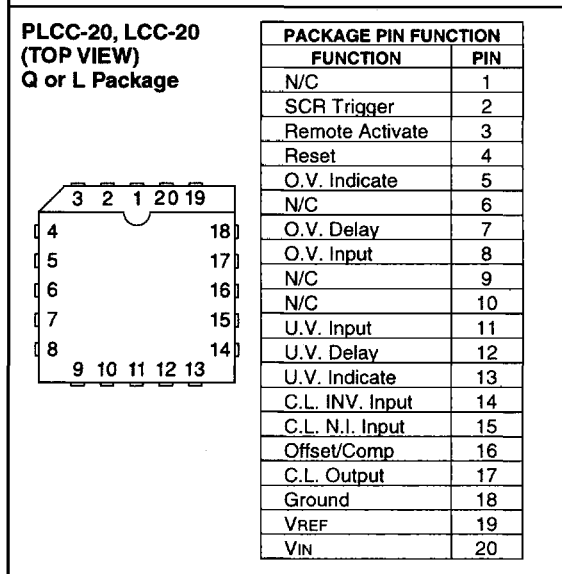
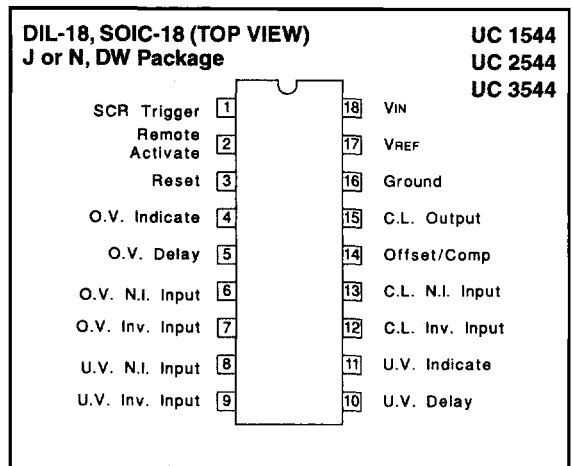
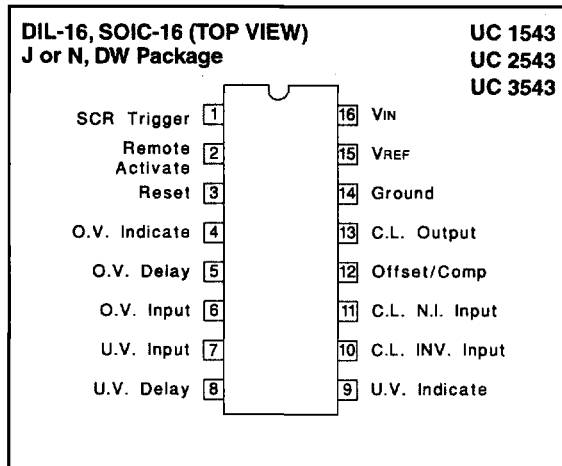
GENERAL POWER SUPPLY

ABSOLUTE MAXIMUM RATINGS

Input Supply Voltage, V_{IN}	40V
Sense Inputs, Voltage Range	0 to V_{IN}
SCR Trigger Current (Note 1)	-600mA
Indicator Output Voltage	40V
Indicator Output Sink Current	50mA
Power Dissipation (Package Limitation)	1000mW
Operating Temperature Range	
UC1543, UC1544	-55°C to +125°C
UC2543, UC2544	-25°C to +85°C
UC3543, UC3544	0°C to +70°C
Storage Temperature Range	-65°C to +150°C

Note 1: At higher input voltages, a dissipation limiting resistor, R_G , is required.
 Note 2: Currents are positive-into, negative-out of the specified terminal. Consult Packaging section of Databook for thermal limitations and considerations of package.

CONNECTION DIAGRAMS

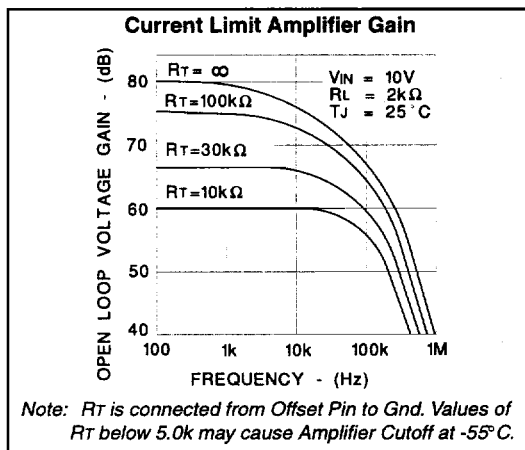
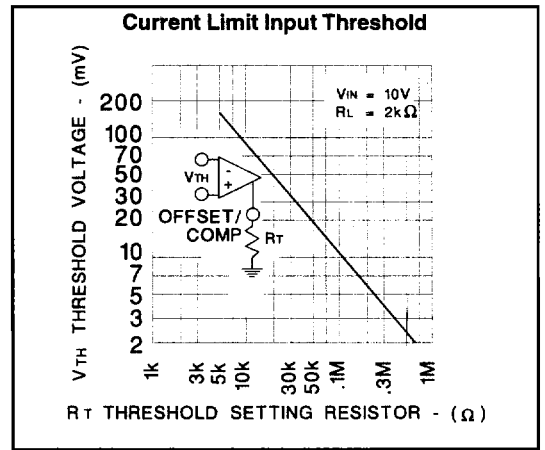
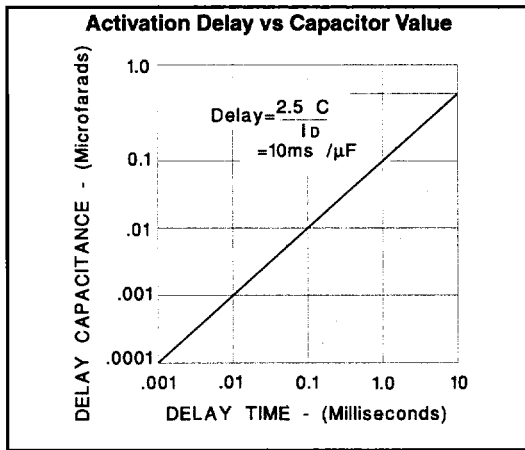
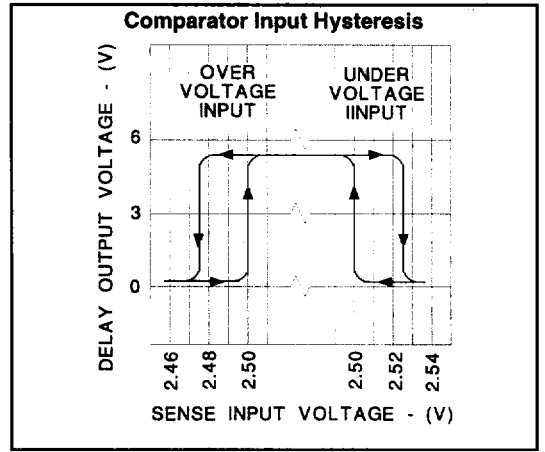
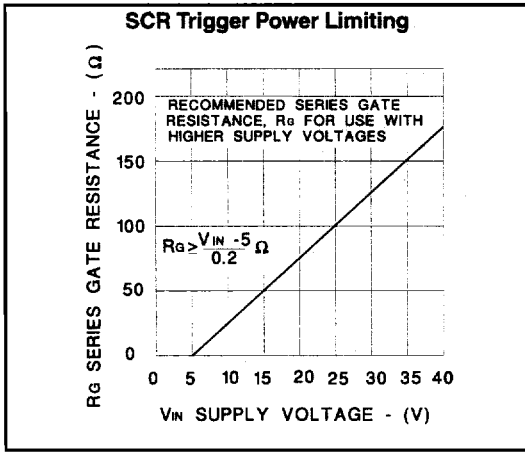


ELECTRICAL CHARACTERISTICS: Unless otherwise stated, these specifications apply for $T_A = -55^\circ\text{C}$ to $+125^\circ\text{C}$ for the UC1543 and UC1544; -25°C to $+85^\circ\text{C}$ for the UC2543 and UC2544; and 0°C to $+70^\circ\text{C}$ for the UC3543 and UC3544. Electrical tests are performed with $V_{IN} = 10\text{V}$ and $2\text{k}\Omega$ pull-up resistors on all indicator outputs. All electrical specifications for the UC1544, UC2544, and UC3544 devices are tested with the inverting over-voltage input and the non-inverting under-voltage input externally connected to the 2.5V reference. $T_A = T_J$.

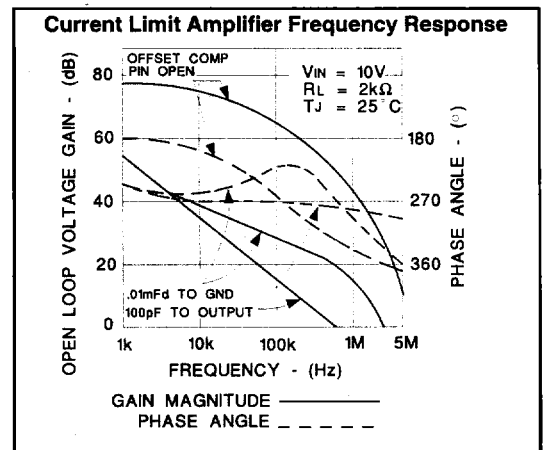
PARAMETER	TEST CONDITIONS	UC1543/UC1544 UC2543/UC2544			UC3543/UC3544			UNITS
		MIN	TYP	MAX	MIN	TYP	MAX	
Input Voltage Range	$T_J = 25^\circ\text{C}$ to T_{MAX}	4.5		40	4.5		40	V
	T_{MIN} to T_{MAX}	4.7		40	4.7		40	V
Supply Current	$V_{IN} = 40\text{V}$, Output Open, $T_J = 25^\circ\text{C}$		7	10		7	10	mA
	$T_{MIN} \leq T_J \leq T_{MAX}$			15			15	mA
Reference Section								
Output Voltage	$T_J = 25^\circ\text{C}$	2.48	2.50	2.52	2.45	2.50	2.55	V
Output Voltage	Over Temperature Range	2.45		2.55	2.40		2.60	V
Line Regulation	$V_{IN} = 5$ to 30V		1	5		1	5	mV
Load Regulation	$I_{REF} = 0$ to 10mA		1	10		1	10	mV
Short Circuit Current	$V_{REF} = 0$	-10	-20	-40	-12	-20	-40	mA
Temperature Stability			50			50		ppm/°C
SCR Trigger Section								
Peak Output Current	$V_{IN} = 5\text{V}$, $R_G = 0$, $V_O = 0$	-100	-300	-600	-100	-300	-600	mA
Peak Output Voltage	$V_{IN} = 15\text{V}$, $I_O = -100\text{mA}$	12	13		12	13		V
Output Off Voltage	$V_{IN} = 40\text{V}$		0	0.1		0	0.1	V
Remote Activate Current	R/A Pin = Gnd		-0.4	-0.8		-0.4	-0.8	mA
Remote Activate Voltage	R/A Pin Open		2	6		2	6	V
Reset Current	Reset = Gnd, R/A = Gnd		-0.4	-0.8		-0.4	-0.8	mA
Reset Voltage	Reset open, R/A = Gnd		2	6		2	6	V
Output Current Rise Time	$R_L = 50\Omega$, $T_J = 25^\circ\text{C}$, $C_D = 0$		400			400		mA/ μs
Prop. Delay from R/A	$R_L = 50\Omega$, $T_J = 25^\circ\text{C}$, $C_D = 0$		300			300		ns
Prop. Delay from O/V input	$R_L = 50\Omega$, $T_J = 25^\circ\text{C}$, $C_D = 0$		500			500		ns
Comparator Section								
Input Threshold (Input voltage rising on O.V. and falling on U.V.)	$T_J = 25^\circ\text{C}$	2.45	2.50	2.55	2.40	2.50	2.60	V
	Over Temperature Range	2.40		2.60	2.35		2.65	V
Input Hysteresis			25			25		mV
Input Bias Current	Sense Input = 0V		-0.3	-1.0		-0.3	-1.0	μA
Delay Saturation			0.2	0.5		0.2	0.5	V
Delay High Level			6	7		6	7	V
Delay Charging Current	$V_O = 0$	-200	-250	-300	-200	-250	-300	μA
Indicate Saturation	$I_L = 10\text{mA}$		0.2	0.5		0.2	0.5	V
Indicate Leakage	$V_{IND} = 40\text{V}$.01	1.0		.01	1.0	μA
Propagation Delay	Input Over Drive = 200mV , $T_J = 25^\circ\text{C}$, $C_D = 0$		400			400		ns
	Input Over Drive = 200mV , $T_J = 25^\circ\text{C}$, $C_D = 1\mu\text{F}$		10			10		ms
Current Limit Section								
Input Voltage Range		0		$V_{IN}-3\text{V}$	0		$V_{IN}-3\text{V}$	V
Input Bias Current	Offset Pin Open, $V_{CM} = 0$		-0.3	-1.0		-0.3	-1.0	μA
Input Offset Voltage	Offset Pin Open, $V_{CM} = 0$		0	10		0	10	mV
	$10\text{k}\Omega$ from Offset Pin to Gnd	80	100	120	80	100	120	mV
CMRR	$0 \leq V_{CM} \leq 12\text{V}$, $V_{IN} = 15\text{V}$	60	70		60	70		dB
AVOL	Offset Pin Open, $V_{CM} = 0\text{V}$, $R_L = 10\text{k}$ to $15\text{k}\Omega$, $\Delta V_{OUT} = 1$ to 6V	72	80		72	80		dB
Output Saturation	$I_L = 10\text{mA}$		0.2	0.5		0.2	0.5	V
Output Leakage	$V_{IND} = 40\text{V}$.01	1.0		.01	1.0	μA
Small Signal Bandwidth	$A_V = 0\text{dB}$, $T_J = 25^\circ\text{C}$		5			5		MHz
Propagation Delay	$V_{OVERDRIVE} = 100\text{mV}$, $T_J = 25^\circ\text{C}$		200			200		ns

GENERAL POWER SUPPLY

3

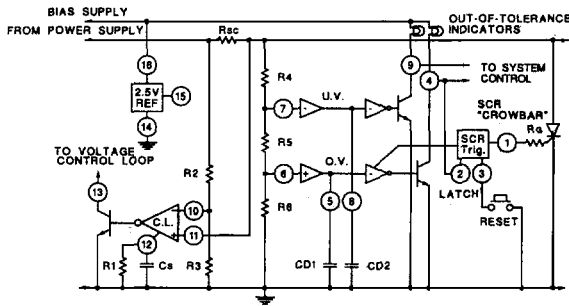


Note: R_t is connected from Offset Pin to Gnd. Values of R_t below 5.0k may cause Amplifier Cutoff at -55°C .



APPLICATIONS (Pin numbers given for UC1543 series devices)

Typical Application



The values for the external components are determined as follows:

$$\text{Current limit input threshold, } V_{TH} = \frac{1000}{R_1}$$

C_3 is determined by the current loop dynamics

$$\text{Peak current to load, } I_P \cong \frac{V_{TH}}{R_{sc}} + \frac{V_O}{R_{sc}} \left(\frac{R_2}{R_2 + R_3} \right)$$

$$\text{Short Circuit Current, } I_{SC} = \frac{V_{TH}}{R_{sc}}$$

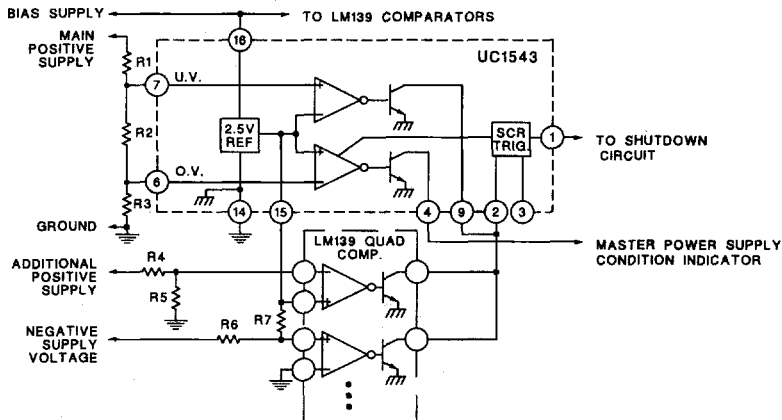
$$\text{Low output voltage limit, } V_O (\text{Low}) = \frac{2.5 (R_4 + R_5 + R_6)}{R_5 + R_6}$$

$$\text{High output voltage limit, } V_O (\text{High}) = \frac{2.5 (R_4 + R_5 + R_6)}{R_6}$$

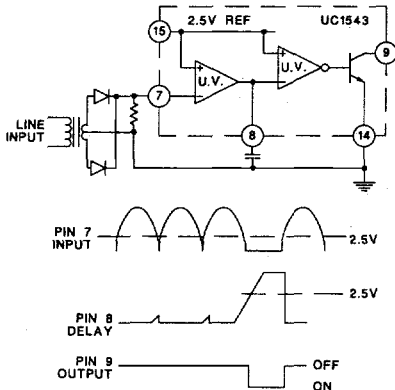
Voltage sensing delay, $t_D = 10,000 C_d$

$$\text{SCR trigger power limiting resistor, } R_G > \frac{V_{IN} - 5}{0.2}$$

Sensing Multiple Supply Voltages



Input Line Monitor



Overcurrent Shutdown

