



Z86E72/73

OTP Microcontroller

Product Specification

PS008703-0802



This publication is subject to replacement by a later edition. To determine whether a later edition exists, or to request copies of publications, contact:

ZiLOG Worldwide Headquarters

532 Race Street
San Jose, CA 95126-3432
Telephone: 408.558.8500
Fax: 408.558.8300
www.ZiLOG.com

ZiLOG is a registered trademark of ZiLOG Inc. in the United States and in other countries. All other products and/or service names mentioned herein may be trademarks of the companies with which they are associated.

Document Disclaimer

© 2002 by ZiLOG, Inc. All rights reserved. Information in this publication concerning the devices, applications, or technology described is intended to suggest possible uses and may be superseded. ZILOG, INC. DOES NOT ASSUME LIABILITY FOR OR PROVIDE A REPRESENTATION OF ACCURACY OF THE INFORMATION, DEVICES, OR TECHNOLOGY DESCRIBED IN THIS DOCUMENT. ZILOG ALSO DOES NOT ASSUME LIABILITY FOR INTELLECTUAL PROPERTY INFRINGEMENT RELATED IN ANY MANNER TO USE OF INFORMATION, DEVICES, OR TECHNOLOGY DESCRIBED HEREIN OR OTHERWISE. Except with the express written approval ZILOG, use of information, devices, or technology as critical components of life support systems is not authorized. No licenses or other rights are conveyed, implicitly or otherwise, by this document under any intellectual property rights.



Table of Contents

Features	1
General Description	2
Pin Description	5
Absolute Maximum Ratings	13
Standard Test Conditions	14
Capacitance	14
DC Characteristics	15
AC Characteristics	18
Pin Functions	25
/DS (Output, Active Low)	25
/AS (Output, Active Low)	25
XTAL1 Crystal 1 (Time-Based Input)	25
XTAL2 Crystal 2 (Time-Based Output)	25
R//W Read/Write (Output, Write Low)	25
R//RL (Input)	25
Port 0 (P07–P00)	25
Port 1 (P17–P10)	28
Port 2 (P27–P20)	30
Port 3 (P37–P31)	31
Comparator Inputs	32
Comparator Outputs	33
/RESET (Input, Active Low)	35
Functional Description	36
Reset	36
Program Memory	36
RAM	37
Extended Data RAM	37
External Memory	38
Expanded Register File	39
Register File	42
Stack	43
Counter/Timer Register Description	43
Counter/Timer Functional Blocks	53
Interrupts	62
Clock	64



Power-On Reset (POR)	65
HALT	66
STOP	66
Port Configuration Register (PCON)	66
Stop-Mode Recovery Register (SMR)	67
Stop-Mode Recovery Register 2 (SMR2)	71
Watch-Dog Timer Mode Register (WDTMR)	72
Low-Voltage Protection	74
Software-Selectable Options	75
Low-Voltage Detection	75
EPROM Programming	76
Expanded Register File Control Registers (0D)	82
Expanded Register File Control Registers (0F)	85
Z8 Standard Control Register Diagrams	89
Package Information	93
Ordering Information	96
Customer Feedback Form	97
Z86E72/73 OTP Microcontroller	97
Customer Information	97
Product Information	97
Return Information	97
Problem Description or Suggestion	97



List of Figures

Figure 1.	Z86E7X Counter/Timer Block Diagram	3
Figure 2.	Z86E7X Functional Block Diagram	4
Figure 3.	40-Pin DIP Pin Assignments (Standard Mode)	5
Figure 4.	40-Pin DIP Pin Assignments (EPROM Mode)	6
Figure 5.	44-Pin PLCC Pin Assignments (Standard Mode)	7
Figure 6.	44-Pin PLCC Pin Assignments (EPROM Mode)	7
Figure 7.	44-Pin QFP Pin Assignments (Standard Mode)	8
Figure 8.	44-Pin QFP Pin Assignments (EPROM Mode)	9
Figure 9.	Test Load Diagram	14
Figure 10.	External I/O or Memory Read/Write Timing	18
Figure 11.	Additional Timing	21
Figure 12.	Input Handshake Timing	23
Figure 13.	Output Handshake Timing	23
Figure 14.	Port 0 Configuration	27
Figure 15.	Port 1 Configuration	29
Figure 16.	Port 2 Configuration	30
Figure 17.	Port 3 Configuration	31
Figure 18.	Port 3 Configuration	33
Figure 19.	Port 3 Configuration	34
Figure 20.	Program Memory Map	37
Figure 21.	External Memory Map	39
Figure 22.	Expanded Register File Architecture	41
Figure 23.	Register Pointer	42
Figure 24.	Register Pointer	43
Figure 25.	Glitch Filter Circuitry	53
Figure 26.	Eight-Bit Counter/Timer Circuits	54
Figure 27.	Transmit Mode Flowchart	55
Figure 28.	T8_OUT in Single-Pass Mode	56
Figure 29.	T8_OUT in Modulo-N Mode	56
Figure 30.	Demodulation Mode Count Capture Flowchart	57
Figure 31.	Demodulation Mode Flowchart	58
Figure 32.	Sixteen-Bit Counter/Timer Circuits	59
Figure 33.	T16_OUT in Single-Pass Mode	60
Figure 34.	T16_OUT in Modulo-N Mode	60



Figure 35. Ping-Pong Mode	61
Figure 36. Output Circuit	62
Figure 37. Interrupt Block Diagram	63
Figure 38. Oscillator Configuration	65
Figure 39. Port Configuration Register (PCON)—Write Only	66
Figure 40. Stop-Mode Recovery Register	68
Figure 41. SCLK Circuit	69
Figure 42. Stop-Mode Recovery Register 2—(0F) DH: D2–D4, D6 Write Only	71
Figure 43. Watch-Dog Timer Mode Register—Write Only	72
Figure 44. Resets and WDT	74
Figure 45. EPROM Read	78
Figure 46. EPROM Program and Verify	79
Figure 47. Programming EPROM, RAM Protect, and 16K Size Selection	80
Figure 48. Programming Flowchart	81
Figure 49. TC8 Control Register—(0D) 0H: Read/Write Except Where Noted	82
Figure 50. T8 and T16 Common Control Functions—(0D) 1H: Read/Write	83
Figure 51. T16 Control Register—(0D) 2H: Read/Write Except Where Noted	84
Figure 52. Stop-Mode Recovery Register—(F) 0BH: D6–D0=Write Only, D7=Read Only	85
Figure 53. Stop-Mode Recovery Register 2—(0F) DH: D2–D4, D6 Write Only	86
Figure 54. Option Bit Register	87
Figure 55. Watch-Dog Timer Mode Register—(F) 0FH: Write Only	87
Figure 56. Port Configuration Register (PCON)—(0F) 0H: Write Only	88
Figure 57. Port 2 Mode Register—F6H: Write Only	88
Figure 58. Port 3 Mode Register—F7H: Write Only	89
Figure 59. Port 0 and 1 Mode Register—F8H: Write Only	90
Figure 60. Interrupt Priority Registers—(0) F9H: Write Only	90
Figure 61. Interrupt Request Register—(0) FAH: Read/Write	91
Figure 62. Interrupt Mask Register—(0) FBH: Read/Write	91
Figure 63. Flag Register—(0) FCH: Read/Write	92
Figure 64. Register Pointer—(0) FDH: Read/Write	92
Figure 65. Stack Pointer High—(0) FEH: Read/Write	92
Figure 66. Stack Pointer Low—(0) FFH: Read/Write	92
Figure 67. 40-Pin DIP Package Diagram	93
Figure 68. 44-Pin QFP Package Diagram	94
Figure 69. 44-Pin PLCC Package Diagram	95



Figure 70. Ordering Codes Example 96



List of Tables

Table 1.	Z86E72/73 Features	1
Table 2.	Power Connections	3
Table 3.	Pin Identification (Standard Mode)	9
Table 4.	Z86E72/73 40-Pin DIP Identification—EPROM Mode	11
Table 5.	Z86E72/73 44-Pin QFP/PLCC Pin Identification—EPROM Mode ..	12
Table 6.	Absolute Maximum Ratings	13
Table 7.	Capacitance	14
Table 8.	DC Characteristics	15
Table 9.	External I/O or Memory Read and Write Timing	19
Table 10.	Additional Timing	21
Table 11.	Handshake Timing	23
Table 12.	Pin Assignments	32
Table 13.	Expanded Register Group D	43
Table 14.	HI8(D)0Bh Register	44
Table 15.	LO8(D)0Ah Register	44
Table 16.	HI16(D)09h Register	45
Table 17.	LO16(D)08h Register	45
Table 18.	TC16H(D)07h Register	45
Table 19.	TC16L(D)06h Register	45
Table 20.	TC8H(D)05h Register	46
Table 21.	TC8L(D)04h Register	46
Table 22.	CTR0(D)00h Register	46
Table 23.	CTR1(D)01h Register	48
Table 24.	CTR2(D)02h Register	51
Table 25.	SMR2(F)0Dh Register	52
Table 26.	Interrupt Types, Sources, and Vectors	63
Table 27.	IRQ Register	64
Table 28.	Stop-Mode Recovery Source	69
Table 29.	WDT Time Select	73
Table 30.	Software-Selectable Options	75
Table 31.	Programming and Test Modes	76
Table 32.	Timing of Programming Waveform	77
Table 33.	Ordering Codes	96

Features

Table 1 shows some of the features of the Z86E72/73 microcontrollers.

Table 1. Z86E72/73 Features

Part	ROM (KB)	RAM* (Bytes)	I/O	Voltage Range
Z86E73	32	236	31	3.0 V to 5.5 V
Z86E72	16	748	31	3.0 V to 5.5 V

Note: *General-purpose

- Low power consumption—60 mW (typical)
- Two standby modes (typical)
 - STOP—2 μ A
 - HALT—0.8 mA
- Special architecture to automate both generation and reception of complex pulses or signals:
 - One programmable 8-bit counter/timer with two capture registers
 - One programmable 16-bit counter/timer with one capture register
 - Programmable input glitch filter for pulse reception
- Five priority interrupts
 - Three external
 - Two assigned to counter/timers
- Two independent comparators with programmable interrupt polarity
- On-chip oscillator that accepts a crystal, ceramic resonator, LC, RC (mask option), or external clock drive
- Software-selectable $200\pm 50\%$ K Ω resistive transistor pull-ups on Port 0 and Port 2
 - Port 2 pull-ups are bit selectable
 - Pull-ups automatically disabled as outputs
- Software mouse/trackball interface on P00 through P03

General Description

The Z86E7X family are OTP-based members of the Z8[®] MCU single-chip family with 236 or 748 bytes of general-purpose RAM. The only differentiating factor between the E72/73 versions is the availability of RAM and ROM. This EPROM microcontroller family of OTP controllers also offers the use of external memory, which enables this Z8 microcontroller to be used where code flexibility is required. ZiLOG's CMOS microcontrollers offer fast execution, efficient use of memory, sophisticated interrupts, input/output bit manipulation capabilities, automated pulse generation/reception, and easy hardware/software system expansion along with cost-effective and low power consumption.

The Z86E7X architecture is based on ZiLOG's 8-bit microcontroller core with an Expanded Register File to allow access to register-mapped peripherals, I/O circuits, and powerful counter/timer circuitry. The Z8 offers a flexible I/O scheme, an efficient register and address space structure, and a number of ancillary features that are useful in many consumer, automotive, computer peripheral, and battery-operated hand-held applications.

Z8 applications demand powerful I/O capabilities. The Z86E7X family fulfills this with three package options in which the E72/73 versions provide 31 pins of dedicated input and output. These lines are grouped into four ports. Each port consists of eight lines (Port 3 has seven lines of I/O and one Pref comparator input) and is configurable under software control to provide timing, status signals, parallel I/O with or without handshake, and an address/data bus for interfacing external memory.

There are five basic address spaces available to support a wide range of configurations: program memory, register file, Expanded Register File, Extended Data RAM, and external memory. The register file is composed of 256 bytes of RAM. It includes 4 I/O port registers, 16 control and status registers, and the rest are general-purpose registers. The Extended Data RAM adds 512 (E72) of usable general-purpose registers. The Expanded Register File consists of two additional register groups (F and D).

To unburden the program from coping with such real-time problems as generating complex waveforms or receiving and demodulating complex waveform/pulses, the Z86E7X family offers a new intelligent counter/timer architecture with 8-bit and 16-bit counter/timers (Figure 1). Also included are a large number of user-selectable modes and two on-board comparators to process analog signals with separate reference voltages (Figure 19 on page 34).

- **Note:** All signals with a preceding front slash, “/”, are active Low. For example, B/W (WORD is active Low); /B/W (BYTE is active Low, only).

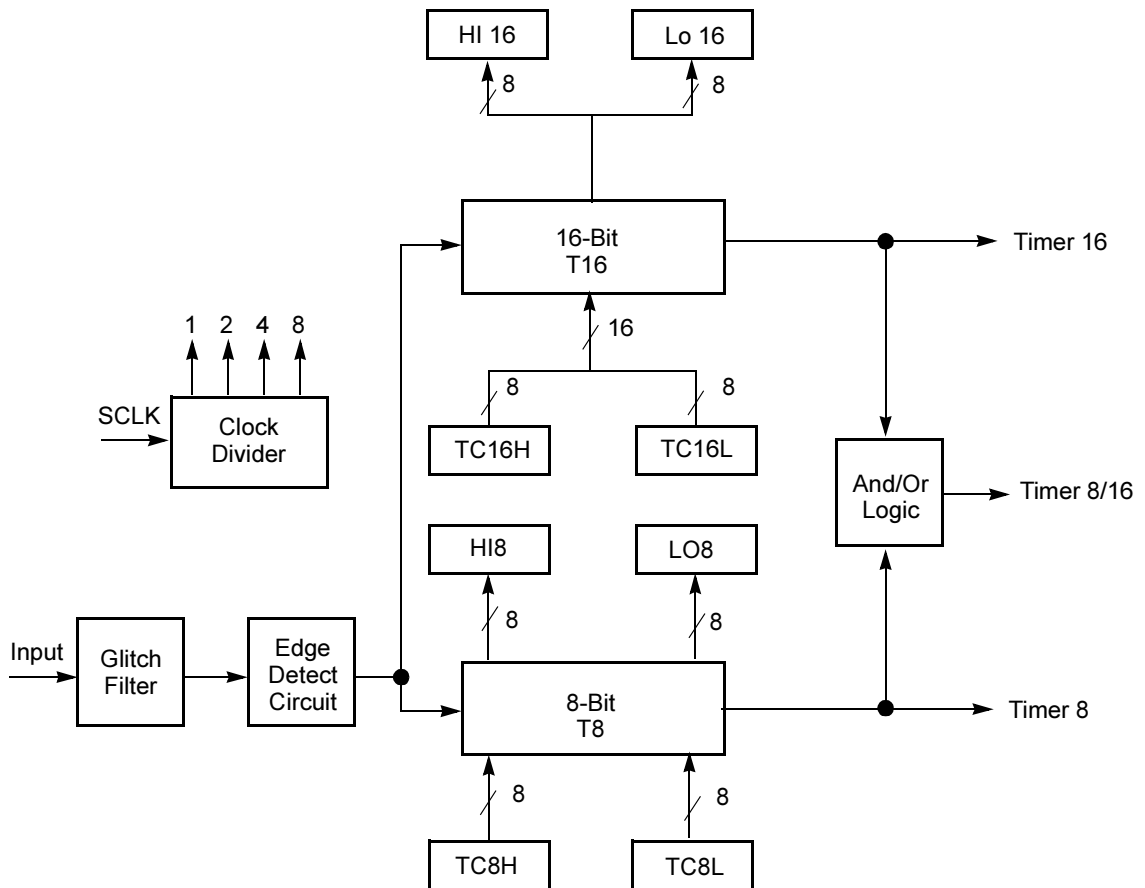


Figure 1. Z86E7X Counter/Timer Block Diagram

Power connections follow the conventions listed in Table 2.

Table 2. Power Connections

Connection	Circuit	Device
Power	V _{CC}	V _{DD}
Ground	GND	V _{SS}

Figure 2 shows the functional block diagram.

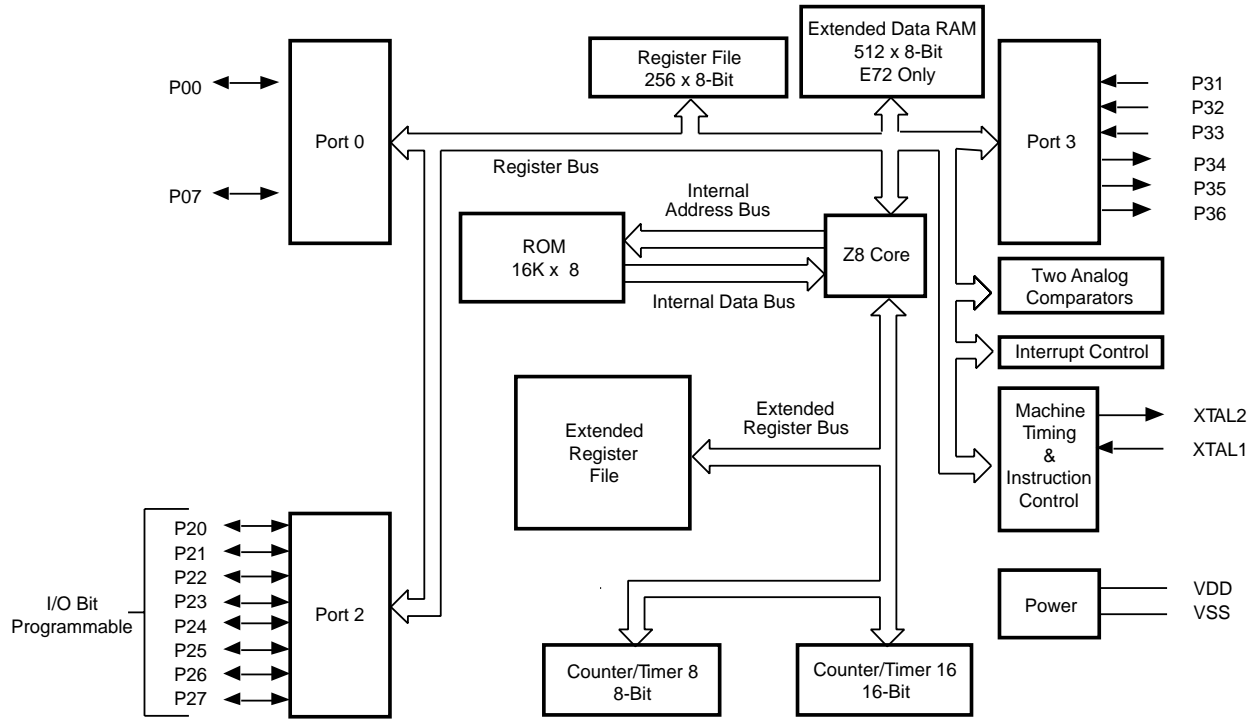


Figure 2. Z86E7X Functional Block Diagram

Pin Description

Figure 3 shows the pin assignments for the standard mode of the 40-pin dual in-line package (DIP). Figure 4 on page 6 shows the pin assignments for the electronically programmable read-only memory (EPROM) mode of the 40-pin DIP.

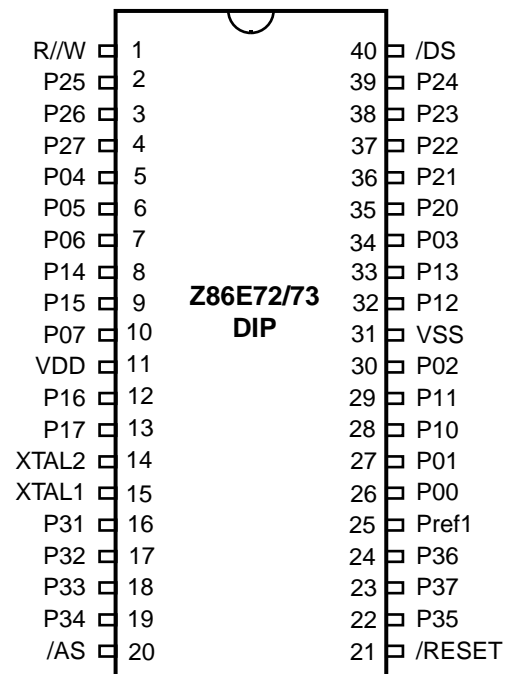


Figure 3. 40-Pin DIP Pin Assignments (Standard Mode)

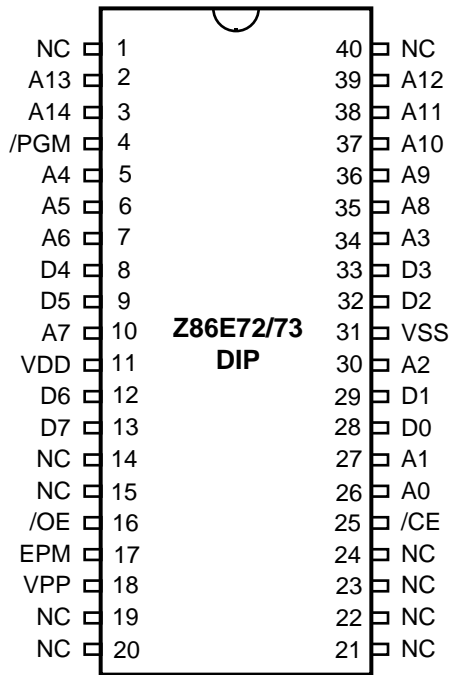


Figure 4. 40-Pin DIP Pin Assignments (EPROM Mode)

Figure 5 on page 7 shows the pin assignments for the standard mode of the 44-pin plastic leaded chip carrier (PLCC). Figure 6 on page 7 shows the pin assignments for the EPROM mode of the 44-pin PLCC.

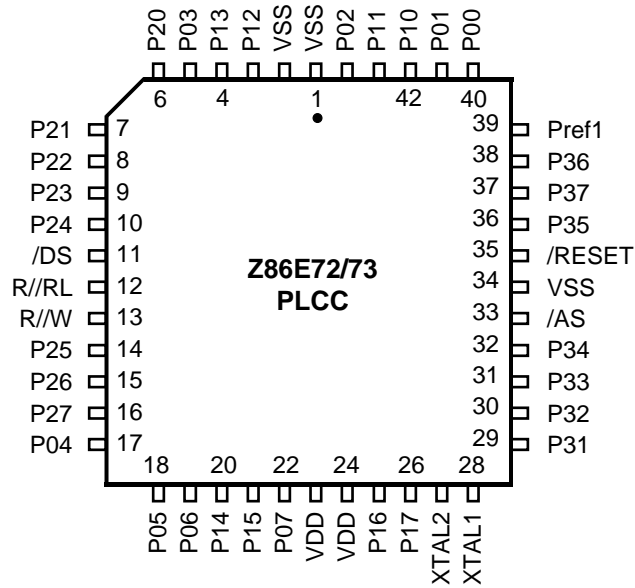


Figure 5. 44-Pin PLCC Pin Assignments (Standard Mode)

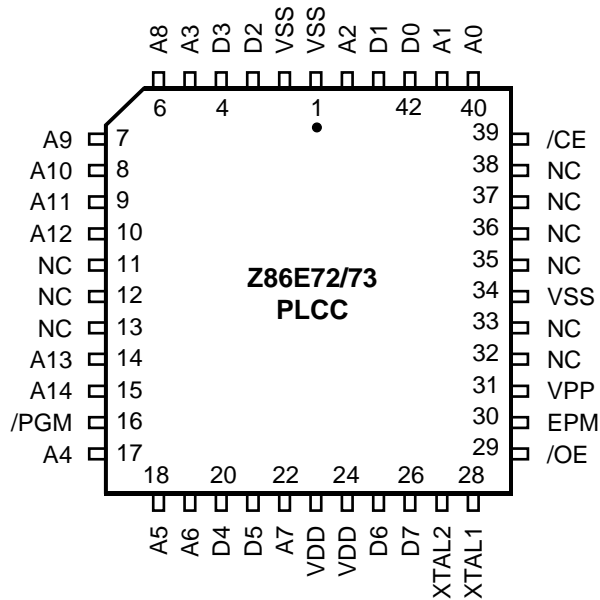


Figure 6. 44-Pin PLCC Pin Assignments (EPROM Mode)

Figure 7 shows the pin assignments for the standard mode of the 44-pin quad flat pack (QFP). Figure 8 on page 9 shows the pin assignments for the EPROM mode of the 44-pin QFP.

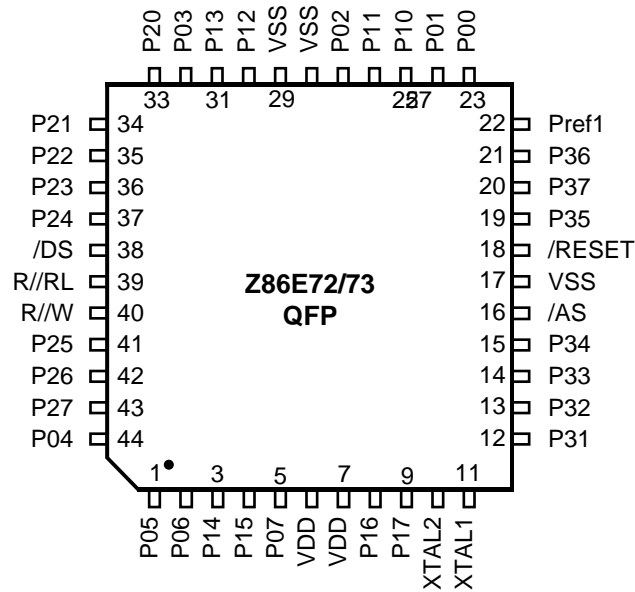


Figure 7. 44-Pin QFP Pin Assignments (Standard Mode)

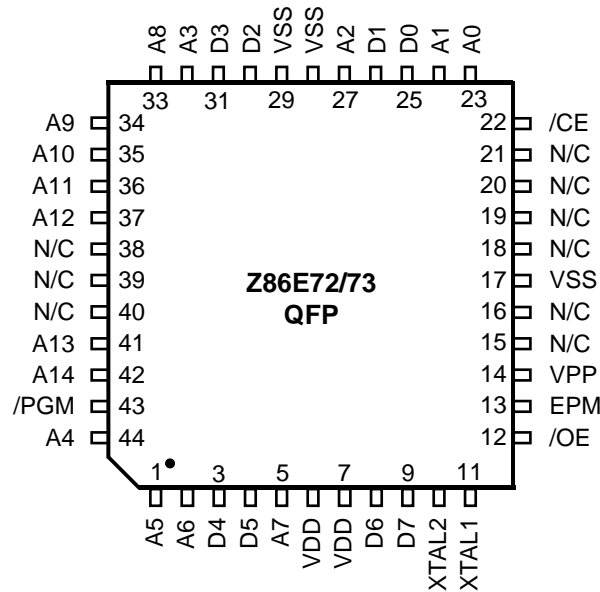


Figure 8. 44-Pin QFP Pin Assignments (EPROM Mode)

Table 3 identifies the pins in packages in standard mode. Table 4 on page 11 identifies the pins in the 40-pin DIP in EPROM mode. Table 5 on page 12 identifies the pins in the 44-pin QFP and PLCC.

Table 3. Pin Identification (Standard Mode)

40-Pin DIP #	44-Pin PLCC #	44-Pin QFP #	Symbol	Direction	Description
26	40	23	P00	Input/Output	Port 0 is Nibble Programmable.
27	41	24	P01	Input/Output	Port 0 can be configured as A15–A8 external program
30	44	27	P02	Input/Output	
34	5	32	P03	Input/Output	ROM Address Bus.
5	17	44	P04	Input/Output	Port 0 can be configured as a
6	18	1	P05	Input/Output	mouse/trackball input.
7	19	2	P06	Input/Output	
10	22	5	P07	Input/Output	
28	42	25	P10	Input/Output	Port 1 is byte programmable.



Table 3. Pin Identification (Standard Mode) (Continued)

40-Pin DIP #	44-Pin PLCC #	44-Pin QFP #	Symbol	Direction	Description
29	43	26	P11	Input/Output	Port 1 can be configured as multiplexed A7–A0/D7–D0 external program ROM Address/Data Bus
32	3	30	P12	Input/Output	
33	4	31	P13	Input/Output	
8	20	3	P14	Input/Output	
9	21	4	P15	Input/Output	
12	25	8	P16	Input/Output	
13	26	9	P17	Input/Output	
35	6	33	P20	Input/Output	Port 2 pins are individually configurable as input or output
36	7	34	P21	Input/Output	
37	8	35	P22	Input/Output	
38	9	36	P23	Input/Output	
39	10	37	P24	Input/Output	
2	14	41	P25	Input/Output	
3	15	42	P26	Input/Output	
4	16	43	P27	Input/Output	
16	29	12	P31	Input	IRQ2/Modulator input
17	30	13	P32	Input	IRQ0
18	31	14	P33	Input	IRQ1
19	32	15	P34	Output	T8 output
22	36	19	P35	Output	T16 output
24	38	21	P36	Output	T8/T16 output
23	37	20	P37	Output	
20	33	16	/AS	Output	Address Strobe
40	11	38	/DS	Output	Data Strobe
1	13	40	R/W	Output	Read/Write
21	35	18	/RESET	Input	Reset
15	28	11	XTAL1	Input	Crystal, Oscillator Clock



Table 3. Pin Identification (Standard Mode) (Continued)

40-Pin DIP #	44-Pin PLCC #	44-Pin QFP #	Symbol	Direction	Description
14	27	10	XTAL2	Output	Crystal, Oscillator Clock
11	23, 24	6, 7	V _{DD}		Power Supply
31	1, 2, 34	17, 28, 29	V _{SS}		Ground
25	39	22	Pref1	Input	Comparator 1 Reference
NC	12	39	R//RL	Input	ROM//ROMless

Table 4. Z86E72/73 40-Pin DIP Identification—EPROM Mode

40-Pin #	Symbol	Function	Direction
1	N/C	Not Connected	
2–3	A13–14	Address 13, 14	Input
4	/PGM	Program Mode	Input
5–7	A4–A6	Address 4, 5, 6	Input
8–9	D4–D5	Data 4, 5	Input/Output
10	A7	Address 7	Input
11	V _{DD}	Power Supply	
12–13	D6–D7	Data 6, 7	Input/Output
14–15	N/C	Not Connected	
16	/OE	Output Enable	Input
17	EPM	EPROM Prog. Mode	Input
18	V _{PP}	Prog. Voltage	Input
19–24	N/C	Not Connected	
25	/CE	Chip Enable	Input
26–27	A0–A1	Address 0, 1	Input
28–29	D0–D1	Data 0, 1	Input/Output
30	A2	Address 2	Input
31	V _{SS}	Ground	
32–33	D2–D3	Data 2, 3	Input/Output



Table 4. Z86E72/73 40-Pin DIP Identification—EPROM Mode (Continued)

40-Pin #	Symbol	Function	Direction
34	A3	Address 3	Input
35–39	A8–A12	Address 8, 9, 10, 11, 12	Input
40	N/C	Not Connected	

Table 5. Z86E72/73 44-Pin QFP/PLCC Pin Identification—EPROM Mode

44-Pin QFP	44-Pin PLCC	Symbol	Function	Direction
1–2	18–19	A5–A6	Address 5, 6	Input
3–4	20–21	D4–D5	Data 4, 5	Input/Output
5	22	A7	Address 7	Input
6–7	23–24	V _{DD}	Power Supply	
8–9	25–26	D6–D7	Data 6, 7	Input/Output
10	27	XTAL2	Crystal Oscillator Clock	
11	28	XTAL1	Crystal Oscillator Clock	
12	29	/OE	Output Enable	Input
13	30	EPM	EPROM Prog. Mode	Input
14	31	V _{PP}	Prog. Voltage	Input
15–16	32–33	N/C	Not Connected	
17	34	V _{SS}	Ground	
18–21	35–38	N/C	Not Connected	
22	39	/CE	Chip Select	Input
23–24	40–41	A0–A1	Address 0, 1	Input
25–26	42–43	D0–D1	Data 0, 1	Input/Output
27	44	A2	Address 2	Input
28–29	1–2	V _{SS}	Ground	
30–31	3–4	D2–D3	Data 2, 3	Input/Output
32	5	A3	Address 3	Input
33–37	6–10	A8–A12	Address 8, 9, 10, 11, 12	Input
38–40	11–13	N/C	Not Connected	



Table 5. Z86E72/73 44-Pin QFP/PLCC Pin Identification—EPROM Mode

44-Pin QFP	44-Pin PLCC	Symbol	Function	Direction
41–42	14–15	A13–A14	Address 13, 14	Input
43	16	/PGM	Prog. Mode	Input
44	17	A4	Address 4	Input

Absolute Maximum Ratings

Table 6 lists the absolute maximum ratings for the Z86E72/73 microcontrollers.

Table 6. Absolute Maximum Ratings

Symbol	Description	Min	Max	Units
V_{MAX}	Supply Voltage (*)	-0.3	+7.0	V
T_{STG}	Storage Temperature	-65°	+150°	C
T_A	Oper. Ambient Temperature		†	C

Notes:

* Voltage on all pins with respect to GND.

† See “Ordering Information” on page 96.

Stresses greater than those listed under Absolute Maximum Ratings might cause permanent damage to the device. This rating is a stress rating only. Operation of the device at any condition above those indicated in the operational sections of these specifications is not implied. Exposure to absolute maximum rating conditions for an extended period might affect device reliability.

Standard Test Conditions

The characteristics listed below apply for standard test conditions as noted. All voltages are referenced to GND. Positive current flows into the referenced pin (see Figure 9).

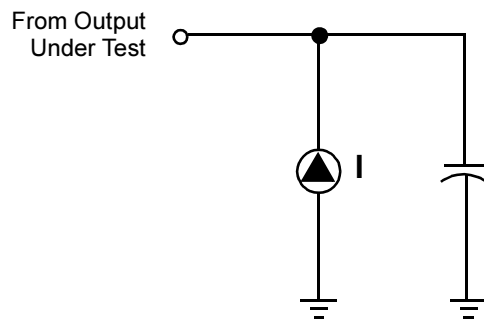


Figure 9. Test Load Diagram

Capacitance

Table 7 lists the capacitances for the Z86E72/73 microcontrollers.

Table 7. Capacitance

Parameter	Max
Input capacitance	12 pF
Output capacitance	12 pF
I/O capacitance	12 pF

Note: $T_A = 25\text{ }^\circ\text{C}$, $V_{CC} = \text{GND} = 0\text{ V}$, $f = 1.0\text{ MHz}$, unmeasured pins returned to GND.



DC Characteristics

Table 8 lists the direct current (DC) characteristics.

Table 8. DC Characteristics

Sym.	Parameter	V _{CC}	T _A = 0 °C to +70 °C		Typical @ 25°C	Units	Conditions
			Min	Max			
	Max Input Voltage	3.0 V		7		V	I _{IN} 250 μA
		5.5 V		7		V	I _{IN} 250 μA
V _{CH}	Clock Input High Voltage	3.0 V	0.9 V _{CC}	V _{CC} + 0.3		V	Driven by External Clock Generator
		5.5 V	0.9 V _{CC}	V _{CC} + 0.3		V	
V _{CL}	Clock Input Low Voltage	3.0 V	V _{SS} - 0.3	0.2 V _{CC}		V	Driven by External Clock Generator
		5.5 V	V _{SS} - 0.3	0.2 V _{CC}		V	
V _{IH}	Input High Voltage	3.0 V	0.7 V _{CC}	V _{CC} + 0.3	0.5 V _{CC}	V	
		5.5 V	0.7 V _{CC}	V _{CC} + 0.3	0.5 V _{CC}	V	
V _{IL}	Input Low Voltage	3.0 V	V _{SS} - 0.3	0.2 V _{CC}	0.5 V _{CC}	V	
		5.5 V	V _{SS} - 0.3	0.2 V _{CC}	0.5 V _{CC}	V	
V _{OH1}	Output High Voltage	3.0 V	V _{CC} - 0.4		2.9	V	I _{OH} = -0.5 mA
		5.5 V	V _{CC} - 0.4		5.4	V	I _{OH} = -0.5 mA
V _{OH2}	Output High Voltage (P00, P01, P36, P37)	3.0 V	V _{CC} 0.7			V	I _{OH} = -7 mA
		5.5 V	V _{CC} 0.7			V	I _{OH} = -7 mA
V _{OL1}	Output Low Voltage	3.0 V		0.4	0.1	V	I _{OL} = 1.0 mA
		5.5 V		0.4	0.2	V	I _{OL} = 4.0 mA
V _{OL2*}	Output Low Voltage	3.0 V		0.8	0.5	V	I _{OL} = 5.0 mA
		5.5 V		0.8	0.3	V	I _{OL} = 7.0 mA
V _{OL2}	Output Low Voltage (P00, P01, P36, P37)	3.0 V		0.8	0.3	V	I _{OL} = 10 mA
		5.5 V		0.8	0.2	V	I _{OL} = 10 mA
V _{RH}	Reset Input High Voltage	3.0 V	0.8 V _{CC}	V _{CC}	1.5	V	
		5.5 V	0.8 V _{CC}	V _{CC}	2.5	V	
V _{RI}	Reset Input Low Voltage	3.0 V	V _{SS} - 0.3	0.2 V _{CC}	0.9		
		5.5 V	V _{SS} - 0.3	0.2 V _{CC}	1.8		
V _{OFFSET}	Comparator Input Offset Voltage	3.0 V		25	10	mV	
		5.5 V		25	10	mV	
I _{IL}	Input Leakage	3.0 V	-1	1	< 1	μA	V _{IN} = 0 V, V _{CC}
		5.5 V	-1	1	< 1	μA	V _{IN} = 0 V, V _{CC}
I _{OL}	Output Leakage	3.0 V	-1	1	< 1	μA	V _{IN} = 0 V, V _{CC}
		5.5 V	-1	1	< 1	μA	V _{IN} = 0 V, V _{CC}



Table 8. DC Characteristics (Continued)

Sym.	Parameter	V _{CC}	T _A = 0 °C to +70 °C		Typical	Units	Conditions
			Min	Max	@ 25°C		
I _{IR}	Reset Input Current	3.0 V		-230	-50	μA	
		5.5 V		-400	-80	μA	
I _{CC}	Supply Current (WDT off)	3.0 V		10	4	mA	@ 8.0 MHz
		5.5 V		15	10	mA	@ 8.0 MHz
I _{CC1}	Standby Current (WDT Off)	3.0 V		3	1	mA	HALT Mode V _{IN} = 0 V, V _{CC} at 8.0 MHz, Notes 1, 2
		5.5 V		5	4	mA	HALT Mode V _{IN} = 0 V, V _{CC} @ 8.0 MHz, Notes 1, 2
		3.0 V		2	0.8	mA	Clock Divide-by-16 @ 8.0 MHz Notes 1, 2
		5.5 V		4	2.5	mA	Clock Divide-by-16 @ 8.0 MHz Notes 1, 2
I _{CC2}	Standby Current	3.0 V		8	2	μA	STOP Mode V _{IN} = 0 V, V _{CC} WDT is not Running Notes 3, 5, 9
		5.5 V		10	3	μA	STOP Mode V _{IN} = 0 V, V _{CC} WDT is not Running Notes 3, 5, 9
		3.0 V		500	310	μA	STOP Mode Notes 3, 5
		5.5 V		800	600	μA	V _{IN} = 0 V, V _{CC} WDT is Running
V _{ICR}	Input Common Mode Voltage Range	3.0 V	0	V _{CC} -1.0 V	V		Note 8
		5.5 V	0	V _{CC} -1.0 V	V		
V _{LV}	VCC Low-Voltage Detection			2.9 V	2.55 V		Note 6
T _{POR}	Power-On Reset	3.0 V	12	75	18	ms	
		5.5 V	5	20	7	ms	



Table 8. DC Characteristics (Continued)

Sym.	Parameter	V _{CC}	T _A = 0 °C to +70 °C		Typical @ 25°C	Units	Conditions
			Min	Max			
V _{RAM}	Static RAM Data Retention Voltage	Vram			0.5	V	Worst case 0.8 V guaranteed by design only Note 6
Notes:	ICC1	Typ	Max	Unit	Frequency		
	Crystal/Resonator	3.0 mA	5	mA	8.0 MHz		
	External Clock Drive	0.3 mA	5	mA	8.0 MHz		

1. All outputs unloaded, inputs at rail
 2. CL1 = CL2 = 100 pF
 3. Same as note [4] except inputs at V_{CC}
 4. The V_{LV} increases as the temperature decreases.
 5. Oscillator stopped
 6. Oscillator does not stop when V_{CC} falls below V_{LV} threshold.
 7. 32 kHz clock driver input
 8. For analog comparator, inputs when analog comparators are enabled
 9. WDT, Comparators, Low Voltage Detection, and ADC (if applicable) are disabled. The IC might draw more current if any of the above peripherals is enabled.
- * All outputs excluding P00, P01, P36, and P37

AC Characteristics

Figure 10 shows the external input/output (I/O) or memory read and write timing. Table 9 describes the I/O or memory read and write timing.

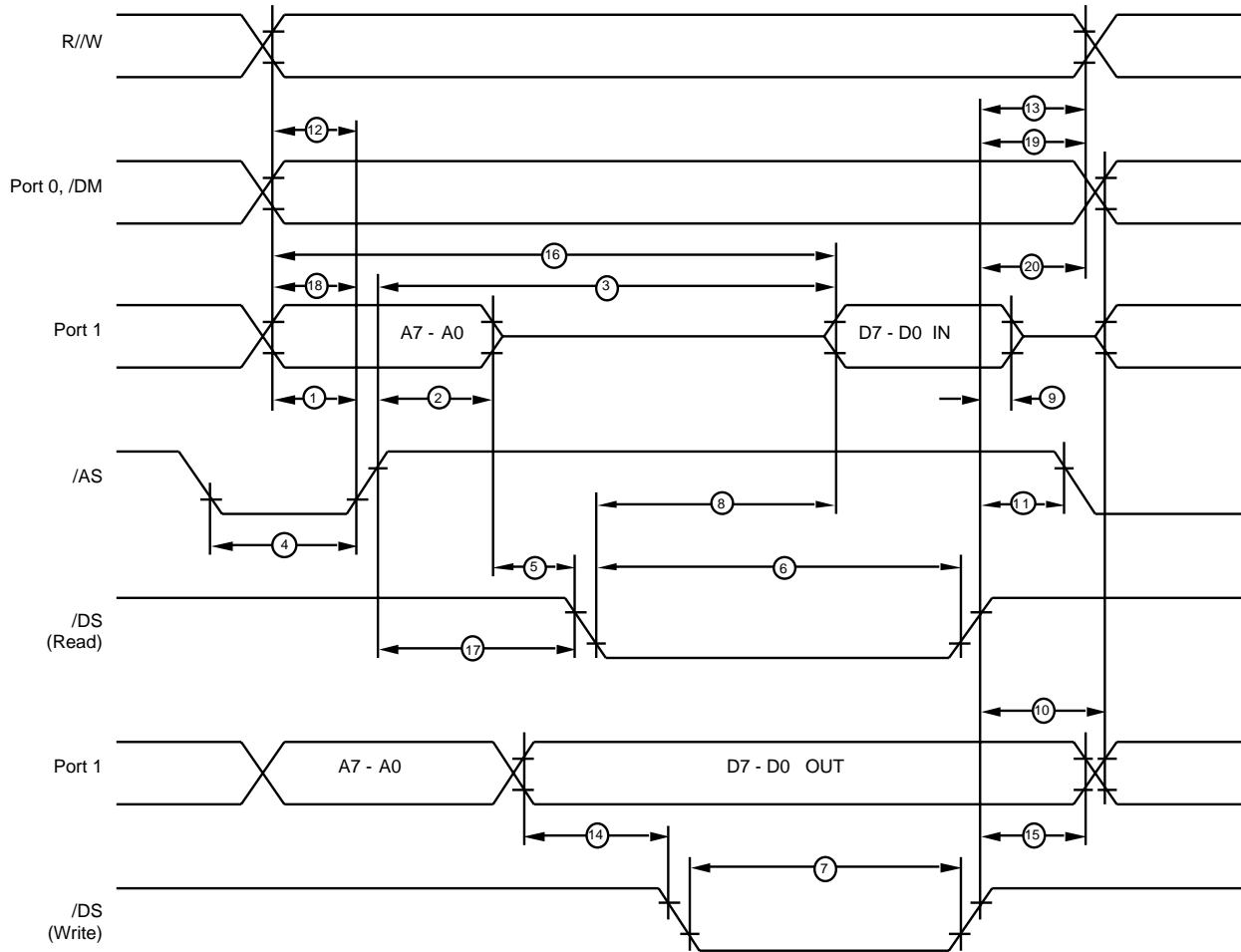


Figure 10. External I/O or Memory Read/Write Timing

Table 9. External I/O or Memory Read and Write Timing

$T_A = 0\text{ }^\circ\text{C to }+70\text{ }^\circ\text{C}$ 16 MHz						
No.	Symbol	Parameter	V _{CC}	Min.	Max.	Units Notes
1	TdA(AS)	Address Valid to /AS Rising Delay	3.0 V	55		ns 2
			5.5 V	55		ns
2	TdAS(A)	/AS Rising to Address Float Delay	3.0 V	70		ns 2
			5.5 V	70		ns
3	TdAS(DR)	/AS Rising to Read Data Required Valid	3.0 V		400	ns 1, 2
			5.5 V		400	ns 1, 2
4	TwAS	/AS Low Width	3.0 V	80		ns 2
			5.5 V	80		ns 2
5	Td	Address Float to /DS Falling	3.0 V	0		ns
			5.5 V	0		ns
6	TwDSR	/DS (Read) Low Width	3.0 V	300		ns 1, 2
			5.5 V	300		ns
7	TwDSW	/DS (Write) Low Width	3.0 V	165		ns 1, 2
			5.5 V	165		ns
8	TdDSR(DR)	/DS Falling to Read Data Required Valid	3.0 V		260	ns 1, 2
			5.5 V		260	ns
9	ThDR(DS)	Read Data to /DS Rising Hold Time	3.0 V	0		ns
			5.5 V	0		ns
10	TdDS(A)	/DS Rising to Address Active Delay	3.0 V	85		ns 2
			5.5 V	95		ns
11	TdDS(AS)	/DS Rising to /AS Falling Delay	3.0 V	60		ns 2
			5.5 V	70		ns
12	TdR/W(AS)	R/W Valid to /AS Rising Delay	3.0 V	70		ns 2
			5.5 V	70		ns
13	TdDS(R/W)	/DS Rising to R/W Not Valid	3.0 V	70		ns 2
			5.5 V	70		ns
14	TdDW(DSW)	Write Data Valid to /DS Falling (Write) Delay	3.0 V	80		ns 2
			5.5 V	80		ns
15	TdDS(DW)	/DS Rising to Write Data Not Valid Delay	3.0 V	70		ns 2
			5.5 V	80		ns
16	TdA(DR)	Address Valid to Read Data Required Valid	3.0 V		475	ns 1, 2
			5.5 V		475	ns



Table 9. External I/O or Memory Read and Write Timing (Continued)

$T_A = 0\text{ }^\circ\text{C to }+70\text{ }^\circ\text{C}$ 16 MHz						
No.	Symbol	Parameter	V_{CC}	Min.	Max.	Units Notes
17	TdAS(DS)	/AS Rising to /DS Falling Delay	3.0 V	100		ns 2
			5.5 V	100		ns 2
18	TdDM(AS)	/DM Valid to /AS Falling Delay	3.0 V	55		ns 2
			5.5 V	55		ns
19	TdDS(DM)	/DS Rise to /DM Valid Delay	3.0 V	70		ns
			5.5 V	70		ns
20	ThDS(A)	/DS Rise to Address Valid Hold Time	3.0 V	70		ns
			5.5 V	70		ns

Notes:

1. When using extended memory timing, add 2 TpC.

2. Timing numbers given are for minimum TpC.

Standard Test Load

All timing references use 0.9 V_{CC} for a logic 1 and 0.1 V_{CC} for a logic 0.

Figure 11 shows additional timing. Table 10 describes the additional timing.

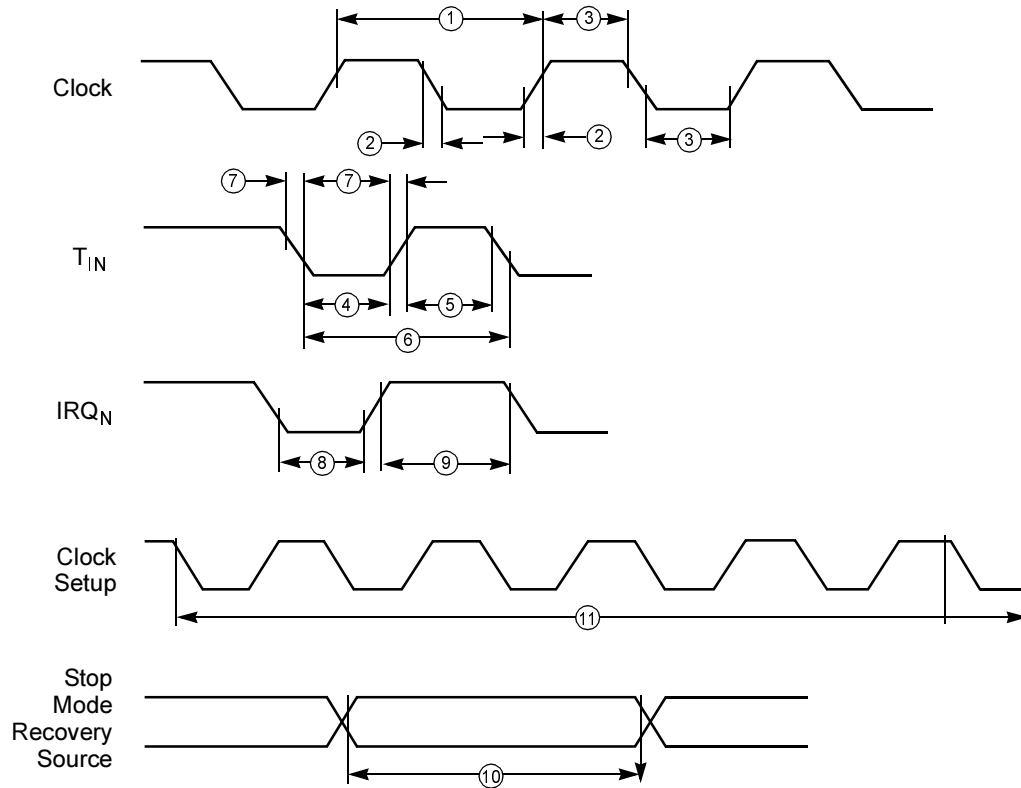


Figure 11. Additional Timing

Table 10. Additional Timing

$T_A = 0^\circ\text{C to } +70^\circ\text{C}$							
No	Symbol	Parameter	V_{CC}	Min	Max	Units	Notes
1	TpC	Input Clock Period	3.0 V	121	DC	ns	1
			5.5 V	121	DC	ns	1
2	TrC, TfC	Clock Input Rise and Fall Times	3.0 V		25	ns	1
			5.5 V		25	ns	1
3	TwC	Input Clock Width	3.0 V	37		ns	1
			5.5 V	37		ns	1
4	TwTinL	Timer Input Low Width	3.0 V	100		ns	1
			5.5 V	70		ns	1
5	TwTinH	Timer Input High Width	3.0 V	3TpC			1
			5.5 V	3TpC			1

Table 10. Additional Timing (Continued)

No	Symbol	Parameter	$T_A = 0^\circ\text{C to } +70^\circ\text{C}$			Units	Notes
			V_{CC}	Min	Max		
6	TpTi	Timer Input Period	3.0 V 5.5 V	8TpC 8TpC			1
7	TrTin,TfTi	Timer Input Rise and Fall Timers	3.0 V 5.5 V	100 70		ns ns	1 1
8A	TwIL	Interrupt Request Low Time	3.0 V 5.5 V	100 70		ns ns	1, 2 1, 2
8B	TwIL	Int. Request Low Time	4.5 V 5.5 V	3TpC 5TpC			1, 3 1, 3
9	TwIH	Interrupt Request Input High Time	4.5 V 5.5 V	5TpC 5TpC			1, 2 1, 2
10	Twsm	Stop-Mode Recovery Width Spec	3.0 V 5.5 V 3.0 V 5.5 V	12 12 5TpC 5TpC		ns ns	7 7 6 6
11	Tost	Oscillator Start-up Time	3.0 V 5.5 V		5TpC 5TpC		4
12	Twdt	Watch-Dog Timer Delay Time (5 ms)	3.0 V 5.5 V	12 5	75 20	ms ms	
		(10 ms)	3.0 V 5.5 V	25 10	150 40	ms ms	
		(20 ms)	3.0 V 5.5 V	50 20	300 80	ms ms	
		(80 ms)	3.0 V 5.5 V	225 80	1200 320	ms ms	

Notes:

1. Timing Reference uses 0.9 V_{CC} for a logic 1 and 0.1 V_{CC} for a logic 0.
2. Interrupt request through Port 3 (P33–P31).
3. Interrupt request through Port 3 (P30).
4. SMR – D5 = 0
5. Reg. WDTMR
6. Reg. SMR – D5 = 0
7. Reg. SMR – D5 = 1

Figure 12 shows the input handshake timing, and Figure 13 shows the output handshake timing. Table 11 describes the handshake timing.

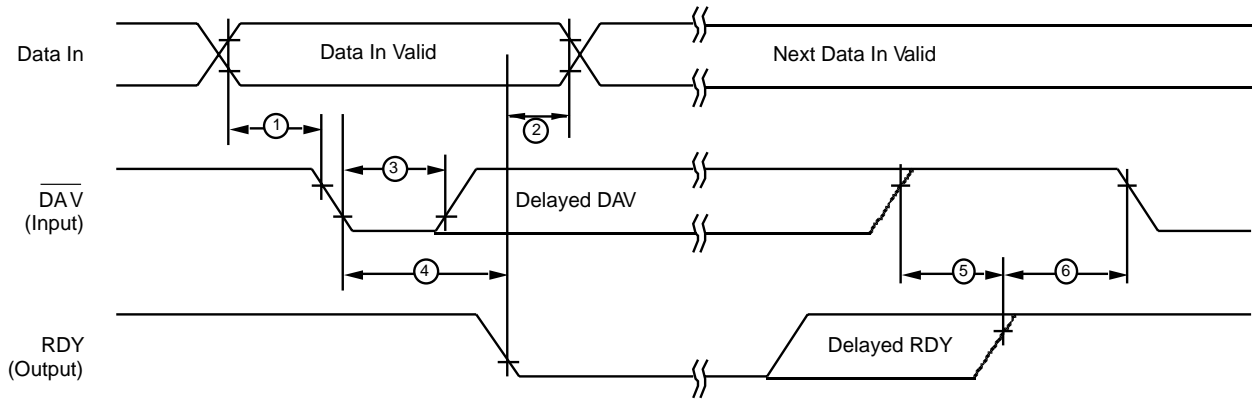


Figure 12. Input Handshake Timing

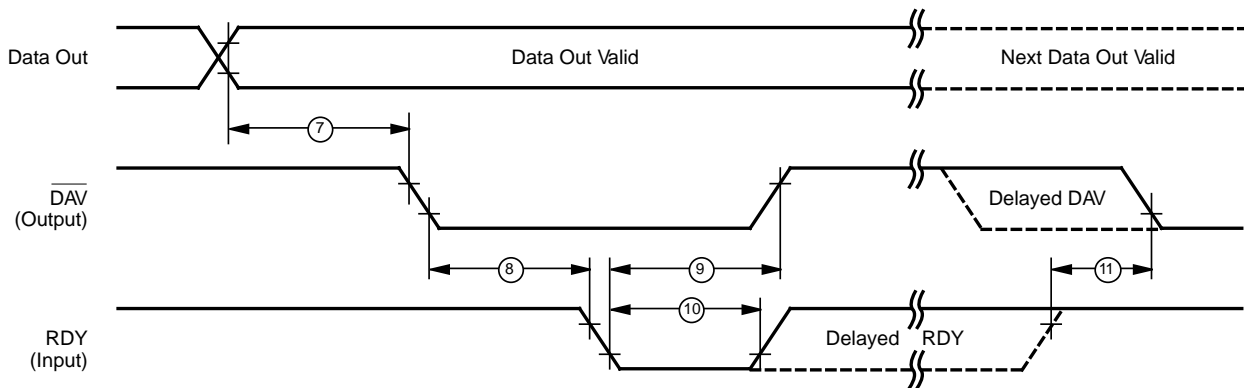


Figure 13. Output Handshake Timing

Table 11. Handshake Timing

No	Symbol	Parameter	V _{CC}	T _A = 0 °C to +70 °C 16 MHz		Data Direction
				Min	Max	
1	TsDI(DAV)	Data In Setup Time	4.0 V	0		IN
			5.5 V			IN
2	ThDI(DAV)	Data In Hold Time	4.0 V	0		IN
			5.5 V	0		IN
3	TwDAV	Data Available Width	4.0 V	155		IN
			5.5 V	110		IN



Table 11. Handshake Timing (Continued)

No	Symbol	Parameter	V _{CC}	T _A = 0 °C to +70 °C 16 MHz		Data
				Min	Max	Direction
4	TdDAVI(RDY)	DAV Falling to RDY Falling Delay	4.0 V		160	IN
			5.5 V		115	IN
5	TdDAVld(RDY)	DAV Rising to RDY Falling Delay	4.0 V		120	IN
			5.5 V		80	IN
6	TdRDYO(DAV)	RDY Rising to DAV Falling Delay	4.0 V	0		IN
			5.5 V	0		IN
7	TdDO(DAV)	Data Out to DAV Falling Delay	4.0 V	63		OUT
			5.5 V	63		OUT
8	TdDAV0(RDY)	DAV Falling to RDY Falling Delay	4.0 V	0		OUT
			5.5 V	0		OUT
9	TdRDY0(DAV)	RDY Falling to DAV Rising Delay	4.0 V		160	OUT
			5.5 V		115	OUT
10	TwRDY	RDY Width	4.0 V	110		OUT
			5.5 V	80		OUT
11	TdRDY0d(DAV)	RDY Rising to DAV Falling Delay	4.0 V		110	OUT
			5.5 V		80	OUT

Pin Functions

/DS (Output, Active Low)

Data Strobe is activated once for each external memory transfer. For a READ operation, data must be available before the trailing edge of /DS. For WRITE operations, the falling edge of /DS indicates that output data is valid.

/AS (Output, Active Low)

Address Strobe is pulsed once at the beginning of each machine cycle. Address output is through Port 0/Port 1 for all external programs. Memory address transfers are valid at the trailing edge of /AS. Under program control, /AS is placed in the high-impedance state along with Ports 0 and 1, Data Strobe, and Read/Write.

XTAL1 Crystal 1 (Time-Based Input)

This pin connects a parallel-resonant crystal, ceramic resonator, LC, or RC network or an external single-phase clock to the on-chip oscillator input.

XTAL2 Crystal 2 (Time-Based Output)

This pin connects a parallel-resonant, crystal, ceramic resonant, LC, or RC network to the on-chip oscillator output.

R/W Read/Write (Output, Write Low)

The R/W signal is Low when the CCP is writing to the external program or data memory.

R//RL (Input)

This pin, when connected to GND, disables the internal ROM and forces the device to function as a ROMless Z8.

- ▶ **Note:** When left unconnected or pulled high to V_{CC} , the part functions normally as a Z8 ROM version.

Port 0 (P07–P00)

Port 0 is an 8-bit, bidirectional, CMOS-compatible port. These eight I/O lines are configured under software control as a nibble I/O port or as an address port for interfacing external memory. The output drivers are push-pull. Port 0 is placed under handshake control. In this configuration, Port 3, lines P32 and P35 are used as the handshake control /DAV0 and RDY0. Handshake signal direction is



dictated by the I/O direction to Port 0 of the upper nibble P07–P04. The lower nibble must have the same direction as the upper nibble.

For external memory references, Port 0 can provide address bits A11–A8 (lower nibble) or A15–A8 (lower and upper nibble) depending on the required address space. If the address range requires 12 bits or less, the upper nibble of Port 0 can be programmed independently as I/O while the lower nibble is used for addressing. If one or both nibbles are needed for I/O operation, they must be configured by writing to the Port 0 mode register. After a hardware reset, Port 0 is configured as an input port.

Port 0 is set in the High-Impedance Mode if selected as an address output state along with Port 1 and the control signals /AS, /DS, and R/W.

A software option is available to program 0.4 V_{DD} CMOS trip inputs on P00–P03. This allows direct interface to mouse/trackball IR sensors.

An optional $200 \pm 50\%$ $K\Omega$ resistive transistor pull-up is available as a software option of all Port 0 bits with nibble select.

These pull-ups are disabled when configured (bit by bit) as an output. See Figure 14.

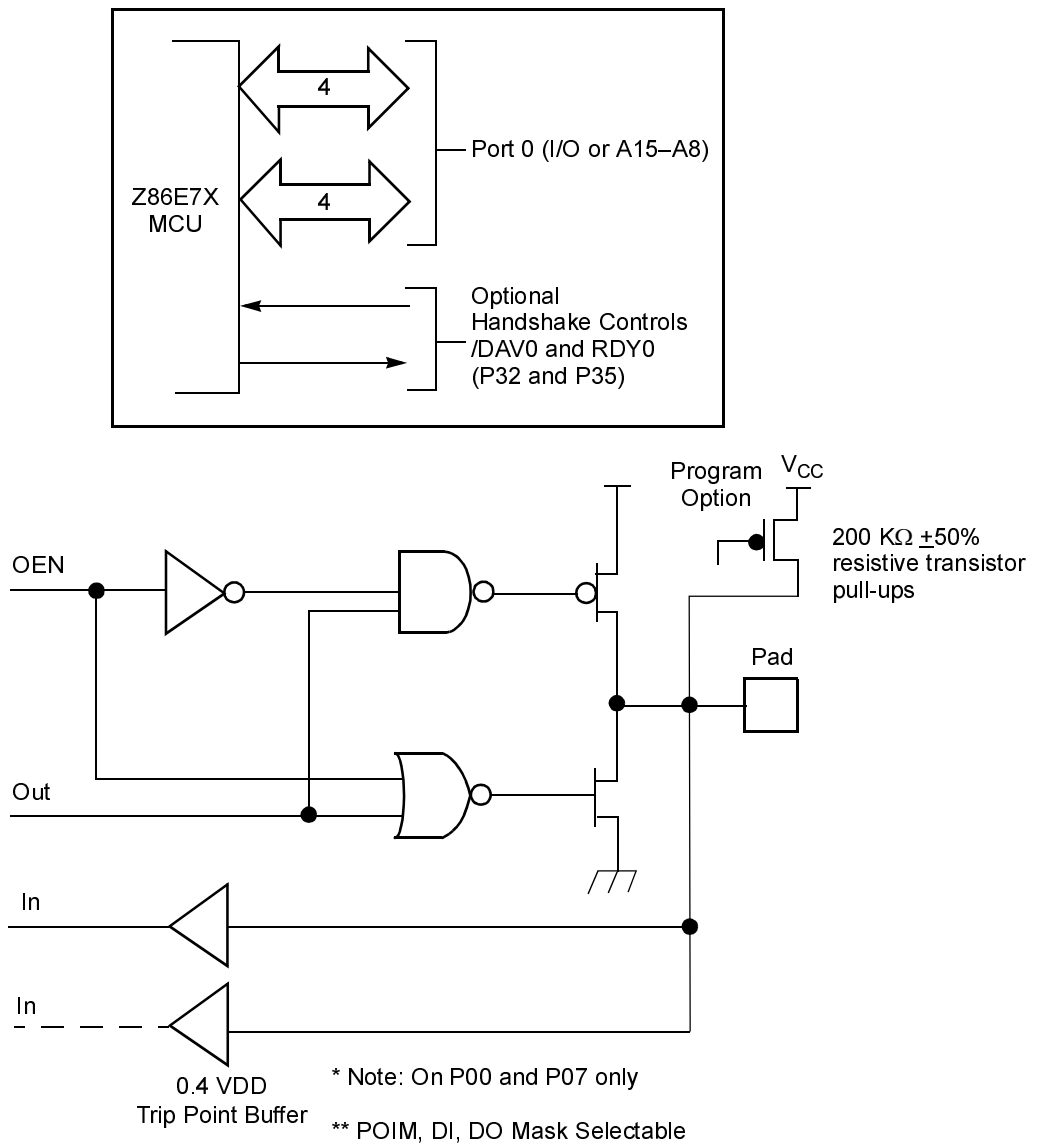


Figure 14. Port 0 Configuration



Port 1 (P17–P10)

Port 1 is a multiplexed Address (A7–A0) and Data (D7–D0), CMOS-compatible port. Port 1 is dedicated to the ZiLOG ZBus[®]-compatible memory interface. The operations of Port 1 are supported by the Address Strobe (/AS) and Data Strobe (/DS) lines and by the Read/Write (R/W) and Data Memory (/DM) control lines. Data memory read/write operations are done through this port. If more than 256 external locations are required, Port 0 outputs the additional lines.

Port 1 can be placed in the high-impedance state along with Port 0, /AS, /DS, and R/W, allowing the Z86E7X to share common resources in multiprocessor and DMA applications. Port 1 can also be configured for standard port output mode. See Figure 15.

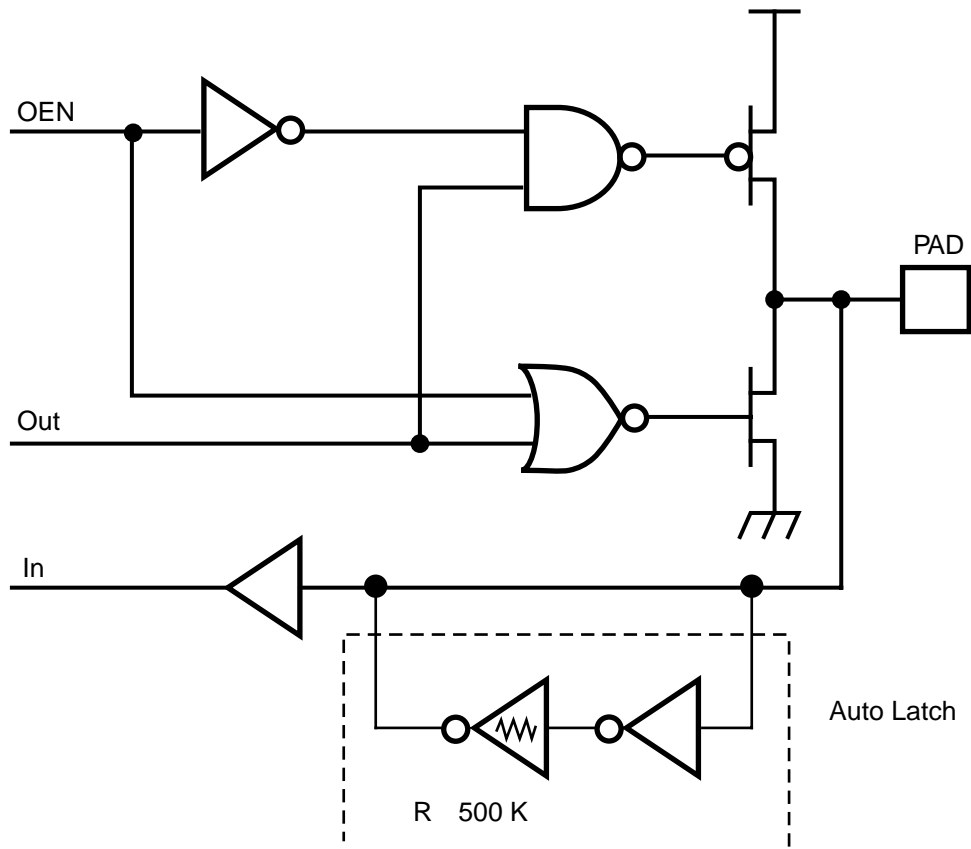
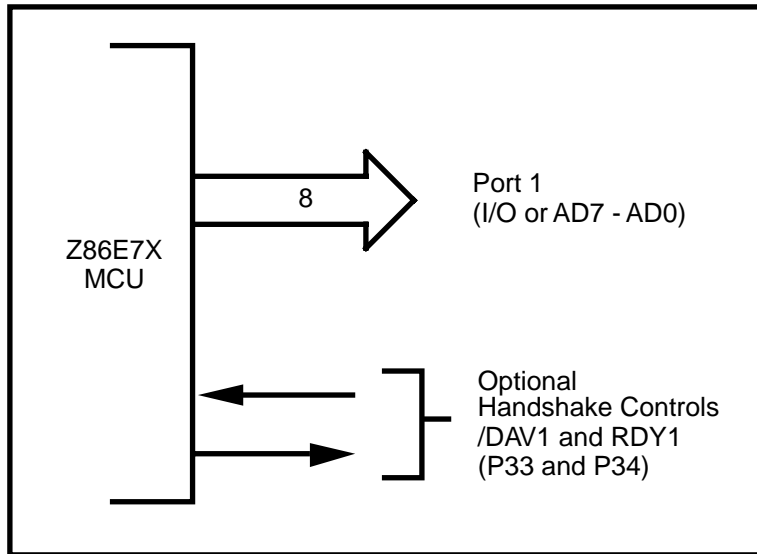


Figure 15. Port 1 Configuration

Port 2 (P27–P20)

Port 2 is an 8-bit, bidirectional, CMOS-compatible I/O port (see Figure 16). These eight I/O lines can be independently configured under software control as inputs or outputs. Port 2 is always available for I/O operation. A software option is available to connect eight 200 K Ω ($\pm 50\%$) pull-up resistors on this port. Bits programmed as outputs are globally programmed as either push-pull or open-drain. Port 2 can be placed under handshake control. In this configuration, Port 3 lines, P31 and P36 are used as the handshake controls lines /DAV2 and RDY2. The handshake signal assignment for Port 3, lines P31 and P36 is dictated by the direction (input or output) assigned to Bit 7, Port 2.

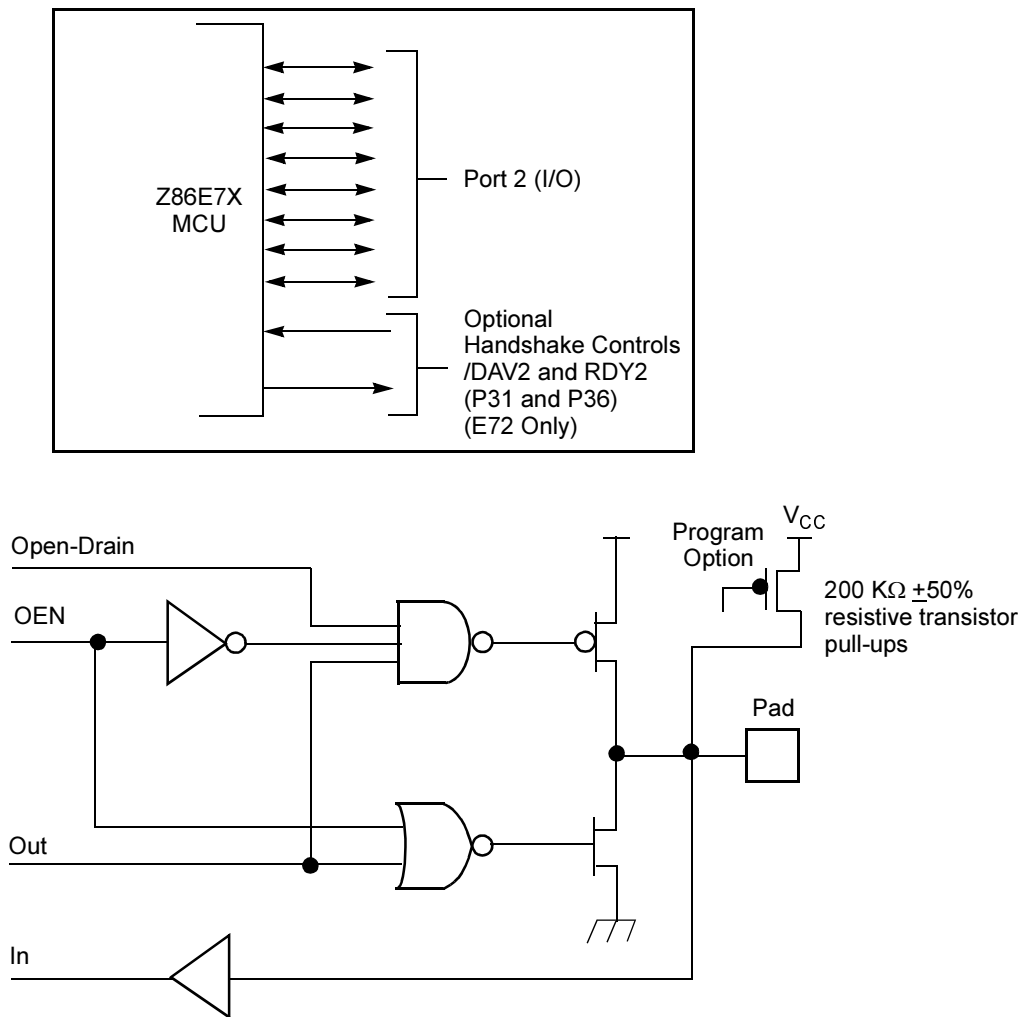


Figure 16. Port 2 Configuration

The CCP wakes up with the 8 bits of Port 2 configured as inputs with open-drain outputs.

Port 2 also has an 8-bit input OR and an AND gate that can be used to wake up the part. P20 can be programmed to access the edge-selection circuitry.

Port 3 (P37–P31)

Port 3 is a 7-bit, CMOS-compatible port (see Figure 17). Port 3 consists of three fixed inputs (P33–P31) and four fixed outputs (P37–P34) and can be configured under software control for Input/Output, Interrupt, Port handshake, Data Memory functions, and output from the counter/timers. P31, P32, and P33 are standard CMOS inputs; outputs are push-pull.

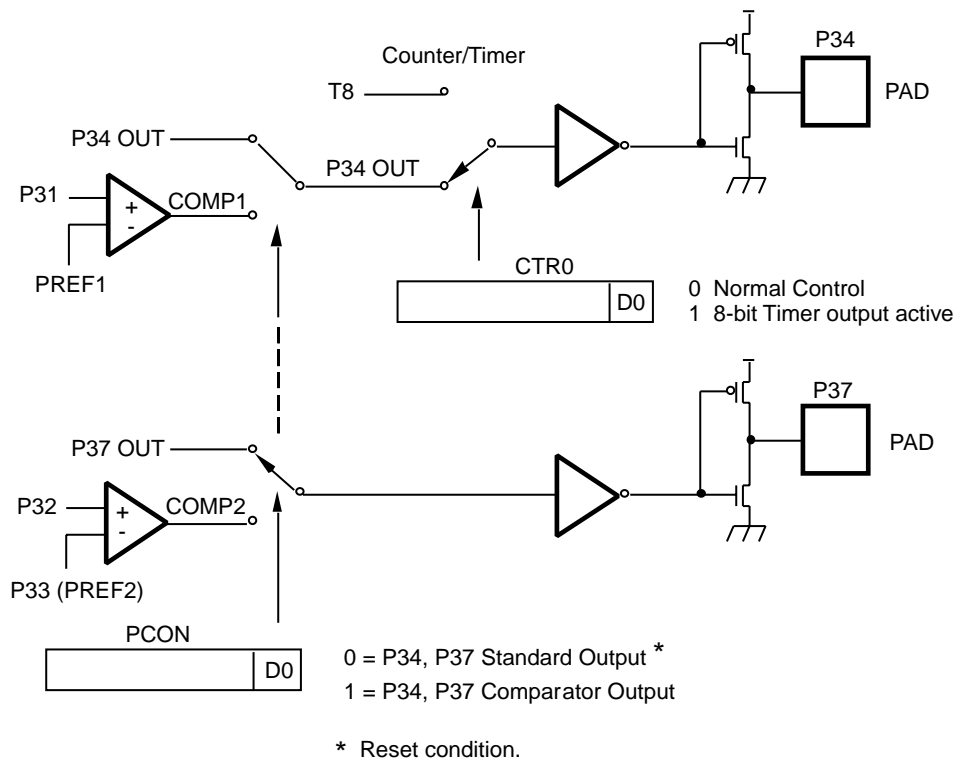


Figure 17. Port 3 Configuration

Two on-board comparators process analog signals on P31 and P32 with reference to the voltage on Pref1 and P33. The analog function is enabled by programming the Port 3 Mode Register (bit 1). P31 and P32 are programmable as rising, falling, or both edge-triggered interrupts (IRQ register bits 6 and 7). Pref1 and P33

are the comparator reference voltage inputs. Access to the Counter Timer edge-detection circuit is through P31 or P20 (see “CTR1(D)01h Register” on page 48).

Port 3 provides the following control functions: handshake for Ports 0, 1, and 2 (/DAV and RDY); three external interrupt request signals (IRQ2–IRQ0); Data Memory Select (/DM). See Table 12.

Table 12. Pin Assignments

Pin	I/O	C/T	Comp.	Int.	P0 HS	P1 HS	P2 HS	Ext
Pref1	IN		RF1					
P31	IN	IN	AN1	IRQ2			D/R	
P32	IN		AN2	IRQ0	D/R			
P33	IN		RF2	IRQ1		D/R		
P34	OUT	T8	A01			R/D		D/M
P35	OUT	T16			R/D			
P36	OUT	T8/16					R/D	
P37	OUT		A02					
P20	I/O	IN						

Notes:

HS = Handshake Signals

D = /DAV

R = RDY

Port 3 also provides output for each of the counter/timers and the AND/OR Logic. Control is performed by programming bits D5–D4 of CTR1, bit 0 of CTR0, and bit 0 of CTR2.

Comparator Inputs

In Analog Mode, Port 3 (P31 and P32) has a comparator front end. The comparator reference is supplied to P33 and Pref1. In this mode, the P33 internal data latch and its corresponding IRQ1 are diverted to the SMR sources (excluding P31, P32, and P33) as shown in Figure 18. In digital mode, P33 is used as D3 of the Port 3 input register which then generates IRQ1 as shown in Figure 23.



Note: Comparators are disabled/powered down by entering STOP Mode. For P31–P33 to be used as a Stop-Mode recovery source, these inputs must be placed into digital mode.

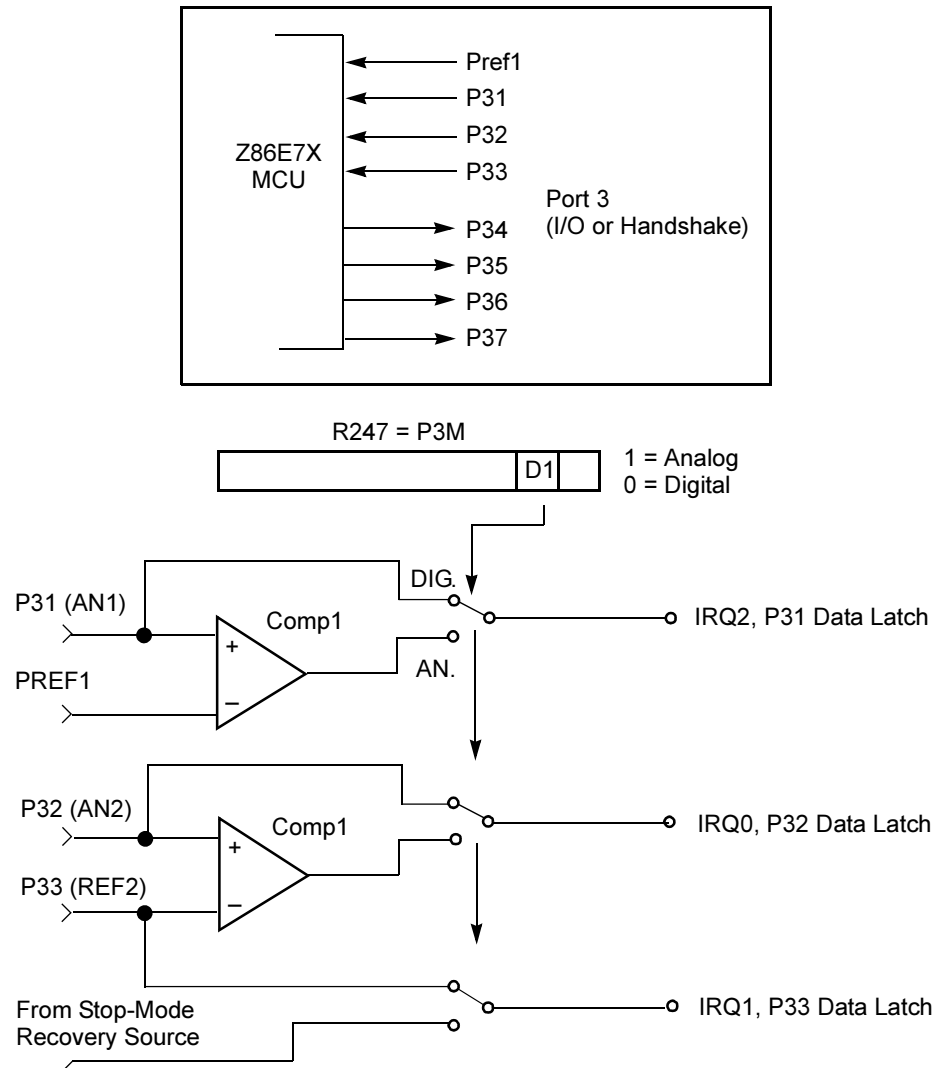


Figure 18. Port 3 Configuration

Comparator Outputs

These outputs can be programmed to be output on P34 and P37 through the PCON register (Figure 19).

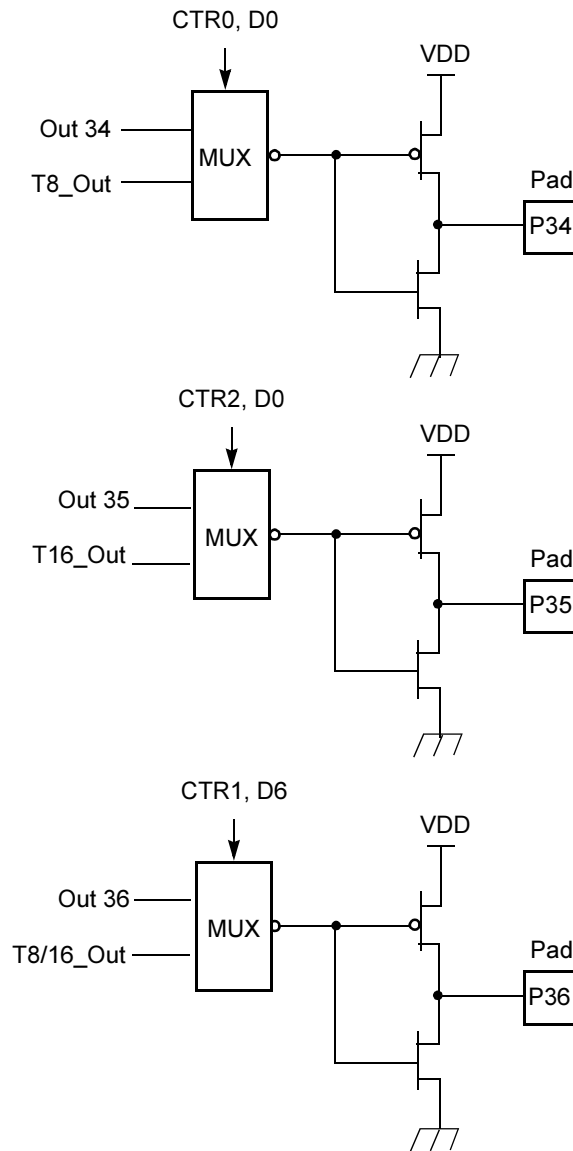


Figure 19. Port 3 Configuration



/RESET (Input, Active Low)

Reset initializes the MCU. Reset is accomplished either through Power-On, Watch-Dog Timer, Stop-Mode Recovery, Low-Voltage detection, or external reset. During Power-On Reset and Watch-Dog Timer Reset, the internally generated reset drives the reset pin Low for the POR time. Any devices driving the reset line need to be open-drain to avoid damage from a possible conflict during reset conditions. Pull-up is provided internally. There is no condition internal to the Z86E7X that does not allow an external reset to occur.

After the POR time, /RESET is a Schmitt-triggered input. To avoid asynchronous and noisy reset problems, the Z86E7X is equipped with a reset filter of four external clocks (4TpC). If the external reset signal is less than 4TpC in duration, no reset occurs. On the fifth clock after the reset is detected, an internal RST signal is latched and held for an internal register count of 18 external clocks or for the duration of the external reset, whichever is longer.

During the reset cycle, /DS is held active Low while /AS cycles at a rate of TpC/2. Program execution begins at location 000CH, 5–10 TpC cycles after the RST is released. For Power-On Reset, the typical reset output time is 5 ms.



Note: The Z86E7X devices do not have internal pull resistors on Port 3 inputs.



Functional Description

The Z86E72/73 microcontrollers incorporate special functions to enhance the Z8's functionality in consumer and battery-operated applications.

Reset

The device is reset in one of the following conditions:

- Power-On Reset
- Watch-Dog Timer
- Stop-Mode Recovery Source
- Low Voltage Detection
- External Reset

Program Memory

The Z86E72/73 microcontrollers address up to 16K/32 KB of internal program memory, with the remainder being external memory (Figure 20). The first 12 bytes of program memory are reserved for the interrupt vectors. These locations contain five 16-bit vectors that correspond to the five available interrupts. Addresses of 16K/32K consist of on-chip OTP. At addresses 16K or 32K and greater, the Z86E72/73 microcontrollers execute external program memory fetches (see “External Memory” on page 38).

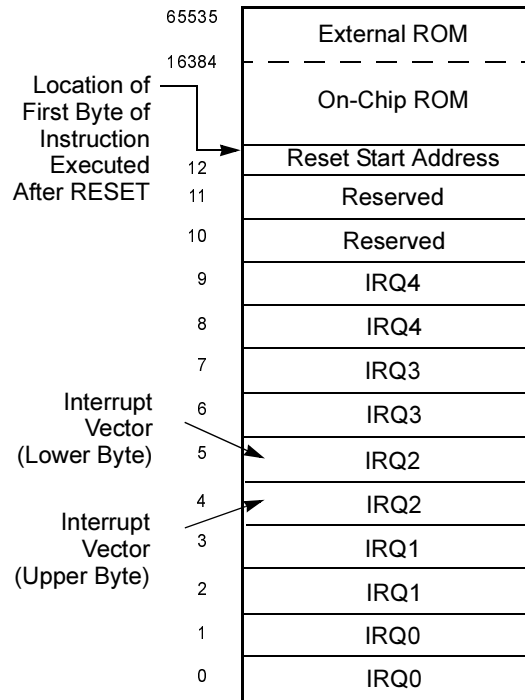


Figure 20. Program Memory Map

RAM

The Z86E72 has a 768-byte RAM; 256 bytes make up the register file. The remaining 512 bytes make up the Extended Data RAM. The Z86E73 has just the 256 bytes of the register file.

Extended Data RAM

The Extended Data RAM of the Z86E72 occupies the address range FE00H–FFFFH (512 bytes). This range of addresses FD00H–FFFFH cannot be used to directly read from or write to external memory. Accessing the Extended Data RAM is accomplished by using LDE or LDEI instructions. Port 1 and Port 0 are free to be set as I/O or ADDR/DATA modes; expect high-impedance when accessing Extended Data RAM. In addition, if the external memory uses the same address range of the Extended Data RAM, it can be used as the External Stack only.

Exercise caution when using extended data RAM (not Z8 RAM) on the Z86E72 OTP microcontroller. Extended RAM spaces FF0C–FF0F, FF10, FE0C–FE0F, and FE10 are reserved. Do not use these extended RAM locations.



- ▶ **Note:** The Extended Data RAM cannot be used as STACK or instruction/code memory. Accessing the Extended Data RAM has the following condition: P01M register bits D4–D3 cannot be set to 11.

External Memory

The Z86E72/73 microcontrollers address up to 32 KB (minus FD00H–FFFFH) of external memory beginning at address 8000H (32K+1). External data memory is included with, or separated from, the external program memory space. /DM, an optional I/O function that is programmed to appear on P34, is used to distinguish between data and program memory space. The state of the /DM signal is controlled by the type of instruction being executed. An LDC op code references PROGRAM (/DM inactive) memory, and an LDE instruction references data (/DM active Low) memory. See Figure 21.

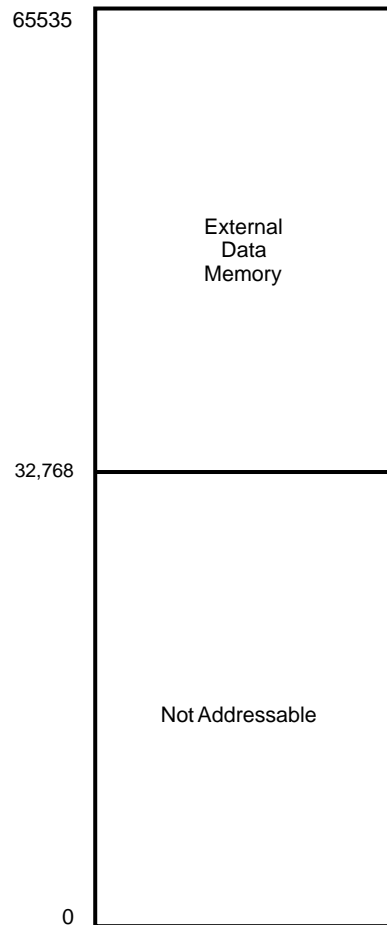


Figure 21. External Memory Map

Expanded Register File

The register file has been expanded to allow for additional system control registers and for mapping of additional peripheral devices into the register address area. The Z8 register address space R0 through R15 has been implemented as 16 banks of 16 registers per bank. These register groups are known as the Expanded Register File (ERF).

Bits 7–4 of register RP select the working register group. Bits 3–0 of register RP select the expanded register file bank.

- **Note:** The expanded register bank is also referred to as the expanded register group (see Figure 22).



The upper nibble of the register pointer (Figure 23 on page 42) selects which working register group of 16 bytes in the register file, out of the possible 256, is accessed. The lower nibble selects the expanded register file bank and, in the case of the Z86E7X family, banks 0, F, and D are implemented. A 0h in the lower nibble allows the normal register file (bank 0) to be addressed, but any other value from 1h to Fh exchanges the lower 16 registers to an expanded register bank.

For example, Z86E73 (see Figure 22):

```
R253 RP = 00H
      R0 = Port0
      R1 = Port1
      R2 = Port2
      R3 = Port3
```

But if:

```
R253 RP = 0DH
      R0 = CTRL0
      R1 = CTRL1
      R2 = CTRL2
      R3 = Reserved
```

The counter/timers are mapped into ERF group D. Access is easily done using the following example:

```
LD      RP,#0Dh      ; Select ERF D for access and register
                        ; Bank 0 as the working register group.
LD      R0,#xx       ; access CTRL0
LD      1,#xx        ; access CTRL1
LD      RP,#7Dh      ; Select expanded register group (ERF)
                        ; group D for access and register
                        ; Bank 7 as the working register bank.
LD      R1,2         ; CTRL2→register 71H
```

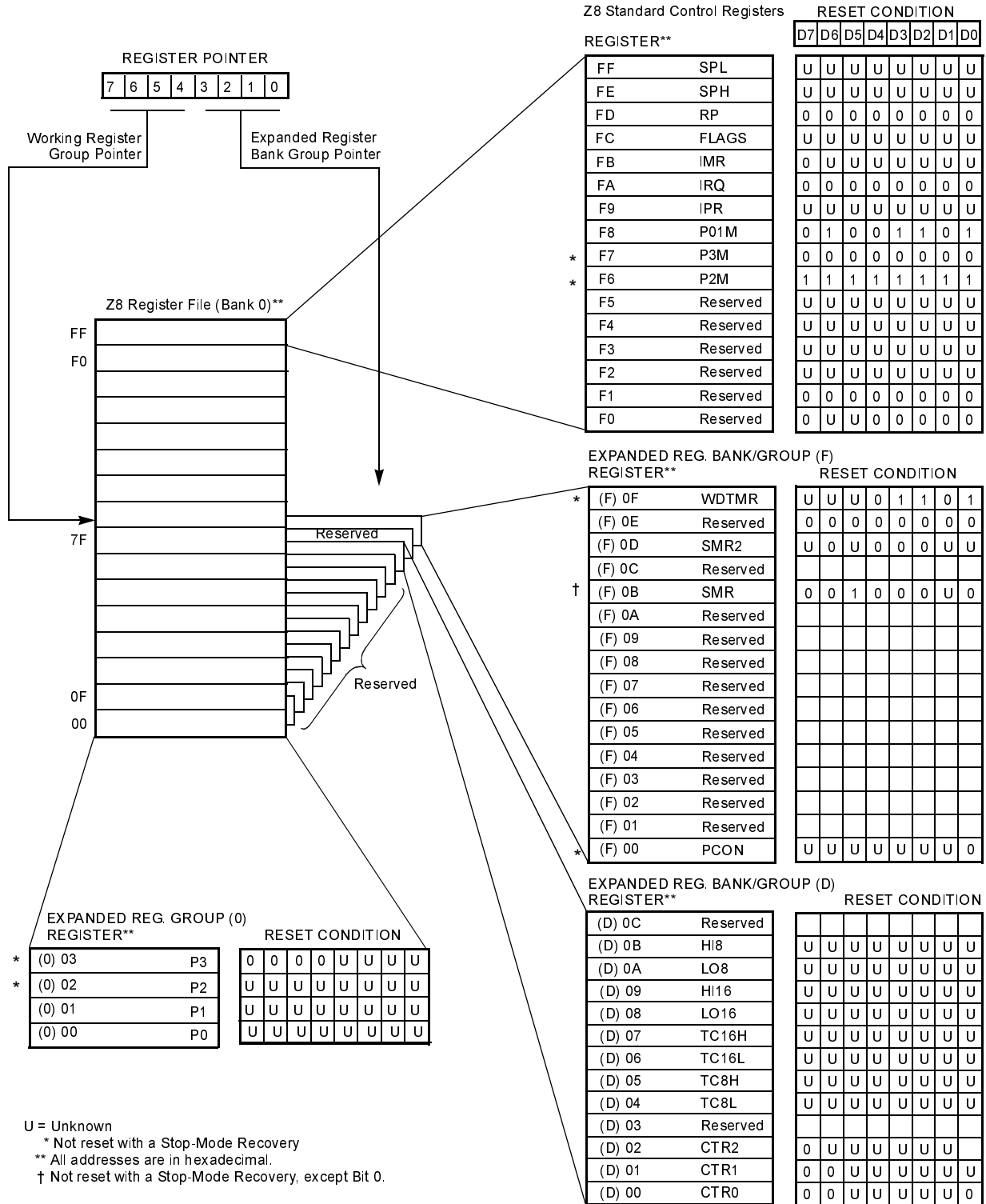



Figure 22. Expanded Register File Architecture

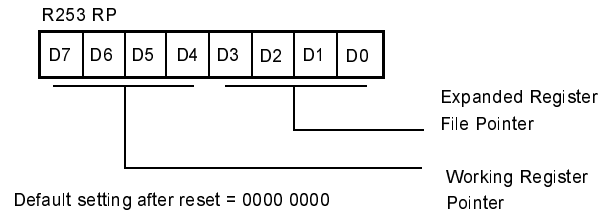


Figure 23. Register Pointer

Register File

The register file (bank 0) consists of 4 I/O port registers, 236 general-purpose registers, and 16 control and status registers (R0–R3, R4–R239, and R240–R255, respectively), plus two expanded registers groups (Banks D and F). Instructions can access registers directly or indirectly through an 8-bit address field. This allows a short, 4-bit register address using the register pointer (Figure 24). In the 4-bit mode, the register file is divided into 16 working register groups, each occupying 16 continuous locations. The register pointer addresses the starting location of the active working register group.

- ▶ **Note:** Working register group E0–EF of Bank 0 are only accessed through working registers and indirect addressing modes.

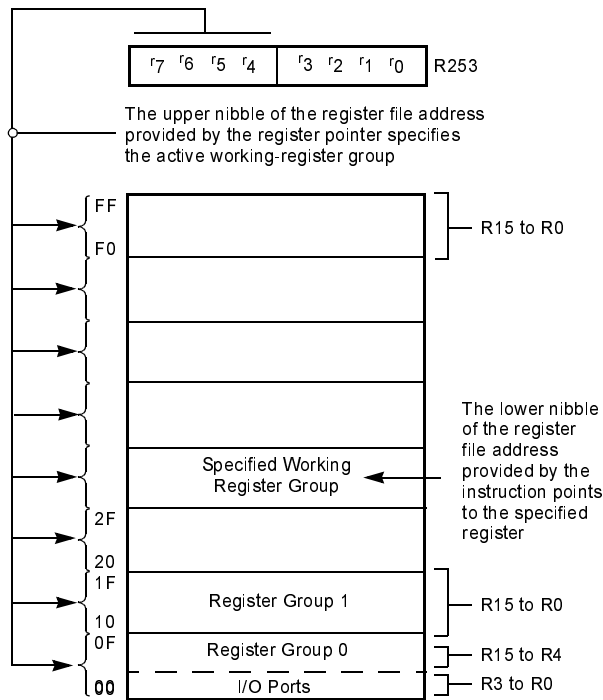


Figure 24. Register Pointer

Stack

The Z86E7X external data memory or the internal register file is used for the stack. An 8-bit stack pointer (R255) is used for the internal stack that resides in the general-purpose registers (R4–R239). SPH is used as a general-purpose register only when using internal stacks.

- **Note:** When SPH is used as a general-purpose register and Port 0 is in address mode, the contents of SPH are loaded into Port 0 whenever the internal stack is accessed.

Counter/Timer Register Description

Table 13 describes the expanded register group D.

Table 13. Expanded Register Group D

(D) 0Ch	Reserved
(D) 0Bh	HI8
(D) 0Ah	LO8

Table 13. Expanded Register Group D (Continued)

(D) 09h	HI16
(D) 08h	LO16
(D) 07h	TC16H
(D) 06h	TC16L
(D) 05h	TC8H
(D) 04h	TC8L
(D) 03h	Reserved
(D) 02h	CTR2
(D) 01h	CTR1
(D) 00h	CTR0

HI8(D)0Bh Register

This register (Table 14) holds the captured data from the output of the 8-bit Counter/Timer0. This register is typically used to hold the number of counts when the input signal is 1.

Table 14. HI8(D)0Bh Register

Field	Bit Position	Value	Description
T8_Capture_HI	76543210	R/W	Captured Data No Effect

L08(D)0Ah Register

This register (Table 15) holds the captured data from the output of the 8-bit Counter/Timer0. This register is typically used to hold the number of counts when the input signal is 0.

Table 15. L08(D)0Ah Register

Field	Bit Position	Value	Description
T8_Capture_L0	76543210	R/W	Captured Data No Effect

HI16(D)09h Register

This register (Table 16) holds the captured data from the output of the 16-bit Counter/Timer16. This register holds the MS-Byte of the data.

Table 16. HI16(D)09h Register

Field	Bit Position	Value	Description
T16_Capture_HI	76543210	R/W	Captured Data No Effect

L016(D)08h Register

This register (Table 17) holds the captured data from the output of the 16-bit Counter/Timer16. This register holds the LS-Byte of the data.

Table 17. LO16(D)08h Register

Field	Bit Position	Value	Description
T16_Capture_LO	76543210	R/W	Captured Data No Effect

TC16H(D)07h Register

Table 18 describes the Counter/Timer2 MS-Byte Hold Register.

Table 18. TC16H(D)07h Register

Field	Bit Position	Value	Description
T16_Data_HI	76543210	R/W	Data

TC16L(D)06h Register

Table 19 describes the Counter/Timer2 LS-Byte Hold Register.

Table 19. TC16L(D)06h Register

Field	Bit Position	Value	Description
T16_Data_LO	76543210	R/W	Data



TC8H(D)05h Register

Table 20 describes the Counter/Timer8 High Hold Register.

Table 20. TC8H(D)05h Register

Field	Bit Position	Value	Description
T8_Level_HI	76543210	R/W	Data

TC8L(D)04h Register

Table 21 describes the Counter/Timer8 Low Hold Register.

Table 21. TC8L(D)04h Register

Field	Bit Position	Value	Description
T8_Level_LO	76543210	R/W	Data

CTR0(D)00h Register

Table 22 describes the Counter/Timer8 Control Register.

Table 22. CTR0(D)00h Register

Field	Bit Position	Value	Description	
T8_Enable	7-----	R	0*	Counter Disabled
			1	Counter Enabled
		W	0	Stop Counter
			1	Enable Counter
Single/Modulo	-6-----	R/W	0	Modulo-N
			1	Single Pass
Time_Out	--5-----	R	0	No Counter Time-Out
			1	Counter Time-Out Occurred
		W	0	No Effect
			1	Reset Flag to 0
T8_Clock	---43---	R/W	0 0	SCLK
			0 1	SCLK/2
			1 0	SCLK/4
			1 1	SCLK/8
Capture_INT_MASK	-----2--	R/W	0	Disable Data Capture Int.
			1	Enable Data Capture Int.

Table 22. CTR0(D)00h Register (Continued)

Field	Bit Position		Value	Description
Counter_INT_Mask	-----1-	R/W	0	Disable Time-Out Int.
			1	Enable Time-Out Int.
P34_Out	-----0	R/W	0*	P34 as Port Output
			1	T8 Output on P34

Note: *Indicates the value upon Power-On Reset

T8 Enable

This field enables T8 when set (written) to 1.

Single/Modulo-N

When set to 0 (modulo-n), the counter reloads the initial value when the terminal count is reached. When set to 1 (single pass), the counter stops when the terminal count is reached.

Time-Out

This bit is set when T8 times out (terminal count reached). To reset this bit, a 1 must be written to this location.

- ▶ **Notes:** This is the only way to reset this status condition; therefore, you must reset this bit before using/enabling the counter/timers.

Care must be taken when using the OR or AND commands to manipulate CTR0, bit 5 and CTR1, bits 0 and 1 (demodulation mode). These instructions use a Read-Modify-Write sequence in which the current status from the CTR0 and CTR1 registers is ORed or ANDED with the designated value and then written back into the registers. For example, when the status of bit 5 is 1, a reset condition occurs.

T8 Clock

This bit defines the frequency of the input signal to T8.

Capture_INT_Mask

Set this bit to allow interrupt when data is captured into either LO8 or HI8 upon a positive or negative edge detection in demodulation mode.



Counter_INT_Mask

Set this bit to allow interrupt when T8 has a time out.

P34_Out

This bit defines whether P34 is used as a normal output pin or the T8 output.

CTR1(D)01h Register

This register (Table 23) controls the functions in common with the T8 and T16.

Table 23. CTR1(D)01h Register

Field	Bit Position	R/W	Value	Description
Mode	7-----	R/W	0*	Transmit Mode
			1	Demodulation Mode
P36_Out/Demodulator_Input	-6-----	R/W	0*	Transmit Mode
			1	Port Output
			0	T8/16 Output
			1	Demodulation Mode
T8/T16_Logic/Edge_Detect	--54----	R/W	0	P31
			1	P20
			Transmit Mode	
			0 0	AND
			0 1	OR
			1 0	NOR
			1 1	NAND
			Demodulation Mode	
			0 0	Falling Edge
			0 1	Rising Edge
			1 0	Both Edges
			1 1	Reserved
Transmit_Submode/Glitch_Filter	----32--	R/W	Transmit Mode	
			0 0	Normal Operation
			0 1	Ping-Pong Mode
			1 0	T16_OUT = 0
			1 1	T16_OUT = 1
			Demodulation Mode	
			0 0	No Filter
			0 1	4 SCLK Cycle
			1 0	8 SCLK Cycle
			1 1	16 SCLK Cycle



Table 23. CTR1(D)01h Register (Continued)

Field	Bit Position		Value	Description
Initial_T8_Out/Rising_Edge	-----1-	R/W	0	Transmit Mode T8_OUT is 0 Initially
			1	T8_OUT is 1 Initially
		R	0	Demodulation Mode No Rising Edge
			1	Rising Edge Detected
		W	0	No Effect
			1	Reset Flag to 0
Initial_T16_Out/Falling_Edge	-----0	R/W	0	Transmit Mode T16_OUT is 0 Initially
			1	T16_OUT is 1 Initially
		R	0	Demodulation Mode No Falling Edge
			1	Falling Edge Detected
		W	0	No Effect
			1	Reset Flag to 0

Note: * Indicates the value upon Power-On Reset.

Mode

If it is 0, the counter/timers are in the transmit mode; otherwise, they are in the demodulation mode.

P36_Out/Demodulator_Input

In transmit mode, this bit defines whether P36 is used as a normal output pin or the combined output of T8 and T16.

In demodulation mode, this bit defines whether the input signal to the counter/timers is from P20 or P31.

T8/T16_Logic/Edge_Detect

In transmit mode, this field defines how the outputs of T8 and T16 are combined (AND, OR, NOR, NAND).

In demodulation mode, this field defines which edge needs to be detected by the edge detector.

Transmit_Submode/Glitch_Filter

In transmit mode, this field defines whether T8 and T16 are in the “Ping-Pong” mode or in independent normal operation mode. Setting this field to “Normal

Operation Mode” terminates the “Ping-Pong Mode” operation. When set to 10, T16 is immediately forced to a 0. When set to 11, T16 is immediately forced to a 1.

In demodulation mode, this field defines the width of the glitch that must be filtered out.

Initial_T8_Out/Rising_Edge

In transmit mode, if 0, the output of T8 is set to 0 when it starts to count. If 1, the output of T8 is set to 1 when it starts to count. When this bit is set to 1 or 0, T8_OUT is set to the opposite state of this bit. This ensures that when the clock is enabled, a transition occurs to the initial state set by CTR1, D1.

In demodulation mode, this bit is set to 1 when a rising edge is detected in the input signal. To reset it, a 1 must be written to this location.

Initial_T16 Out/Falling_Edge

In transmit mode, if it is 0, the output of T16 is set to 0 when it starts to count. If it is 1, the output of T16 is set to 1 when it starts to count. This bit is effective only in Normal or Ping-Pong Mode (CTR1, D3, D2). When this bit is set, T16_OUT is set to the opposite state of this bit. This ensures that when the clock is enabled a transition occurs to the initial state set by CTR1, D0.

In demodulation mode, this bit is set to 1 when a falling edge is detected in the input signal. To reset it, a 1 must be written to this location.

- ▶ **Note:** Modifying CTR1 (D1 or D0) while the counters are enabled causes unpredictable output from T8/T16 out.



CTR2(D)02h Register

Table 24 describes the Counter/Timer16 Control Register.

Table 24. CTR2(D)02h Register

Field	Bit Position		Value	Description
T16_Enable	7-----	R	0*	Counter Disabled
			1	Counter Enabled
		W	0	Stop Counter
			1	Enable Counter
Submode/Modulo-N	-6-----	R/W	0	Transmit Mode
			1	Modulo-N
			0	Single Pass
			1	Demodulation Mode
Time_Out	--5-----	R	0	T16 Recognizes Edge
			1	T16 Does Not Recognize Edge
		W	0	No Counter Time-Out
			1	Counter Time-Out Occurred
T16_Clock	---43---	R/W	00	No Effect
			01	Reset Flag to 0
			10	SCLK
			11	SCLK/2
Capture_INT_Mask	-----2--	R/W	0	SCLK/4
			1	SCLK/8
Counter_INT_Mask	-----1-	R/W	0	Disable Data Capture Int.
			1	Enable Data Capture Int.
P35_Out	-----0	R/W	0*	Disable Time-Out Int.
			1	Enable Time-Out Int.

Note: * Indicates the value upon Power-On Reset.

T16_Enable

This field enables T16 when set to 1.

Single/Modulo-N

In transmit mode, when set to 0, the counter reloads the initial value when terminal count is reached. When set to 1, the counter stops when the terminal count is reached.



In demodulation mode, when set to 0, T16 captures and reloads on detection of all the edges. When set to 1, T16 captures and detects on the first edge, but ignores the subsequent edges. For details, see “T16 Demodulation Mode” on page 60.

Time_Out

This bit is set when T16 times out (terminal count reached). To reset it, a 1 must be written to this location.

T16_Clock

This bit defines the frequency of the input signal to Counter/Timer16.

Capture_INT_Mask

Set this bit to allow interrupt when data is captured into LO16 and HI16.

Counter_INT_Mask

Set this bit to allow interrupt when T16 times out.

P35_Out

This bit defines whether P35 is used as a normal output pin or T16 output.

SMR2(F)0Dh Register

Table 25 describes Stop-Mode Recovery Register 2.

Table 25. SMR2(F)0Dh Register

Field	Bit Position	Value	Description
Reserved	7-----	0	Reserved (Must be 0)
Recovery Level	-6-----	W 0* 1	Low High
Reserved	--5-----	0	Reserved (Must be 0)
Source	---432--	W 000* 001 010 011 100 101 110 111	A. POR Only B. NAND of P23–P20 C. NAND or P27–P20 D. NOR of P33–P31 E. NAND of P33–P31 F. NOR of P33–P31, P00, P07 G. NAND of P33–P31, P00, P07 H. NAND of P33–P31, P22–P20
Reserved	-----10	00	Reserved (Must be 0)

Note: * Indicates the value upon Power-On Reset.

Counter/Timer Functional Blocks

The following are the counter/timer functional blocks:

- Input circuit
- Eight-bit counter/timer circuits (page 54)
- Sixteen-bit counter/timer circuits (page 59)
- Output circuit (page 62)

Input Circuit

The edge detector monitors the input signal on P31 or P20. Based on CTR1 D5–D4, a pulse is generated at the Pos Edge or Neg Edge line when an edge is detected. Glitches in the input signal that have a width less than specified (CTR1 D3, D2) are filtered out (see Figure 25).

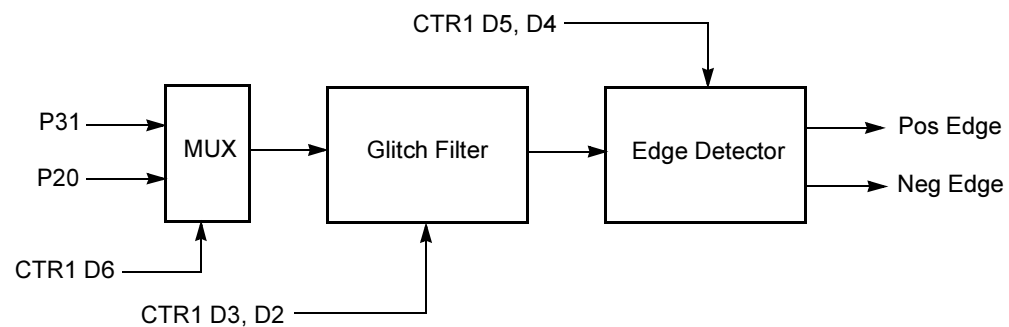


Figure 25. Glitch Filter Circuitry

Eight-Bit Counter/Timer Circuits

Figure 26 shows the 8-bit counter/timer circuits.

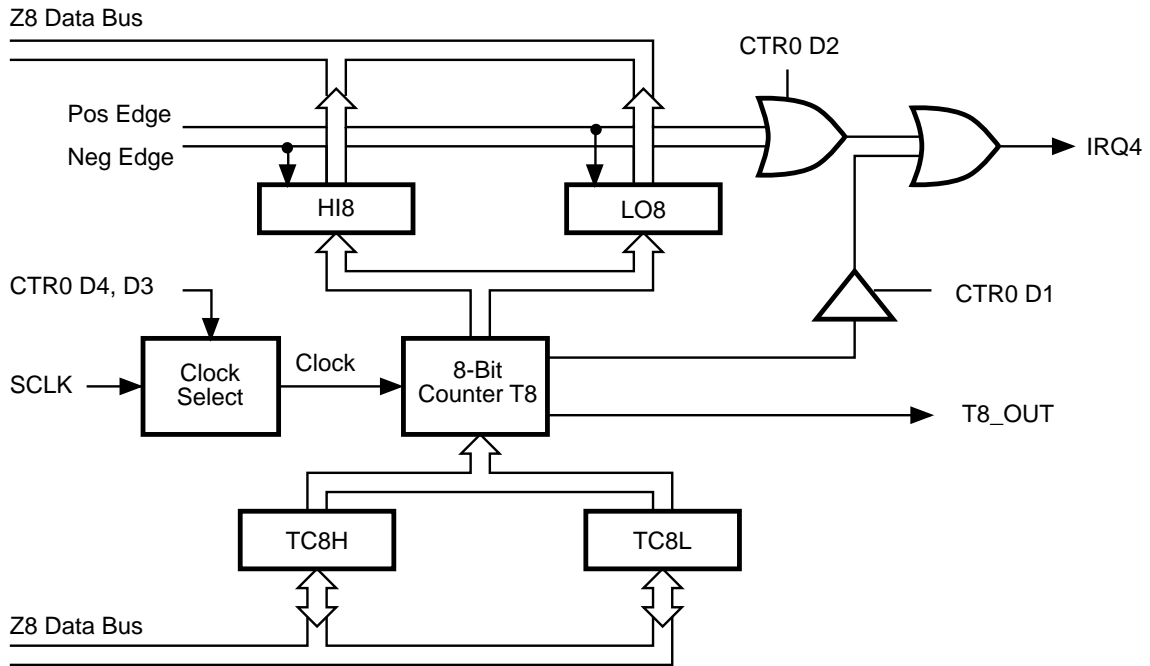


Figure 26. Eight-Bit Counter/Timer Circuits

T8 Transmit Mode

When T8 is enabled, the output of T8 depends on CTR1, D1. If it is 0, T8_OUT is 1. If it is 1, T8_OUT is 0.

When T8 is enabled, the output T8_OUT switches to the initial value (CTR1 D1). If the initial value (CTR1 D1) is 0, TC8L is loaded; otherwise, TC8H is loaded into the counter (see Figure 27). In Single-Pass Mode (CTR0 D6), T8 counts down to 0 and stops, T8_OUT toggles, the time-out status bit (CTR0 D5) is set, and a time-out interrupt can be generated if it is enabled (CTR0 D1). See Figure 28. In Modulo-N Mode, upon reaching terminal count, T8_OUT is toggled, but no interrupt is generated. Then T8 loads a new count (if the T8_OUT level now is 0), TC8L is loaded; if it is 1, TC8H is loaded. T8 counts down to 0, toggles T8_OUT, sets the time-out status bit (CTR0 D5), and generates an interrupt if enabled (CTR0 D1). See Figure 29. This completes one cycle. T8 then loads from TC8H or TC8L according to the T8_OUT level, and repeats the cycle.

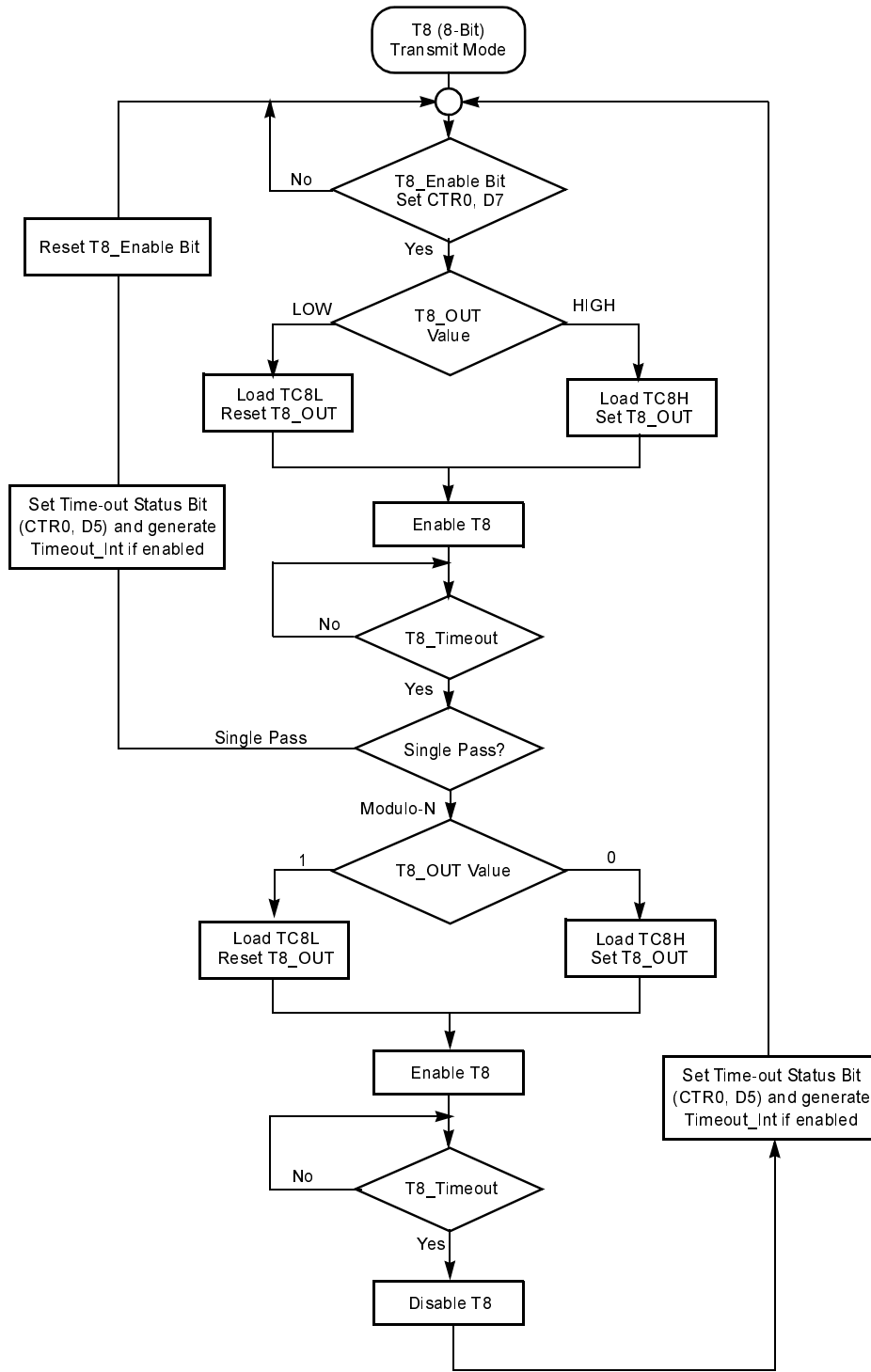


Figure 27. Transmit Mode Flowchart

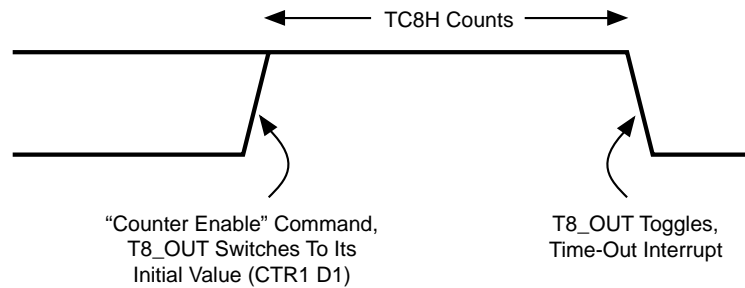


Figure 28. T8_OUT in Single-Pass Mode

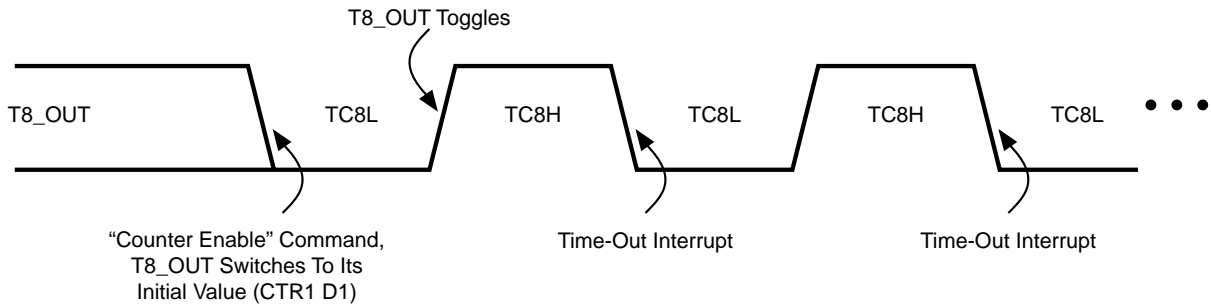


Figure 29. T8_OUT in Modulo-N Mode

You can modify the values in TC8H or TC8L at any time. The new values take effect when they are loaded. Do not write these registers at the time the values are to be loaded into the counter/timer, to ensure known operation. An initial count of 1 is not allowed (a nonfunction occurs). An initial count of 0 causes TC8 to count from 0 to FFh to FEh.

► **Note:** “h” is used for hexadecimal values.

Transition from 0 to FFh is not a time-out condition.

► **Note:** Do not use the same instructions for stopping the counter/timers and setting the status bits. Two successive commands are necessary. First, stop the counter/timers, and, second, reset the status bits. This is required because it takes one counter/timer clock interval for the initiated event to actually occur.

T8 Demodulation Mode

You need to program TC8L and TC8H to FFh. After T8 is enabled, when the first edge (rising, falling, or both depending on CTR1 D5, D4) is detected, it starts to

count down. When a subsequent edge (rising, falling, or both depending on CTR1 D5, D4) is detected during counting, the current value of T8 is one's complemented and put into one of the capture registers. If it is a positive edge, data is put into LO8; if negative edge, HI8. One of the edge-detect status bits (CTR1 D1, D0) is set, and an interrupt can be generated if enabled (CTR0 D2). Meanwhile, T8 is loaded with FFh and starts counting again. When T8 reaches 0, the time-out status bit (CTR0 D5) is set, an interrupt can be generated if enabled (CTR0 D1), and T8 continues counting from FFh (see Figure 30 and Figure 31).

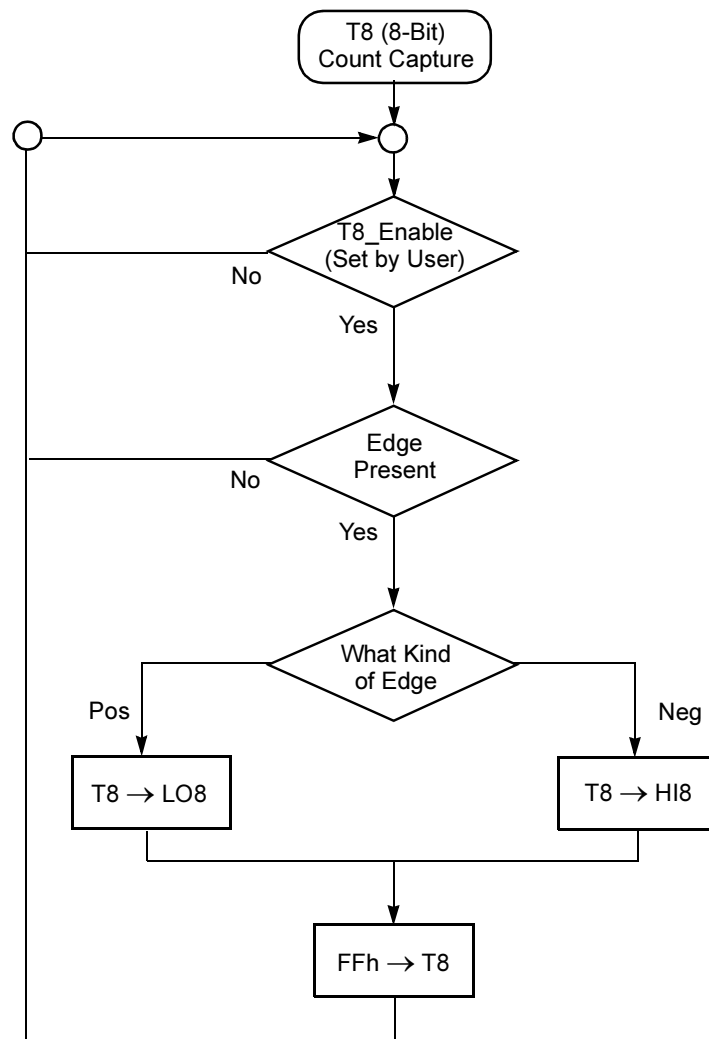


Figure 30. Demodulation Mode Count Capture Flowchart

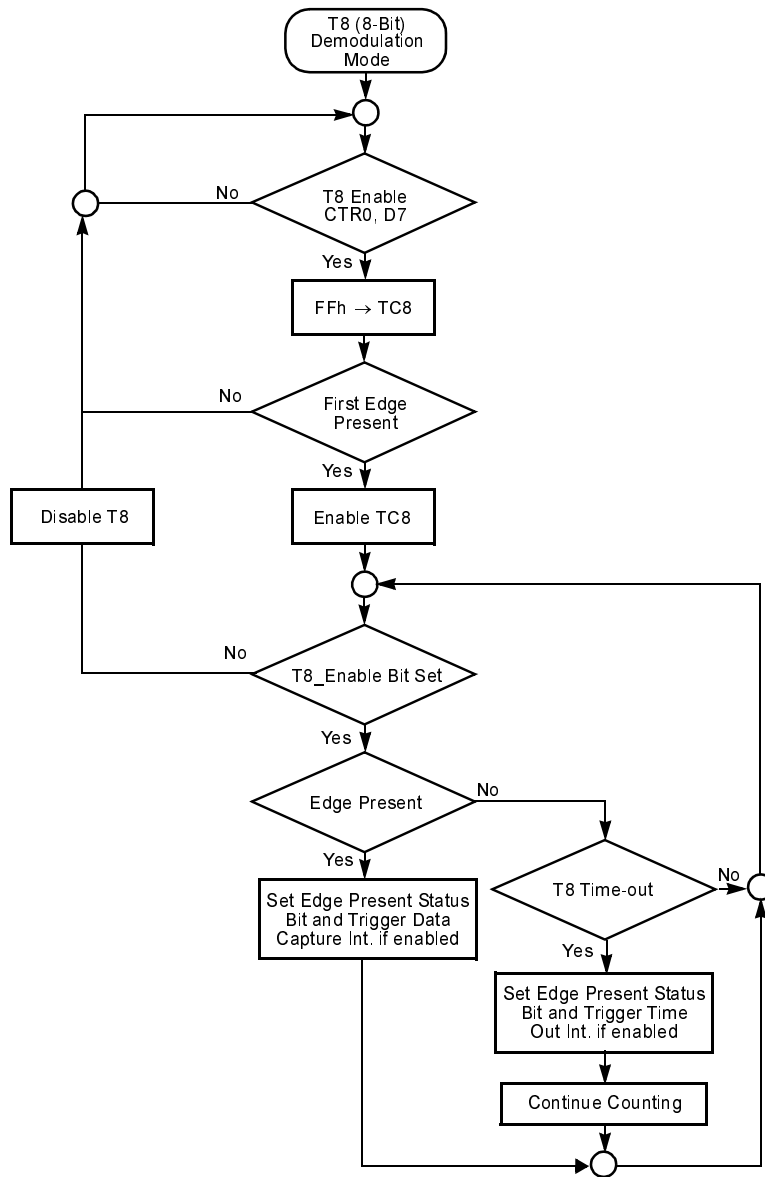


Figure 31. Demodulation Mode Flowchart

Sixteen-Bit Counter/Timer Circuits

Figure 32 shows the 16-bit counter/timer circuits.

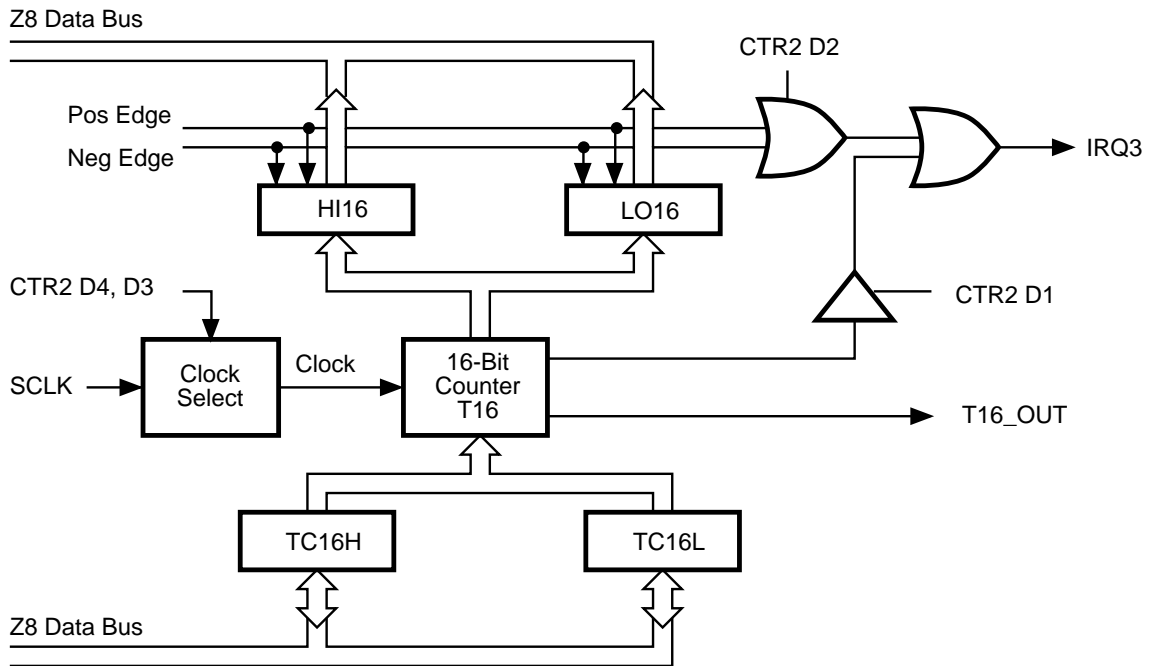


Figure 32. Sixteen-Bit Counter/Timer Circuits

T16 Transmit Mode

In Normal or Ping-Pong Mode, the output of T16, when not enabled, is dependent on CTR1, D0. If it is a 0, T16_OUT is a 1; if it is a 1, T16_OUT is 0. You can force the output of T16 to either a 0 or 1 whether it is enabled or not by programming CTR1 D3, D2 to a 10 or 11.

When T16 is enabled, TC16H * 256 + TC16L is loaded, and T16_OUT is switched to its initial value (CTR1 D0). When T16 counts down to 0, T16_OUT is toggled (in Normal or Ping-Pong Mode), an interrupt is generated if enabled (CTR2 D1), and a status bit (CTR2 D5) is set.

► **Note:** Global interrupts override this function as described in “Interrupts” on page 62.

If T16 is in Single-Pass Mode, it is stopped at this point (see Figure 33). If it is in Modulo-N Mode, it is loaded with TC16H * 256 + TC16L, and the counting continues (see Figure 34).

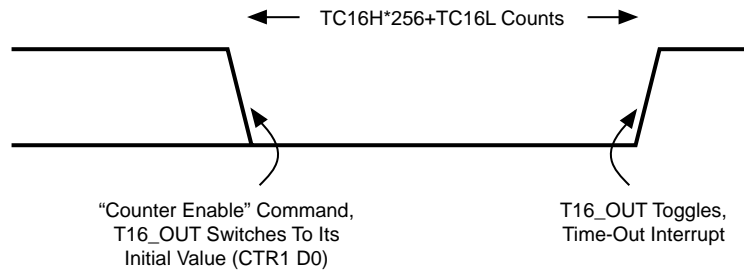


Figure 33. T16_OUT in Single-Pass Mode

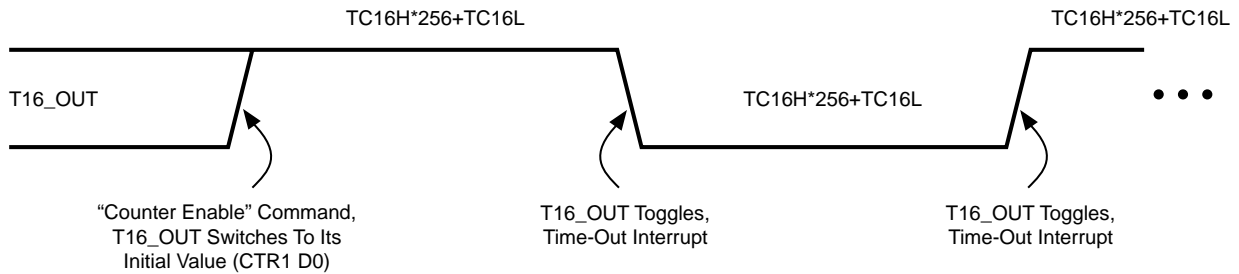


Figure 34. T16_OUT in Modulo-N Mode

You can modify the values in TC16H and TC16L at any time. The new values take effect when they are loaded. To ensure known operation, do not load these registers at the time the values are to be loaded into the counter/timer. An initial count of 1 is not allowed. An initial count of 0 causes T16 to count from 0 to FFFFh to FFFEh. Transition from 0 to FFFFh is not a time-out condition.

T16 Demodulation Mode

You need to program TC16L and TC16H to FFh. After T16 is enabled, when the first edge (rising, falling or both depending on CTR1, D5, D4) is detected, T16 captures HI16 and LO16, reloads, and begins counting.

If D6 of CTR2 Is 0

When a subsequent edge (rising, falling, or both depending on CTR1 D5, D4) is detected during counting, the current count in T16 is one's complemented and put into HI16 and LO16. When data is captured, one of the edge-detect status bits (CTR1 D1, D0) is set, and an interrupt is generated if enabled (CTR2 D2). T16 is loaded with FFFFh and starts again.

If D6 of CTR2 Is 1

T16 ignores the subsequent edges in the input signal and continues counting down. A time out of T8 causes T16 to capture its current value and generate an interrupt if enabled (CTR2, D2). In this case, T16 does not reload and continues counting. If D6 bit of CTR2 is toggled (by writing a 0 and then a 1 to it), T16 captures and reloads on the next edge (rising, falling, or both, depending on CTR1 D5, D4) but continues to ignore subsequent edges.

When T16 reaches 0, it continues counting from FFFFh. Meanwhile, a status bit (CTR2 D5) is set, and an interrupt time-out can be generated if enabled (CTR2 D1).

Ping-Pong Mode

This operation mode is only valid in transmit mode. T8 and T16 need to be programmed in Single-Pass Mode (CTR0 D6, CTR2 D6), and Ping-Pong Mode needs to be programmed in CTR1 D3, D2. You can begin the operation by enabling either T8 or T16 (CTR0 D7 or CTR2 D7). For example, if T8 is enabled, T8_OUT is set to this initial value (CTR1 D1). According to T8_OUT's level, TC8H or TC8L is loaded into T8. After the terminal count is reached, T8 is disabled and T16 is enabled. T16_OUT switches to its initial value (CTR1 D0), data from TC16H and TC16L is loaded, and T16 starts to count. After T16 reaches the terminal count, it stops, T8 is enabled again, and the whole cycle repeats. Interrupts can be allowed when T8 or T16 reaches terminal control (CTR0 D1, CTR2 D1). To stop the Ping-Pong operation, write 00 to bits D3 and D2 of CTR1. See Figure 35.

► **Note:** Enabling Ping-Pong operation while the counter/timers are running might cause intermittent counter/timer function. Disable the counter/timers and then reset the status flags before instituting this operation.

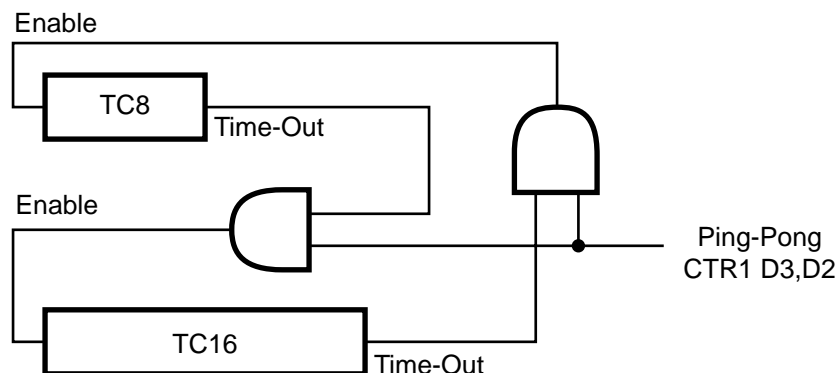


Figure 35. Ping-Pong Mode

Starting Ping-Pong Mode

First, make sure both counter/timers are not running. Then set T8 into Single-Pass Mode (CTR0 D6), set T16 into Single-Pass Mode (CTR2 D6), and set Ping-Pong Mode (CTR1 D2, D3). These instructions do not have to be in any particular order. Finally, start Ping-Pong Mode by enabling either T8 (CTR0 D7) or T16 (CTR2 D7).

During Ping-Pong Mode

The enable bits of T8 and T16 (CTR0 D7, CTR2 D7) are alternately set and cleared by hardware. The time-out bits (CTR0 D5, CTR2 D5) are set every time the counter/timers reach the terminal count.

Output Circuit

Figure 36 shows the output circuit.

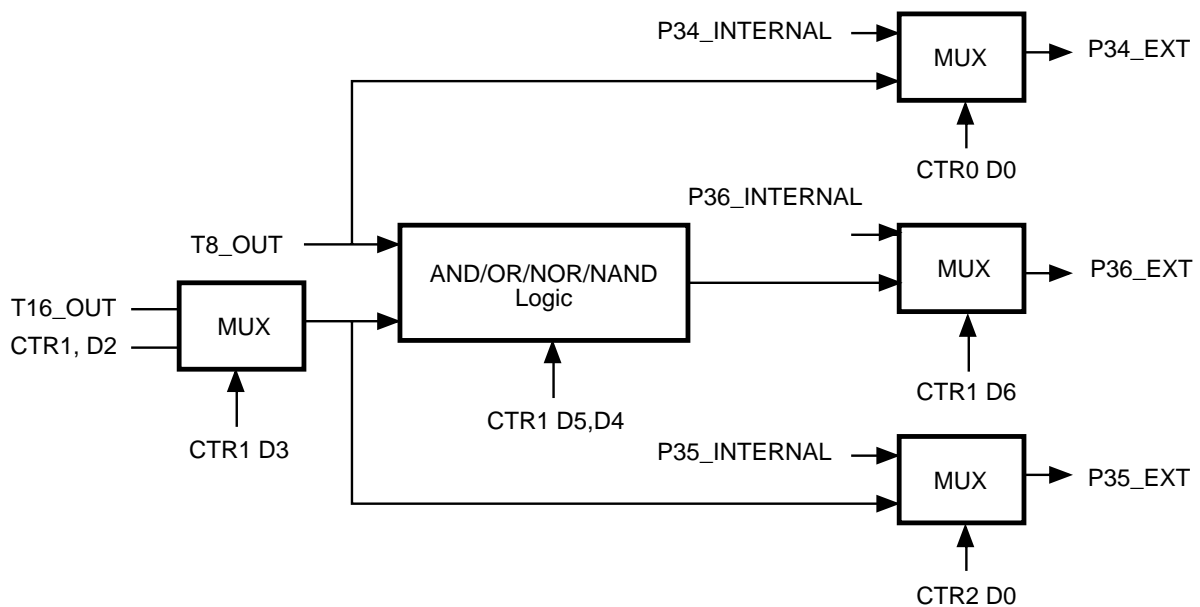


Figure 36. Output Circuit

Interrupts

The Z86E7X has five different interrupts. The interrupts are maskable and prioritized, as shown in Figure 37. The five sources are divided as follows: three sources are claimed by Port 3 lines P33–P31 and the remaining two by the counter/timers (see Table 26). The Interrupt Mask Register globally or individually enables or disables the five interrupt requests.

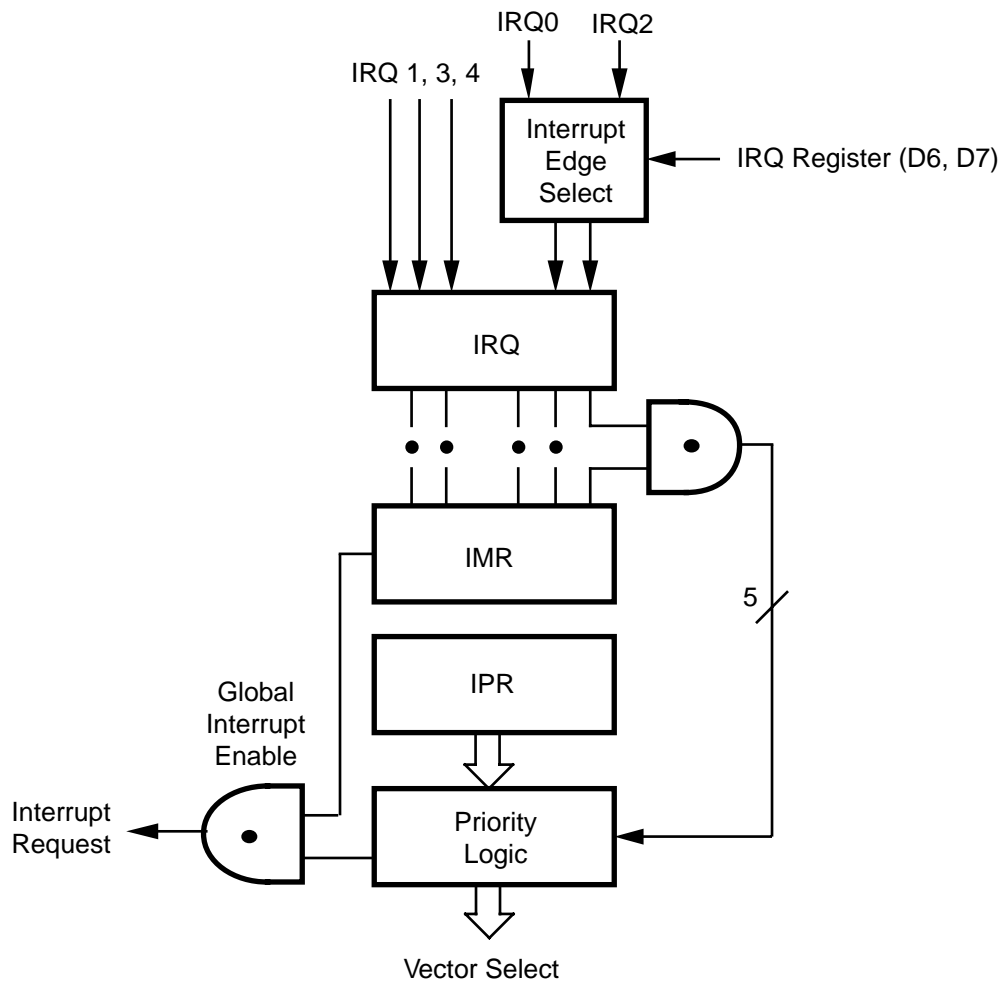


Figure 37. Interrupt Block Diagram

Table 26. Interrupt Types, Sources, and Vectors

Name	Source	Vector Location	Comments
IRQ0	/DAV0, IRQ0	0, 1	External (P32), Rising Falling Edge Triggered
IRQ1	IRQ1	2, 3	External (P33), Falling Edge Triggered
IRQ2	/DAV2, IRQ2, T _{IN}	4,5	External (P31), Rising Falling Edge Triggered
IRQ3	T16	6, 7	Internal
IRQ4	T8	8, 9	Internal



When more than one interrupt is pending, priorities are resolved by a programmable priority encoder controlled by the Interrupt Priority register. An interrupt machine cycle is activated when an interrupt request is granted. This disables all subsequent interrupts, saves the Program Counter and Status Flags, and then branches to the program memory vector location reserved for that interrupt. All Z86E7X interrupts are vectored through locations in the program memory. This memory location and the next byte contain the 16-bit address of the interrupt service routine for that particular interrupt request. To accommodate polled interrupt systems, interrupt inputs are masked and the Interrupt Request register is polled to determine which of the interrupt requests need service.

An interrupt resulting from AN1 is mapped into IRQ2, and an interrupt from AN2 is mapped into IRQ0. Interrupts IRQ2 and IRQ0 can be rising, falling, or both edge triggered and are programmable by the user. The software can poll to identify the state of the pin.

Programming bits for the Interrupt Edge Select are located in the IRQ Register (R250), bits D7 and D6. The configuration is indicated in Table 27.

Table 27. IRQ Register

IRQ		Interrupt Edge	
D7	D6	IRQ2 (P31)	IRQ0 (P32)
0	0	F	F
0	1	F	R
1	0	F	F
1	1	R/F	R/F

Notes:

F = Falling Edge

R = Rising Edge

In analog mode, the Stop-Mode Recovery sources selected by the SMR register are connected to the IRQ1 input. Any of the Stop-Mode Recovery sources for SMR (except P31, P32, and P33) can be used to generate IRQ1 (falling edge triggered).

Clock

The Z86E7X on-chip oscillator has a high-gain, parallel-resonant amplifier for connection to a crystal, LC, ceramic resonator, or any suitable external clock source (XTAL1 = Input, XTAL2 = Output). The crystal must be AT cut, 1 MHz to 8 MHz maximum, with a series resistance (RS) less than or equal to 100 Ohms. The Z86E7X on-chip oscillator can be driven with a cost-effective RC network or other suitable external clock source.

The crystal must be connected across XTAL1 and XTAL2 using the recommended capacitors (capacitance greater than or equal to 22 pF) from each pin to ground. The RC oscillator configuration is an external resistor connected from XTAL1 to XTAL2, with a frequency-setting capacitor from XTAL1 to ground (see Figure 38).

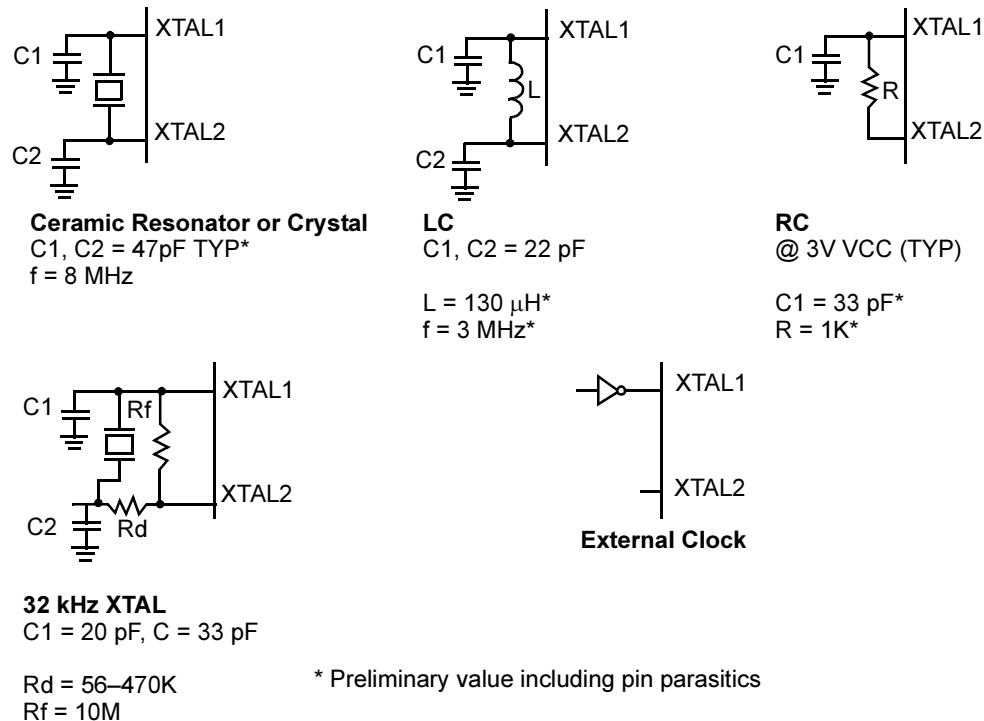


Figure 38. Oscillator Configuration

Power-On Reset (POR)

A timer circuit clocked by a dedicated on-board RC oscillator is used for the Power-On Reset (POR) timer function. The POR time allows VCC and the oscillator circuit to stabilize before instruction execution begins.

The POR timer circuit is a one-shot timer triggered by one of three conditions:

- Power Fail to Power OK status.
- Stop-Mode Recovery (if D5 of SMR = 1).
- WDT Time-Out.

The POR time is a nominal 5 ms. Bit 5 of the Stop-Mode Register determines whether the POR timer is bypassed after Stop-Mode Recovery (typical for external clock, RC, and LC oscillators).



HALT

HALT turns off the internal CPU clock, but not the XTAL oscillation. The counter/timers and external interrupts IRQ0, IRQ1, IRQ2, IRQ3, and IRQ4 remain active. The devices are recovered by interrupts, either externally or internally generated. An interrupt request must be executed (enabled) to exit HALT Mode. After the interrupt service routine, the program continues from the instruction after the HALT.

STOP

This instruction turns off the internal clock and external crystal oscillation and reduces the standby current to 10 μ A (typical) or less. STOP Mode is terminated only by a reset, such as WDT time-out, POR, SMR, or external reset. This causes the processor to restart the application program at address 000CH. To enter STOP (or HALT) mode, you need to first flush the instruction pipeline to avoid suspending execution in mid-instruction. To do this, you must execute a NOP (op code = FFH) immediately before the appropriate sleep instruction. For example:

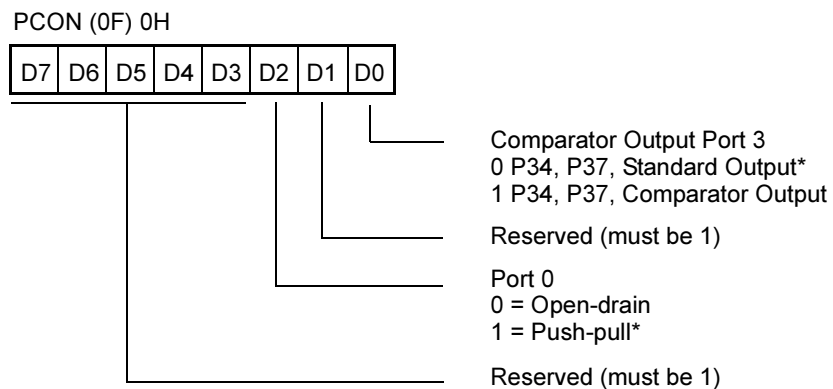
```
FF      NOP      ; clear the pipeline
6F      STOP     ; enter STOP Mode
```

or

```
FF      NOP      ; clear the pipeline
7F      HALT     ; enter HALT Mode
```

Port Configuration Register (PCON)

The PCON register (Figure 39) configures the comparator output on Port 3. It is located in the expanded register file at Bank F, location 00.



*Default setting after reset

Figure 39. Port Configuration Register (PCON)—Write Only



Comparator Output Port 3 (D0)

Bit 0 controls the comparator used in Port 3. A 1 in this location brings the comparator outputs to P34 and P37, and a 0 releases the port to its standard I/O configuration.

Port 0 Output Mode (D2)

Bit 2 controls the output mode of Port 0. A 1 in this location sets the output to push-pull, and a 0 sets the output to open-drain.

Stop-Mode Recovery Register (SMR)

This register selects the clock divide value and determines the mode of Stop-Mode Recovery (Figure 40). All bits are write only except bit 7, which is read only. Bit 7 is a flag bit that is hardware set on the condition of STOP recovery and reset by a power-on cycle. Bit 6 controls whether a low level or a high level is required from the recovery source. Bit 5 controls the reset delay after recovery. Bits D2, D3, and D4 of the SMR register specify the source of the Stop-Mode Recovery signal. Bit D0 determines if SCLK/TCLK are divided by 16 or not. The SMR is located in Bank F of the Expanded Register Group at address 0BH.

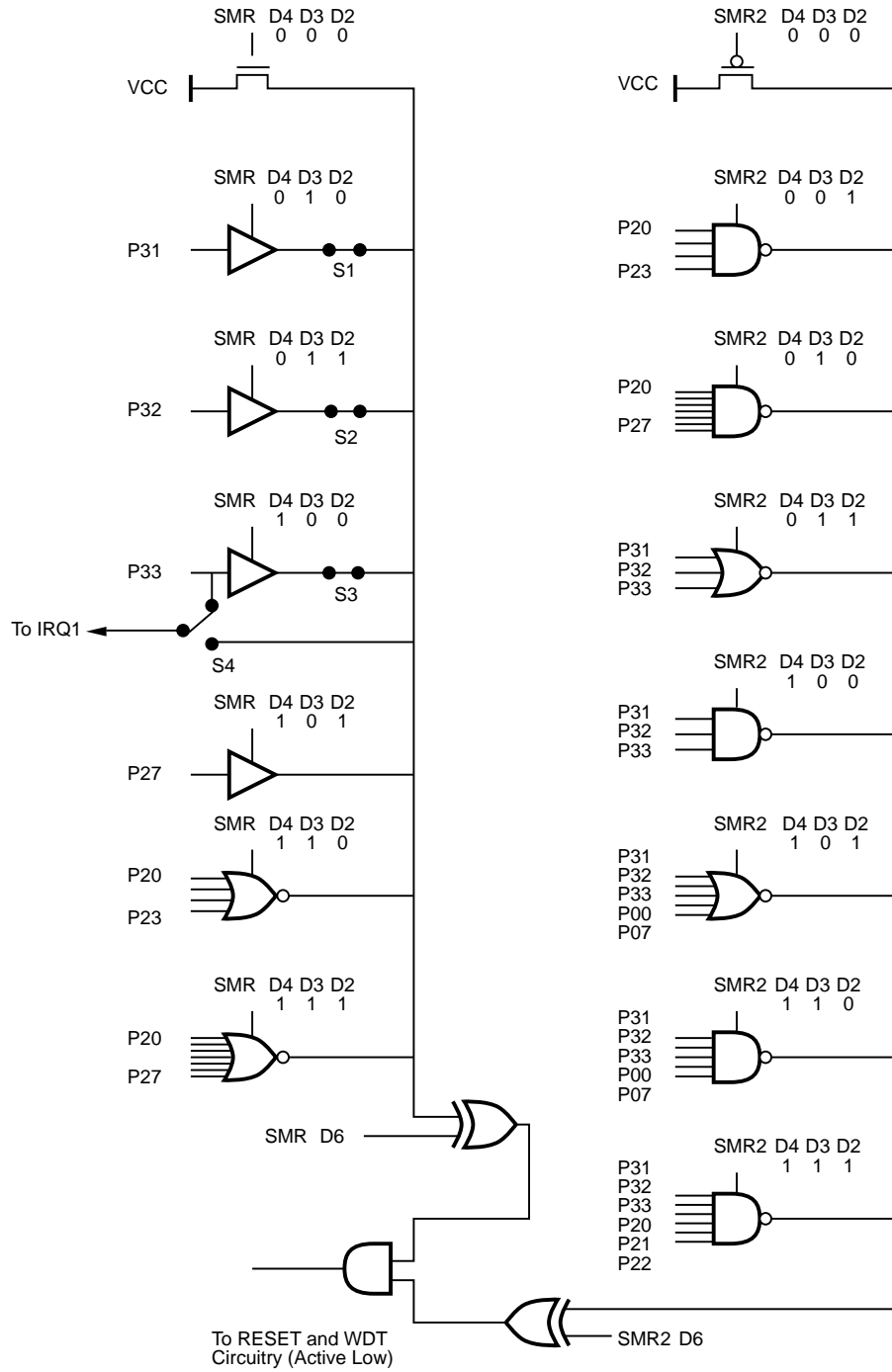


Figure 40. Stop-Mode Recovery Register

SCLK/TCLK Divide-by-16 Select (D0)

D0 of the SMR controls a Divide-by-16 prescaler of SCLK/TCLK (Figure 41). The purpose of this control is to selectively reduce device power consumption during normal processor execution (SCLK control) and/or HALT Mode (where TCLK sources interrupt logic). After Stop-Mode Recovery, this bit is set to a 0.

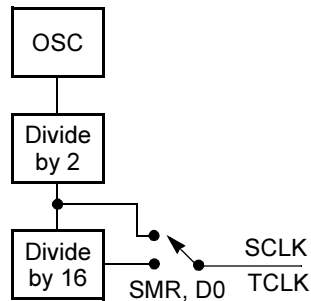


Figure 41. SCLK Circuit

Stop-Mode Recovery Source (D2, D3, and D4)

These three bits of the SMR specify the wake-up source of the STOP recovery (Figure 40 on page 68 and Table 28).

Table 28. Stop-Mode Recovery Source

SMR:432			Operation
D4	D3	D2	Description of Action
0	0	0	POR and/or external reset recovery
0	0	1	Reserved
0	1	0	P31 transition
0	1	1	P32 transition
1	0	0	P33 transition
1	0	1	P27 transition
1	1	0	Logical NOR of P20 through P23
1	1	1	Logical NOR of P20 through P27

► **Note:** Any Port 2 bit defined as an output drives the corresponding input to the default state to allow the remaining inputs to control the AND/OR function. Refer to “Stop-Mode Recovery Register 2 (SMR2)” on page 71 for other recovery sources.



Stop-Mode Recovery Delay Select (D5)

This bit, if low, disables the 5 ms /RESET delay after Stop-Mode Recovery. The default configuration of this bit is one. If the “fast” wake up is selected, the Stop-Mode Recovery source needs to be kept active for at least 5TpC.

Stop-Mode Recovery Edge Select (D6)

A 1 in this bit position indicates that a High level on any one of the recovery sources wakes the Z86E7X from STOP Mode. A 0 indicates Low level recovery. The default is 0 on POR.

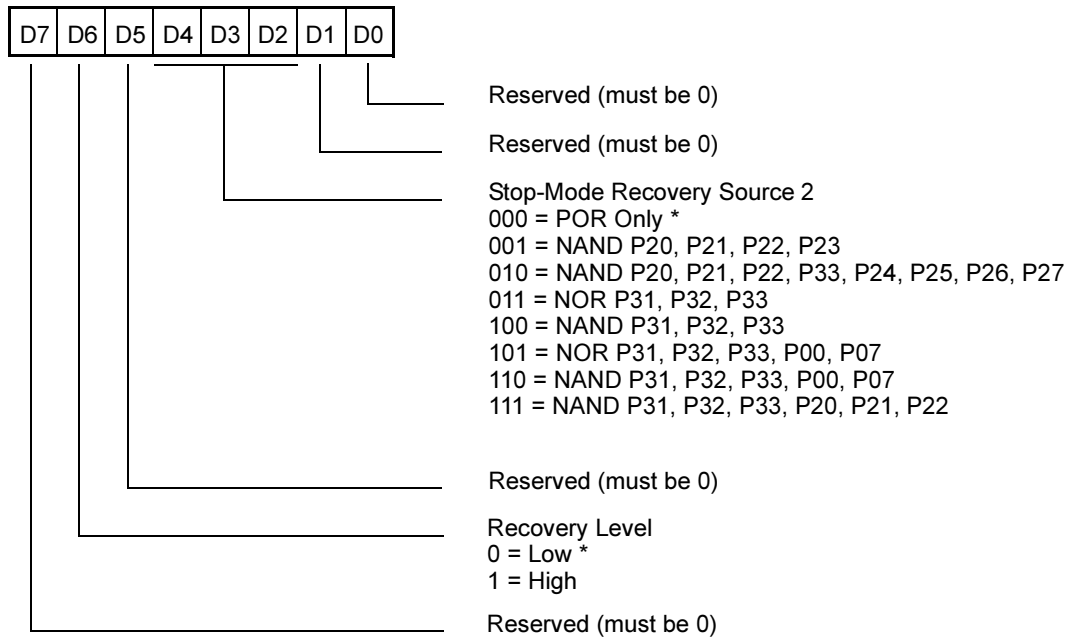
Cold or Warm Start (D7)

This bit is set by the device upon entering STOP Mode. It is a read-only Flag bit. A 1 in D7 (warm) indicates that the device awakes from a SMR source or a WDT while in STOP Mode. A 0 in this bit (cold) indicates that the device is reset by a POR or WDT while not in STOP Mode.

Stop-Mode Recovery Register 2 (SMR2)

This register (see Figure 42) determines the mode of STOP Mode recovery for SMR2.

SMR2 (0F) DH



* Default setting after reset

Note: If used in conjunction with SMR, either of the two specified events causes a Stop-Mode Recovery.

Figure 42. Stop-Mode Recovery Register 2—(0F) DH: D2–D4, D6 Write Only

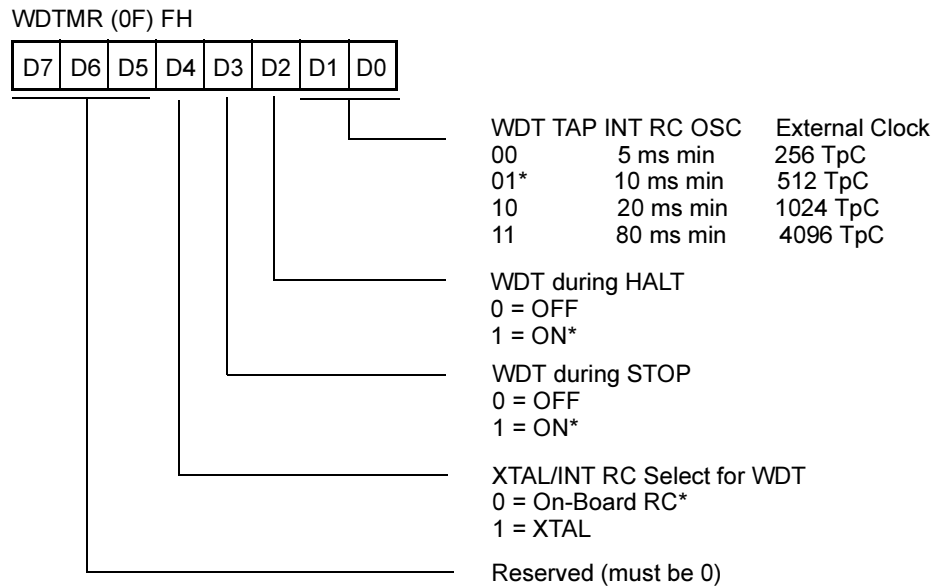
If SMR2 is used in conjunction with SMR, either of the specified events causes a Stop-Mode Recovery.

► **Note:** Port pins configured as outputs are ignored as a SMR or SMR2 recovery source. For example, if the NAND of P23–P20 is selected as the recovery source and P20 is configured as an output, the remaining SMR pins (P23–P21) form the NAND equation.

Watch-Dog Timer Mode Register (WDTMR)

The WDT is a retriggerable one-shot timer that resets the Z8 if it reaches its terminal count. The WDT must initially be enabled by executing the WDT instruction and refreshed on subsequent executions of the WDT instruction. The WDT circuit is driven by an on-board RC oscillator or external oscillator from the XTAL1 pin. The WDT instruction affects the Zero (Z), Sign (S), and Overflow (V) flags.

The POR clock source is selected with bit 4 of the WDT register. Bit 0 and 1 control a tap circuit that determines the time-out period. Bit 2 determines whether the WDT is active during HALT, and Bit 3 determines WDT activity during STOP. Bits 5 through 7 are reserved. See Figure 43.



* Default setting after reset

Figure 43. Watch-Dog Timer Mode Register—Write Only

This register is accessible only during the first 60 processor cycles (SCLK) from the execution of the first instruction after Power-On-Reset, Watch-Dog Reset, or a Stop-Mode Recovery (Figure 40 on page 68). After this point, the register cannot be modified by any means, intentional or otherwise. The WDTMR cannot be read and is located in Bank F of the Expanded Register Group at address location 0FH. It is organized as shown in Figure 43.

WDT Time Select (D0, D1)

This bit selects the WDT time period. It is configured as shown in Table 29.

Table 29. WDT Time Select

D1	D0	Time-Out of Internal RC OSC	Time-Out of XTAL Clock
0	0	5 ms min	256 TpC
0	1	10 ms min	512 TpC
1	0	20 ms min	1024 TpC
1	1	80 ms min	4096 TpC

Notes:

TpC = XTAL clock cycle

The default on reset is 10 ms.

WDTMR During HALT (D2)

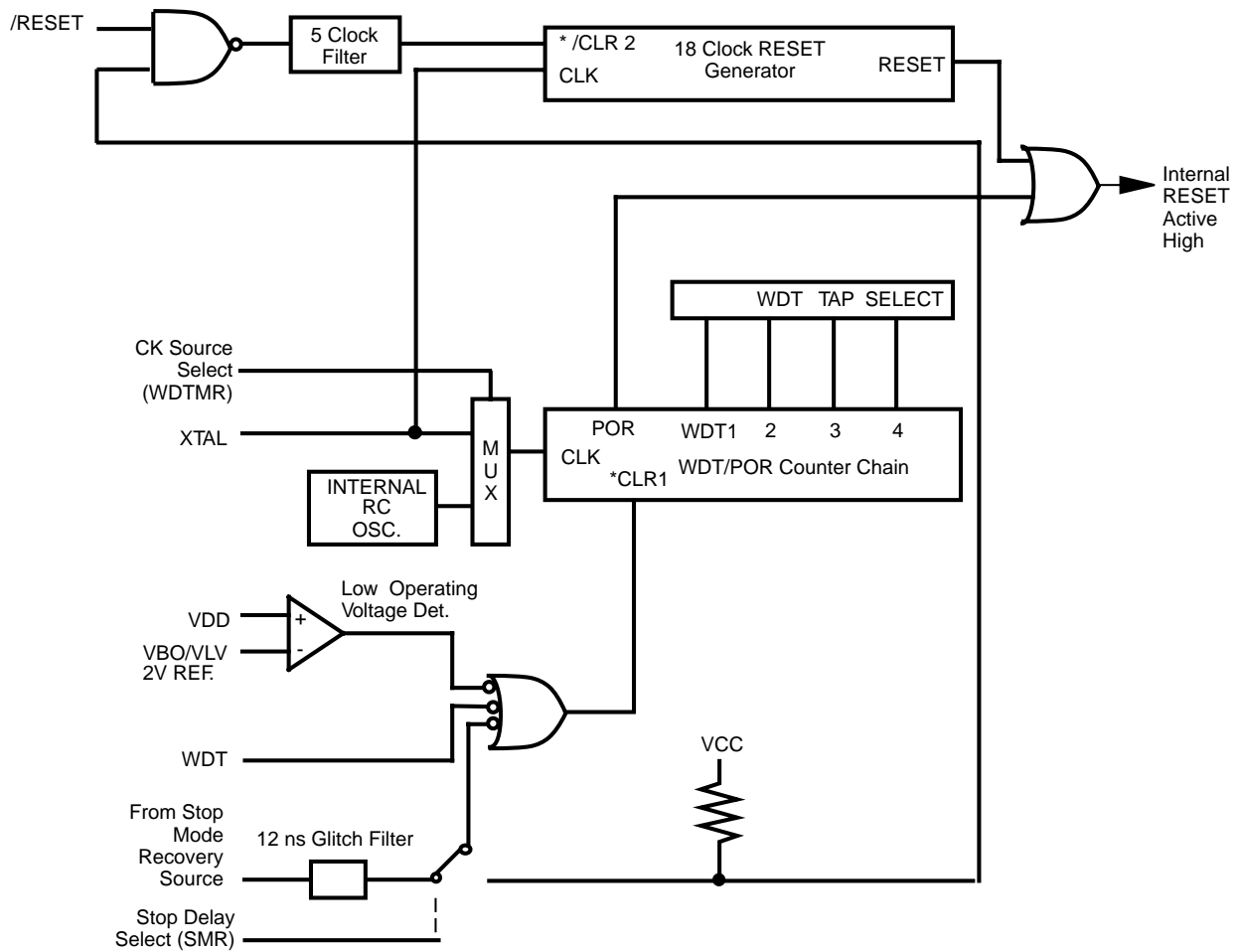
This bit determines whether or not the WDT is active during HALT Mode. A 1 indicates active during HALT. The default is 1.

WDTMR During STOP (D3)

This bit determines whether or not the WDT is active during STOP Mode. Since the XTAL clock is stopped during STOP Mode, the on-board RC has to be selected as the clock source to the WDT/POR counter. A 1 indicates active during STOP. The default is 1.

Clock Source for WDT (D4)

This bit determines which oscillator source is used to clock the internal POR and WDT counter chain. If the bit is a 1, the internal RC oscillator is bypassed, and the POR and WDT clock source is driven from the external pin, XTAL1. The default configuration of this bit is 0, which selects the RC oscillator. See Figure 44.



* /CLR1 and /CLR2 enable the WDT/POR and 18 Clock Reset timers upon a Low to High input translation.

Figure 44. Resets and WDT

Low-Voltage Protection

An on-board Voltage Comparator checks that V_{CC} is at the required level to ensure correct operation of the device. Reset is globally driven if V_{CC} is below V_{LV} (Low Voltage). The minimum operating voltage varies with the temperature and operating frequency, while V_{LV} varies with temperature only.

- **Note:** The LVD flag will be valid after enabling the detection for 20 μ S (design estimation, not tested in production). LVD does not work at STOP mode. It must be disabled during STOP mode in order to reduce current.

Software-Selectable Options

There are four Software-Selectable Options to choose from based on the ROM-based parts mask options. Register (F0) EH OTP byte is where these options are controlled. These options are listed in Table 30.

Table 30. Software-Selectable Options

Bit Name	Reg(0F)EH
Port 0 Pull-ups (lower nibble)	On/Off
Port 0 Pull-ups (upper nibble)	On/Off
Port 2 Pull-ups	On/Off
Mouse/Normal	M/N

- **Note:** The RC oscillator Xtal1/2 option is invoked during OTP programming as a user-selectable item.

Low-Voltage Detection

The device functions normally above 3.0 V under all conditions. The minimum functionality point below 3 V is to be defined. The V_{LV} is a function of temperature and process parameters. The device is forced into reset when V_{CC} drops below the V_{LV} voltage level.



EPROM Programming

Table 31 describes the programming and test modes.

Table 31. Programming and Test Modes

User/Test Mode Device Pin # User Modes	Device Pins						Port 1 CNFG DATA	Test ADDR A0–A3	Note	
	P33 V _{PP}	P32 EPM	Pref1 /CE	P31 /OE	P20 /PGM	Addr				V _{CC}
EPROM Read	V _{CC}	V _H	V _{IL}	V _{IL}	V _{IH}	Addr	3.0 V	Out	XX	
Program	V _{PP}	V _{CC}	V _{IL}	V _{IH}	V _{IL}	Addr	6.0 V	In	XX	
Program Verify	V _{PP}	V _{CC}	V _{IL}	V _{IL}	V _{IH}	Addr	6.0 V	Out	XX	
RC Option	V _{PP}	V _{CC}	V _H	V _{IH}	V _{IL}	XX	6.0 V	XX	XX	
Margin Read	V _{VA}	V _H	V _{IL}	V _H	V _{IH}	Addr	6.0 V	Out	00	1
Shadow Row Rd	V _{CC}	V _H	V _{IL}	V _{IL}	V _{IH}	COL	3.0 V	Out	01	1
Shadow Row Prg	V _{PP}	V _H	V _{IL}	V _{IH}	V _{IL}	COL	6.0 V	In	01	1
Shadow Row Ver	V _{PP}	V _H	V _{IL}	V _{IL}	V _{IH}	COL	6.0 V	Out	01	1
Shadow Col Rd	V _{CC}	V _H	V _{IL}	V _{IL}	V _{IH}	ROW	3.0 V	Out	02	1
Shadow Col Prg	V _{PP}	V _H	V _{IL}	V _{IH}	V _{IL}	ROW	6.0 V	In	03	1
Shadow Col Ver	V _{PP}	V _H	V _{IL}	V _{IL}	V _{IH}	ROW	6.0 V	Out	02	1
Page Prg 2 Byte	V _{PP}	V _H	V _{IL}	V _{IH}	V _{IL}	TBD	6.0 V	In	04	1
Page Prg 4 Byte	V _{PP}	V _H	V _{IL}	V _{IH}	V _{IL}	TBD	6.0 V	In	05	1
Page Prg 8 Byte	V _{PP}	V _H	V _{IL}	V _{IH}	V _{IL}	TBD	6.0 V	In	06	1
Page Prg 16 Byte	V _{PP}	V _H	V _{IL}	V _{IH}	V _{IL}	TBD	6.0 V	In	07	1

Notes:

- All test modes are entered by first setting up the corresponding test address and then latching the address by bringing the /OE to V_H and then to V_{IL}, except for the margin read which requires /OE to be kept at V_H.

V_{VA} = Variable from V_{CC} to V_{PP}

V_{PP} = 12.5 V ± 0.5 V

V_H = 12.5 V ± 0.5 V

V_{IH} = 3 V

V_{IL} = 0 V

XX = Irrelevant

I_{PP} during programming = 40 mA maximum

I_{CC} during programming, verify, or read = 40 mA maximum.



Table 32 lists the timing of the programming waveform.

Table 32. Timing of Programming Waveform

Parameters	Name	Min	Max	Units
1	Address Setup Time	2		μs
2	Data Setup Time	2		μs
3	V _{PP} Setup Time	2		μs
4	V _{CC} Setup Time	2		μs
5	Chip Enable Setup Time	2		μs
6	Program Pulse Width	0.95		μs
7	Data Hold Time	2		μs
8	/OE Setup Time	2		μs
9	Data Access Time		200	ns
10	Data Output Float Time		100	ns
11	Overprogram Pulse Width	2.85		ms
12	EPM Setup Time	2		μs
13	/PGM Setup Time	2		μs
14	Address to /OE Setup Time	2		μs
15	Option Program Pulse Width	78		ms

Figure 45 shows the EPROM read timing diagram. Figure 46 on page 79 shows the EPROM program and verify timing diagram. Figure 47 on page 80 shows the programming EPROM, RAM protect, and 16K size selection timing diagram.

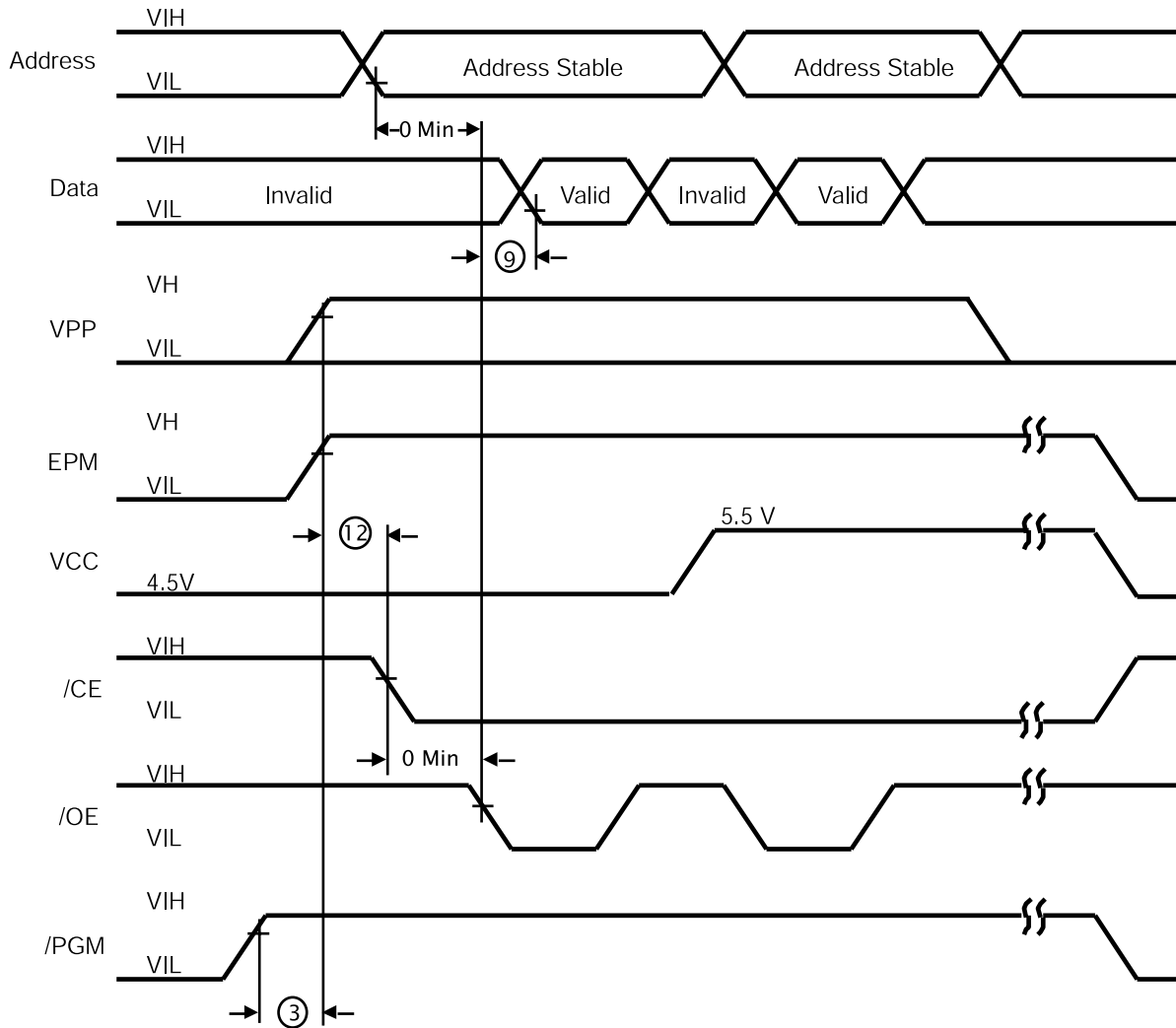


Figure 45. EPROM Read

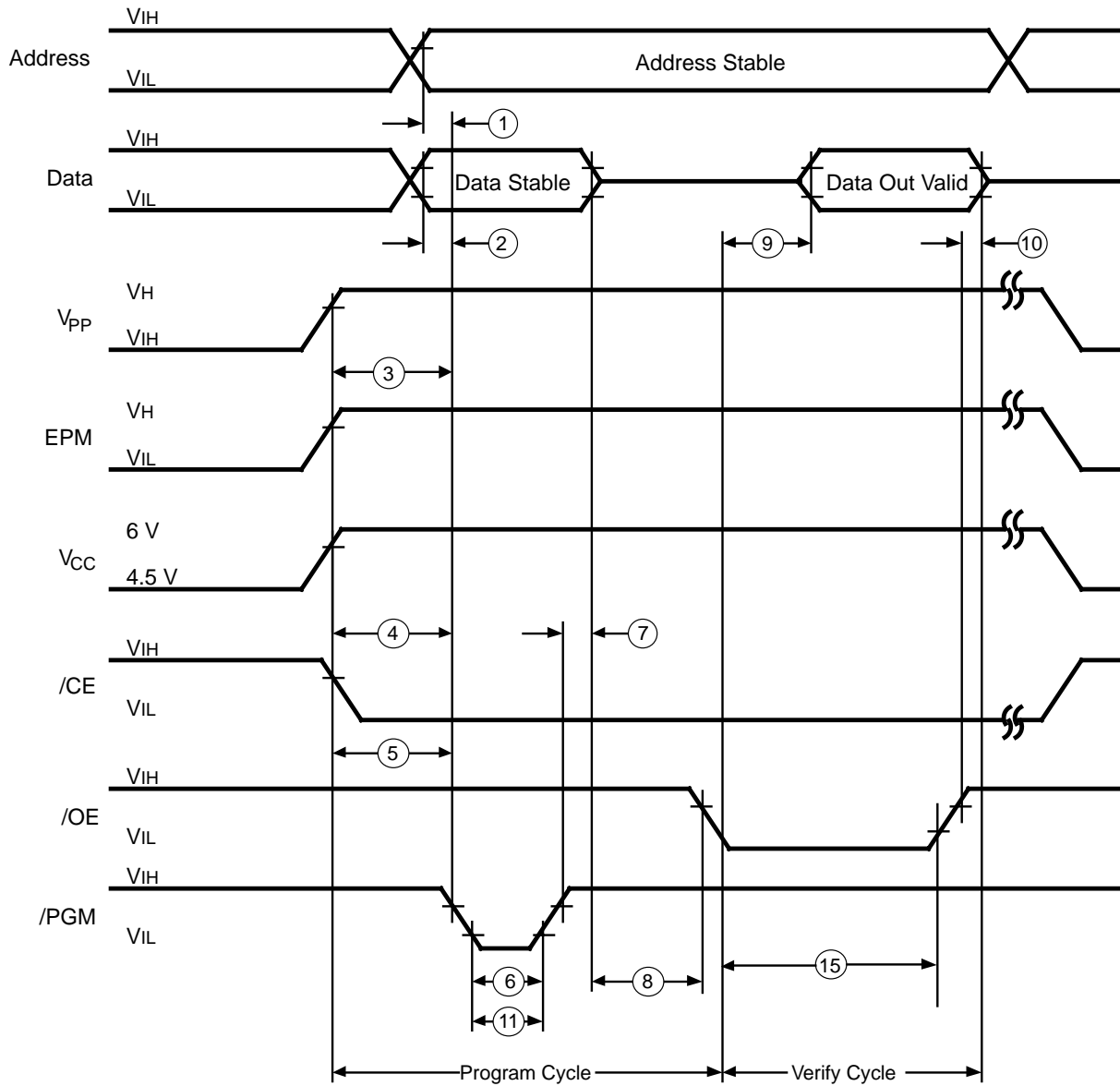


Figure 46. EPROM Program and Verify

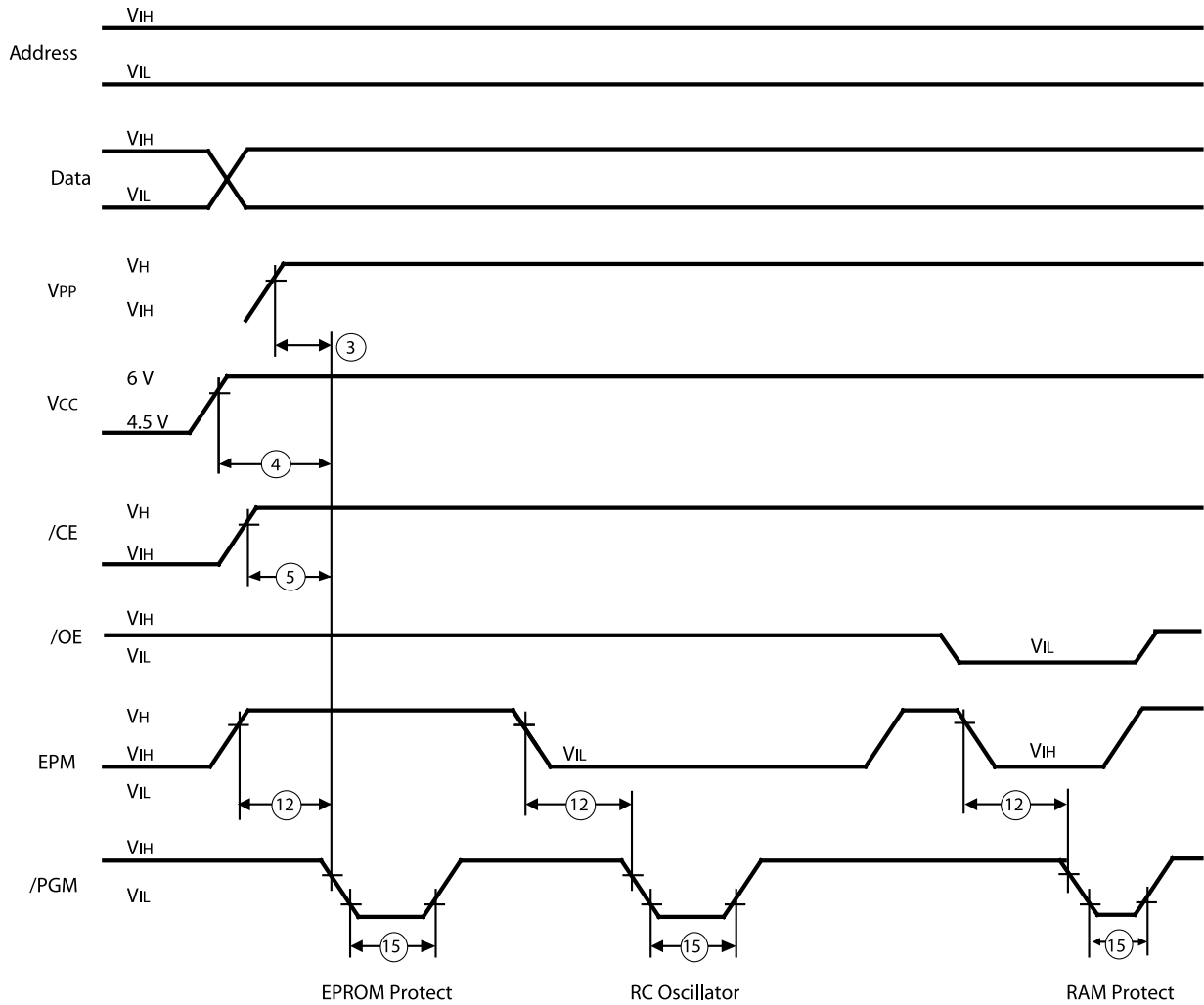


Figure 47. Programming EPROM, RAM Protect, and 16K Size Selection

Figure 48 shows the programming flowchart.

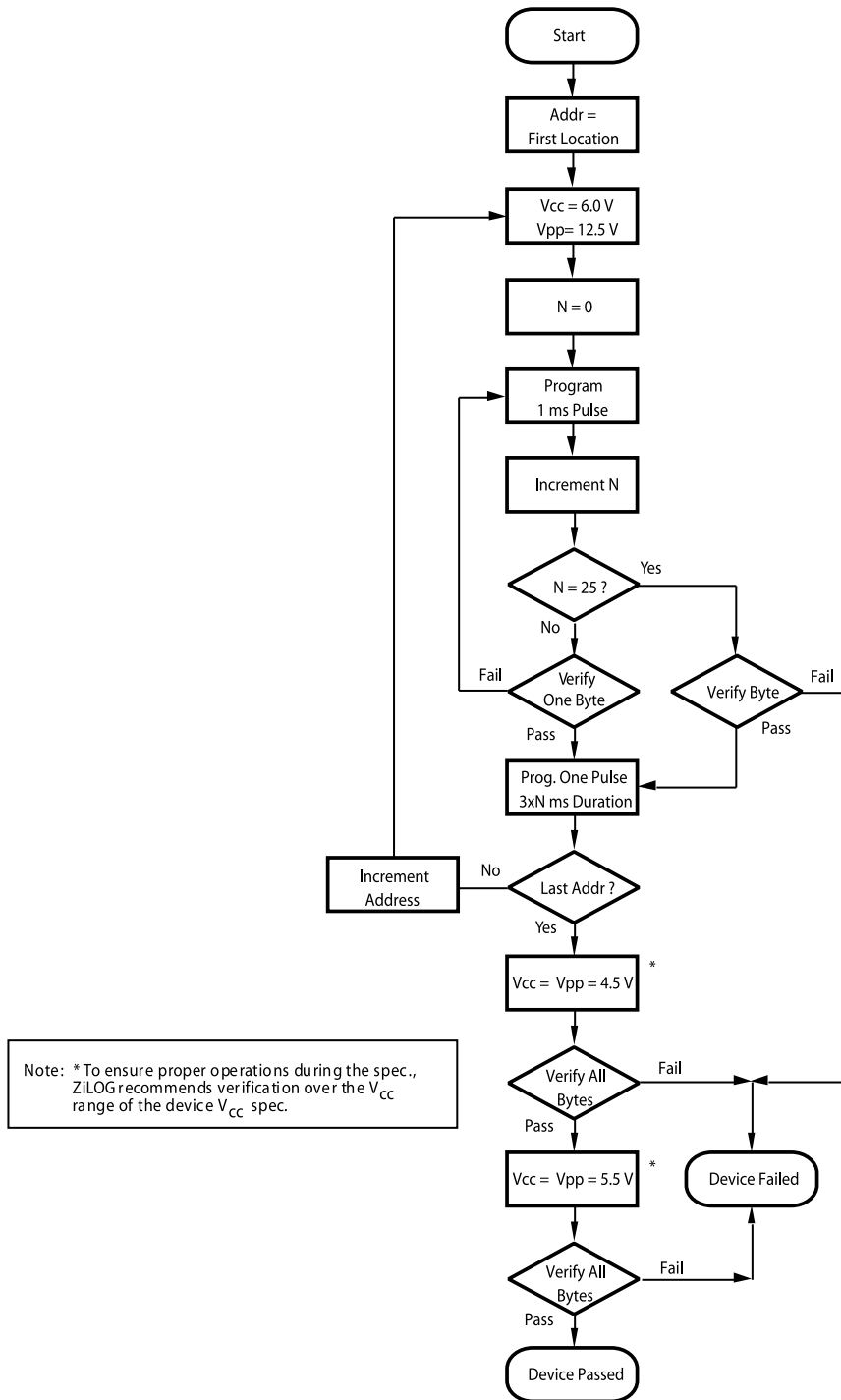


Figure 48. Programming Flowchart

Expanded Register File Control Registers (0D)

Figure 49 through Figure 51 show the expanded register file control registers (0D).

CTR0 (0D) 0H

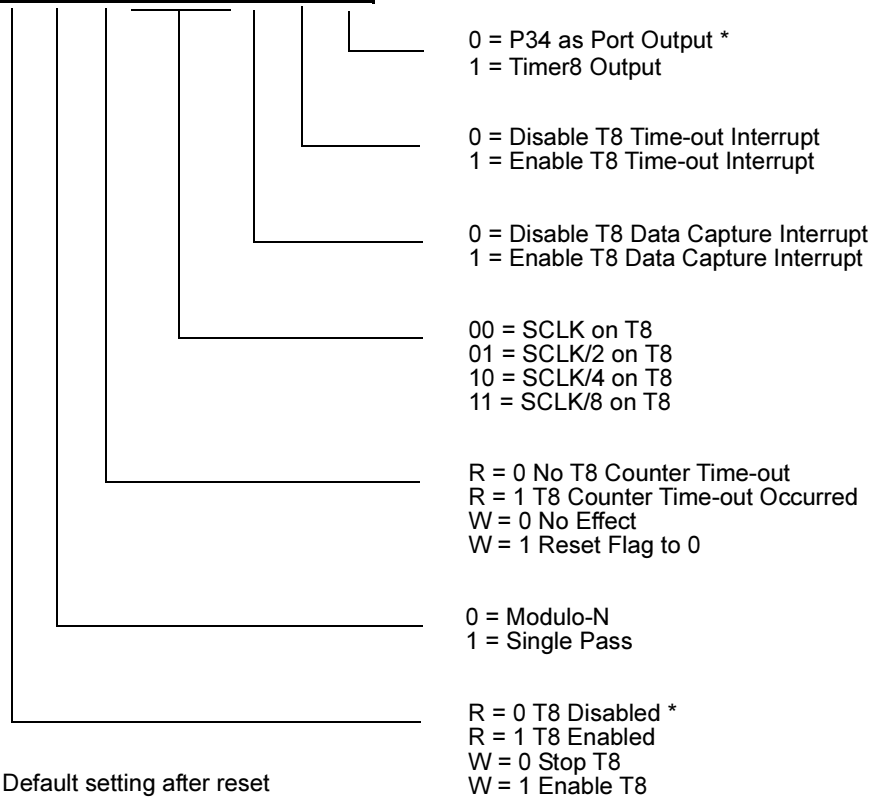
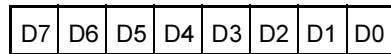
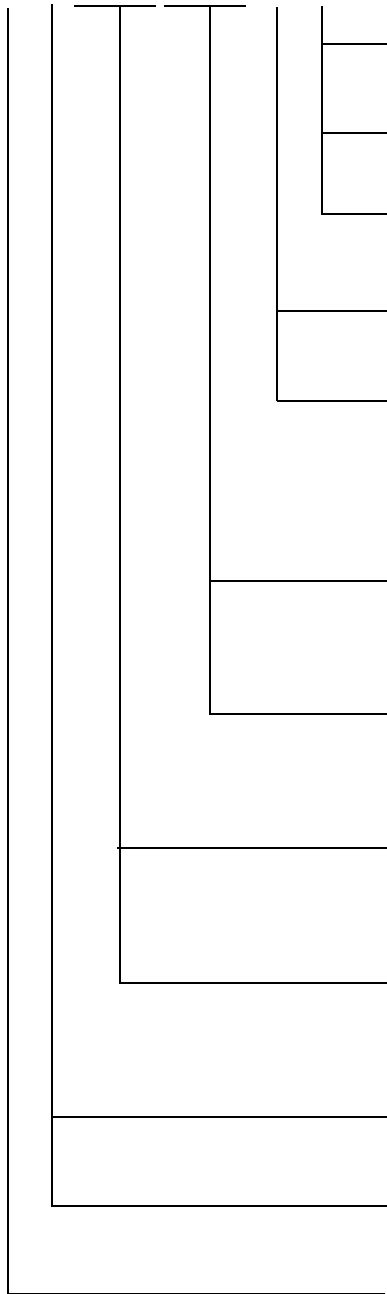


Figure 49. TC8 Control Register—(0D) 0H: Read/Write Except Where Noted



CTR1 (0D) 1H

D7	D6	D5	D4	D3	D2	D1	D0
----	----	----	----	----	----	----	----



Transmit Mode
R/W 0 T16_OUT is 0 initially
1 T16_OUT is 1 initially

Demodulation Mode
R 0 = No Falling Edge Detection
R 1 = Falling Edge Detection

W 0 = No Effect
W 1 = Reset Flag to 0

Transmit Mode
R/W 0 = T8_OUT is 0 initially
R/W 1 = T8_OUT is 1 initially

Demodulation Mode
R 0 = No Rising Edge Detection
R 1 = Rising Edge Detection

W 0 = No Effect
W 1 = Reset flag to 0

Transmit Mode
0 0 = Normal Operation
0 1 = Ping-Pong Mode
1 0 T16_OUT = 0
1 1 T16_OUT = 1

Demodulation Mode
0 0 = No Filter
0 1 = 4 SCLK Cycle Filter
1 0 = 8 SCLK Cycle Filter
1 1 = Reserved

Transmit Mode/T8/T16 Logic
0 0 = AND
0 1 = OR
1 0 = NOR
1 1 = NAND

Demodulation Mode
0 0 = Falling Edge Detection
0 1 = Rising Edge Detection
1 0 = Both Edge Detection
1 1 = Reserved

Transmit Mode
0 = P36 as Port Output *
1 = P36 as T8/T16_OUT

Demodulation Mode
0 = P31 as Demodulator Input
1 = P20 as Demodulator Input

Transmit/Demodulation Modes
0 = Transmit Mode *
1 = Demodulation Mode

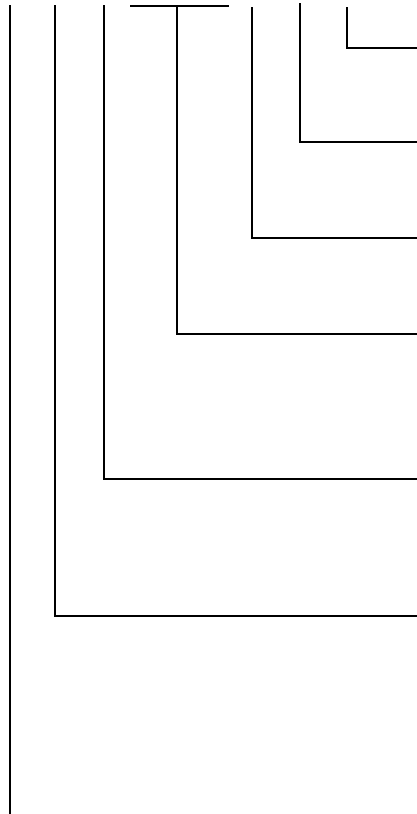
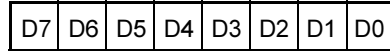
Note: Care must be taken in differentiating transmit mode from demodulation mode. Depending on which of these two modes is operating, the CTR1 bit has different functions.

Note: Changing from one mode to another cannot be done without disabling the counter/timers.

* Default setting after reset

Figure 50. T8 and T16 Common Control Functions—(0D) 1H: Read/Write

CTR2 (0D) 02H



0 = P35 is Port Output *
1 = P35 is TC16 Output

0 = Disable T16 Time-out Interrupt
1 = Enable T16 Time-out Interrupt

0 = Disable T16 Data Capture Interrupt
1 = Enable T16 Data Capture Interrupt

00 = SCLK on T16
01 = SCLK/2 on T16
10 = SCLK/4 on T16
11 = SCLK/8 on T16

R = 0 No T16 Time-out
R = 1 T16 Time-out Occurs
W = 0 No Effect
W = 1 Reset Flag to 0

Transmit Mode
0 = Modulo-N for T16
1 = Single Pass for T16

Demodulator Mode
0 = T16 Recognizes Edge
1 = T16 Does Not Recognize Edge

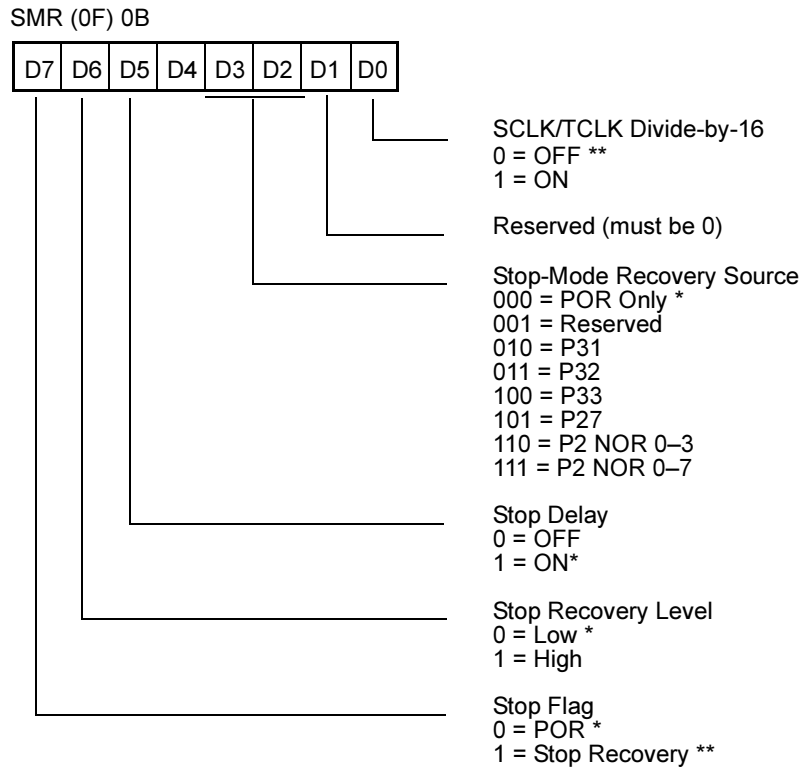
R = 0 T16 Disabled *
R = 1 T16 Enabled
W = 0 Stop T16
W = 1 Enable T16

* Default setting after reset

Figure 51. T16 Control Register—(0D) 2H: Read/Write Except Where Noted

Expanded Register File Control Registers (0F)

Figure 52 through Figure 57 show the expanded register file control registers (0F).

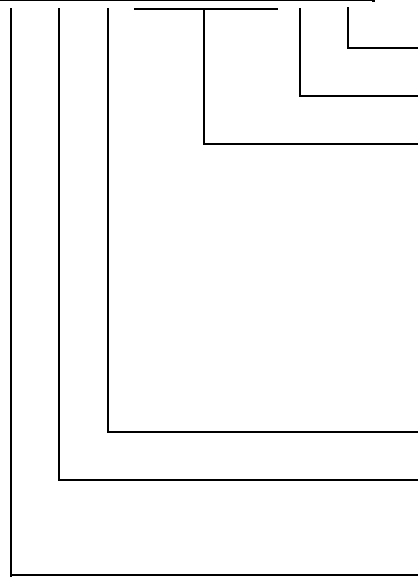
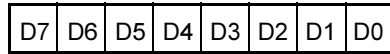


* Default setting after reset

** Default setting after reset and Stop-Mode Recovery

Figure 52. Stop-Mode Recovery Register—(F) 0BH: D6–D0=Write Only, D7=Read Only

SMR2 (0F) DH



Reserved (must be 0)

Reserved (must be 0)

Stop-Mode Recovery Source 2

000 = POR Only *

001 = NAND P20, P21, P22, P23

010 = NAND P20, P21, P22, P33, P24, P25, P26, P27

011 = NOR P31, P32, P33

100 = NAND P31, P32, P33

101 = NOR P31, P32, P33, P00, P07

110 = NAND P31, P32, P33, P00, P07

111 = NAND P31, P32, P33, P20, P21, P22

Reserved (must be 0)

Recovery Level

0 = Low *

1 = High

Reserved (must be 0)

* Default setting after reset

Note: If used in conjunction with SMR,
either of the two specified events
causes a Stop-Mode Recovery.

Figure 53. Stop-Mode Recovery Register 2—(0F) DH: D2–D4, D6 Write Only

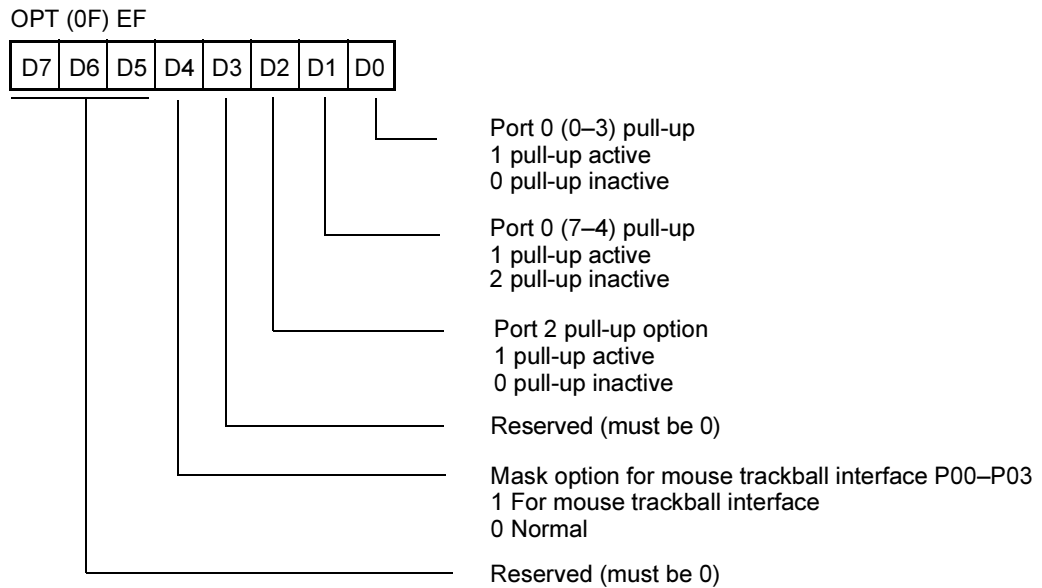
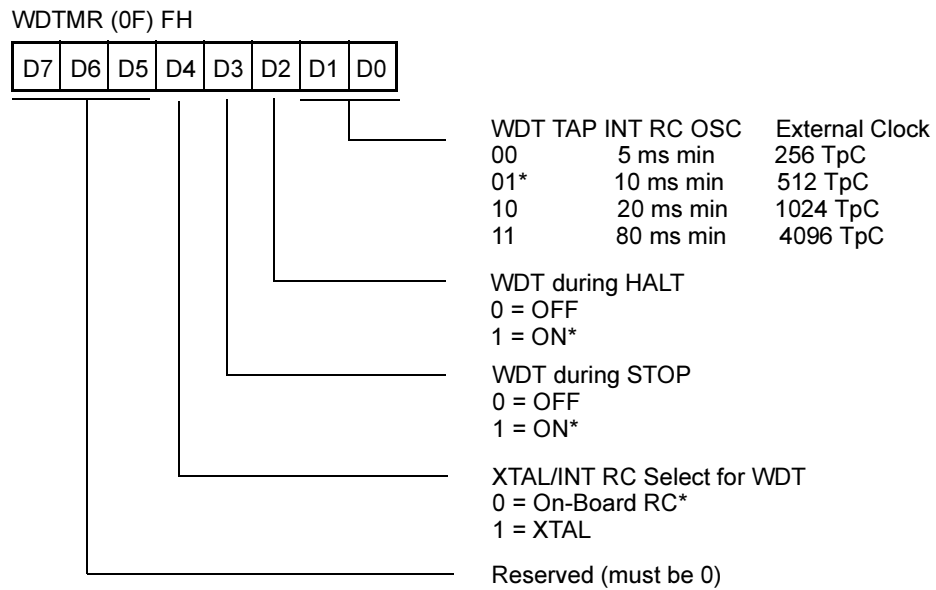
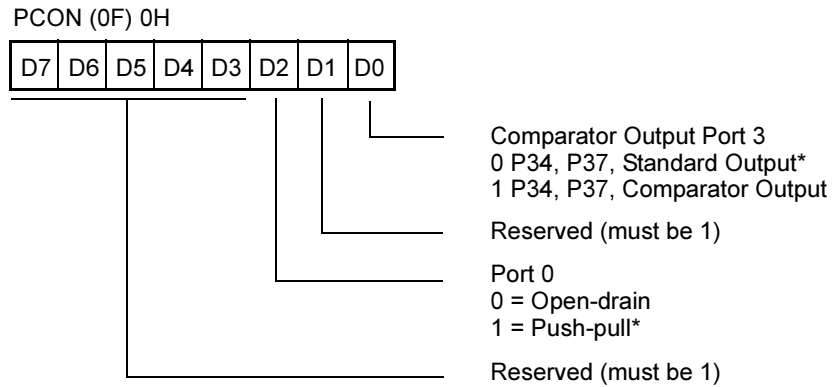


Figure 54. Option Bit Register



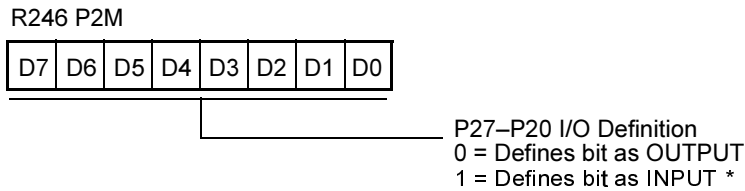
* Default setting after reset

Figure 55. Watch-Dog Timer Mode Register—(F) 0FH: Write Only



*Default setting after reset

Figure 56. Port Configuration Register (PCON)—(0F) 0H: Write Only



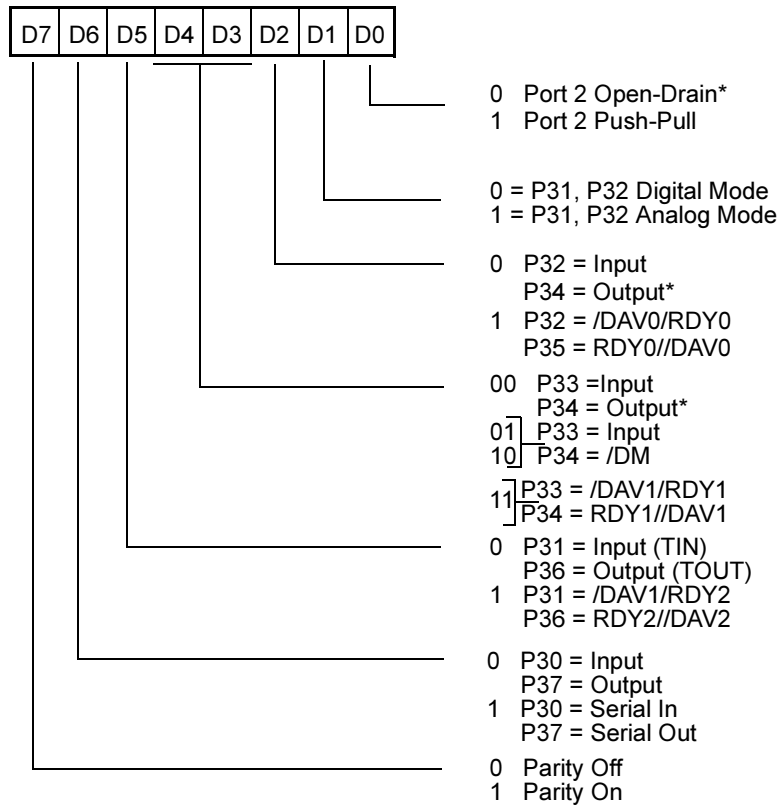
*Default setting after reset

Figure 57. Port 2 Mode Register—F6H: Write Only

Z8 Standard Control Register Diagrams

Figure 58 through Figure 66 show the Z8 standard control register diagrams.

R247 P3M



* Default setting after reset

Figure 58. Port 3 Mode Register—F7H: Write Only

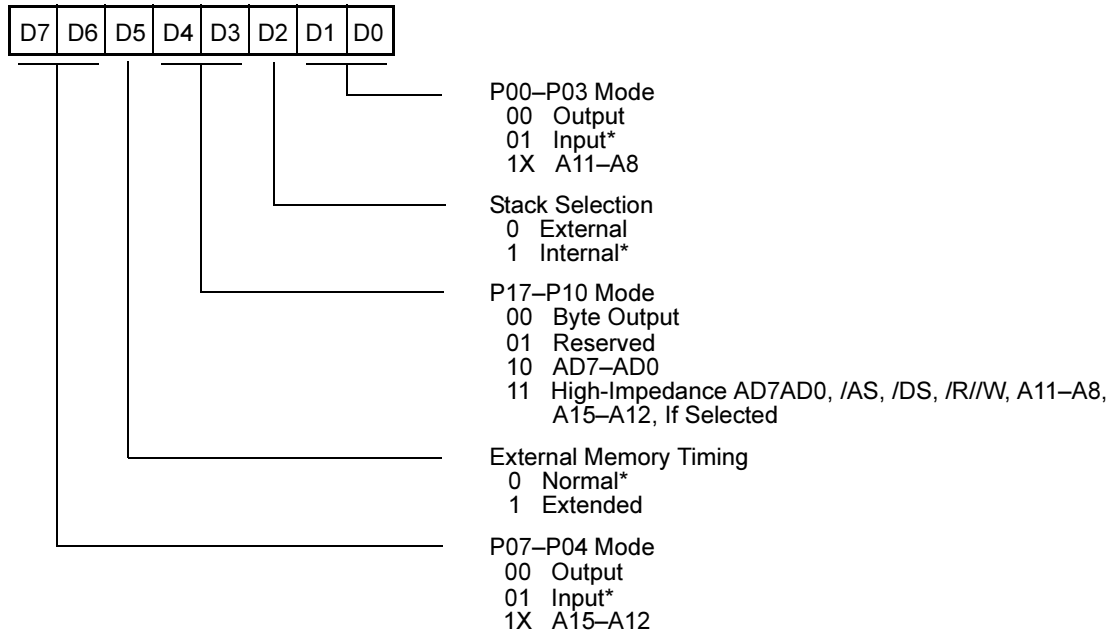


Figure 59. Port 0 and 1 Mode Register—F8H: Write Only

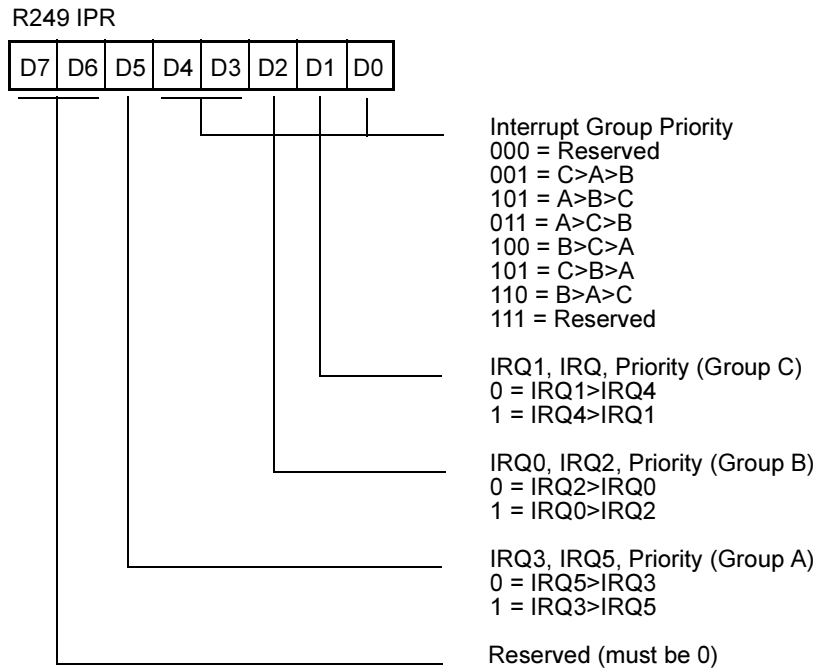


Figure 60. Interrupt Priority Registers—(0) F9H: Write Only

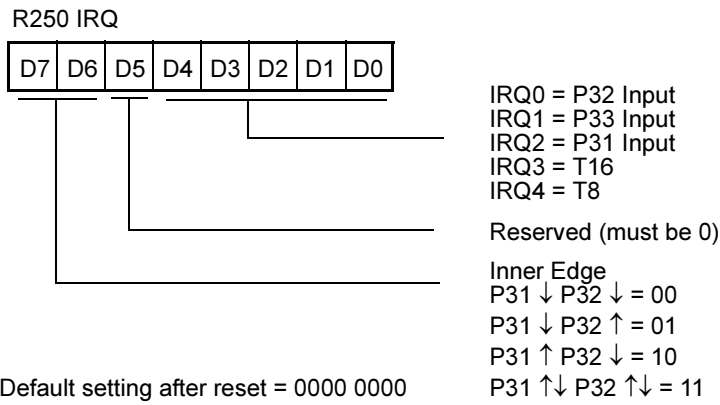
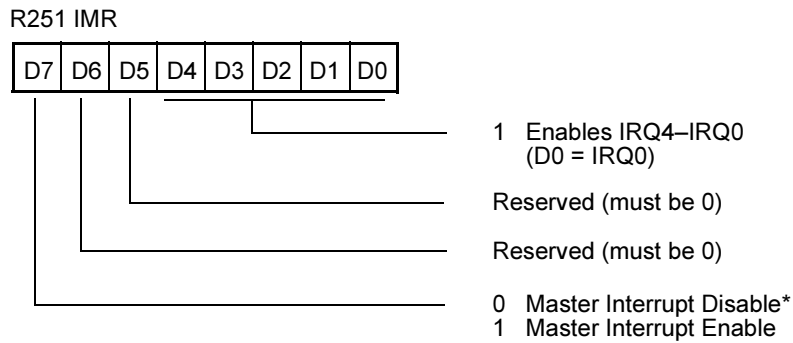


Figure 61. Interrupt Request Register—(0) FAH: Read/Write



* Default setting after reset

Figure 62. Interrupt Mask Register—(0) FBH: Read/Write

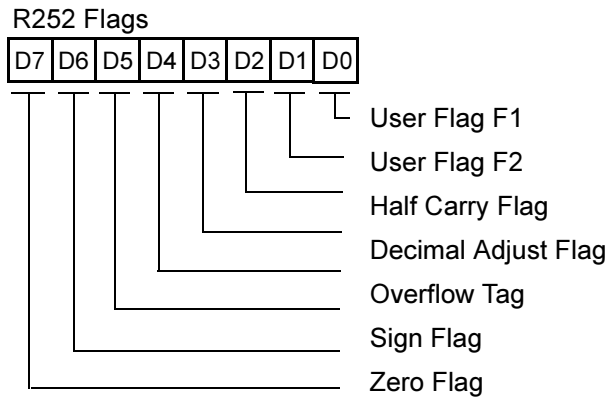


Figure 63. Flag Register—(0) FCH: Read/Write

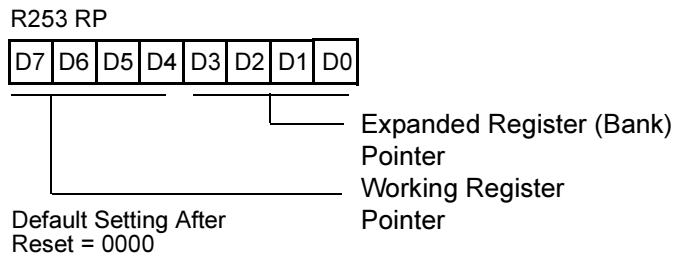


Figure 64. Register Pointer—(0) FDH: Read/Write

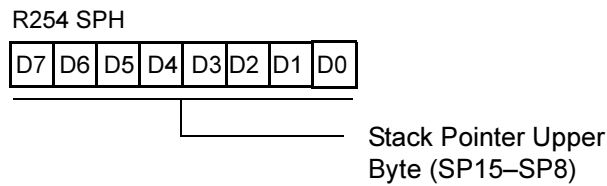


Figure 65. Stack Pointer High—(0) FEH: Read/Write

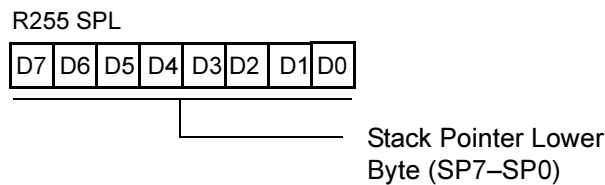
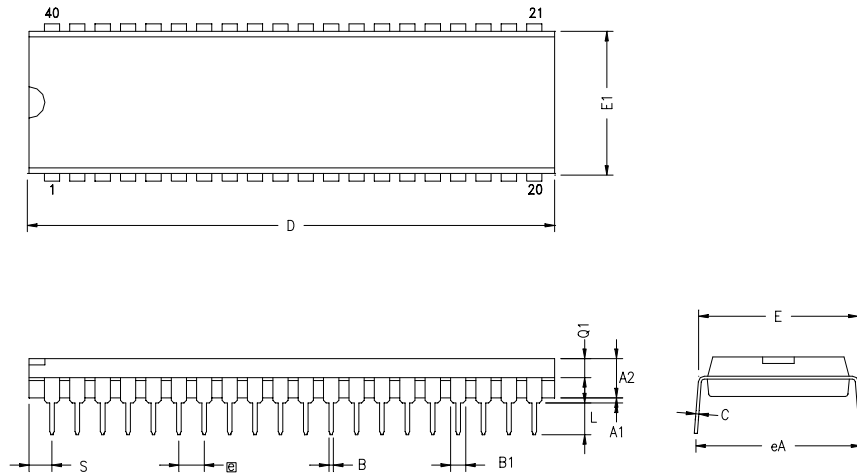


Figure 66. Stack Pointer Low—(0) FFH: Read/Write

Package Information

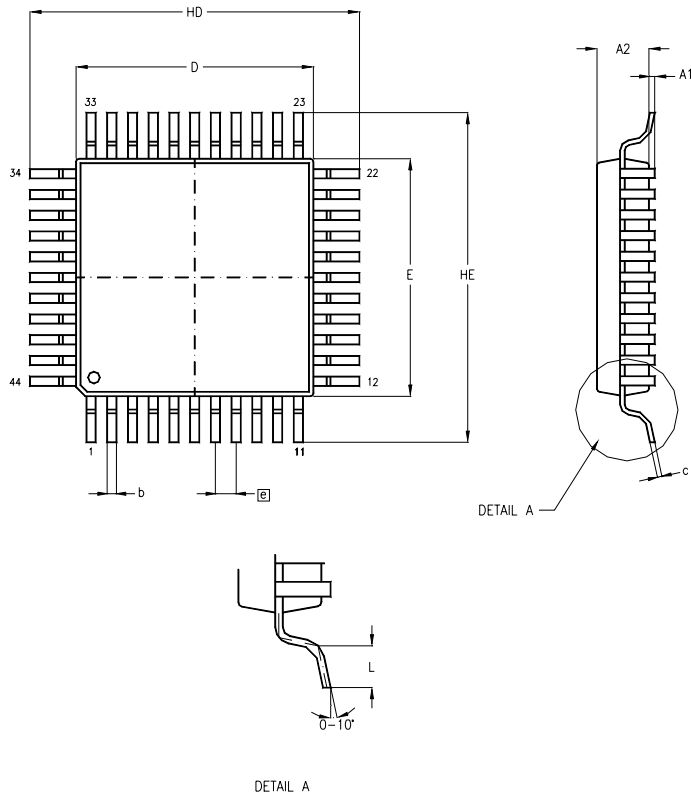
The Z86E72/73 is available in 40-pin DIP (Figure 67), 44-pin QFP (Figure 68 on page 94), and 44-pin PLCC (Figure 69 on page 95) packages.



SYMBOL	MILLIMETER		INCH	
	MIN	MAX	MIN	MAX
A1	0.51	1.02	.020	.040
A2	3.18	3.94	.125	.155
B	0.38	0.53	.015	.021
B1	1.02	1.52	.040	.060
C	0.23	0.38	.009	.015
D	52.07	52.58	2.050	2.070
E	15.24	15.75	.600	.620
E1	13.59	14.22	.535	.560
⌀	2.54 TYP		.100 TYP	
eA	15.49	16.76	.610	.660
L	3.05	3.81	.120	.150
Q1	1.40	1.91	.055	.075
S	1.52	2.29	.060	.090

CONTROLLING DIMENSIONS : INCH

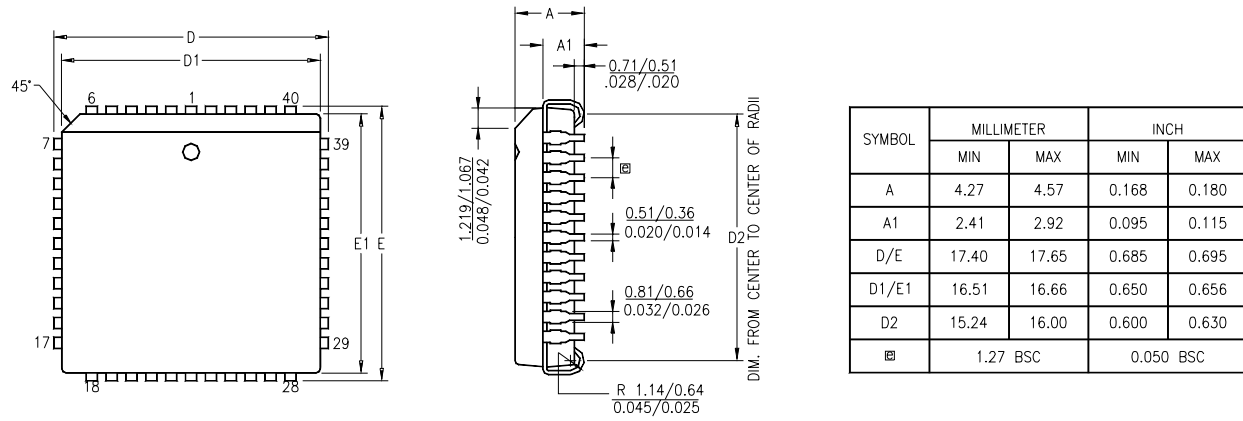
Figure 67. 40-Pin DIP Package Diagram



SYMBOL	MILLIMETER		INCH	
	MIN	MAX	MIN	MAX
A1	0.05	0.25	.002	.010
A2	2.00	2.25	.078	.089
b	0.25	0.45	.010	.018
c	0.13	0.20	.005	.008
HD	13.70	14.15	.539	.557
D	9.90	10.10	.390	.398
HE	13.70	14.15	.539	.557
E	9.90	10.10	.390	.398
e	0.80 BSC		.0315 BSC	
L	0.60	1.20	.024	.047

NOTES:
1. CONTROLLING DIMENSIONS : MILLIMETER
2. LEAD COPLANARITY : MAX $\frac{.10}{.004}$

Figure 68. 44-Pin QFP Package Diagram



- NOTES:
1. CONTROLLING DIMENSION : INCH
 2. LEADS ARE COPLANAR WITHIN 0.004".
 3. DIMENSION : $\frac{MM}{INCH}$

Figure 69. 44-Pin PLCC Package Diagram

Ordering Information

Table 33 shows the ordering codes for the 16-MHz Z86E72/73.

Table 33. Ordering Codes

40-Pin DIP	44-Pin PLCC	44-Pin QFP
Z86E7216PSC	Z86E7216VSC	Z86E7216FSC
Z86E7316PSC	Z86E7316VSC	Z86E7316FSC

Figure 70 shows an example of what the ordering codes represent.

Example:

Z 86E73 16 P S C is a Z86E73, 16 MHz, DIP, 0 °C to +70 °C, Plastic Standard

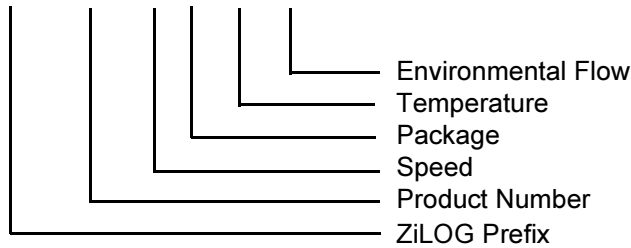


Figure 70. Ordering Codes Example

For fast results, contact your local ZiLOG sales office for assistance in ordering the part wanted.

Package

- P = Plastic DIP
- F = Plastic Quad Flat Pack
- V = Plastic Chip Carrier

Temperature

S = 0 °C to +70 °C

Speed

16 = 16 MHz

Environmental

C = Plastic Standard



Customer Feedback Form

Z86E72/73 OTP Microcontroller

If you experience any problems while operating this product, or if you note any inaccuracies while reading this product specification, please copy and complete this form, then mail or fax it to ZiLOG (see *Return Information*, below). We also welcome your suggestions!

Customer Information

Name	Country
Company	Phone
Address	Fax
City/State/Zip	email

Product Information

Serial # or Board Fab #/Rev #
Software Version
Document Number
Host Computer Description/Type

Return Information

ZiLOG
System Test/Customer Support
532 Race Street
San Jose, CA 95126-3432
Fax: (408) 558-8300
Email: tools@zilog.com

Problem Description or Suggestion

Provide a complete description of the problem or your suggestion. If you are reporting a specific problem, include all steps leading up to the occurrence of the problem. Attach additional pages as necessary.
