
PART NUMBER**54HC390JB-ROCV**

**Rochester Electronics
Manufactured Components**

Rochester branded components are manufactured using either die/wafers purchased from the original suppliers or Rochester wafers recreated from the original IP. All re-creations are done with the approval of the Original Component Manufacturer. (OCM)

Parts are tested using original factory test programs or Rochester developed test solutions to guarantee product meets or exceeds the OCM data sheet.

Quality Overview

- ISO-9001
- AS9120 certification
- Qualified Manufacturers List (QML) MIL-PRF-38535
 - Class Q Military
 - Class V Space Level

Qualified Suppliers List of Distributors (QSLD)

- Rochester is a critical supplier to DLA and meets all industry and DLA standards.

Rochester Electronics, LLC is committed to supplying products that satisfy customer expectations for quality and are equal to those originally supplied by industry manufacturers.

The original manufacturer's datasheet accompanying this document reflects the performance and specifications of the Rochester manufactured version of this device. Rochester Electronics guarantees the performance of its semiconductor products to the original OCM specifications. 'Typical' values are for reference purposes only. Certain minimum or maximum ratings may be based on product characterization, design, simulation, or sample testing.

54HC390

Dual Binary Counter with Divide By 2 and Divide By 5 Sections

Rochester Electronics Manufactured Components

Rochester branded components are manufactured using either die/wafers purchased from the original suppliers or Rochester wafers recreated from the original IP. All re-creations are done with the approval of the Original Component Manufacturer (OCM).

Parts are tested using original factory test programs or Rochester developed test solutions to guarantee product meets or exceeds the OCM data sheet.

Quality Overview

- ISO-9001
- AS9120 certification
- Qualified Manufacturers List (QML) MIL-PRF-35835
 - Class Q Military
 - Class V Space Level
- Qualified Suppliers List of Distributors (QSLD)
 - Rochester is a critical supplier to DLA and meets all industry and DLA standards.

Rochester Electronics, LLC is committed to supplying products that satisfy customer expectations for quality and are equal to those originally supplied by industry manufacturers.

The original manufacturer's datasheet accompanying this document reflects the performance and specifications of the Rochester manufactured version of this device. Rochester Electronics guarantees the performance of its semiconductor products to the original OCM specifications. 'Typical' values are for reference purposes only. Certain minimum or maximum ratings may be based on product characterization, design, simulation, or sample testing.

FOR REFERENCE ONLY

REVISIONS

| LTR | DESCRIPTION | DATE (YR-MO-DA) | APPROVED |
|-----|---|-----------------|----------------|
| A | Convert to Military Drawing format. Add vendor CAGE 27014 for device type 01 | 87-01-09 | N A Hauck |
| B | Add case 2 for approved source 27014. Add one approved source 01295 for cases E and 2 | 87-08-25 | N A Hauck |
| C | Delete vendor CAGE 18714. Technical and editorial changes throughout | 91-11-05 | M. A. Frye |
| D | Update boilerplate to current MIL-PRF-38535 requirements. – MAA | 08-06-25 | Thomas M. Hess |
| E | Update boilerplate paragraphs to current MIL-PRF-38535 requirements. – jwc | 16-03-23 | Thomas M. Hess |



| | | | | | | | | | | | | | | | | | | | | |
|-------|--|--|--|--|--|--|--|--|--|--|--|--|--|--|--|--|--|--|--|--|
| REV | | | | | | | | | | | | | | | | | | | | |
| SHEET | | | | | | | | | | | | | | | | | | | | |
| REV | | | | | | | | | | | | | | | | | | | | |
| SHEET | | | | | | | | | | | | | | | | | | | | |

| | | | | | | | | | | | | | | | | | | | | |
|-------------------------|-------|---|---|---|---|---|---|---|---|---|----|----|----|----|---|---|---|---|---|---|
| REV STATUS OF SHEETS | REV | E | E | E | E | E | E | E | E | E | E | E | E | E | E | E | E | E | E | E |
| | SHEET | 1 | 2 | 3 | 4 | 5 | 6 | 7 | 8 | 9 | 10 | 11 | 12 | 13 | | | | | | |

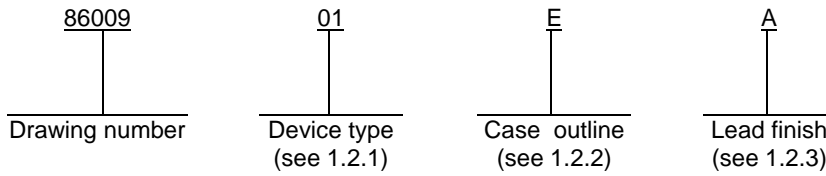
| | | | | | | | | | | | | | | | | | | | |
|--|---|---|------------------|---------------------------|--------------|--|--|--|--|--|--|--|--|--|--|--|--|--|--|
| PMIC N/A | PREPARED BY Jeffery Tunstall | <p align="center">DLA LAND AND MARITIME COLUMBUS, OHIO 43218-3990 http://www.landandmaritime.dla.mil</p> | | | | | | | | | | | | | | | | | |
| <p align="center">STANDARD MICROCIRCUIT DRAWING</p> <p>THIS DRAWING IS AVAILABLE FOR USE BY ALL DEPARTMENTS AND AGENCIES OF THE DEPARTMENT OF DEFENSE</p> | CHECKED BY D A Di Cenzo | | | | | | | | | | | | | | | | | | |
| | APPROVED BY N A Hauck | <p align="center">MICROCIRCUIT, DIGITAL, HIGH-SPEED CMOS, DUAL BINARY COUNTER, MONOLITHIC SILICON</p> | | | | | | | | | | | | | | | | | |
| | ORIGINAL DRAWING APPROVAL DATE 86-01-29 | | | | | | | | | | | | | | | | | | |
| | AMSC N/A | REVISION LEVEL E | SIZE A | CAGE CODE 67268 | 86009 | | | | | | | | | | | | | | |

SHEET 1 OF 13

1. SCOPE

1.1 Scope. This drawing describes device requirements for MIL-STD-883 compliant, non-JAN class level B microcircuits in accordance with MIL-PRF-38535, appendix A.

1.2 Part or Identifying Number (PIN). The complete PIN is as shown in the following example:



1.2.1 Device type(s). The device type(s) identify the circuit function as follows:

| <u>Device type</u> | <u>Generic number</u> | <u>Circuit function</u> |
|--------------------|-----------------------|---|
| 01 | 54HC390 | Dual binary counter with divide by 2 and divide by 5 sections |

1.2.2 Case outline(s). The case outline(s) are as designated in MIL-STD-1835 and as follows:

| <u>Outline letter</u> | <u>Descriptive designator</u> | <u>Terminals</u> | <u>Package style</u> |
|-----------------------|-------------------------------|------------------|------------------------------|
| E | GDIP1-T16 or CDIP2-T16 | 16 | Dual-in-line |
| 2 | CQCC1-N20 | 20 | Square leadless chip carrier |

1.2.3 Lead finish. The lead finish is as specified in MIL-PRF-38535, appendix A

| | | | |
|--|------------------|---------------------|--------------|
| STANDARD MICROCIRCUIT DRAWING DLA LAND AND MARITIME COLUMBUS, OHIO 43218-3990 | SIZE A | | 86009 |
| | | REVISION LEVEL E | SHEET 2 |

1.3 Absolute maximum ratings. 1/ 2/

| | |
|--|----------------------------------|
| Supply voltage range (V_{CC}) | -0.5 V dc to +7.0 V dc |
| DC input voltage range (V_{IN}) | -0.5 V dc to $V_{CC} + 0.5$ V dc |
| DC output voltage range (V_{OUT}) | -0.5 V dc to $V_{CC} + 0.5$ V dc |
| Input clamp diode current (I_{IK}) | ± 20 mA |
| DC output current (per pin) (I_{OK}) | ± 25 mA |
| DC V_{CC} or GND current (per pin) | ± 50 mA |
| Storage temperature range (T_{STG}) | -65°C to +150°C |
| Maximum power dissipation (P_D) | -500 mW 4/ |
| Lead temperature (soldering 10 seconds) | +260°C |
| Thermal resistance, junction-to-case (θ_{JC}) | See MIL-STD-1835 |
| Junction temperature (T_J) | +175°C |

1.4 Recommended operating conditions. 2/ 3/

| | |
|--|----------------------------------|
| Supply voltage range (V_{CC}) | +2.0 V dc min. to +6.0 V dc max. |
| Input voltage range (V_{IN}) | 0.0 V dc to V_{CC} |
| Output voltage range (V_{OUT}) | 0.0 V dc to V_{CC} |
| Case operating temperature range (T_C) | -55°C to +125°C |
| Input rise or fall time (t_r, t_f): | |
| $V_{CC} = 2.0$ V | 0 to 500 ns |
| $V_{CC} = 4.5$ V | 0 to 500 ns |
| $V_{CC} = 6.0$ V | 0 to 400 ns |
| Minimum recovery time, reset (t_{rec}): | |
| For $T_C = 25^\circ\text{C}$, | |
| $V_{CC} = 2.0$ V | 50 ns |
| $V_{CC} = 4.5$ V | 10 ns |
| $V_{CC} = 6.0$ V | 9 ns |
| For $T_C = -55^\circ\text{C} / +125^\circ\text{C}$, | |
| $V_{CC} = 2.0$ V | 75 ns |
| $V_{CC} = 4.5$ V | 15 ns |
| $V_{CC} = 6.0$ V | 13 ns |
| Minimum width of clock or reset pulse (t_w): | |
| For $T_C = 25^\circ\text{C}$, | |
| $V_{CC} = 2.0$ V | 85 ns |
| $V_{CC} = 4.5$ V | 17 ns |
| $V_{CC} = 6.0$ V | 14 ns |
| For $T_C = -55^\circ\text{C} / +125^\circ\text{C}$, | |
| $V_{CC} = 2.0$ V | 130 ns |
| $V_{CC} = 4.5$ V | 26 ns |
| $V_{CC} = 6.0$ V | 22 ns |
| Maximum clock frequency (f_{max}): | |
| For $T_C = 25^\circ\text{C}$, | |
| $V_{CC} = 2.0$ V | 5.4 MHz |
| $V_{CC} = 4.5$ V | 27 MHz |
| $V_{CC} = 6.0$ V | 32 MHz |
| For $T_C = -55^\circ\text{C} / +125^\circ\text{C}$, | |
| $V_{CC} = 2.0$ V | 3.6 MHz |
| $V_{CC} = 4.5$ V | 18 MHz |
| $V_{CC} = 6.0$ V | 21 MHz |

- 1/ Stresses above the absolute maximum rating may cause permanent damage to the device. Extended operation at the maximum levels may degrade performance and affect reliability.
- 2/ Unless otherwise specified, all voltages are referenced to GND.
- 3/ The limits for the parameters specified herein shall apply over the full specified V_{CC} range and case operating temperature range of -55°C to +125°C.
- 4/ For $T_C = +100^\circ\text{C}$ to +125°C, derate linearly at 12 mW/°C

| | | | |
|--|------------------|---------------------|--------------|
| STANDARD MICROCIRCUIT DRAWING DLA LAND AND MARITIME COLUMBUS, OHIO 43218-3990 | SIZE A | | 86009 |
| | | REVISION LEVEL E | SHEET 3 |

2. APPLICABLE DOCUMENTS

2.1 Government specification, standards, and handbooks. The following specification, standards, and handbooks form a part of this drawing to the extent specified herein. Unless otherwise specified, the issues of these documents are those cited in the solicitation or contract.

DEPARTMENT OF DEFENSE SPECIFICATION

MIL-PRF-38535 - Integrated Circuits, Manufacturing, General Specification for.

DEPARTMENT OF DEFENSE STANDARDS

MIL-STD-883 - Test Method Standard Microcircuits.
MIL-STD-1835 - Interface Standard Electronic Component Case Outlines.

DEPARTMENT OF DEFENSE HANDBOOKS

MIL-HDBK-103 - List of Standard Microcircuit Drawings.
MIL-HDBK-780 - Standard Microcircuit Drawings.

(Copies of these documents are available online at <http://quicksearch.dla.mil/> or from the Standardization Document Order Desk, 700 Robbins Avenue, Building 4D, Philadelphia, PA 19111-5094.)

2.2 Non-Government publications. The following document(s) form a part of this document to the extent specified herein. Unless otherwise specified, the issues of these documents are those cited in the solicitation or contract.

JEDEC – SOLID STATE TECHNOLOGY ASSOCIATION (JEDEC)

JESD 7A - Standard for Description of 54/74HCXXX and 54/74HCTXXX High-Speed CMOS Devices.

(Copies of these documents are available online at <http://www.jedec.org> or from JEDEC – Solid State Technology Association, 3103 North 10th Street, Suite 240-S Arlington, VA 22201-2107).

2.3 Order of precedence. In the event of a conflict between the text of this drawing and the references cited herein, the text of this drawing takes precedence. Nothing in this document, however, supersedes applicable laws and regulations unless a specific exemption has been obtained.

3. REQUIREMENTS

3.1 Item requirements. The individual item requirements shall be in accordance with MIL-PRF-38535, appendix A for non-JAN class level B devices and as specified herein. Product built to this drawing that is produced by a Qualified Manufacturer Listing (QML) certified and qualified manufacturer or a manufacturer who has been granted transitional certification to MIL-PRF-38535 may be processed as QML product in accordance with the manufacturers approved program plan and qualifying activity approval in accordance with MIL-PRF-38535. This QML flow as documented in the Quality Management (QM) plan may make modifications to the requirements herein. These modifications shall not affect form, fit, or function of the device. These modifications shall not affect the PIN as described herein. A "Q" or "QML" certification mark in accordance with MIL-PRF-38535 is required to identify when the QML flow option is used.

3.2 Design, construction, and physical dimensions. The design, construction, and physical dimensions shall be as specified in MIL-PRF-38535, appendix A and herein.

3.2.1 Case outline(s). The case outline(s) shall be in accordance with 1.2.2 herein.

3.2.2 Terminal connections. The terminal connections shall be as specified on figure 1.

3.2.3 Logic diagram(s). The logic diagram(s) shall be as specified on figure 2.

3.2.4 Truth table(s) and counting sequence diagram. The truth table(s) and counting sequence diagram shall be as specified on figure 3.

3.2.5 Switching waveforms. The switching waveforms shall be as specified on figure 4.

| | | | |
|--|------------------|----------------------------|-------------------|
| STANDARD MICROCIRCUIT DRAWING DLA LAND AND MARITIME COLUMBUS, OHIO 43218-3990 | SIZE A | | 86009 |
| | | REVISION LEVEL E | SHEET 4 |

3.3 Electrical performance characteristics. Unless otherwise specified herein, the electrical performance characteristics are as specified in table I and shall apply over the full (case or ambient) operating temperature range.

3.4 Electrical test requirements. The electrical test requirements shall be the subgroups specified in table II. The electrical tests for each subgroup are described in table I.

3.5 Marking. Marking shall be in accordance with MIL-PRF-38535, appendix A. The part shall be marked with the PIN listed in 1.2 herein. In addition, the manufacturer's PIN may also be marked. For packages where marking of the entire SMD PIN number is not feasible due to space limitations, the manufacturer has the option of not marking the "5962-" on the device.

3.5.1 Certification/compliance mark. A compliance indicator "C" shall be marked on all non-JAN devices built in compliance to MIL-PRF-38535, appendix A. The compliance indicator "C" shall be replaced with a "Q" or "QML" certification mark in accordance with MIL-PRF-38535 to identify when the QML flow option is used.

3.6 Certificate of compliance. A certificate of compliance shall be required from a manufacturer in order to be listed as an approved source of supply in MIL-HDBK-103 (see 6.6 herein). The certificate of compliance submitted to DLA Land and Maritime-VA prior to listing as an approved source of supply shall affirm that the manufacturer's product meets the requirements of MIL-PRF-38535, appendix A and the requirements herein.

3.7 Certificate of conformance. A certificate of conformance as required in MIL-PRF-38535, appendix A shall be provided with each lot of microcircuits delivered to this drawing.

3.8 Notification of change. Notification of change to DLA Land and Maritime-VA shall be required for any change that affects this drawing.

3.9 Verification and review. DLA Land and Maritime, DLA Land and Maritime's agent, and the acquiring activity retain the option to review the manufacturer's facility and applicable required documentation. Offshore documentation shall be made available onshore at the option of the reviewer.

| | | | |
|--|------------------|---------------------|--------------|
| STANDARD MICROCIRCUIT DRAWING DLA LAND AND MARITIME COLUMBUS, OHIO 43218-3990 | SIZE A | | 86009 |
| | | REVISION LEVEL E | SHEET 5 |

TABLE I. Electrical performance characteristics.

| Test | Symbol | Conditions ^{1/} -55°C ≤ T _C ≤ +125°C unless otherwise specified | | Group A subgroups | Limits | | Unit |
|--|--|---|-------------------------|----------------------|--------|------|------|
| | | | | | Min | Max | |
| High level output voltage | V _{OH} | V _{IN} = V _{IH} min. or V _{IL} max. I _{OH} = -20 μA | V _{CC} = 2.0 V | 1, 2, 3 | 1.9 | | V |
| | | | V _{CC} = 4.5 V | | 4.4 | | |
| | | | V _{CC} = 6.0 V | | 5.9 | | |
| | | V _{IN} = V _{IH} min. or V _{IL} max. I _{OH} = -4 mA | V _{CC} = 4.5 V | | 3.7 | | |
| | | V _{IN} = V _{IH} min. or V _{IL} max. I _{OH} = -5.2 mA | V _{CC} = 6.0 V | | 5.2 | | |
| Low level output voltage | V _{OL} | V _{IN} = V _{IH} min. or V _{IL} max. I _{OL} = +20 μA | V _{CC} = 2.0 V | 1, 2, 3 | | 0.1 | V |
| | | | V _{CC} = 4.5 V | | | 0.1 | |
| | | | V _{CC} = 6.0 V | | | 0.1 | |
| | | V _{IN} = V _{IH} min. or V _{IL} max. I _{OL} = +4 mA | V _{CC} = 4.5 V | | | 0.4 | |
| | | V _{IN} = V _{IH} min. or V _{IL} max. I _{OL} = +5.2 mA | V _{CC} = 6.0 V | | | 0.4 | |
| High level input voltage | V _{IH} | <u>2/</u> | V _{CC} = 2.0 V | 1, 2, 3 | 1.50 | | V |
| | | | V _{CC} = 4.5 V | | 3.15 | | |
| | | | V _{CC} = 6.0 V | | 4.2 | | |
| Low level input voltage | V _{IL} | <u>2/</u> | V _{CC} = 2.0 V | 1, 2, 3 | | 0.3 | V |
| | | | V _{CC} = 4.5 V | | | 0.9 | |
| | | | V _{CC} = 6.0 V | | | 1.2 | |
| Input leakage current | I _{IN} | V _{IN} = V _{CC} or GND V _{CC} = 6.0 V | | 1, 2, 3 | | ±1.0 | μA |
| Quiescent supply current | I _{CC} | V _{IN} = V _{CC} or GND V _{CC} = 6.0 V | | 1, 2, 3 | | 160 | μA |
| Input capacitance | C _{IN} | V _{IN} = 0.0 V; See 4.4.1c | | 4 | | 10 | pF |
| Functional test | | See 4.4.1d | | 7, 8 | | | |
| Propagation delay time, Clock An to QAn <u>3/</u> | t _{PHL1} , t _{PLH1} | C _L = 50 pF See figure 4 | V _{CC} = 2.0 V | 1, 2, 3 | 9 | 145 | ns |
| | | | | | 10, 11 | 220 | |
| | | | V _{CC} = 4.5 V | | 9 | 29 | |
| | | | | | 10, 11 | 44 | |
| | | | V _{CC} = 6.0 V | | 9 | 25 | |
| | | | | | 10, 11 | 38 | |
| Propagation delay time, Clock Bn to QBn <u>3/</u> | t _{PHL2} , t _{PLH2} | C _L = 50 pF See figure 4 | V _{CC} = 2.0 V | 1, 2, 3 | 9 | 155 | ns |
| | | | | | 10, 11 | 235 | |
| | | | V _{CC} = 4.5 V | | 9 | 31 | |
| | | | | | 10, 11 | 47 | |
| | | | V _{CC} = 6.0 V | | 9 | 26 | |
| | | | | | 10, 11 | 40 | |

See footnotes at end of table.

| | | | |
|--|------------------|----------------------------|-------------------|
| STANDARD MICROCIRCUIT DRAWING DLA LAND AND MARITIME COLUMBUS, OHIO 43218-3990 | SIZE A | | 86009 |
| | | REVISION LEVEL E | SHEET 6 |

TABLE I. Electrical performance characteristics – Continued.

| Test | Symbol | Conditions ^{1/} -55°C ≤ T _c ≤ +125°C unless otherwise specified | | Group A subgroups | Limits | | Unit |
|---|--|---|-------------------------|----------------------|--------|-----|------|
| | | | | | Min | Max | |
| Propagation delay time, Clock Bn to QCn <u>3/</u> | t _{PHL3} , t _{PLH3} | C _L = 50 pF See figure 4 | V _{CC} = 2.0 V | 9 | | 210 | ns |
| | | | | 10, 11 | | 315 | |
| | | | V _{CC} = 4.5 V | 9 | | 42 | |
| | | | | 10, 11 | | 63 | |
| | | | V _{CC} = 6.0 V | 9 | | 36 | |
| | | | | 10, 11 | | 54 | |
| Propagation delay time, Clock An to QDn <u>3/</u> | t _{PHL4} , t _{PLH4} | C _L = 50 pF See figure 4 | V _{CC} = 2.0 V | 9 | | 155 | ns |
| | | | | 10, 11 | | 235 | |
| | | | V _{CC} = 4.5 V | 9 | | 31 | |
| | | | | 10, 11 | | 47 | |
| | | | V _{CC} = 6.0 V | 9 | | 26 | |
| | | | | 10, 11 | | 40 | |
| Propagation delay time, RESETn to any Qn <u>3/</u> | t _{PHL5} | C _L = 50 pF See figure 4 | V _{CC} = 2.0 V | 9 | | 165 | ns |
| | | | | 10, 11 | | 250 | |
| | | | V _{CC} = 4.5 V | 9 | | 33 | |
| | | | | 10, 11 | | 50 | |
| | | | V _{CC} = 6.0 V | 9 | | 28 | |
| | | | | 10, 11 | | 43 | |
| Transition time <u>4/</u> | t _{TLH} , t _{THL} | C _L = 50 pF See figure 4 | V _{CC} = 2.0 V | 9 | | 75 | ns |
| | | | | 10, 11 | | 110 | |
| | | | V _{CC} = 4.5 V | 9 | | 15 | |
| | | | | 10, 11 | | 22 | |
| | | | V _{CC} = 6.0 V | 9 | | 13 | |
| | | | | 10, 11 | | 19 | |

^{1/} For a power supply of 5.0 V ±10% the worst case output voltage (V_{OH} and V_{OL}) occur for HC at 4.5 V. Thus the 4.5 V values should be used when design with this supply voltage. Worst case V_{IH} and V_{IL} occur at V_{CC} = 5.5 V and 4.5 V respectively. (The V_{IH} value at 5.5 V is 3.85 V)

The worst case leakage current (I_{IN}, I_{CC} and I_{OZ}) occur for CMOS at the higher voltage, So V_{CC} = 6.0 V values should be used.

Power dissipation capacitance (C_{PD}) typically 40 pF, to determine the no load dynamic power consumption, P_D = C_{PD} (V_{CC} × V_{CC}) × f + (I_{CC} × V_{CC}), and no load dynamic current consumption, I_S = (C_{PD} × V_{CC} × f) + I_{CC}

^{2/} V_{IH} and V_{IL} tests are not required if applied as forcing function for V_{OH} and V_{OL}.

^{3/} AC testing at V_{CC} = 2.0 V and V_{CC} = 6.0 V shall be guaranteed, if not tested to the specified parameters.

^{4/} Transition time (t_{TLH} and t_{THL}) shall be guaranteed, if not tested to the specified parameters.

| | | | |
|--|------------------|----------------------------|-------------------|
| STANDARD MICROCIRCUIT DRAWING DLA LAND AND MARITIME COLUMBUS, OHIO 43218-3990 | SIZE A | | 86009 |
| | | REVISION LEVEL E | SHEET 7 |

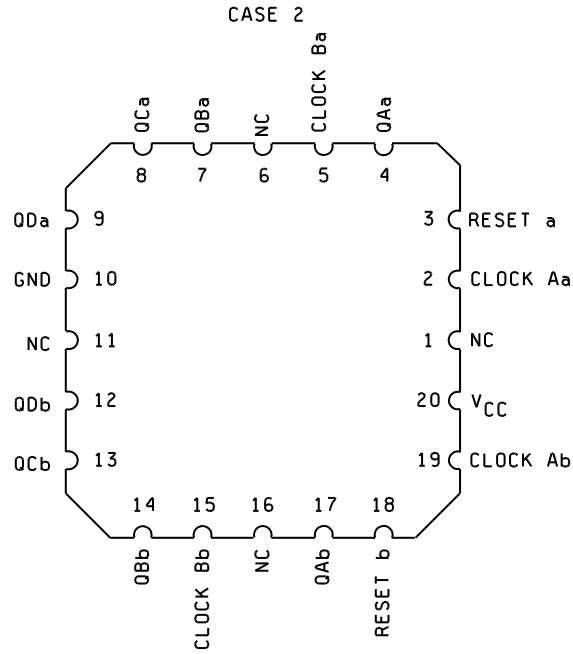
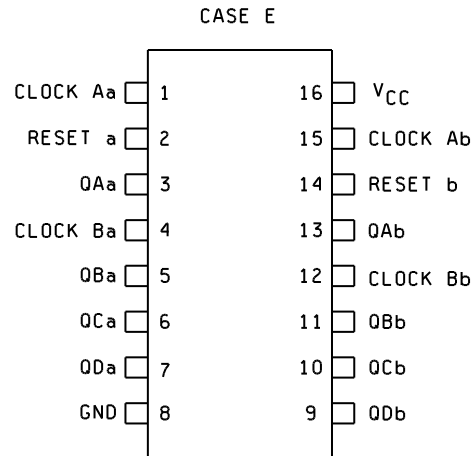


FIGURE 1. Terminal connections.

**STANDARD
MICROCIRCUIT DRAWING**
DLA LAND AND MARITIME
COLUMBUS, OHIO 43218-3990

SIZE
A

86009

REVISION LEVEL
E

SHEET
8

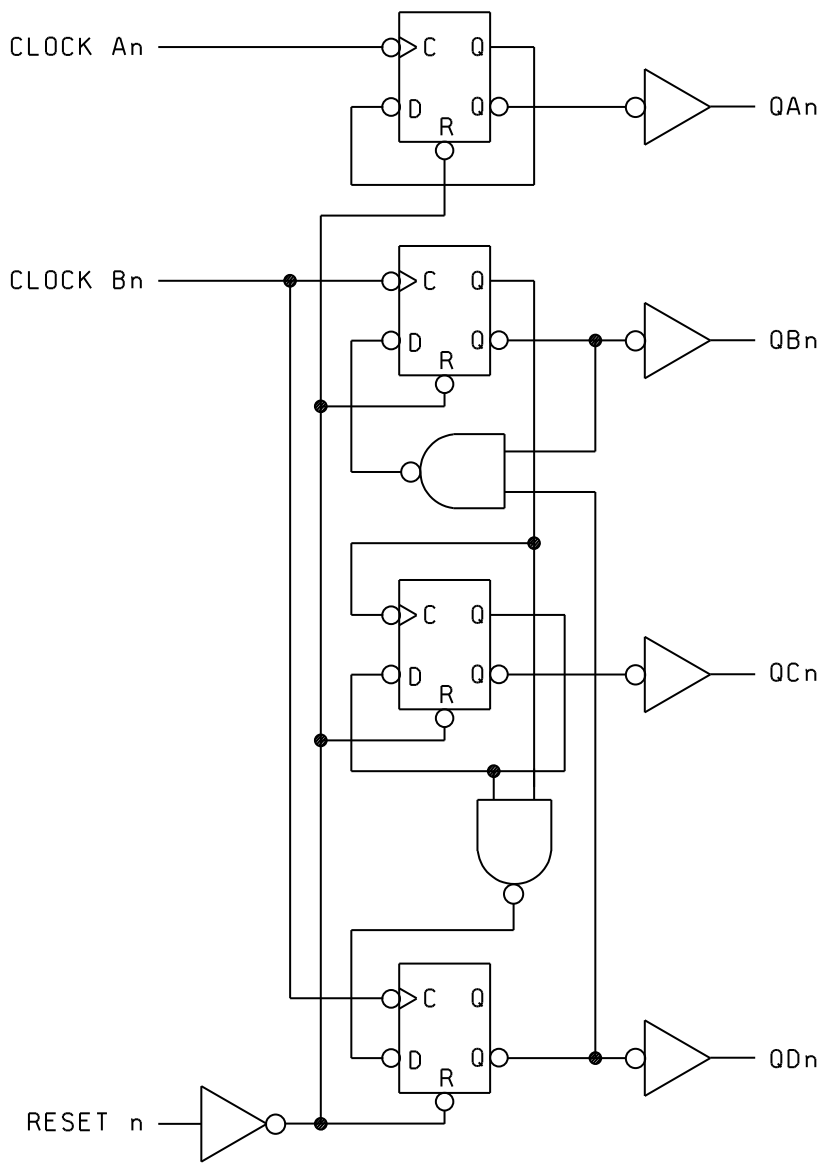
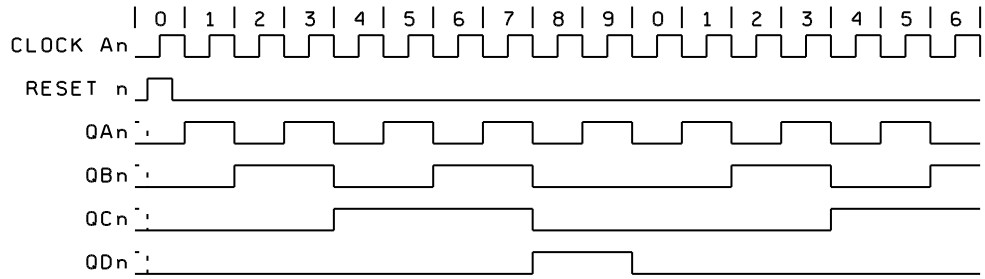


FIGURE 2. Logic diagram.

| | | | |
|--|------------------|----------------------------|-------------------|
| STANDARD MICROCIRCUIT DRAWING DLA LAND AND MARITIME COLUMBUS, OHIO 43218-3990 | SIZE A | | 86009 |
| | | REVISION LEVEL E | SHEET 9 |



BIQUINARY COUNT SEQUENCE**

BCD COUNT SEQUENCE*

| Count | Output | | | |
|-------|--------|-----|-----|-----|
| | QAn | QDn | QCn | QBn |
| 0 | L | L | L | L |
| 1 | L | L | L | H |
| 2 | L | L | H | L |
| 3 | L | L | H | H |
| 4 | L | H | L | L |
| 5 | H | L | L | L |
| 6 | H | L | L | H |
| 7 | H | L | H | L |
| 8 | H | L | H | H |
| 9 | H | H | L | L |

| Count | Output | | | |
|-------|--------|----|----|----|
| | QD | QC | QB | QA |
| 0 | L | L | L | L |
| 1 | L | L | L | H |
| 2 | L | L | H | L |
| 3 | L | L | H | H |
| 4 | L | H | L | L |
| 5 | L | H | L | H |
| 6 | L | H | H | L |
| 7 | L | H | H | H |
| 8 | H | L | L | L |
| 9 | H | L | L | H |

**Output QDn is connected to input clock A with counter input on clock Bn.

*Output QA is connected to clock B with counter input on clock An

FUNCTION TABLE

| CLOCK | | RESETn | ACTION |
|-------|----|--------|-------------------------------|
| An | Bn | | |
| X | X | H | Reset (÷2 and ÷5 counters) |
| ~ | X | L | Increment ÷2 |
| X | ~ | L | Increment ÷5 |

L = Low level voltage
H = High level voltage
~ = High to low transition of clock
X = Don't care

FIGURE 3. Truth table and counting sequence.

| | | | |
|--|------------------|----------------------------|--------------|
| STANDARD MICROCIRCUIT DRAWING DLA LAND AND MARITIME COLUMBUS, OHIO 43218-3990 | SIZE A | | 86009 |
| | | REVISION LEVEL E | SHEET 10 |

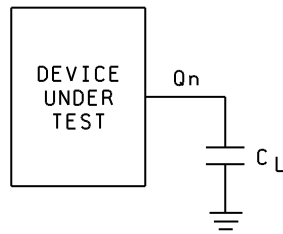
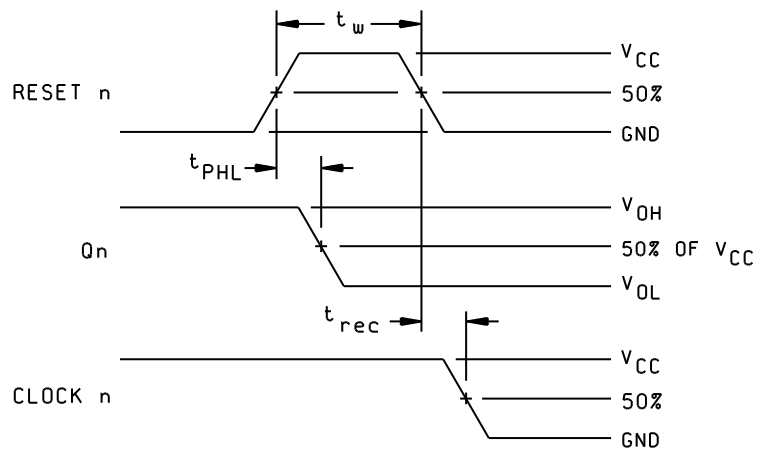
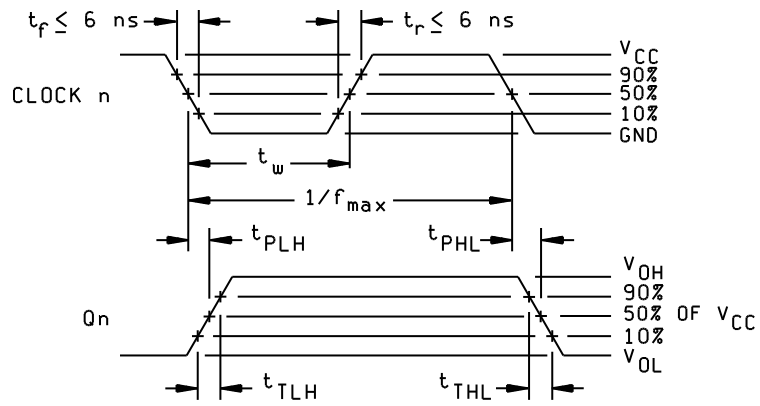


FIGURE 4. Switching waveforms

**STANDARD
MICROCIRCUIT DRAWING**
DLA LAND AND MARITIME
COLUMBUS, OHIO 43218-3990

SIZE
A

REVISION LEVEL
E

86009

SHEET
11

4. VERIFICATION

4.1 Sampling and inspection. Sampling and inspection procedures shall be in accordance with MIL-PRF-38535, appendix A.

4.2 Screening. Screening shall be in accordance with method 5004 of MIL-STD-883, and shall be conducted on all devices prior to quality conformance inspection. The following additional criteria shall apply:

- a. Burn-in test, method 1015 of MIL-STD-883.
 - (1) Test condition A, B, C or D. The test circuit shall be maintained by the manufacturer under document revision level control and shall be made available to the preparing or acquiring activity upon request. The test circuit shall specify the inputs, outputs, biases, and power dissipation, as applicable, in accordance with the intent specified in method 1015 of MIL-STD-883.
 - (2) $T_A = +125^{\circ}\text{C}$, minimum.
- b. Interim and final electrical test parameters shall be as specified in table II herein, except interim electrical parameter tests prior to burn-in are optional at the discretion of the manufacturer.

TABLE II. Electrical test requirements.

| MIL-STD-883 test requirements | Subgroups (in accordance with MIL-STD-883, method 5005, table I) |
|--|---|
| Interim electrical parameters (method 5004) | --- |
| Final electrical test parameters (method 5004) | 1*,2,3,9 |
| Group A test requirements (method 5005) | 1,2,3,7,8,9,10**,11** |
| Groups C and D end-point electrical parameters (method 5005) | 1,2,3 |

* PDA applies to subgroup 1.

** Subgroups 10 and 11 shall be guaranteed to the specified limits in the table I, if not tested.

4.3 Quality conformance inspection. Quality conformance inspection shall be in accordance with method 5005 of MIL-STD-883 including groups A, B, C, and D inspections. The following additional criteria shall apply.

4.3.1 Group A inspection.

- a. Tests shall be as specified in table II herein.
- b. Subgroups 5 and 6 in table I, method 5005 of MIL-STD-883 shall be omitted.
- c. Subgroup 4 (C_{IN} measurement) shall be measured only for the initial test and after process or design changes which may affect input capacitance.
- d. Subgroups 7 and 8 shall include verification of the truth table.

| | | | |
|--|------------------|----------------------------|--------------|
| STANDARD MICROCIRCUIT DRAWING DLA LAND AND MARITIME COLUMBUS, OHIO 43218-3990 | SIZE A | | 86009 |
| | | REVISION LEVEL E | SHEET 12 |

4.3.2 Groups C and D inspections.

- a. End-point electrical parameters shall be as specified in table II herein.
- b. Steady-state life test conditions, method 1005 of MIL-STD-883.
 - (1) Test condition A, B, C or D. The test circuit shall be maintained by the manufacturer under document revision level control and shall be made available to the preparing or acquiring activity upon request. The test circuit shall specify the inputs, outputs, biases, and power dissipation, as applicable, in accordance with the intent specified in method 1005 of MIL-STD-883.
 - (2) $T_A = +125^{\circ}\text{C}$, minimum.
 - (3) Test duration: 1,000 hours, except as permitted by method 1005 of MIL-STD-883.

5. PACKAGING

5.1 Packaging requirements. The requirements for packaging shall be in accordance with MIL-PRF-38535, appendix A.

6. NOTES

6.1 Intended use. Microcircuits conforming to this drawing are intended for use for Government microcircuit applications (original equipment), design applications, and logistics purposes.

6.2 Replaceability. Microcircuits covered by this drawing will replace the same generic device covered by a contractor-prepared specification or drawing.

6.3 Configuration control of SMD's. All proposed changes to existing SMD's will be coordinated with the users of record for the individual documents. This coordination will be accomplished using DD Form 1692, Engineering Change Proposal.

6.4 Record of users. Military and industrial users shall inform DLA Land and Maritime when a system application requires configuration control and the applicable SMD. DLA Land and Maritime will maintain a record of users and this list will be used for coordination and distribution of changes to the drawings. Users of drawings covering microelectronics devices (FSC 5962) should contact DLA Land and Maritime-VA, telephone (614) 692-8108.

6.5 Comments. Comments on this drawing should be directed to DLA Land and Maritime-VA, Columbus, Ohio 43218-3990, or telephone (614) 692-0547.

6.6 Approved sources of supply. Approved sources of supply are listed in MIL-HDBK-103. The vendors listed in MIL-HDBK-103 have agreed to this drawing and a certificate of compliance (see 3.6 herein) has been submitted to and accepted by DLA Land and Maritime-VA.

| | | | |
|--|------------------|----------------------------|--------------------|
| STANDARD MICROCIRCUIT DRAWING DLA LAND AND MARITIME COLUMBUS, OHIO 43218-3990 | SIZE A | | 86009 |
| | | REVISION LEVEL E | SHEET 13 |

STANDARD MICROCIRCUIT DRAWING BULLETIN

DATE: 16-03-23

Approved sources of supply for SMD 86009 are listed below for immediate acquisition information only and shall be added to MIL-HDBK-103 and QML-38535 during the next revision. MIL-HDBK-103 and QML-38535 will be revised to include the addition or deletion of sources. The vendors listed below have agreed to this drawing and a certificate of compliance has been submitted to and accepted by DLA Land and Maritime-VA. This information bulletin is superseded by the next dated revision of MIL-HDBK-103 and QML-38535. DLA Land and Maritime maintains an online database of all current sources of supply at <http://www.landandmaritime.dla.mil/Programs/Smcr/>.

| Standard microcircuit drawing PIN <u>1/</u> | Vendor CAGE number | Vendor similar PIN <u>2/</u> | Replacement military specification PIN |
|---|--------------------|------------------------------|--|
| 8600901EA | 3V146 | 54HC390/BEA | M38510/66308BEX |
| | <u>3/</u> | SNJ54HC390J | |
| | <u>3/</u> | 54HC390/BEAJC | |
| | <u>3/</u> | MM54HC390J/883 | |
| | <u>3/</u> | CD54HC390F/3A | |
| 86009012A | 3V146 | 54HC390/B2A | M38510/66308B2X |
| | <u>3/</u> | SNJ54HC390FK | |
| | <u>3/</u> | 54HC390M/B2CJC | |
| | <u>3/</u> | MM54HC390E/883 | |

1/ The lead finish shown for each PIN representing a hermetic package is the most readily available from the manufacturer listed for that part. If the desired lead finish is not listed, contact the vendor to determine its availability.

2/ **Caution.** Do not use this number for item acquisition. Items acquired to this number may not satisfy the performance requirements of this drawing.

3/ Not available from an approved source of supply.

Vendor CAGE
number

3V146

Vendor name
and address

Rochester Electronics Inc.
16 Malcolm Hoyt Drive
Newburyport, MA 01950

The information contained herein is disseminated for convenience only and the Government assumes no liability whatsoever for any inaccuracies in the information bulletin.