

National Semiconductor is now part of
Texas Instruments.

Search <http://www.ti.com/> for the latest technical
information and details on our current products and services.

LMC6062

Precision CMOS Dual Micropower Operational Amplifier

General Description

The LMC6062 is a precision dual low offset voltage, micropower operational amplifier, capable of precision single supply operation. Performance characteristics include ultra low input bias current, high voltage gain, rail-to-rail output swing, and an input common mode voltage range that includes ground. These features, plus its low power consumption, make the LMC6062 ideally suited for battery powered applications.

Other applications using the LMC6062 include precision full-wave rectifiers, integrators, references, sample-and-hold circuits, and true instrumentation amplifiers.

This device is built with National's advanced double-Poly Silicon-Gate CMOS process.

For designs that require higher speed, see the LMC6082 precision dual operational amplifier.

PATENT PENDING

Features

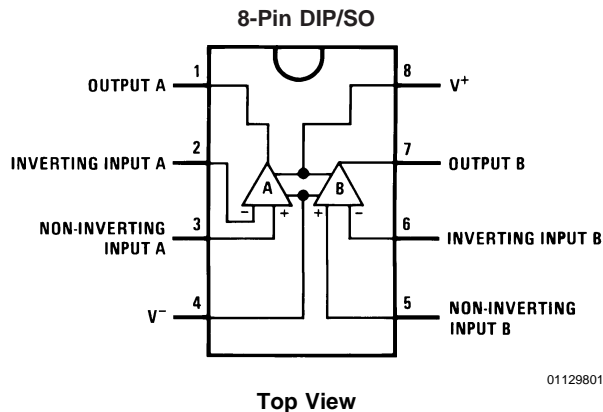
(Typical Unless Otherwise Noted)

- Low offset voltage 100 μ V
- Ultra low supply current 16 μ A/Amplifier
- Operates from 4.5V to 15V single supply
- Ultra low input bias current 10fA
- Output swing within 10mV of supply rail, 100k load
- Input common-mode range includes V^-
- High voltage gain 140dB
- Improved latchup immunity

Applications

- Instrumentation amplifier
- Photodiode and infrared detector preamplifier
- Transducer amplifiers
- Hand-held analytic instruments
- Medical instrumentation
- D/A converter
- Charge amplifier for piezoelectric transducers

Connection Diagram



Ordering Information

Package	Temperature Range		NSC Drawing	Transport Media
	Military -55°C to +125°C	Industrial -40°C to +85°C		
8-Pin Molded DIP	LMC6062AMN	LMC6062AIN LMC6062IN	N08E	Rail
8-Pin Small Outline		LMC6062AIM LMC6062IM	M08A	Rail
8-Pin Ceramic DIP	LMC6062AMJ/883		J08A	Rail

Absolute Maximum Ratings (Note 1)

If Military/Aerospace specified devices are required, please contact the National Semiconductor Sales Office/Distributors for availability and specifications.

Differential Input Voltage	±Supply Voltage
Voltage at Input/Output Pin	(V ⁺) +0.3V, (V ⁻) -0.3V
Supply Voltage (V ⁺ – V ⁻)	16V
Output Short Circuit to V ⁺	(Note 11)
Output Short Circuit to V ⁻	(Note 2)
Lead Temperature	
(Soldering, 10 sec.)	260°C
Storage Temp. Range	-65°C to +150°C
Junction Temperature	150°C
ESD Tolerance (Note 4)	2 kV

Current at Input Pin	±10 mA
Current at Output Pin	±30 mA
Current at Power Supply Pin	40 mA
Power Dissipation	(Note 3)

Operating Ratings (Note 1)

Temperature Range	
LMC6062AM	-55°C ≤ T _J ≤ +125°C
LMC6062AI, LMC6082I	-40°C ≤ T _J ≤ +85°C
Supply Voltage	4.5V ≤ V ⁺ ≤ 15.5V
Thermal Resistance (θ _{JA}) (Note 12)	
8-Pin Molded DIP	115°C/W
8-Pin SO	193°C/W
Power Dissipation	(Note 10)

DC Electrical Characteristics

Unless otherwise specified, all limits guaranteed for T_J = 25°C. **Boldface** limits apply at the temperature extremes. V⁺ = 5V, V⁻ = 0V, V_{CM} = 1.5V, V_O = 2.5V and R_L > 1M unless otherwise specified.

Symbol	Parameter	Conditions	Typ (Note 5)	LMC6062AM Limit (Note 6)	LMC6062AI Limit (Note 6)	LMC6062I Limit (Note 6)	Units
V _{OS}	Input Offset Voltage		100	350 1200	350 900	800 1300	µV Max
TCV _{OS}	Input Offset Voltage Average Drift		1.0				µV/°C
I _B	Input Bias Current		0.010	100	4	4	pA Max
I _{OS}	Input Offset Current		0.005	100	2	2	pA Max
R _{IN}	Input Resistance		>10				Tera Ω
CMRR	Common Mode Rejection Ratio	0V ≤ V _{CM} ≤ 12.0V V ⁺ = 15V	85	75 70	75 72	66 63	dB Min
+PSRR	Positive Power Supply Rejection Ratio	5V ≤ V ⁺ ≤ 15V V _O = 2.5V	85	75 70	75 72	66 63	dB Min
-PSRR	Negative Power Supply Rejection Ratio	0V ≤ V ⁻ ≤ -10V	100	84 70	84 81	74 71	dB Min
V _{CM}	Input Common-Mode Voltage Range	V ⁺ = 5V and 15V for CMRR ≥ 60 dB	-0.4	-0.1 0	-0.1 0	-0.1 0	V Max
			V ⁺ – 1.9	V ⁺ – 2.3 V⁺ – 2.6	V ⁺ – 2.3 V⁺ – 2.5	V ⁺ – 2.3 V⁺ – 2.5	V Min
A _V	Large Signal Voltage Gain	R _L = 100 kΩ (Note 7)					
			Sourcing	4000 200	400 300	400 200	300 200 V/mV Min
			Sinking	3000 70	180 100	180 60	90 60 V/mV Min
		R _L = 25 kΩ (Note 7)					
			Sourcing	3000 150	400 150	400 80	200 80 V/mV Min
			Sinking	2000 35	100 50	100 35	70 35 V/mV Min

DC Electrical Characteristics (Continued)

Unless otherwise specified, all limits guaranteed for $T_J = 25^\circ\text{C}$. **Boldface** limits apply at the temperature extremes. $V^+ = 5\text{V}$, $V^- = 0\text{V}$, $V_{\text{CM}} = 1.5\text{V}$, $V_O = 2.5\text{V}$ and $R_L > 1\text{M}$ unless otherwise specified.

Symbol	Parameter	Conditions	Typ (Note 5)	LMC6062AM Limit (Note 6)	LMC6062AI Limit (Note 6)	LMC6062I Limit (Note 6)	Units		
V_O	Output Swing	$V^+ = 5\text{V}$ $R_L = 100\text{ k}\Omega$ to 2.5V	4.995	4.990	4.990	4.950	V Min		
			0.005	0.010	0.010	0.050	V Max		
		$V^+ = 5\text{V}$ $R_L = 25\text{ k}\Omega$ to 2.5V	4.990	4.975	4.975	4.950	V Min		
			0.010	0.020	0.020	0.050	V Max		
		$V^+ = 15\text{V}$ $R_L = 100\text{ k}\Omega$ to 7.5V	14.990	14.975	14.975	14.950	V Min		
			0.010	0.025	0.025	0.050	V Max		
		$V^+ = 15\text{V}$ $R_L = 25\text{ k}\Omega$ to 7.5V	14.965	14.900	14.900	14.850	V Min		
			0.025	0.050	0.050	0.100	V Max		
		I_O	Output Current $V^+ = 5\text{V}$	Sourcing, $V_O = 0\text{V}$	22	16 8	16 10	13 8	mA Min
				Sinking, $V_O = 5\text{V}$	21	16 7	16 8	16 8	mA Min
		I_O	Output Current $V^+ = 15\text{V}$	Sourcing, $V_O = 0\text{V}$	25	15 9	15 10	15 10	mA Min
				Sinking, $V_O = 13\text{V}$ (Note 11)	35	20 7	20 8	20 8	mA Min
I_S	Supply Current	Both Amplifiers $V^+ = +5\text{V}$, $V_O = 1.5\text{V}$	32	38 60	38 46	46 56	μA Max		
		Both Amplifiers $V^+ = +15\text{V}$, $V_O = 7.5\text{V}$	40	47 70	47 55	57 66	μA Max		

AC Electrical Characteristics

Unless otherwise specified, all limits guaranteed for $T_J = 25^\circ\text{C}$, **Boldface** limits apply at the temperature extremes. $V^+ = 5\text{V}$, $V^- = 0\text{V}$, $V_{\text{CM}} = 1.5\text{V}$, $V_O = 2.5\text{V}$ and $R_L > 1\text{M}$ unless otherwise specified.

Symbol	Parameter	Conditions	Typ (Note 5)	LMC6062AM Limit (Note 6)	LMC6062AI Limit (Note 6)	LMC6062I Limit (Note 6)	Units
SR	Slew Rate	(Note 8)	35	20 8	20 10	15 7	V/ms Min
GBW	Gain-Bandwidth Product		100				kHz
θ_m	Phase Margin		50				Deg
	Amp-to-Amp Isolation	(Note 9)	155				dB
e_n	Input-Referred Voltage Noise	$F = 1\text{ kHz}$	83				$\text{nV}/\sqrt{\text{Hz}}$
i_n	Input-Referred Current Noise	$F = 1\text{ kHz}$	0.0002				$\text{pA}/\sqrt{\text{Hz}}$
T.H.D.	Total Harmonic Distortion	$F = 1\text{ kHz}$, $A_V = -5$ $R_L = 100\text{ k}\Omega$, $V_O = 2 V_{\text{PP}}$ $\pm 5\text{V}$ Supply	0.01				%

Note 1: Absolute Maximum Ratings indicate limits beyond which damage to the device may occur. Operating Ratings indicate conditions for which the device is intended to be functional, but do not guarantee specific performance limits. For guaranteed specifications and test conditions, see the Electrical Characteristics. The guaranteed specifications apply only for the test conditions listed.

Note 2: Applies to both single-supply and split-supply operation. Continuous short circuit operation at elevated ambient temperature can result in exceeding the maximum allowed junction temperature of 150°C . Output currents in excess of $\pm 30\text{ mA}$ over long term may adversely affect reliability.

Note 3: The maximum power dissipation is a function of $T_{\text{J}(\text{Max})}$, θ_{JA} , and T_A . The maximum allowable power dissipation at any ambient temperature is $P_D = (T_{\text{J}(\text{Max})} - T_A)/\theta_{\text{JA}}$.

Note 4: Human body model, $1.5\text{ k}\Omega$ in series with 100 pF .

Note 5: Typical values represent the most likely parametric norm.

Note 6: All limits are guaranteed by testing or statistical analysis.

Note 7: $V^+ = 15\text{V}$, $V_{\text{CM}} = 7.5\text{V}$ and R_L connected to 7.5V . For Sourcing tests, $7.5\text{V} \leq V_O \leq 11.5\text{V}$. For Sinking tests, $2.5\text{V} \leq V_O \leq 7.5\text{V}$.

Note 8: $V^+ = 15\text{V}$. Connected as Voltage Follower with 10V step input. Number specified is the slower of the positive and negative slew rates.

Note 9: Input referred $V^+ = 15\text{V}$ and $R_L = 100\text{ k}\Omega$ connected to 7.5V . Each amp excited in turn with 100 Hz to produce $V_O = 12 V_{\text{PP}}$.

Note 10: For operating at elevated temperatures the device must be derated based on the thermal resistance θ_{JA} with $P_D = (T_J - T_A)/\theta_{\text{JA}}$.

Note 11: Do not connect output to V^+ , when V^+ is greater than 13V or reliability will be adversely affected.

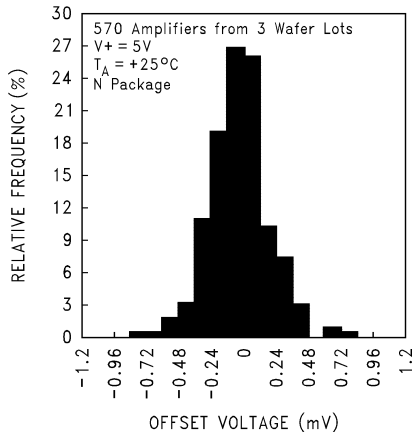
Note 12: All numbers apply for packages soldered directly into a PC board.

Note 13: For guaranteed Military Temperature Range parameters, see RETSMC6062X.

Typical Performance Characteristics

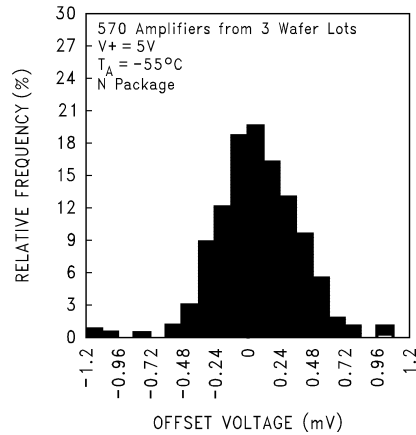
$V_S = \pm 7.5V$, $T_A = 25^\circ C$, Unless otherwise specified

Distribution of LMC6062 Input Offset Voltage
($T_A = +25^\circ C$)



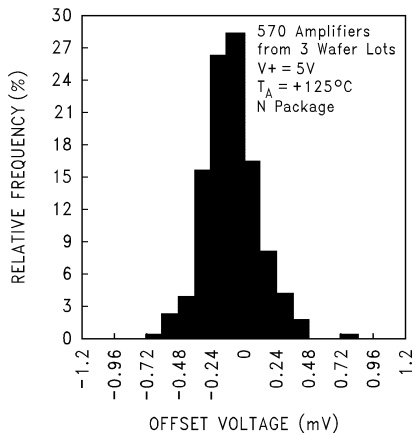
01129815

Distribution of LMC6062 Input Offset Voltage
($T_A = -55^\circ C$)



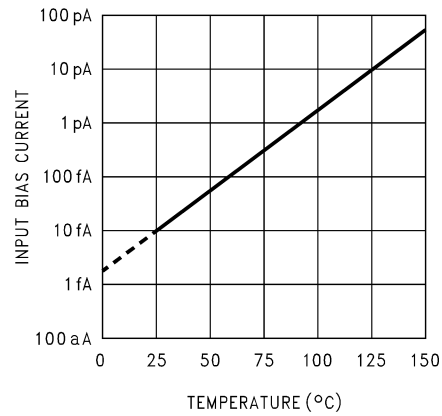
01129816

Distribution of LMC6062 Input Offset Voltage
($T_A = +125^\circ C$)



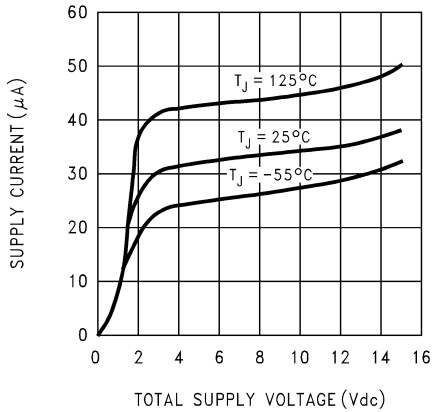
01129817

Input Bias Current vs. Temperature



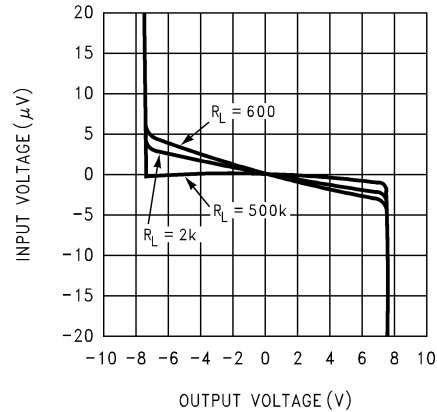
01129818

Supply Current vs. Supply Voltage



01129819

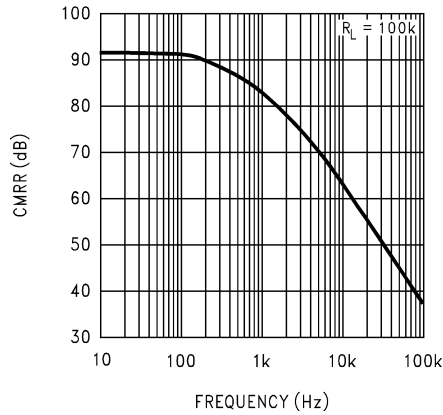
Input Voltage vs. Output Voltage



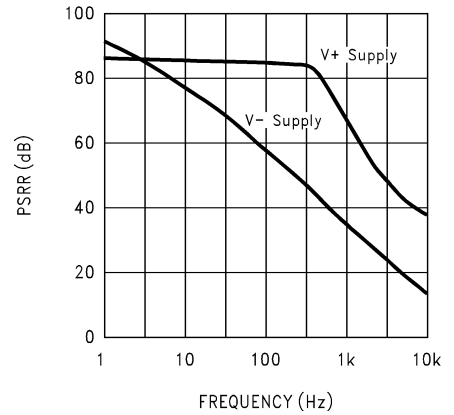
01129820

Typical Performance Characteristics $V_S = \pm 7.5V$, $T_A = 25^\circ C$, Unless otherwise specified (Continued)

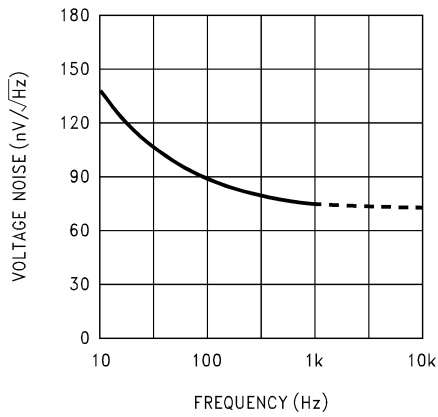
Common Mode Rejection Ratio vs. Frequency



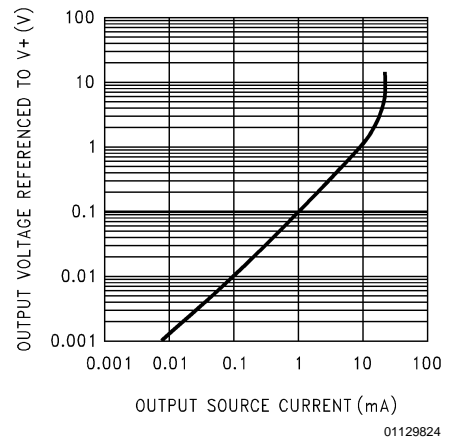
Power Supply Rejection Ratio vs. Frequency



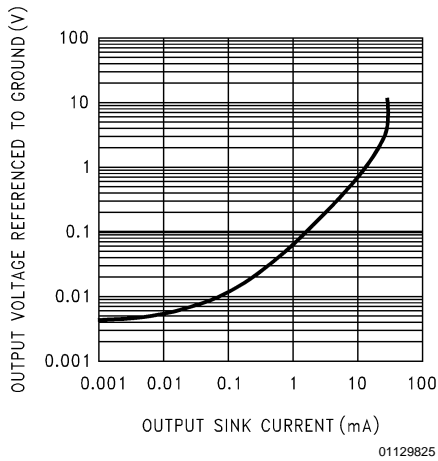
Input Voltage Noise vs. Frequency



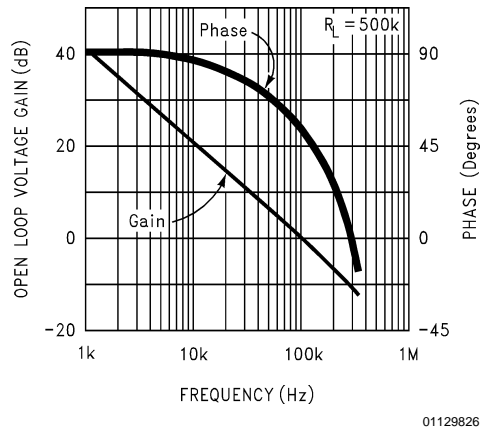
Output Characteristics Sourcing Current



Output Characteristics Sinking Current



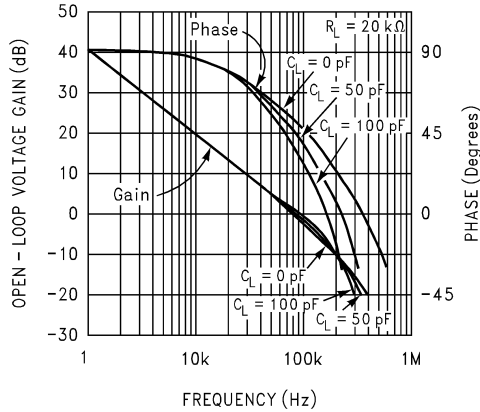
Gain and Phase Response vs. Temperature (-55°C to +125°C)



Typical Performance Characteristics

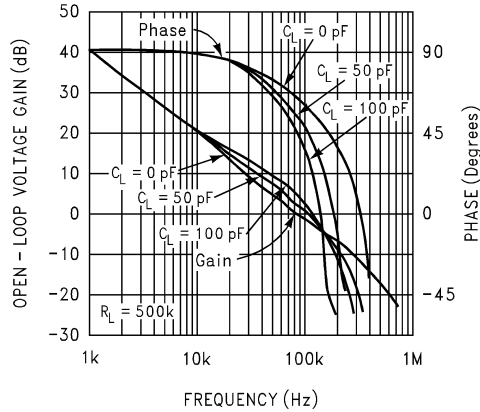
$V_S = \pm 7.5V$, $T_A = 25^\circ C$, Unless otherwise specified (Continued)

Gain and Phase Response vs. Capacitive Load with $R_L = 20\text{ k}\Omega$



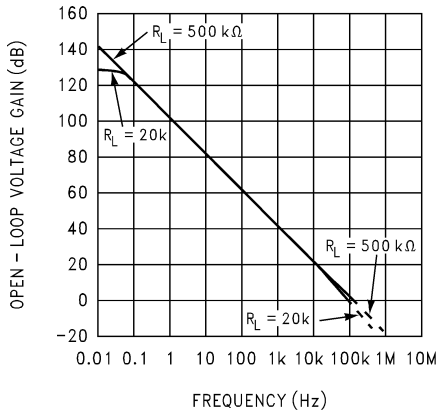
01129827

Gain and Phase Response vs. Capacitive Load with $R_L = 500\text{ k}\Omega$



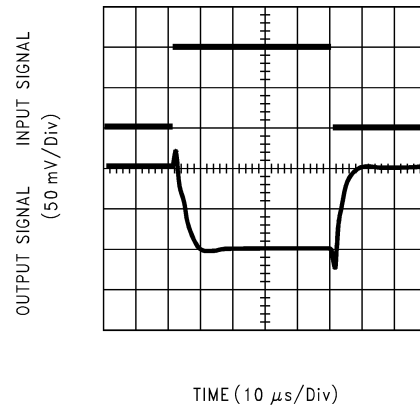
01129828

Open Loop Frequency Response



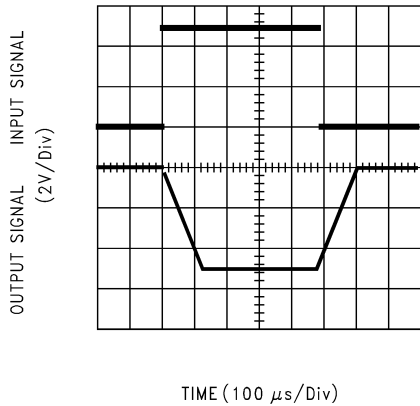
01129829

Inverting Small Signal Pulse Response



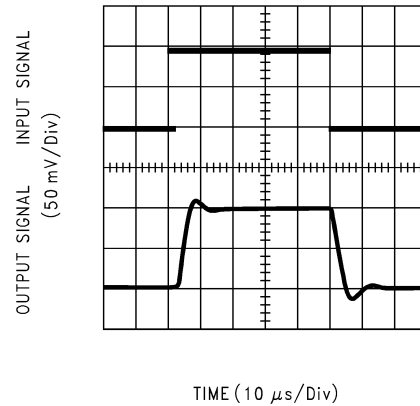
01129830

Inverting Large Signal Pulse Response



01129831

Non-Inverting Small Signal Pulse Response

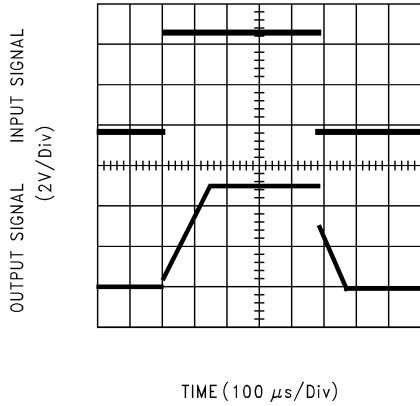


01129832

Typical Performance Characteristics

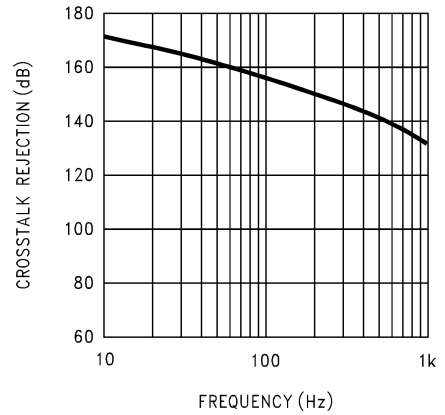
$V_S = \pm 7.5V$, $T_A = 25^\circ C$, Unless otherwise specified (Continued)

Non-Inverting Large Signal Pulse Response



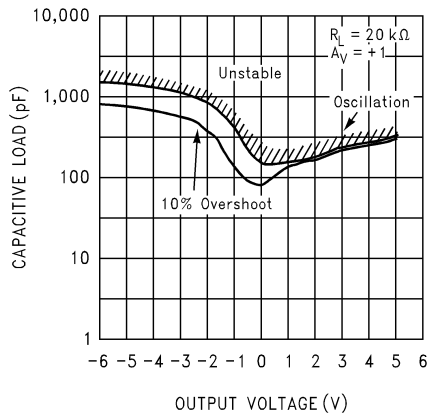
01129833

Crosstalk Rejection vs. Frequency



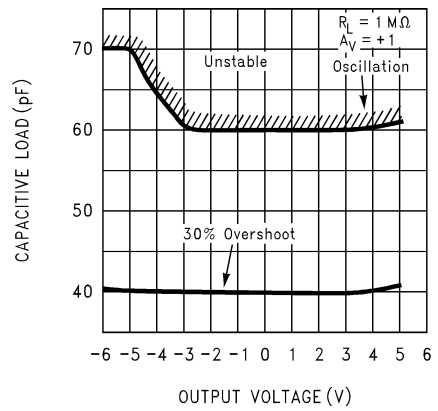
01129834

Stability vs. Capacitive Load, $R_L = 20\text{ k}\Omega$



01129835

Stability vs. Capacitive Load $R_L = 1\text{ M}\Omega$



01129836

Applications Hints

AMPLIFIER TOPOLOGY

The LMC6062 incorporates a novel op-amp design topology that enables it to maintain rail-to-rail output swing even when driving a large load. Instead of relying on a push-pull unity gain output buffer stage, the output stage is taken directly from the internal integrator, which provides both low output impedance and large gain. Special feed forward compensation design techniques are incorporated to maintain stability over a wider range of operating conditions than traditional micropower op amps. These features make the LMC6062 both easier to design with, and provide higher speed than products typically found in this ultra low power class.

COMPENSATING FOR INPUT CAPACITANCE

It is quite common to use large values of feedback resistance for amplifiers with ultra-low input current, like the LMC6062.

Although the LMC6062 is highly stable over a wide range of operating conditions, certain precautions must be met to achieve the desired pulse response when a large feedback resistor is used. Large feedback resistors and even small values of input capacitance, due to transducers, photodiodes, and circuit board parasitics, reduce phase margins.

When high input impedances are demanded, guarding of the LMC6062 is suggested. Guarding input lines will not only reduce leakage, but lowers stray input capacitance as well. (See *Printed-Circuit-Board Layout for High Impedance Work*).

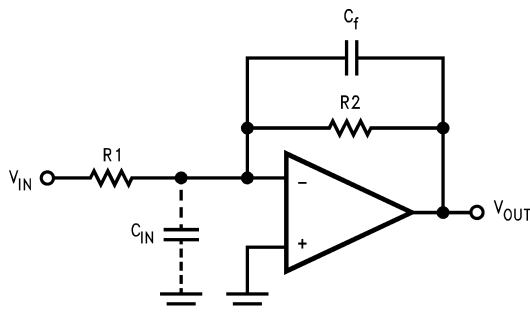
The effect of input capacitance can be compensated for by adding a capacitor. Place a capacitor, C_f , around the feedback resistor (as in *Figure 1*) such that:

$$\frac{1}{2\pi R_1 C_{IN}} \geq \frac{1}{2\pi R_2 C_f}$$

or

$$R_1 C_{IN} \leq R_2 C_f$$

Since it is often difficult to know the exact value of C_{IN} , C_f can be experimentally adjusted so that the desired pulse response is achieved. Refer to the LMC660 and the LMC662 for a more detailed discussion on compensating for input capacitance.



01129804

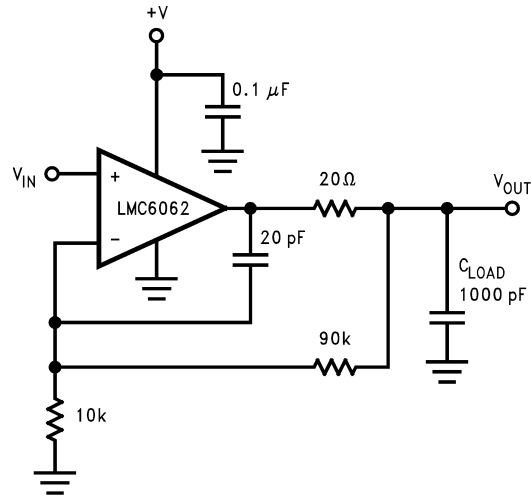
FIGURE 1. Canceling the Effect of Input Capacitance

CAPACITIVE LOAD TOLERANCE

All rail-to-rail output swing operational amplifiers have voltage gain in the output stage. A compensation capacitor is normally included in this integrator stage. The frequency

location of the dominate pole is affected by the resistive load on the amplifier. Capacitive load driving capability can be optimized by using an appropriate resistive load in parallel with the capacitive load (see typical curves).

Direct capacitive loading will reduce the phase margin of many op-amps. A pole in the feedback loop is created by the combination of the op-amp's output impedance and the capacitive load. This pole induces phase lag at the unity-gain crossover frequency of the amplifier resulting in either an oscillatory or underdamped pulse response. With a few external components, op amps can easily indirectly drive capacitive loads, as shown in *Figure 2*.

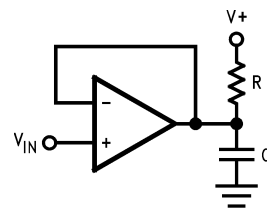


01129805

FIGURE 2. LMC6062 Noninverting Gain of 10 Amplifier, Compensated to Handle Capacitive Loads

In the circuit of *Figure 2*, R_1 and C_1 serve to counteract the loss of phase margin by feeding the high frequency component of the output signal back to the amplifier's inverting input, thereby preserving phase margin in the overall feedback loop.

Capacitive load driving capability is enhanced by using a pull up resistor to V^+ (*Figure 3*). Typically a pull up resistor conducting 10 μA or more will significantly improve capacitive load responses. The value of the pull up resistor must be determined based on the current sinking capability of the amplifier with respect to the desired output swing. Open loop gain of the amplifier can also be affected by the pull up resistor (see Electrical Characteristics).



01129814

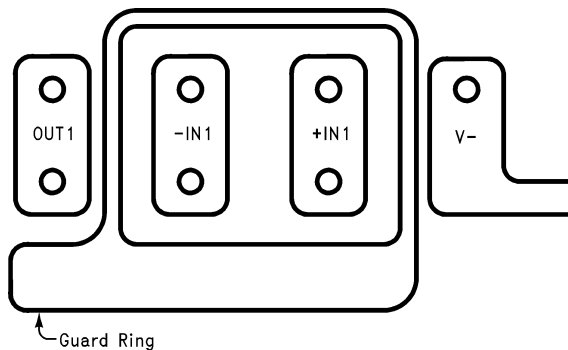
FIGURE 3. Compensating for Large Capacitive Loads with a Pull Up Resistor

Applications Hints (Continued)

PRINTED-CIRCUIT-BOARD LAYOUT FOR HIGH-IMPEDANCE WORK

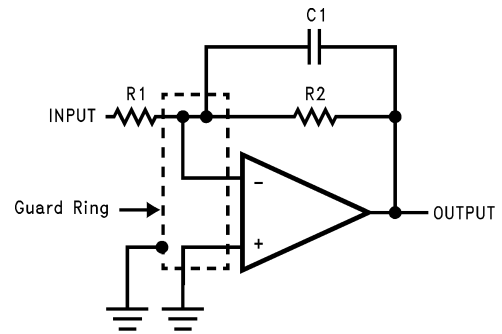
It is generally recognized that any circuit which must operate with less than 1000 pA of leakage current requires special layout of the PC board. When one wishes to take advantage of the ultra-low bias current of the LMC6062, typically less than 10 fA, it is essential to have an excellent layout. Fortunately, the techniques of obtaining low leakages are quite simple. First, the user must not ignore the surface leakage of the PC board, even though it may sometimes appear acceptably low, because under conditions of high humidity or dust or contamination, the surface leakage will be appreciable.

To minimize the effect of any surface leakage, lay out a ring of foil completely surrounding the LMC6062's inputs and the terminals of capacitors, diodes, conductors, resistors, relay terminals etc. connected to the op-amp's inputs, as in *Figure 4*. To have a significant effect, guard rings should be placed on both the top and bottom of the PC board. This PC foil must then be connected to a voltage which is at the same voltage as the amplifier inputs, since no leakage current can flow between two points at the same potential. For example, a PC board trace-to-pad resistance of $10^{12}\Omega$, which is normally considered a very large resistance, could leak 5 pA if the trace were a 5V bus adjacent to the pad of the input. This would cause a 100 times degradation from the LMC6062's actual performance. However, if a guard ring is held within 5 mV of the inputs, then even a resistance of $10^{11}\Omega$ would cause only 0.05 pA of leakage current. See *Figure 5* for typical connections of guard rings for standard op-amp configurations.



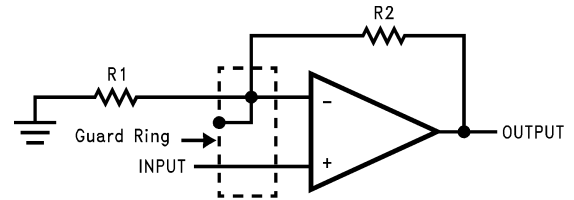
01129806

FIGURE 4. Example of Guard Ring in P.C. Board Layout



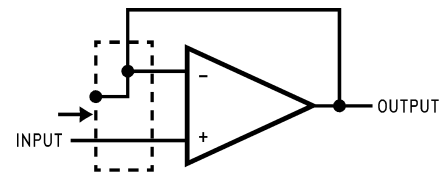
01129807

(a) Inverting Amplifier



01129808

(b) Non-Inverting Amplifier



01129809

(c) Follower

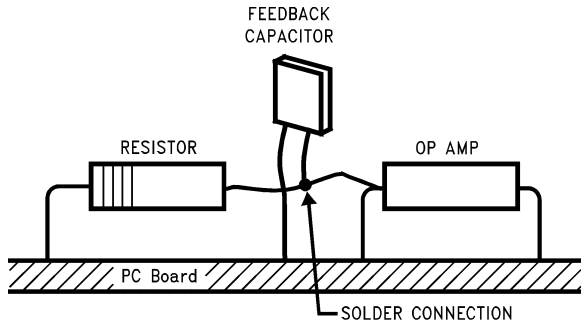
FIGURE 5. Typical Connections of Guard Rings

The designer should be aware that when it is inappropriate to lay out a PC board for the sake of just a few circuits, there is another technique which is even better than a guard ring on a PC board: Don't insert the amplifier's input pin into the board at all, but bend it up in the air and use only air as an insulator. Air is an excellent insulator. In this case you may have to forego some of the advantages of PC board construction, but the advantages are sometimes well worth the effort of using point-to-point up-in-the-air wiring. See *Figure 6*.

Latchup

CMOS devices tend to be susceptible to latchup due to their internal parasitic SCR effects. The (I/O) input and output pins look similar to the gate of the SCR. There is a minimum current required to trigger the SCR gate lead. The LMC6062 and LMC6082 are designed to withstand 100 mA surge current on the I/O pins. Some resistive method should be used to isolate any capacitance from supplying excess current to the I/O pins. In addition, like an SCR, there is a minimum holding current for any latchup mode. Limiting current to the supply pins will also inhibit latchup susceptibility.

Latchup (Continued)



01129810

(Input pins are lifted out of PC board and soldered directly to components. All other pins connected to PC board).

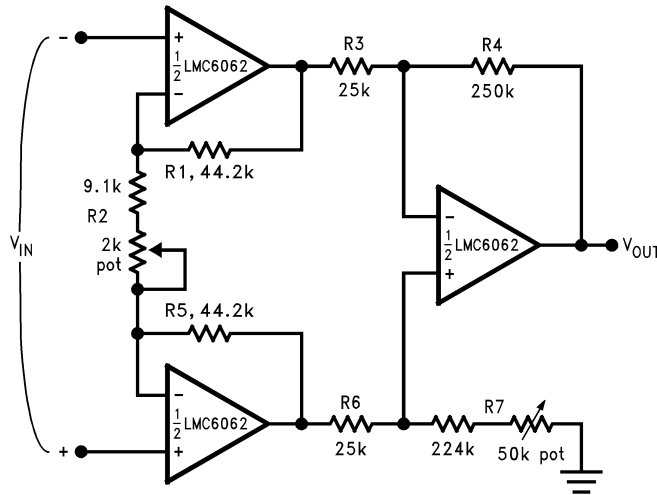
FIGURE 6. Air Wiring

Typical Single-Supply Applications

($V^+ = 5.0 V_{DC}$)

The extremely high input impedance, and low power consumption, of the LMC6062 make it ideal for applications that require battery-powered instrumentation amplifiers. Examples of these types of applications are hand-held pH probes, analytic medical instruments, magnetic field detectors, gas detectors, and silicon based pressure transducers.

Figure 7 shows an instrumentation amplifier that features high differential and common mode input resistance ($>10^{14}\Omega$), 0.01% gain accuracy at $A_V = 100$, excellent CMRR with 1 k Ω imbalance in bridge source resistance. Input current is less than 100 fA and offset drift is less than 2.5 $\mu V/^{\circ}C$. R_2 provides a simple means of adjusting gain over a wide range without degrading CMRR. R_7 is an initial trim used to maximize CMRR without using super precision matched resistors. For good CMRR over temperature, low drift resistors should be used.



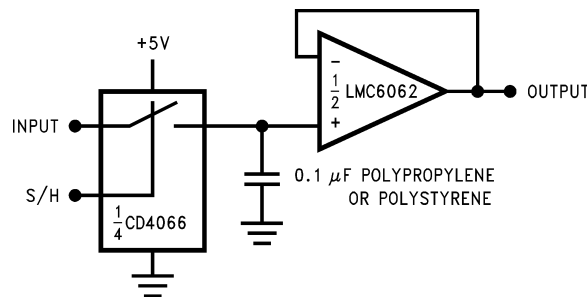
01129811

If $R_1 = R_5$, $R_3 = R_6$, and $R_4 = R_7$; then

$$\frac{V_{OUT}}{V_{IN}} = \frac{R_2 + 2R_1}{R_2} \times \frac{R_4}{R_3}$$

$\therefore A_V \approx 100$ for circuit shown ($R_2 = 9.822k$).

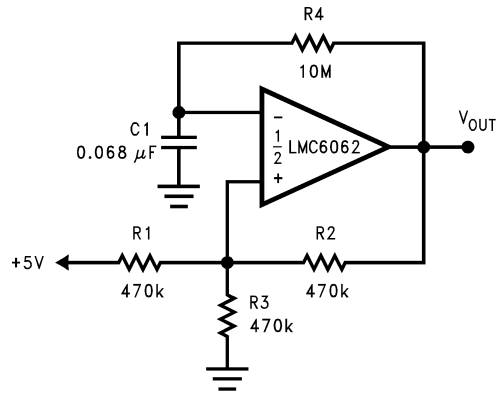
FIGURE 7. Instrumentation Amplifier



01129812

FIGURE 8. Low-Leakage Sample and Hold

Typical Single-Supply Applications (Continued)

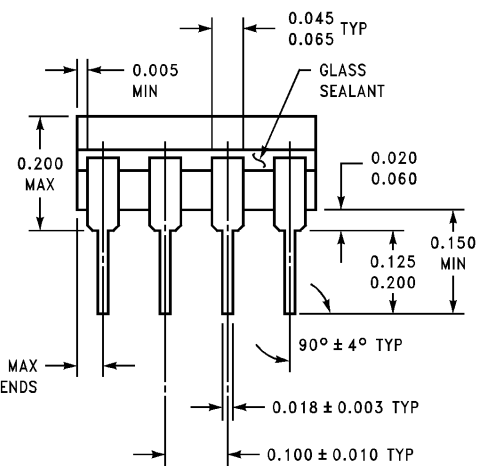
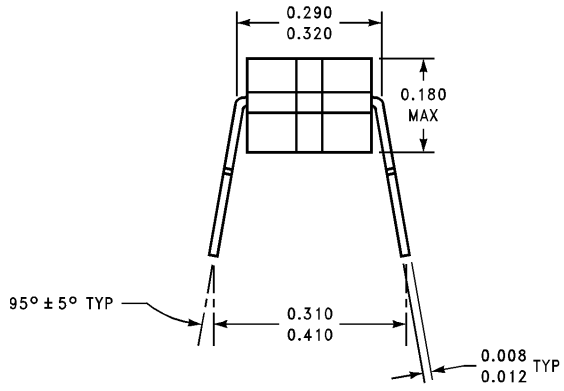
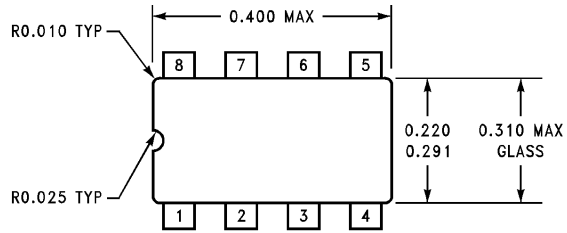


01129813

FIGURE 9. 1 Hz Square Wave Oscillator

Physical Dimensions inches (millimeters)

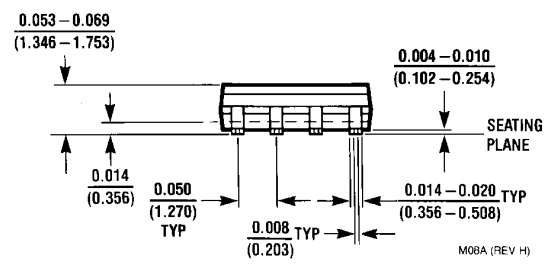
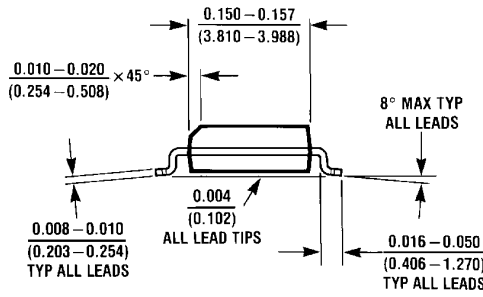
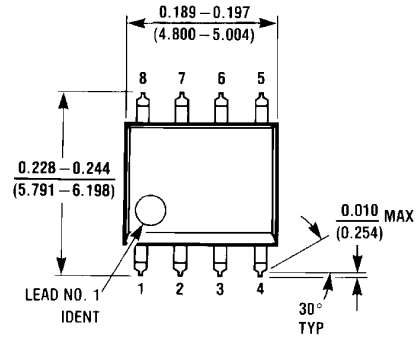
unless otherwise noted



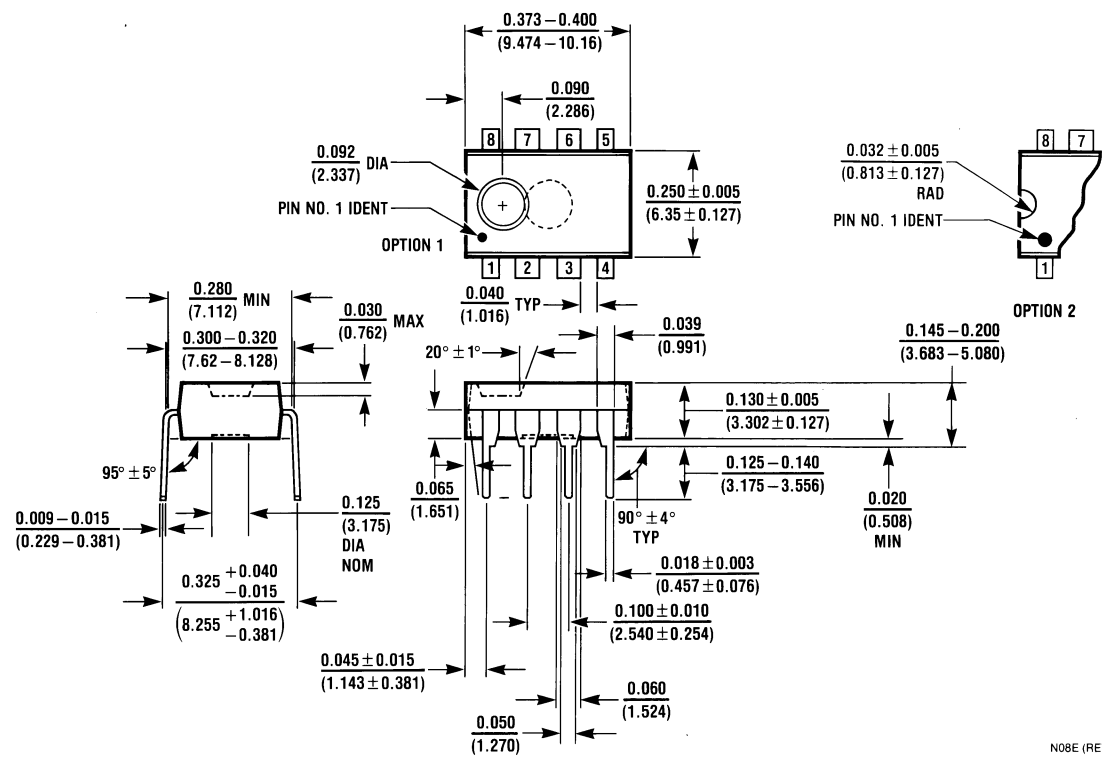
8-Pin Ceramic Dual-In-Line Package
Order Number LMC6062AMJ/883
NS Package Number J08A

J08A (REV K)

Physical Dimensions inches (millimeters) unless otherwise noted (Continued)



8-Pin Small Outline Package
Order Number LMC6062AIM or LMC6062IM
NS Package Number M08A



8-Pin Molded Dual-In-Line Package
Order Number LMC6062AIN, LMC6062AMN or LMC6062IN
NS Package Number N08E

Notes

LIFE SUPPORT POLICY

NATIONAL'S PRODUCTS ARE NOT AUTHORIZED FOR USE AS CRITICAL COMPONENTS IN LIFE SUPPORT DEVICES OR SYSTEMS WITHOUT THE EXPRESS WRITTEN APPROVAL OF THE PRESIDENT AND GENERAL COUNSEL OF NATIONAL SEMICONDUCTOR CORPORATION. As used herein:

1. Life support devices or systems are devices or systems which, (a) are intended for surgical implant into the body, or (b) support or sustain life, and whose failure to perform when properly used in accordance with instructions for use provided in the labeling, can be reasonably expected to result in a significant injury to the user.
2. A critical component is any component of a life support device or system whose failure to perform can be reasonably expected to cause the failure of the life support device or system, or to affect its safety or effectiveness.



National Semiconductor Corporation
Americas
Tel: 1-800-272-9959
Fax: 1-800-737-7018
Email: support@nsc.com
www.national.com

National Semiconductor Europe
Fax: +49 (0) 180-530 85 86
Email: europe.support@nsc.com
Deutsch Tel: +49 (0) 69 9508 6208
English Tel: +44 (0) 870 24 0 2171
Français Tel: +33 (0) 1 41 91 8790

National Semiconductor Asia Pacific Customer Response Group
Tel: 65-2544466
Fax: 65-2504466
Email: ap.support@nsc.com

National Semiconductor Japan Ltd.
Tel: 81-3-5639-7560
Fax: 81-3-5639-7507

See A/D Converters Products

[Products](#) > [Analog - Amplifiers](#) > [Operational Amplifiers](#) > [Micropower](#) > LMC6062

LMC6062 Product Folder

Precision CMOS Dual Micropower Operational Amplifier

[General Description](#)

[Features](#)

[Datasheet](#)

[Package & Models](#)

[Samples & Pricing](#)

[Design Tools](#)

[Application Notes](#)

Parametric Table

Channels (Channels)	2
Input Output Type	Vcm to V-, R-R Out
Bandwidth, typ (MHz)	.10
Slew Rate, typ (Volts/usec)	.0350
Supply Current per Channel, typ (mA)	.0160
Minimum Supply Voltage (Volt)	4.50

Parametric Table

Maximum Supply Voltage (Volt)	15
Offset Voltage, Max (mV)	.35, .80
Input Bias Current, Temp Max (nA)	.10, .0040
Output Current, typ (mA)	21
Voltage Noise, typ (nV/Hz)	83
Shut down	No
Special Features	-

Datasheet

Title	Size in Kbytes	Date	View Online	Download	Receive via Email
LMC6062 Precision CMOS Dual Micropower Operational Amplifier	336 Kbytes	2-Mar-01	View Online	Download	Receive via Email
LMC6062 Precision CMOS Dual Micropower Operational Amplifier (JAPANESE)	445 Kbytes		View	Download	Receive via Email
LMC6062 Mil-Aero Datasheet MNL6062AM-X	58 Kbytes		View Online	Download	Receive via Email

If you have trouble printing or viewing PDF file(s), see [Printing Problems](#).

Package Availability, Models, Samples & Pricing

Part Number	Package			Status	Models		Samples & Electronic Orders	Budgetary Pricing		Std Pack Size	Package Marking
	Type	Pins	MSL		SPICE	IBIS		Qty	\$US each		
LMC6062AIM	SOIC NARROW	8	MSL	Full production	LMC6062A.MOD	N/A	24 Hour Samples Buy Now	1K+	\$1.3000	rail of 95	[logo]¢2¢T LMC6062AIM

LMC6062IM	SOIC NARROW	8	MSL	Full production	N/A	N/A	24 Hour Samples Buy Now	1K+	\$0.9100	rail of 95	[logo]ç2çT LMC6062IM
LMC6062AIMX	SOIC NARROW	8	MSL	Full production	LMC6062A.MOD	N/A	Buy Now	1K+	\$1.3000	reel of 2500	[logo]ç2çT LMC6062AIMX
LMC6062IMX	SOIC NARROW	8	MSL	Full production	N/A	N/A	Buy Now	1K+	\$0.9100	reel of 2500	[logo]ç2çT LMC6062IMX
LMC6062AIN	MDIP	8	MSL	Full production	LMC6062A.MOD	N/A	Samples Buy Now	1K+	\$1.3700	rail of 40	[logo]çUçZç2çT LMC6062AIN
LMC6062IN	MDIP	8	MSL	Full production	N/A	N/A	24 Hour Samples Buy Now	1K+	\$0.9800	rail of 40	[logo]çUçZç2çT LMC6062IN
LMC6062AMJ/883	CERDIP	8	MSL	Full production	LMC6062A.MOD	N/A		50+	\$16.4000	rail of 40	[logo]çZçSç4çAç\$E LMC6062AMJ/883Q 5962-9209403MPA
LMC6062AI MDC	Die			Full production	LMC6062A.MOD	N/A	Samples			tray of N/A	-
LMC6062I MDC	Die			Full production	N/A	N/A	Samples			tray of N/A	-
LMC6062AI MWC	Wafer			Full production	LMC6062A.MOD	N/A				wafer jar of N/A	-
LMC6062I MWC	Wafer			Full production	N/A	N/A				wafer jar of N/A	-

General Description

The LMC6062 is a precision dual low offset voltage, micropower operational amplifier, capable of precision single supply operation. Performance characteristics include ultra low input bias current, high voltage gain, rail-to-rail output swing, and an input common mode voltage range that includes ground. These features, plus its low power consumption, make the LMC6062 ideally suited for battery powered applications.

Other applications using the LMC6062 include precision full-wave rectifiers, integrators, references, sample-and-hold circuits, and true instrumentation amplifiers.

This device is built with National's advanced double-Poly Silicon-Gate CMOS process.

For designs that require higher speed, see the LMC6082 precision dual operational amplifier.

PATENT PENDING

Features

(Typical Unless Otherwise Noted)

- Low offset voltage 100 μ V
- Ultra low supply current 16 μ A/Amplifier
- Operates from 4.5V to 15V single supply
- Ultra low input bias current 10fA
- Output swing within 10mV of supply rail, 100k load
- Input common-mode range includes V⁻
- High voltage gain 140dB
- Improved latchup immunity

Applications

- Instrumentation amplifier
- Photodiode and infrared detector preamplifier
- Transducer amplifiers
- Hand-held analytic instruments
- Medical instrumentation
- D/A converter
- Charge amplifier for piezoelectric transducers

Design Tools

Title	Size in Kbytes	Date	<input type="checkbox"/> View Online	<input type="checkbox"/> Download	<input type="checkbox"/> Receive via Email
Amplifiers Selection Guide software for Windows	7 Kbytes	12-Jun-2002	View		

If you have trouble printing or viewing PDF file(s), see [Printing Problems](#).

Application Notes

Title	Size in Kbytes	Date	<input type="checkbox"/> View Online	<input type="checkbox"/> Download	<input type="checkbox"/> Receive via Email
AN-856: A SPICE Compatible Macromodel for CMOS Operational Amplifiers	105 Kbytes	5-Aug-95	View Online	Download	Receive via Email

If you have trouble printing or viewing PDF file(s), see [Printing Problems](#).

[Information as of 9-Aug-2002]

[Search](#)

[Design](#)

[Purchasing](#)

[Quality](#)

[Company](#)

[Home](#)

[About Languages](#) . [Website Guide](#) . [About "Cookies"](#) . National is [QS 9000 Certified](#) . [Privacy/Security Statement](#) . [Contact Us](#) . [Site Terms & Conditions of Use](#) . Copyright 2002 © National Semiconductor Corporation . [My Preferences](#) . [Feedback](#)