

# 18-Line 3-5 Volt SCSI Active Terminator, Reverse Disconnect

## FEATURES

- Complies with SCSI, SCSI-2, SCSI-3 and FAST-20 (Ultra) Standards
- 2.75V to 7V Operation
- 1.8pF Channel Capacitance during Disconnect
- 1µA Supply Current in Disconnect Mode
- 110 Ohm/2.5k Programmable Termination
- Completely Meets SCSI Hot Plugging
- -650mA Sourcing Current for Termination
- +400mA Sinking Current for Active Negation Drivers
- Trimmed Termination Current to 4%
- Trimmed Impedance to 7%
- Current Limit and Thermal Shutdown Protection

## DESCRIPTION

The UCC5611 provides 18 lines of active termination for a SCSI (Small Computer Systems Interface) parallel bus. The SCSI standard recommends active termination at both ends of the cable segment.

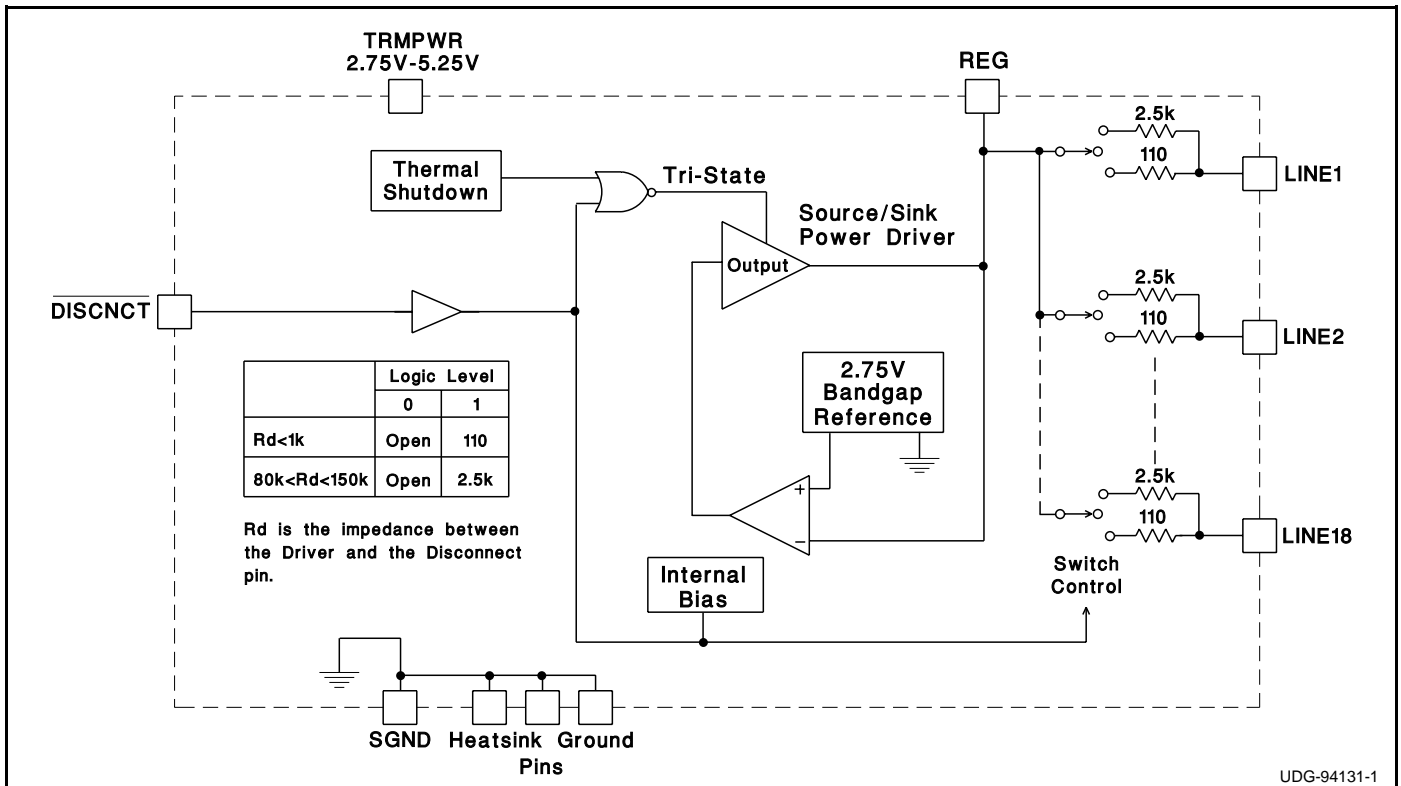
The UCC5611 is ideal for high performance 3.3V SCSI systems. The key features contributing to such low operating voltage are the 0.1V drop out regulator and the 2.75V reference. The reduced reference voltage was necessary to accommodate the lower termination current dictated in the SCSI-3 specification. During disconnect the supply current is typically only 1µA, which makes the IC attractive for battery powered systems.

The UCC5611 is designed with an ultra low channel capacitance of 1.8pF, which eliminates effects on signal integrity from disconnected terminators at interim points on the bus.

The UCC5611 can be programmed for either a 110 ohm or 2.5k ohm termination. The 110 ohm termination is used for standard SCSI bus lengths and the 2.5k ohm termination is typically used in short bus applications. When driving the TTL compatible DISCNCNT pin directly, the 110 ohm termination is connected when the DISCNCNT pin is driven high, and disconnected when low. When the DISCNCNT pin is driven through an impedance between 80k and 150k, the 2.5k ohm termination is connected when the DISCNCNT pin is driven high, and disconnected when driven low.

continued

## BLOCK DIAGRAM



UDG-94131-1

Circuit Design Patented

**Description Continued**

The power amplifier output stage allows the UCC5611 to source full termination current and sink active negation current when all termination lines are actively negated.

The UCC5611 is pin for pin compatible with Unitrode's other 18 line SCSI terminators, except that  $\overline{\text{DISCNCT}}$  is now active low, allowing lower capacitance and lower voltage upgrades to existing systems. The UCC5611, as with all Unitrode terminators, is completely hot pluggable and appears as high impedance at the terminating channels with  $V_{\text{TRMPWR}} = 0\text{V}$  or open.

Internal circuit trimming is utilized, first to trim the 110

ohm termination impedance to a 7% tolerance, and then most importantly, to trim the output current to a 4% tolerance, as close to the max SCSI-3 spec as possible, which maximizes noise margin in FAST-20 SCSI operation.

Other features include thermal shutdown and current limit.

This device is offered in low thermal resistance versions of the industry standard 28 pin wide body SOIC, 24 pin wide body DIP and 28 pin PLCC.

**ABSOLUTE MAXIMUM RATINGS**

Tempwr Voltage	+7V
Signal Line Voltage	0V to +7V
Regulator Output Current	Self-regulating
Storage Temperature	-65°C to +150°C
Operating Temperature	-55°C to +150°C
Lead Temperature (Soldering, 10 Sec.)	+300°C

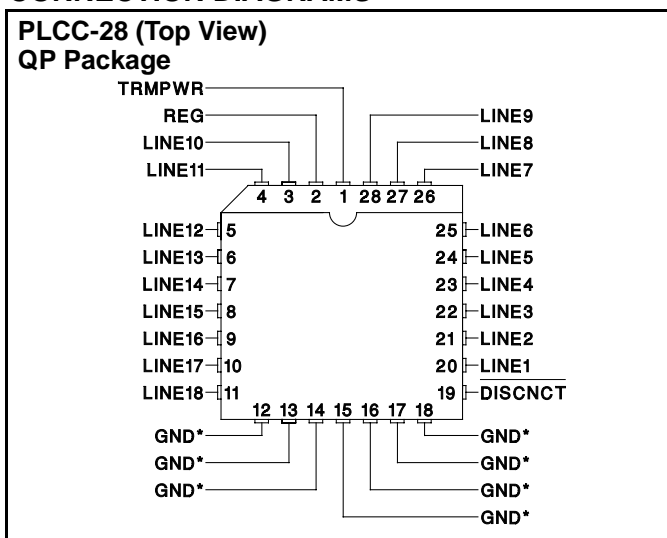
*Unless otherwise specified all voltages are with respect to Ground. Currents are positive into, negative out of the specified terminal.*

*Consult Packaging Section of Unitrode Integrated Circuits databook for thermal limitations and considerations of packages.*

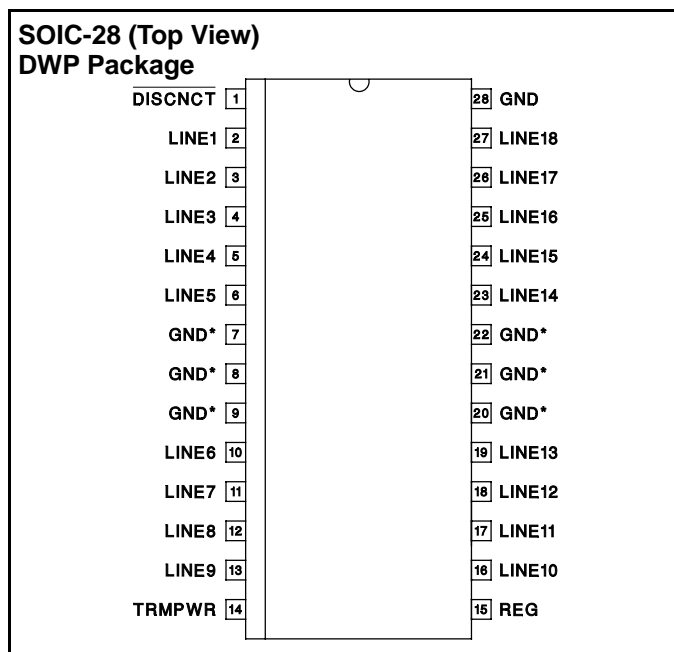
**RECOMMENDED OPERATING CONDITIONS**

Tempwr Voltage	2.75V to 5.25V
Signal Line Voltage	0V to +5V
Disconnect Input Voltage	0V to Tempwr

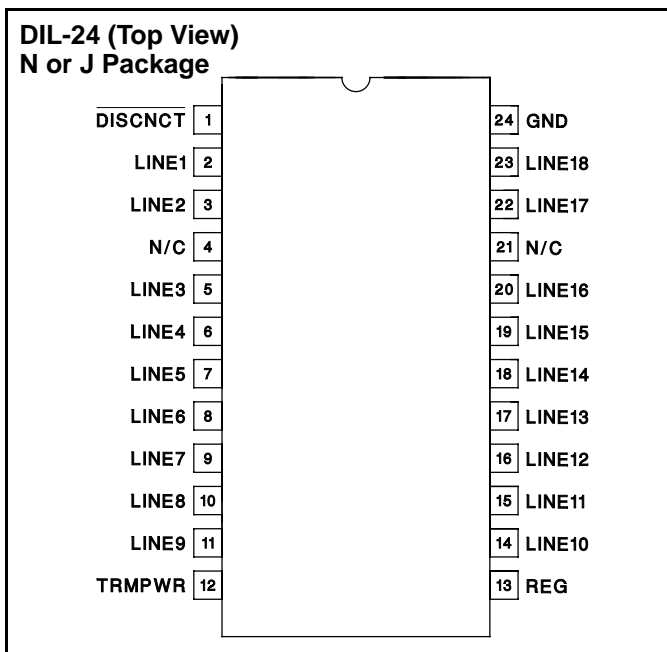
**CONNECTION DIAGRAMS**



\* QP package pins 12 - 18 serve as both heatsink and signal ground.



\* DWP package pin 28 serves as signal ground; pins 7, 8, 9, 20, 21, 22 serve as heatsink/ground.



Note: Drawings are not to scale.

**ELECTRICAL CHARACTERISTICS** Unless otherwise stated, these specifications apply for  $T_A = 0^{\circ}\text{C}$  to  $70^{\circ}\text{C}$ .  
 $\text{TRMPWR} = 3.3\text{V}$ ,  $\text{DISCNCT} = 3.3\text{V}$ ,  $\text{RDISCNCT} = 0$  ohms.  $T_A = T_J$ .

PARAMETER	TEST CONDITIONS	MIN	TYP	MAX	UNITS
<b>Supply Current Section</b>					
Tempwr Supply Current	All termination lines = Open		1	2	mA
	All termination lines = 0.2V		415	435	mA
Power Down Mode	$\overline{\text{DISCNCT}} = 0\text{V}$		0.5	5	$\mu\text{A}$
<b>Output Section (110 ohms - Terminator Lines)</b>					
Terminator Impedance	(Note 4)	102.3	110	117.7	Ohms
Output High Voltage	$\text{TRMPWR} = 3\text{V}$ (Note 1)	2.5	2.7	3.0	V
Max Output Current	$V_{\text{LINE}} = 0.2\text{V}$ , $T_J = 25^{\circ}\text{C}$	-22.1	-23	-24	mA
	$V_{\text{LINE}} = 0.2\text{V}$	-21	-23	-24	mA
	$V_{\text{LINE}} = 0.2\text{V}$ , $\text{TRMPWR} = 3\text{V}$ , $T_J = 25^{\circ}\text{C}$ (Note 1)	-20.2	-23	-24	mA
	$V_{\text{LINE}} = 0.2\text{V}$ , $\text{TRMPWR} = 3\text{V}$ (Note 1)	-19	-23	-24	mA
	$V_{\text{LINE}} = 0.5\text{V}$			-22.4	mA
Output Leakage	$\overline{\text{DISCNCT}} = 0\text{V}$ , $\text{TRMPWR} = 0\text{V}$ to $5.25\text{V}$		10	400	nA
Output Capacitance	$\overline{\text{DISCNCT}} = 0\text{V}$ , DWP Package (Note 2, 3)		1.8	2.5	pF
<b>Output Section (2.5k ohms - Terminator Lines) (<math>\text{RDISCNCT} = 80\text{k ohms}</math>)</b>					
Terminator Impedance		2	2.5	3	k $\Omega$
Output High Voltage	$\text{TRMPWR} = 3\text{V}$ (Note 1)	2.5	2.7	3.0	V
Max Output Current	$V_{\text{LINE}} = 0.2\text{V}$	-0.7	-1	-1.4	mA
	$V_{\text{LINE}} = 0.2\text{V}$ , $\text{TRMPWR} = 3\text{V}$ (Note 1)	-0.6	-1	-1.5	mA
Output Leakage	$\overline{\text{DISCNCT}} = 0\text{V}$ , $\text{TRMPWR} = 0$ to $5.25\text{V}$		10	400	nA
Output Capacitance	$\overline{\text{DISCNCT}} = 0\text{V}$ , DWP Package (Note 2, 3)		1.8	2.5	pF
<b>Regulator Section</b>					
Regulator Output Voltage	$5.25\text{V} > \text{TRMPWR} > 3\text{V}$	2.5	2.7	3.0	V
Drop Out Voltage	All Termination Lines = 0.2V		0.1	0.2	V
Short Circuit Current	$V_{\text{REG}} = 0\text{V}$	-450	-650	-800	mA
Sinking Current Capability	$V_{\text{REG}} = 3\text{V}$	200	400	800	mA
Thermal Shutdown	(Note 2)		170		$^{\circ}\text{C}$
Thermal Shutdown Hysteresis	(Note 2)		10		$^{\circ}\text{C}$
<b>Disconnect Section</b>					
Disconnect Threshold	$\text{RDISCNCT} = 0$ & $80\text{k}$	0.8	1.5	2.0	V
Input Current	$\overline{\text{DISCNCT}} = 3.3\text{V}$		30	50	$\mu\text{A}$

Note 1: Measuring each termination line while other 17 are low (0.2V).

Note 2: Guaranteed by design. Not 100% tested in production.

Note 3: Output Capacitance is measured at 0.5V.

Note 4: Tested by measuring  $I_{\text{OUT}}$  with  $V_{\text{OUT}} = 0.2\text{V}$  and  $V_{\text{OUT}} = V_{\text{REG}} - 0.1\text{V}$  then calculating the impedance.

APPLICATION INFORMATION

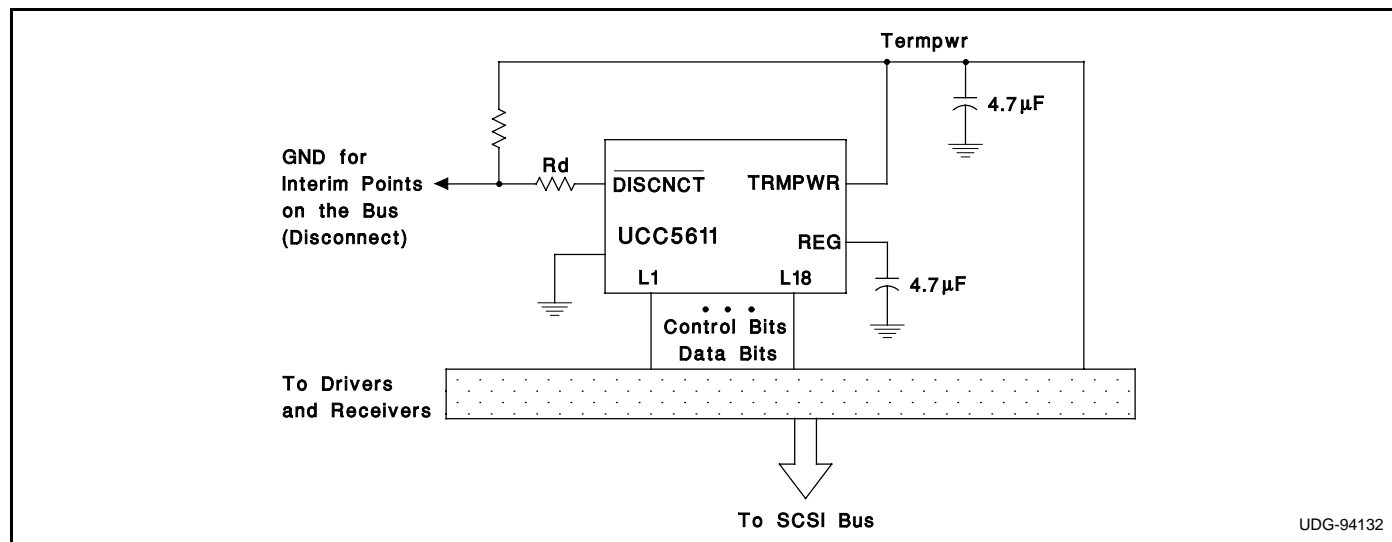


Figure 1: Typical SCSI Bus Configurations Utilizing A UCC5611 Device

## IMPORTANT NOTICE

Texas Instruments and its subsidiaries (TI) reserve the right to make changes to their products or to discontinue any product or service without notice, and advise customers to obtain the latest version of relevant information to verify, before placing orders, that information being relied on is current and complete. All products are sold subject to the terms and conditions of sale supplied at the time of order acknowledgement, including those pertaining to warranty, patent infringement, and limitation of liability.

TI warrants performance of its semiconductor products to the specifications applicable at the time of sale in accordance with TI's standard warranty. Testing and other quality control techniques are utilized to the extent TI deems necessary to support this warranty. Specific testing of all parameters of each device is not necessarily performed, except those mandated by government requirements.

CERTAIN APPLICATIONS USING SEMICONDUCTOR PRODUCTS MAY INVOLVE POTENTIAL RISKS OF DEATH, PERSONAL INJURY, OR SEVERE PROPERTY OR ENVIRONMENTAL DAMAGE ("CRITICAL APPLICATIONS"). TI SEMICONDUCTOR PRODUCTS ARE NOT DESIGNED, AUTHORIZED, OR WARRANTED TO BE SUITABLE FOR USE IN LIFE-SUPPORT DEVICES OR SYSTEMS OR OTHER CRITICAL APPLICATIONS. INCLUSION OF TI PRODUCTS IN SUCH APPLICATIONS IS UNDERSTOOD TO BE FULLY AT THE CUSTOMER'S RISK.

In order to minimize risks associated with the customer's applications, adequate design and operating safeguards must be provided by the customer to minimize inherent or procedural hazards.

TI assumes no liability for applications assistance or customer product design. TI does not warrant or represent that any license, either express or implied, is granted under any patent right, copyright, mask work right, or other intellectual property right of TI covering or relating to any combination, machine, or process in which such semiconductor products or services might be or are used. TI's publication of information regarding any third party's products or services does not constitute TI's approval, warranty or endorsement thereof.




**TEXAS INSTRUMENTS**
**THE WORLD LEADER IN DSP AND ANALOG**

Advanced Search
  TI Home
  TI&ME
  Employment
  Tech Support
  Comments
  Site Map
  TI Global

[>> Semiconductor Home](#) > 
 [Products](#) > 
 [Analog & Mixed-Signal](#) > 
 [Interface Products](#) > 
 [Bus Terminators](#) > 
 [SCSI](#) >

## UCC5611, LOWEST CAPACITANCE 18-LINE 3-5V SE TERMINATOR FOR SCSI THROUGH ULTRA SCSI WITH REVERSE DISCONNECT

Device Status: Active

- > [Description](#)
- > [Features](#)
- > [Datasheets](#)
- > [Pricing/Samples/Availability](#)
- > [Application Notes](#)
- > [Applications](#)

Parameter Name	UCC5611
Number of Lines	18
Driver Types Supported	SE
TERMPWR Voltage (max) (V)	5.25
TERMPWR Voltage (min) (V)	2.7
Disconnect Active State	Low
Integrated SPI-3 Mode Switching Filter/Delay	No
Process	Bi-CMOS
Active Negation Support	Yes
Channel Capacitance (pF)	3
Resistor Tolerance (ppm)	500
Typical Sink Current (mA)	400
Current Tolerance (%)	4
Single-Ended Termination Impedance (ohms)	110, 2500
Single-Ended Tolerance (%)	7
Integrated TERMPWR Regulation	No

### Description



The UCC5611 provides 18 lines of active termination for a SCSI (Small Computer Systems Interface) parallel bus. The SCSI standard recommends active termination at both ends of the cable segment.

The UCC5611 is ideal for high performance 3.3V SCSI systems. The key features contributing to such low operating voltage are the 0.1V drop out regulator and the 2.75V reference. The reduced reference voltage was necessary to accommodate the lower termination current dictated in the SCSI-3 specification. During disconnect the supply current is typically only 1uA, which

makes the IC attractive for battery powered systems.

The UCC5611 is designed with an ultra low channel capacitance of 1.8pF, which eliminates effects on signal integrity from disconnected terminators at interim points on the bus.

The UCC5611 can be programmed for either a 110 ohm or 2.5k ohm termination. The 110 ohm termination is used for standard SCSI bus lengths and the 2.5k ohm termination is typically used in short bus applications. When driving the TTL compatible DISCNCT\ pin directly, the 110 ohm termination is connected when the DISCNCT\ pin is driven high, and disconnected when low. When the DISCNCT\ pin is driven through an impedance between 80k and 150k, the 2.5k ohm termination is connected when the DISCNCT\ pin is driven high, and disconnected when driven low.

The power amplifier output stage allows the UCC5611 to source full termination current and sink active negation current when all termination lines are actively negated.

The UCC5611 is pin for pin compatible with Unitrode's other 18 line SCSI terminators, except that DISCNCT\ is now active low, allowing lower capacitance and lower voltage upgrades to existing systems. The UCC5611, as with all Unitrode terminators, is completely hot pluggable and appears as high impedance at the terminating channels with  $V_{TRMPWR} = 0V$  or open.

Internal circuit trimming is utilized, first to trim the 110 ohm termination impedance to a 7% tolerance, and then most importantly, to trim the output current to a 4% tolerance, as close to the max SCSI-3 spec as possible, which maximizes noise margin in FAST-20 SCSI operation.

Other features include thermal shutdown and current limit.

This device is offered in low thermal resistance versions of the industry standard 28 pin wide body SOIC, 24 pin wide body DIP and 28 pin PLCC.

## Features

- Complies with SCSI, SCSI-2, SCSI-3 and FAST-20 (Ultra) Standards
- 2.75V to 7V Operation
- 1.8pF Channel Capacitance during Disconnect
- 1uA Supply Current in Disconnect Mode
- 110Ohm/2.5k Programmable Termination
- Completely Meets SCSI Hot Plugging
- -650mA Sourcing Current for Termination

- +400mA Sinking Current for Active Negation Drivers
- Trimmed Termination Current to 4%
- Trimmed Impedance to 7%
- Current Limit and Thermal Shutdown Protection

To view the following documents, [Acrobat Reader 3.x](#) is required.

To download a document to your hard drive, right-click on the link and choose 'Save'.

## Datasheets

Full datasheet in Acrobat PDF: [slus348.pdf](#) (254 KB)

## Pricing/Samples/Availability

<a href="#">Orderable Device</a>	<a href="#">Package</a>	<a href="#">Pins</a>	<a href="#">Temp (°C)</a>	<a href="#">Status</a>	<a href="#">Price/unit USD (100-999)</a>	<a href="#">Pack Qty</a>	<a href="#">Availability / Samples</a>
UCC5611DWP	<a href="#">DW</a>	28	0 TO 70	ACTIVE	4.28	1	<a href="#">Check stock or order</a>
UCC5611DWPTR	<a href="#">DW</a>	28	0 TO 70	ACTIVE	3.80	1	<a href="#">Check stock or order</a>

## Application Reports

- [COMPARING BUS SOLUTIONS](#) (SLLA067 - Updated: 03/06/2000)
- [ELECTROSTATIC DISCHARGE APPLICATION NOTE](#) (SSYA008 - Updated: 05/05/1999)
- [JITTER ANALYSIS](#) (SLLA075 - Updated: 03/31/2000)
- [THERMAL CHARACTERISTICS OF LINEAR AND LOGIC PACKAGES USING JEDEC PCB DESIGNS](#) (SZZA017A - Updated: 09/10/1999)

## Table Data Updated on: 8/15/2000

© Copyright 2000 Texas Instruments Incorporated. All rights reserved.

[Trademarks](#) | [Privacy Policy](#)

