

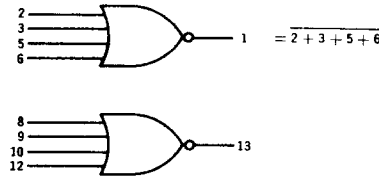
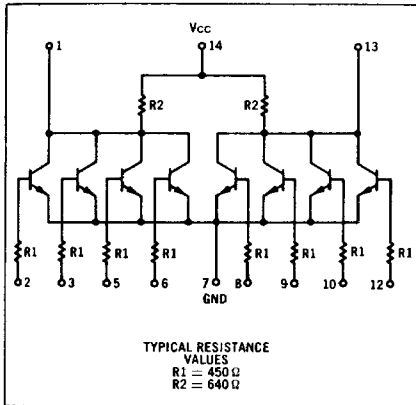
DUAL 4-INPUT GATES

MRTL MC900/800 series

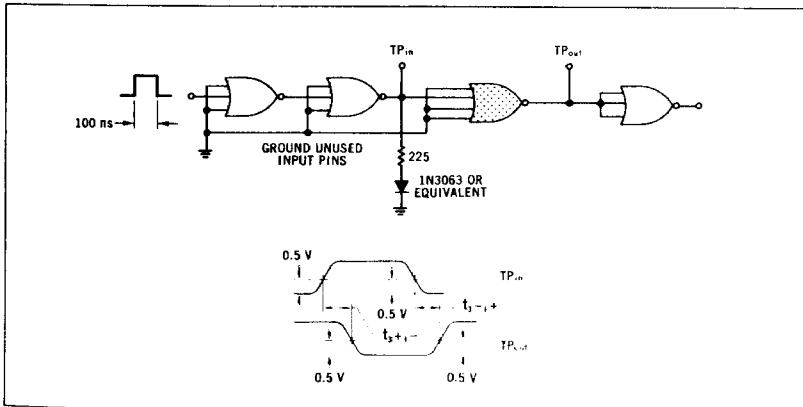
**MC925 • MC825**

Available in TO-86 Flat Package, Add "F" Suffix.

Two 4-input positive logic NOR gates in a single package may be used independently, paralleled for increasing the number of inputs (subject to loading rules), or cross-connected to form bistable elements.



**SWITCHING TIMES TEST CIRCUIT AND WAVEFORMS**



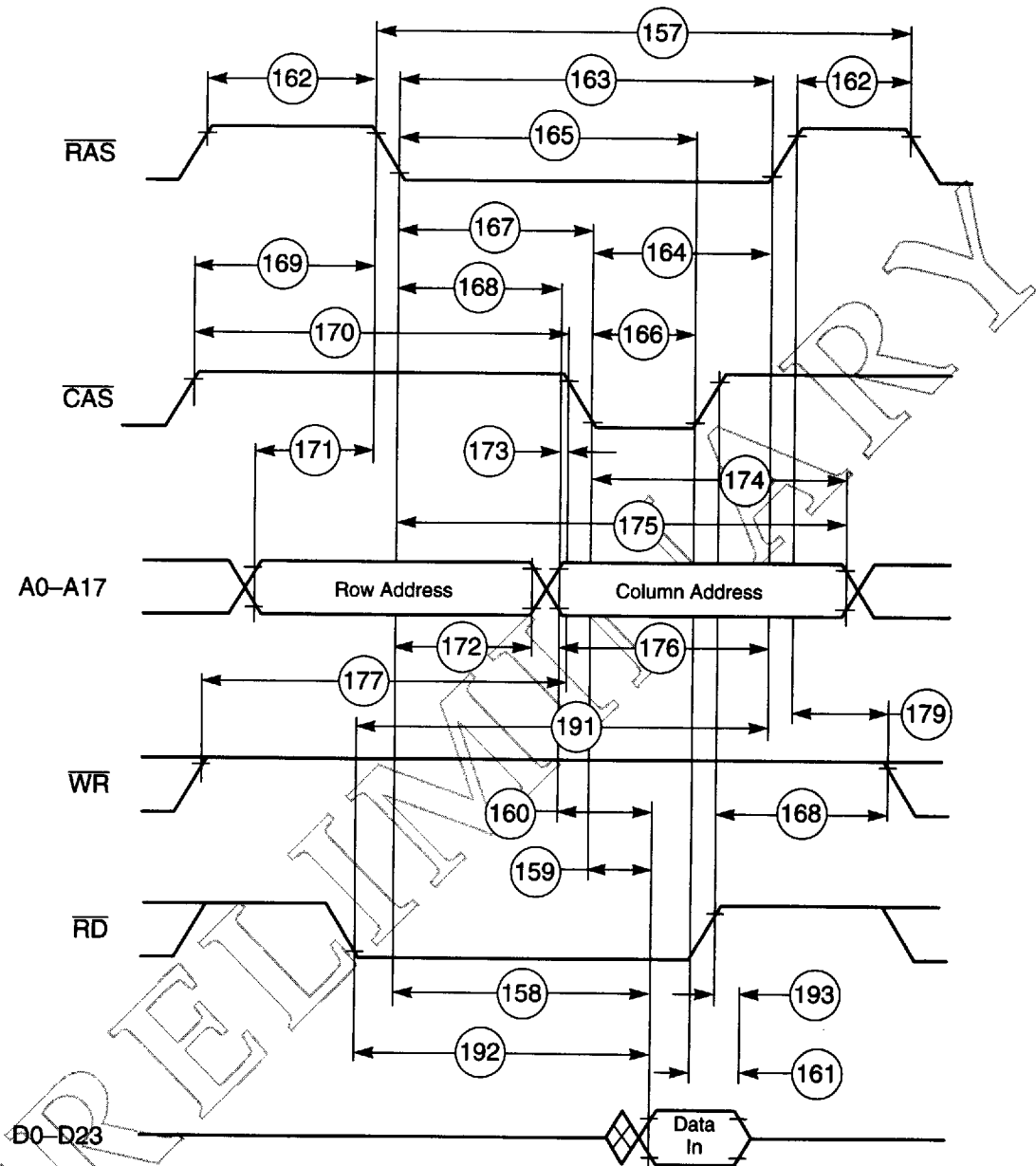
40

**ELECTRICAL CHARACTERISTICS**

Test procedures are shown for one gate only.  
Other gates are tested in the same manner.

Characteristic	Symbol	Pin Under Test	TEST VOLTAGE VALUES (Volts)															
			@ Test Temperature						APPLIED TO PINS LISTED BELOW:									
			-55°C		+25°C		+125°C		V <sub>in</sub>		V <sub>out</sub>		V <sub>cc</sub>					
Input Current	I <sub>in</sub>	2, 3, 5, 6	Min	Max	Min	Max	Min	Max	Min	Max	Min	Max	Min	Max	Min	Max	Min	Max
Output Current	I <sub>AS</sub>	1	2.47	-	2.54	-	2.35	-	2.35	-	2.38	-	2.25	-	2.25	-	2.35	-
Output Leakage Current	I <sub>CEX</sub>	1	-	100	-	218	-	235	-	100	-	225	-	225	-	235	-	235
Output Voltage	V <sub>out</sub>	1	-	710	-	300	-	320	-	574	-	400	-	370	-	370	-	370
Saturation Voltage	V <sub>CE(sat)</sub>	1	-	200	-	210	-	280	-	290	-	260	-	340	-	340	-	340
Switching Time	t	3-1, 3-1*	-	-	-	-	-	-	-	-	-	-	-	-	-	-	-	-

Ground inputs of gate not under test. Other pins not listed are left open.



AA0476

Figure 2-18 DRAM Out-of-Page Read Access

Preliminary Data