



| REVISIONS | | | |
|-----------|---|-----------|--------------------|
| LTR | DESCRIPTION | DATE | APPROVED |
| A | Convert to Military Drawing format. Add vendor CAGE 18714. | 20 DEC 86 | <i>MAK Hancock</i> |
| | | | |



| | | | | | | | | | | | | | | | | | | | | | | | |
|---|--------------|--|---------------------------------|---|---|---|---|---|---|---|----|---|----------------------|--|--|--|--|--|--|--|--|--|--|
| REV | | | | | | | | | | | | | | | | | | | | | | | |
| PAGE | | | | | | | | | | | | | | | | | | | | | | | |
| REV STATUS OF PAGES | REV | A | A | A | A | A | A | A | A | A | A | A | | | | | | | | | | | |
| | PAGES | 1 | 2 | 3 | 4 | 5 | 6 | 7 | 8 | 9 | 10 | 11 | | | | | | | | | | | |
| Defense Electronics Supply Center Dayton, Ohio Original date of drawing: 27 January 1986 AMSC N/A | | PREPARED BY <i>Jeffery J. Scinstable</i> | | | | | | | | | | MILITARY DRAWING This drawing is available for use by all Departments and Agencies of the Department of Defense | | | | | | | | | | | |
| | | CHECKED BY <i>DA Di Cerzo</i> | | | | | | | | | | | | | | | | | | | | | |
| | | APPROVED BY <i>MAK Hancock</i> | | | | | | | | | | TITLE: MICROCIRCUITS, DIGITAL, HIGH-SPEED CMOS DATA SELECTOR/MULTIPLEXER, MONOLITHIC SILICON | | | | | | | | | | | |
| | | SIZE A | CODE IDENT. NO. 14933 | | | | | | | | | | DWG NO. 84128 | | | | | | | | | | |
| | | REV A | | | | | | | | | | | PAGE 1 OF 11 | | | | | | | | | | |

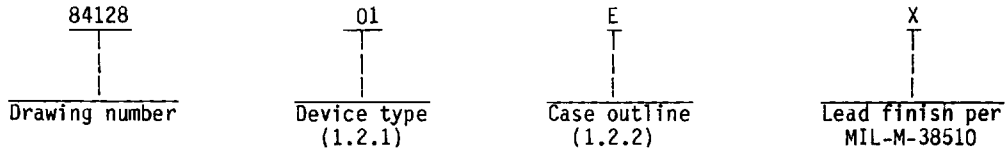
5962-E206-7



1. SCOPE

1.1 Scope. This drawing describes device requirements for class B microcircuits in accordance with 1.2.1 of MIL-STD-883, "Provisions for the use of MIL-STD-883 in conjunction with compliant non-JAN devices".

1.2 Part number. The complete part number shall be as shown in the following example:



1.2.1 Device type. The device type shall identify the circuit function as follows:

| Device type | Generic number | Circuit function |
|-------------|----------------|--|
| 01 | 54HC151 | Eight-input data selector/ multiplexer, with enable |

1.2.2 Case outlines. The case outlines shall be as designated in appendix C of MIL-M-38510, and as follows:

| Outline letter | Case outline |
|----------------|---|
| E | D-2 (16-lead, 1/4" x 7/8"), dual-in-line package |
| 2 | C-2 (20-terminal, .350" x .350"), square chip carrier package |

1.3 Absolute maximum ratings. 1/

| | |
|---|----------------------------------|
| Supply voltage range | -0.5 V dc to +7.0 V dc |
| DC input voltage | -0.5 V dc to $V_{CC} + 0.5$ V dc |
| DC output voltage | -0.5 V dc to $V_{CC} + 0.5$ V dc |
| Clamp diode current | ±20 mA |
| DC output current (per pin) | ±25 mA |
| DC V_{CC} or GND current (per pin) | ±50 mA |
| Storage temperature range | -65°C to +150°C |
| Maximum power dissipation (P_D) | 500 mW 2/ |
| Lead temperature (soldering, 10 seconds) | +260°C |
| Thermal resistance, junction-to-case (θ_{JC}): | |
| Case E | See MIL-M-38510, appendix C |
| Case 2 | +80°C/W 3/ |
| Junction temperature (T_J) | +175°C |

1.4 Recommended operating conditions.

| | |
|--|------------------------|
| Supply voltage | +2.0 V dc to +6.0 V dc |
| Case operating temperature range (T_C) | -55°C to +125°C |
| Input rise or fall time: | |
| $V_{CC} = 2.0$ V | 0 to 1000 ns |
| $V_{CC} = 4.5$ V | 0 to 500 ns |
| $V_{CC} = 6.0$ V | 0 to 400 ns |

1/ Unless otherwise specified, all voltages are referenced to ground.

2/ For $T_C = +100^\circ\text{C}$ to +125°C, derate linearly at 12 mW/°C.

3/ When a thermal resistance value is included in MIL-M-38510, appendix C, it shall supersede the value indicated herein.

| | | | |
|--|-----------|---------------------------------|------------------|
| MILITARY DRAWING DEFENSE ELECTRONICS SUPPLY CENTER DAYTON, OHIO | SIZE A | CODE IDENT. NO. 14933 | DWG NO. 84128 |
| | | REV A | PAGE 2 |

2. APPLICABLE DOCUMENTS

2.1 Government specification and standard. Unless otherwise specified, the following specification and standard, of the issue listed in that issue of the Department of Defense Index of Specifications and Standards specified in the solicitation, form a part of this drawing to the extent specified herein.

SPECIFICATION

MILITARY

MIL-M-38510 - Microcircuits, General Specification for.

STANDARD

MILITARY

MIL-STD-883 - Test Methods and Procedures for Microelectronics.

(Copies of the specification and standard required by manufacturers in connection with specific acquisition functions should be obtained from the contracting activity or as directed by the contracting activity.)

2.2 Order of precedence. In the event of a conflict between the text of this drawing and the references cited herein, the text of this drawing shall take precedence.

3. REQUIREMENTS

3.1 Item requirements. The individual item requirements shall be in accordance with 1.2.1 of MIL-STD-883, "Provisions for the use of MIL-STD-883 in conjunction with compliant non-JAN devices" and as specified herein.

3.2 Design, construction, and physical dimensions. The design, construction, and physical dimensions shall be as specified in MIL-M-38510 and herein.

3.2.1 Terminal connections. The terminal connections shall be as specified on figure 1.

3.2.2 Truth table and logic diagram. The truth table and logic diagram shall be as specified on figure 2.

3.2.3 Case outlines. The case outlines shall be in accordance with 1.2.2 herein.

3.3 Electrical performance characteristics. Unless otherwise specified, the electrical performance characteristics are as specified in table I and apply over the full recommended case operating temperature range.

3.4 Marking. Marking shall be in accordance with MIL-STD-883 (see 3.1 herein). The part shall be marked with the part number listed in 1.2 herein. In addition, the manufacturer's part number may also be marked as listed in 6.4 herein.

3.5 Certificate of compliance. A certificate of compliance shall be required from a manufacturer in order to be listed as an approved source of supply in 6.4. The certificate of compliance submitted to DESC-ECS prior to listing as an approved source of supply shall state that the manufacturer's product meets the requirements of MIL-STD-883 (see 3.1 herein) and the requirements herein.

3.6 Certificate of conformance. A certificate of conformance as required in MIL-STD-883 (see 3.1 herein) shall be provided with each lot of microcircuits delivered to this drawing.

| | | | |
|--|------|-----------------|---------|
| MILITARY DRAWING DEFENSE ELECTRONICS SUPPLY CENTER DAYTON, OHIO | SIZE | CODE IDENT. NO. | DWG NO. |
| | A | 14933 | 84128 |
| | | REV A | PAGE 3 |

TABLE I. Electrical performance characteristics.

| Test | Symbol | Conditions $\frac{1}{}$ -55°C < T _C < +125°C unless otherwise specified | Group A subgroups | Limits | | Unit |
|------------------------------|-----------------|--|-------------------------|-------------------------|------|------|
| | | | | Min | Max | |
| High-level output voltage | V _{OH} | $V_{IN} = V_{IH}$ or V_{IL} $ I_{O} \leq 20 \mu A$ | 1, 2, 3 | V _{CC} = 2.0 V | 1.9 | V |
| | | | | V _{CC} = 4.5 V | 4.4 | |
| | | | | V _{CC} = 6.0 V | 5.9 | |
| | | $V_{IN} = V_{IH}$ or V_{IL} $ I_{O} \leq 4.0 \text{ mA}$ | V _{CC} = 4.5 V | 3.7 | | |
| | | | V _{CC} = 6.0 V | 5.2 | | |
| Low-level output voltage | V _{OL} | $V_{IN} = V_{IH}$ or V_{IL} $ I_{O} \leq 20 \mu A$ | 1, 2, 3 | V _{CC} = 2.0 V | 0.1 | V |
| | | | | V _{CC} = 4.5 V | 0.1 | |
| | | | | V _{CC} = 6.0 V | 0.1 | |
| | | $V_{IN} = V_{IH}$ or V_{IL} $ I_{O} \leq 4.0 \text{ mA}$ | V _{CC} = 4.5 V | 0.4 | | |
| | | | V _{CC} = 6.0 V | 0.4 | | |
| High-level input voltage | V _{IH} | | 1, 2, 3 | V _{CC} = 2.0 V | 1.5 | V |
| | | | | V _{CC} = 4.5 V | 3.15 | |
| | | | | V _{CC} = 6.0 V | 4.2 | |
| Low-level input voltage | V _{IL} | | 1, 2, 3 | V _{CC} = 2.0 V | 0.3 | V |
| | | | | V _{CC} = 4.5 V | 0.9 | |
| | | | | V _{CC} = 6.0 V | 1.2 | |

See footnotes at end of table.

| | | | |
|--|-----------|---------------------------------|------------------|
| MILITARY DRAWING DEFENSE ELECTRONICS SUPPLY CENTER DAYTON, OHIO | SIZE A | CODE IDENT. NO. 14933 | DWG NO. 84128 |
| | | REV A | PAGE 4 |

TABLE I. Electrical performance characteristics - Continued.

| Test | Symbol | Conditions ^{1/} -55°C < T _C < +125°C unless otherwise specified | Group A subgroups | Limits | | Unit |
|---|---|---|--|---------|-----|--------|
| | | | | Min | Max | |
| Input capacitance | C _{IN} | V _{IN} = 0 V See 4.3.1c | T _C = +25°C | 4 | | 10 pF |
| Quiescent current | I _{CC} | V _{CC} = 6.0 | V _{IN} = V _{CC} or GND | 1, 2, 3 | | 160 μA |
| Input leakage current | I _{IN} | V _{CC} = 6.0 | V _{IN} = V _{CC} or GND | 1, 2, 3 | | ±1 μA |
| Functional tests | | See 4.3.1d | | 7, 8 | | |
| Propagation delay time, address inputs to Y or W <u>2/</u> | t _{PHL1} t _{PLH1} | T _C = +25°C C _L = 50 pF ±10% See figure 3 | V _{CC} = 2.0 V | 9 | | 250 ns |
| | | | V _{CC} = 4.5 V | | | 50 |
| | | | V _{CC} = 6.0 V | | | 43 |
| | T _C = -55°C, +125°C C _L = 50 pF ±10% See figure 3 | | V _{CC} = 2.0 V | 10, 11 | | 375 ns |
| | | | V _{CC} = 4.5 V | | | 75 |
| | | | V _{CC} = 6.0 V | | | 64 |
| Propagation delay time, data inputs to Y or W <u>2/</u> | t _{PHL2} t _{PLH2} | T _C = +25°C C _L = 50 pF ±10% See figure 3 | V _{CC} = 2.0 V | 9 | | 210 ns |
| | | | V _{CC} = 4.5 V | | | 42 |
| | | | V _{CC} = 6.0 V | | | 36 |
| | T _C = -55°C, +125°C C _L = 50 pF ±10% See figure 3 | | V _{CC} = 2.0 V | 10, 11 | | 315 ns |
| | | | V _{CC} = 4.5 V | | | 63 |
| | | | V _{CC} = 6.0 V | | | 54 |

See footnotes at end of table.

| | | | |
|--|-----------|---------------------------------|------------------|
| MILITARY DRAWING DEFENSE ELECTRONICS SUPPLY CENTER DAYTON, OHIO | SIZE A | CODE IDENT. NO. 14933 | DWG NO. 84128 |
| | | REV A | PAGE 5 |

TABLE I. Electrical performance characteristics - Continued.

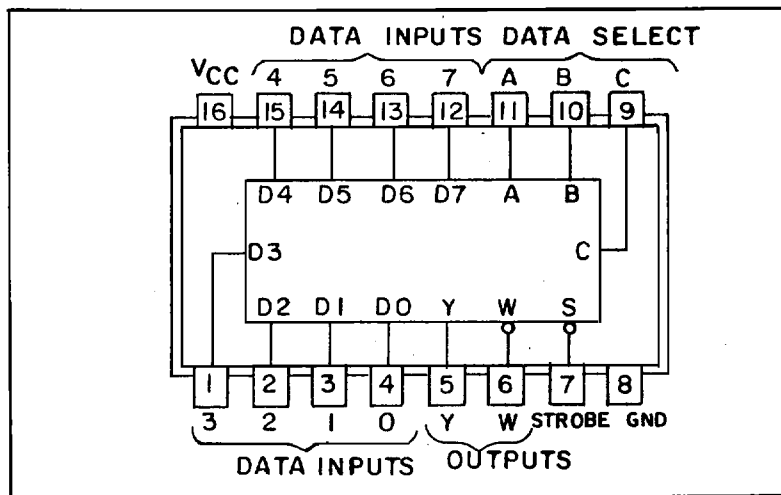
| Test | Symbol | Conditions ^{1/} -55°C < T _C < +125°C unless otherwise specified | Group A subgroups | Limits | | Unit | |
|--|--|---|-------------------------|--------|-----|------|----|
| | | | | Min | Max | | |
| Propagation delay time, strobe to Y or W 2/ | t _{PHL3} t _{PLH3} | T _C = +25°C C _L = 50 pF ±10% See figure 3 | V _{CC} = 2.0 V | 9 | | 155 | ns |
| | | | V _{CC} = 4.5 V | | | 31 | |
| | | | V _{CC} = 6.0 V | | | 26 | |
| | | T _C = -55°C, +125°C C _L = 50 pF ±10% See figure 3 | V _{CC} = 2.0 V | 10, 11 | | 235 | ns |
| | | | V _{CC} = 4.5 V | | | 47 | |
| | | | V _{CC} = 6.0 V | | | 40 | |
| Transition time 3/ | t _{THL} t _{TLH} | T _C = +25°C C _L = 50 pF ±10% | V _{CC} = 2.0 V | 9 | | 75 | ns |
| | | | V _{CC} = 4.5 V | | | 15 | |
| | | | V _{CC} = 6.0 V | | | 13 | |
| | | T _C = -55°C, +125°C C _L = 50 pF ±10% | V _{CC} = 2.0 V | 10, 11 | | 110 | ns |
| | | | V _{CC} = 4.5 V | | | 22 | |
| | | | V _{CC} = 6.0 V | | | 19 | |

- 1/ For a power supply of 5 V ±10 percent, the worst case output voltages (V_{OH} and V_{OL}) occur for HC at 4.5 V. Thus, the 4.5 V values should be used when designing with this supply. Worst case V_{IH} and V_{IL} occur at V_{CC} = 5.5 V and 4.5 V respectively. (The V_{IH} value at 5.5 V is 3.85 V.) The worst case leakage current (I_{IN}, I_{CC} and I_{OZ}) occur for CMOS at the higher voltage and so the 6.0 V values should be used. Power dissipation capacitance (C_{PD}), typically 110 pF, determines the no load dynamic power consumption, P_D = C_{PD} V_{CC}²f + I_{CC} V_{CC}, and the no load dynamic current consumption, I_S = C_{PD} V_{CC} f + I_{CC}.
- 2/ Propagation delay times at V_{CC} = 2.0 V and V_{CC} = 6.0 V shall be guaranteed, if not tested to the specified parameters.
- 3/ Transition time, if not tested, shall be guaranteed to the specified limits.

| | | | |
|--|-----------|---------------------------------|------------------|
| MILITARY DRAWING DEFENSE ELECTRONICS SUPPLY CENTER DAYTON, OHIO | SIZE A | CODE IDENT. NO. 14933 | DWG NO. 84128 |
| | | REV A | PAGE 6 |

Device type 01

Case E



Case 2

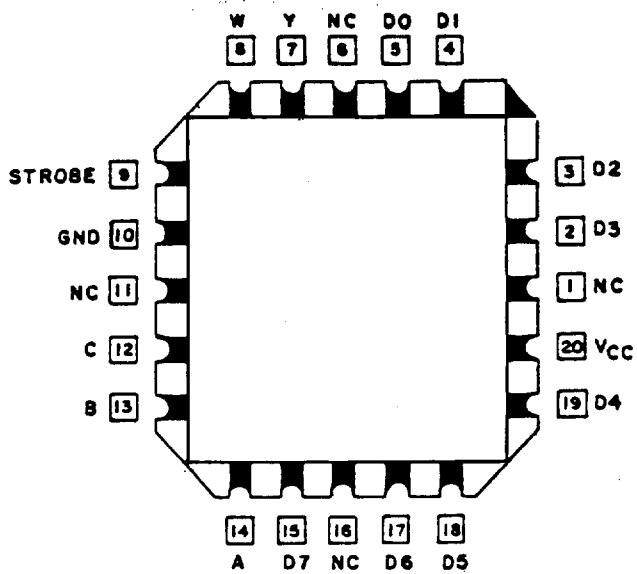


FIGURE 1. Terminal connections (top view).

MILITARY DRAWING

DEFENSE ELECTRONICS SUPPLY CENTER
DAYTON, OHIO

SIZE

A

CODE IDENT. NO.

14933

DWG NO.

84128

REV A

PAGE 7

Device type 01

| Inputs | | | Strobe S | Outputs | |
|--------|---|---|-------------|---------|-----------------|
| Select | | | | Y | W |
| C | B | A | | | |
| X | X | X | H | L | H |
| L | L | L | L | D0 | $\overline{D0}$ |
| L | L | H | L | D1 | $\overline{D1}$ |
| L | H | L | L | D2 | $\overline{D2}$ |
| L | H | H | L | D3 | $\overline{D3}$ |
| H | L | L | L | D4 | $\overline{D4}$ |
| H | L | H | L | D5 | $\overline{D5}$ |
| H | H | L | L | D6 | $\overline{D6}$ |
| H | H | H | L | D7 | $\overline{D7}$ |

H = High level, L = low level,
X = Don't care

D0, D1 and D7 = the level of the
respective D input

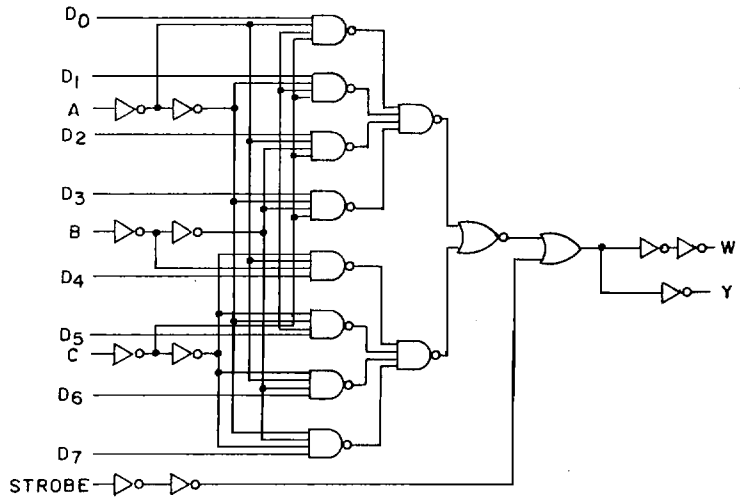


FIGURE 2. Truth table and logic diagram.

Device type 01

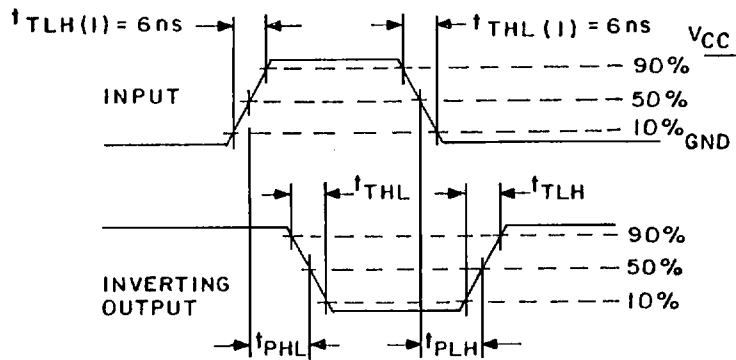


FIGURE 3. Switching waveform.

| | | | |
|--|-----------|---------------------------------|------------------|
| MILITARY DRAWING DEFENSE ELECTRONICS SUPPLY CENTER DAYTON, OHIO | SIZE A | CODE IDENT. NO. 14933 | DWG NO. 84128 |
| | REV A | | PAGE 8 |

3.7 Notification of change. Notification of change to DESC-ECS shall be required in accordance with MIL-STD-883 (see 3.1 herein).

3.8 Verification and review. DESC, DESC's agent, and the acquiring activity retain the option to re-visit the manufacturer's facility and applicable required documentation. Offshore documentation shall be made available onshore at the option of the reviewer.

4. QUALITY ASSURANCE PROVISIONS

4.1 Sampling and inspection. Sampling and inspection procedures shall be in accordance with section 4 of MIL-M-38510 to the extent specified in MIL-STD-883 (see 3.1 herein).

4.2 Screening. Screening shall be in accordance with method 5004 of MIL-STD-883, and shall be conducted on all devices prior to quality conformance inspection. The following additional criteria shall apply:

a. Burn-in test (method 1015 of MIL-STD-883).

(1) Test condition A, B, C, or D using the circuit submitted with the certificate of compliance (see 3.5 herein).

(2) $T_A = +125^\circ\text{C}$, minimum.

b. Interim and final electrical test parameters shall be as specified in table II herein, except interim electrical parameter tests prior to burn-in are optional at the discretion of the manufacturer.

4.3 Quality conformance inspection. Quality conformance inspection shall be in accordance with method 5005 of MIL-STD-883 including groups A, B, C, and D inspections. The following additional criteria shall apply.

4.3.1 Group A inspection.

a. Tests shall be as specified in table II herein.

b. Subgroups 5, 6, and 8 in table I, method 5005 of MIL-STD-883 shall be omitted.

c. Subgroup 4 (C_{IN} measurement) shall be measured only for the initial test and after process or design changes which may affect input capacitance.

d. Subgroup 7 tests sufficient to verify the truth table.

4.3.2 Groups C and D inspections.

a. End-point electrical parameters shall be as specified in table II herein.

b. Steady-state life test (method 1005 of MIL-STD-883) conditions:

(1) Test condition A, B, C, or D using the circuit submitted with the certificate of compliance (see 3.5 herein).

(2) $T_A = +125^\circ\text{C}$, minimum.

(3) Test duration: 1,000 hours, except as permitted by appendix B of MIL-M-38510 and method 1005 of MIL-STD-883.

| | | | |
|--|-----------|---------------------------------|------------------|
| MILITARY DRAWING DEFENSE ELECTRONICS SUPPLY CENTER DAYTON, OHIO | SIZE A | CODE IDENT. NO. 14933 | DWG NO. 84128 |
| | | REV A | PAGE 9 |

TABLE II. Electrical test requirements.

| | |
|---|--|
| MIL-STD-883 test requirements | Subgroups (per method 5005, table I) |
| Interim electrical parameters (method 5004) | |
| Final electrical test parameters (method 5004) | 1*, 2, 9 |
| Group A test requirements (method 5005) | 1, 2, 3, 4, 7, 9, 10, 11** |
| Groups C and D end-point electrical parameters (method 5005) | 1, 2, 3 |
| Additional electrical subgroups for group C periodic inspections | --- |

* PDA applies to subgroup 1.

** Subgroups 10 and 11, if not tested, shall be guaranteed to the specified limits in table I.

5. PACKAGING

5.1 Packaging requirements. The requirements for packaging shall be in accordance with MIL-M-38510.

6. NOTES

6.1 Intended use. Microcircuits conforming to this drawing are intended for use when military specifications do not exist and qualified military devices that will perform the required function are not available for OEM application. When a military specification exists and the product covered by this drawing has been qualified for listing on QPL-38510, the device specified herein will be inactivated and will not be used for new design. The QPL-38510 product shall be the preferred item for all applications.

6.2 Replaceability. Replaceability is determined as follows:

- a. Microcircuits covered by this drawing will replace the same generic device covered by a contractor-prepared specification or drawing.
- b. When a QPL source is established, the part numbered device specified in this drawing will be replaced by the microcircuit identified as part number M38510/66201B--.

6.3 Comments. Comments on this drawing should be directed to DESC-ECS, Dayton, Ohio 45444, or telephone 513-296-5375.

| | | | |
|--|------|-----------------|---------|
| MILITARY DRAWING DEFENSE ELECTRONICS SUPPLY CENTER DAYTON, OHIO | SIZE | CODE IDENT. NO. | DWG NO. |
| | A | 14933 | 84128 |
| | | REV A | PAGE 10 |

6.4 Approved sources of supply. Approved sources of supply are listed herein. Additional sources will be added as they become available. The vendors listed herein have agreed to this drawing and a certificate of compliance (see 3.5 herein) has been submitted to DESC-ECS.

| Military drawing part number | Vendor CAGE number | Vendor similar part number 1/ | Replacement military specification part number |
|------------------------------|-------------------------|---|--|
| 8412801EX | 27014 04713 18714 | MM54HC151J/883B 54HC151/BEAJC CD54HC151F/3A | M38510/66201BEX |
| 84128012X | 04713 | 54HC151M/B2CJC | M38510/66201B2X |

| <u>Vendor CAGE number</u> | <u>Vendor name and address</u> |
|---------------------------|---|
| 04713 | Motorola, Inc. 7402 S. Price Road Tempe, AZ 85283 |
| 27014 | National Semiconductor 2900 Semiconductor Drive Santa Clara, CA 95051 |
| 18714 | RCA Corporation Route 202 Somerville, NJ 08876 |

| | | | |
|--|-----------|---------------------------------|------------------|
| MILITARY DRAWING DEFENSE ELECTRONICS SUPPLY CENTER DAYTON, OHIO | SIZE A | CODE IDENT. NO. 14933 | DWG NO. 84128 |
| | | REV A | PAGE 11 |