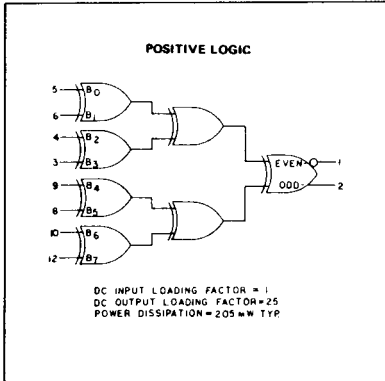


**EIGHT-BIT PARITY
CHECKER and GENERATOR**

MECL II MC1000/1200 series

**MC1046
MC1246**

Advance Information



Seven Exclusive-OR gates in a single package, inter-connected to provide simultaneous ODD-EVEN parity generation or checking.

TRUTH TABLE

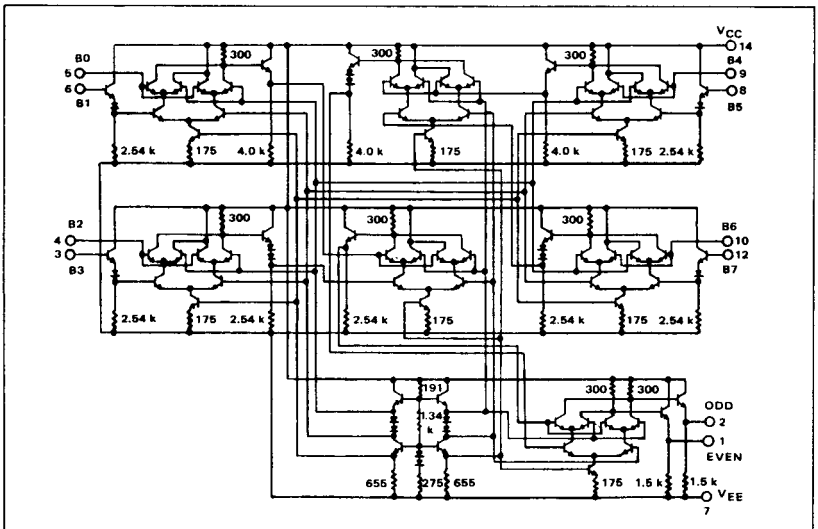
PIN NO	INPUTS							OUTPUTS		
	B ₀	B ₁	B ₂	B ₃	B ₄	B ₅	B ₆	B ₇	ODD	EVEN
5	0	0	0	0	0	0	0	0	0	1
6	1	0	0	0	0	0	0	0	1	0
4	0	1	0	0	0	0	0	0	1	0
7	0	0	1	0	0	0	0	0	0	1
9	0	0	0	1	0	0	0	0	1	0
8	0	0	0	0	1	0	0	0	1	0
10	1	1	0	0	0	0	0	0	0	1
12	1	1	0	0	0	0	0	0	0	1
ANY ODD NUMBER OF INPUTS = 1									1	0
ANY EVEN NUMBER OF INPUTS = 1									0	1

FUNCTIONAL TRUTH TABLE*

B ₀	B ₁	B ₂	B ₃	B ₄	B ₅	B ₆	B ₇	ODD	EVEN
0	0	0	0	0	0	0	0	0	1
0	1	1	0	0	1	1	1	1	0
1	1	0	1	1	1	0	1	0	1
1	0	1	1	1	0	1	0	1	0

*The Functional Truth Table is One Which Completely Exercises the Device.

CIRCUIT SCHEMATIC



MC1046, MC1246 (continued)

ELECTRICAL CHARACTERISTICS @ 25°C

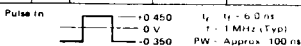
Characteristic	Symbol	Pin Under Test	Test Limits		Unit	TEST VOLTAGE (Vdc)/CURRENT (mA)dc VALUES					
			Min	Max		V _{IL}	V _{IH}	V _{IH max}	V _{EE}	V _{CC}	I _L
						-1.500	-0.850	-0.700	-5.2	Gnd	-2.5
Power Supply Drain Current	I _E	7	-	53	mAdc				3.4, 5.6, 7, 8.9, 10, 12	14	-
Input Current	*I _{in}	3.4, 5.6, 8.9, 10, 12	-	100	μAdc				3.4, 5.6, 7, 8.9, 10, 12	14	-
Input Leakage Current	*I _R	3.4, 5.6, 8.9, 10, 12	-	1.0	μAdc				3.4, 5.6, 7, 8.9, 10, 12	14	-
Logic "1" Output Voltage	**V _{OH}	1	-0.850	-0.700	Vdc	3.4, 5.6, 3.9, 10, 12			7	14	1
		2				3.5, 9	4, 6, 8, 10, 12				2
		1				4, 10	3.5, 6, 8, 9, 12				1
		2				6, 8, 12	3.4, 5, 9, 10				2
Logic "0" Output Voltage	V _{OL}	2	-1.800	-1.500	Vdc	3.4, 5.6, 8.9, 10, 12			7	14	-
		1				3.5, 9	4, 6, 8, 10, 12				-
		2				4, 10	3.5, 6, 8, 9, 12				-
		1				6, 8, 12	3.4, 5, 9, 10				-

*Individually test each Input using the pin connections shown.

**Logic "1" limits apply from no load (0 mAdc) to full load (-2.5 mAdc)

Switching Speed*** (fan-out = 15 pF)	Symbol	Pin Under Test	AC Parameters (typical)	Unit	Pulse In	Pulse Out	-4.0 Vdc V _{EE}	+1.2 Vdc V _{CC}
Propagation Delay	t ₁₂₊₂₊	2	13	ns	12	2	3, 4, 5, 6, 7, 8, 9, 10	14
	t ₁₂₋₂₋	2	14					
Rise Time	t ₂₊	2	4					
Fall Time	t ₂₋	2	6					
Propagation Delay	t ₁₂₋₁₊	1	13					
	t ₁₂₊₁₋	1	14					
Rise Time	t ₁₊	1	4					
Fall Time	t ₁₋	1	6					

***Switching speed measurements are made from the input which presents the longest delay path to the signal. Delays from all other inputs are shorter.



APPLICATIONS INFORMATION

The MC1046 may be used as a parity checker-generator for EVEN or ODD parity simultaneously.

A highly versatile, can-count saving use of the MC1046 is in a Single-error Hamming Parity Code Detection and Correction circuit as shown here. A system word of 8 bits was used for simplicity in this example although any number of bits may be used.

In this 8 bit system, 4 bits of parity are generated and the 12 bit resulting word (8 message bits and 4 parity bits) is transmitted or otherwise processed. The Hamming Parity Detection circuit re-examines the input MESSAGE BITS exactly as the generator did. However, the parity bits generated at the receiver are compared with the transmitted parity bits via the high-speed MECL II MC1030 (Quad Exclusive "OR" Gate). The output Code (if the interconnections are correct) indicates, in a Binary Code, the bit which was in error. For example, if the output of the MC1030 were 8 = 0, 4 = 1, 2 = 0 and 1 = 1 (0101), the indication would be that the fifth bit was in error.

The system shown does not fully utilize the MC1046 by taking advantage of the 8 inputs and complimentary outputs. However, larger and more complex systems can more fully utilize its available input-output capability.

