

# Power Inductors Shielded-SMT ER 12 x 9 mm Heli-Coil

POWER INDUCTORS

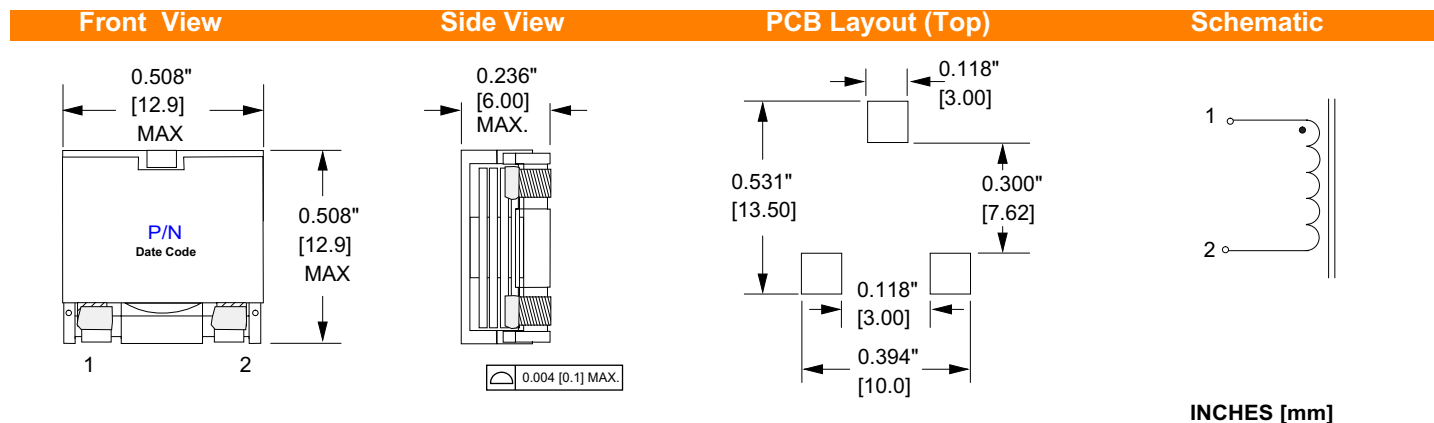
( HCER1206 Series )



**MAX. DIM :**  
**L = 12.90 mm**  
**W = 12.90 mm**  
**H = 6.00 mm**

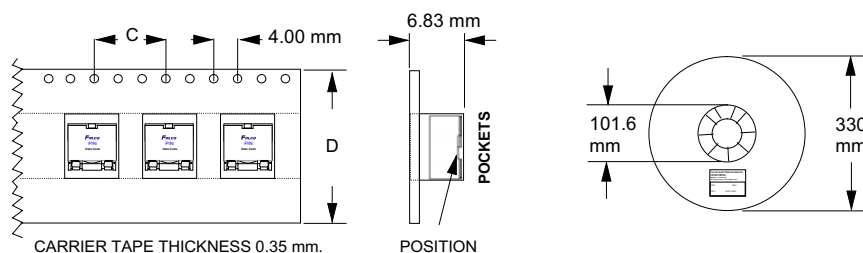
- Used in buck and boost DC/DC converters.
- Magnetically shielded for low EMI radiation.
- Current rating up to 14 Amps.
- Large energy storage and DC current capability.
- Suitable for either wave or reflow soldering process.
- Cost effective solution for high power requirements.
- Construction meet 155°C rated material.
- Energy storage limit of 200  $\mu$ J.
- Tape & Reel : 500 pcs/Reel, 5 Reels/Box.

## MECHANICAL SPECIFICATIONS



## Packaging Information

## Tape & Reel



ITEM	DESCRIPTION	QTY.
A	QTY. PER REEL	500
B	QTY. PER BOX	2500
C	PITCH	16mm
D	TAPE WIDTH	24mm

See tape and reel information 63-008

## ELECTRICAL SPECIFICATIONS

FALCO PART NUMBER	Inductance ( $\mu$ H)	Saturation Current (A)	Rated Current (A)	DC Resistance (m $\Omega$ )
	$L_i$ (at 25°C) <sup>1</sup>	$I_{sat}$ (at 25°C) <sup>2</sup>	T= 40°C <sup>3</sup>	max. (at 25°C)
ER1205	1.5 $\pm$ 20%	14.0	16.5	2.50
ER1204	6.0 $\pm$ 20%	6.0	7.5	8.00

1.  $L_i$  = Initial inductance tested at 100 KHz 0.25 V & 0 ADC.
2.  $I_{SAT}$  = DC current value at which  $L_i$  decreases to 90% typ.
3. The DC current value at which T of coil rises 40 °C typ.
4. Operating Temp. range -40°C to +125°C.
5. Storage Temperature Range -40°C to +85°C

# Power Inductors Shielded-SMT ER 12 x 9 mm Heli-Coil

(HCER1206 Series)



## Inductance vs Current

