

CY7C1021V

64K x 16 Static RAM

Features

- 3.3V operation (3.0V–3.6V)
- High speed
 - $t_{AA} = 10/12/15$ ns
- CMOS for optimum speed/power
- Low active power (L version)
 - 576 mW (max.)
- Low CMOS Standby Power (L version)
 - 1.80 mW (max.)
- Automatic power-down when deselected
- Independent Control of Upper and Lower bits
- Available in 44-pin TSOP II and 400-mil SOJ
- Available in a 48 ball mini BGA package

Functional Description

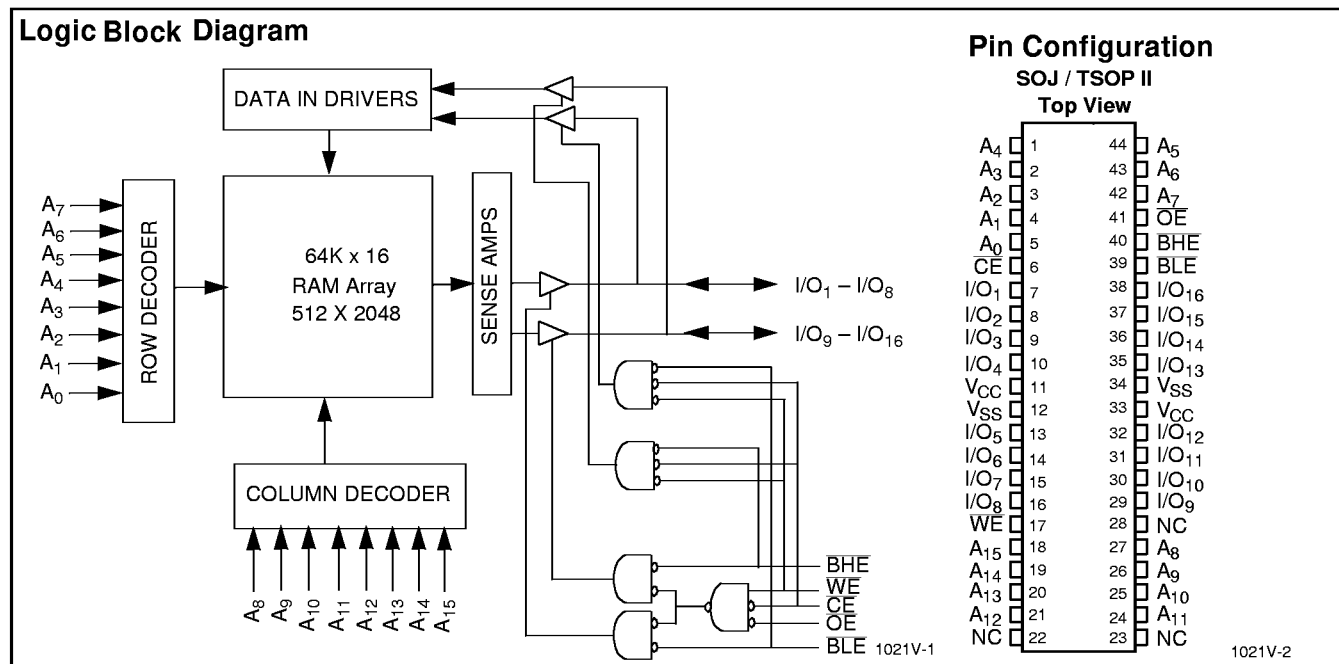
The CY7C1021V is a high-performance CMOS static RAM organized as 65,536 words by 16 bits. This device has an automatic power-down feature that significantly reduces power consumption when deselected.

Writing to the device is accomplished by taking chip enable (\overline{CE}) and write enable (\overline{WE}) inputs LOW. If byte low enable (\overline{BLE}) is LOW, then data from I/O pins (I/O_1 through I/O_8), is written into the location specified on the address pins (A_0 through A_{15}). If byte high enable (\overline{BHE}) is LOW, then data from I/O pins (I/O_9 through I/O_{16}) is written into the location specified on the address pins (A_0 through A_{15}).

Reading from the device is accomplished by taking chip enable (\overline{CE}) and output enable (\overline{OE}) LOW while forcing the write enable (\overline{WE}) HIGH. If byte low enable (\overline{BLE}) is LOW, then data from the memory location specified by the address pins will appear on I/O_1 to I/O_8 . If byte high enable (\overline{BHE}) is LOW, then data from memory will appear on I/O_9 to I/O_{16} . See the truth table at the back of this datasheet for a complete description of read and write modes.

The input/output pins (I/O_1 through I/O_{16}) are placed in a high-impedance state when the device is deselected (\overline{CE} HIGH), the outputs are disabled (\overline{OE} HIGH), the \overline{BHE} and \overline{BLE} are disabled (\overline{BHE} , \overline{BLE} HIGH), or during a write operation (\overline{CE} LOW, and \overline{WE} LOW).

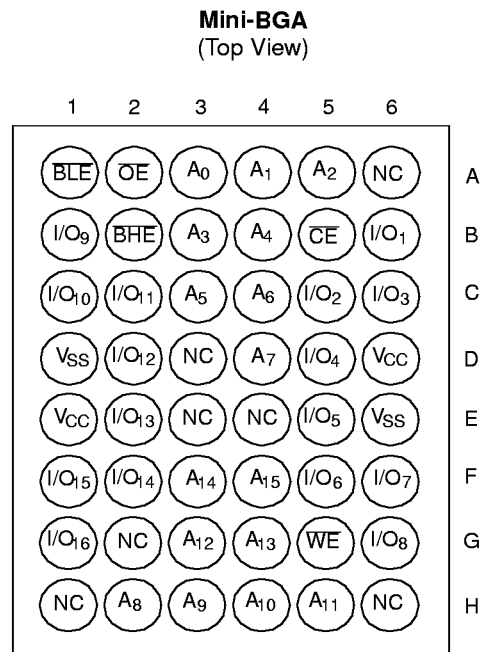
The CY7C1021V is available in 400-mil-wide SOJ, standard 44-pin TSOP Type II, and in 48 ball mini BGA packages.



Selection Guide

		7C1021V-10	7C1021V-12	7C1021V-15
Maximum Access Time (ns)		10	12	15
Maximum Operating Current (mA)	Commercial	210	200	190
	L	160	150	140
Maximum CMOS Standby Current (mA)	Commercial	5	5	5
	L	0.500	0.500	0.500

Pin Configurations (continued)



Maximum Ratings

(Above which the useful life may be impaired. For user guidelines, not tested.)

- Storage Temperature -65°C to +150°C
- Ambient Temperature with
Power Applied -55°C to +125°C
- Supply Voltage on V_{CC} to Relative GND^[1] -0.5V to +4.6V
- DC Voltage Applied to Outputs
in High Z State^[1] -0.5V to V_{CC} +0.5V
- DC Input Voltage^[1] -0.5V to V_{CC} +0.5V

Notes:

1. V_{IL} (min.) = -2.0V for pulse durations of less than 20 ns.
2. T_A is the "instant on" case temperature.

- Current into Outputs (LOW) 20 mA
- Static Discharge Voltage >2001V
(per MIL-STD-883, Method 3015)
- Latch-Up Current >200 mA

Operating Range

Range	Ambient Temperature ^[2]	V _{CC}
Commercial	0°C to +70°C	3.3V ± 10%
Industrial	-40°C to +85°C	3.3V ± 10%

Electrical Characteristics Over the Operating Range

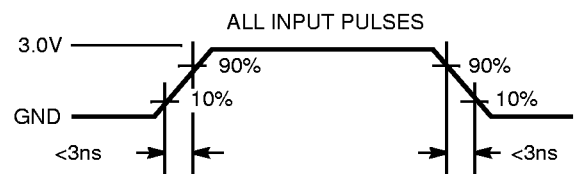
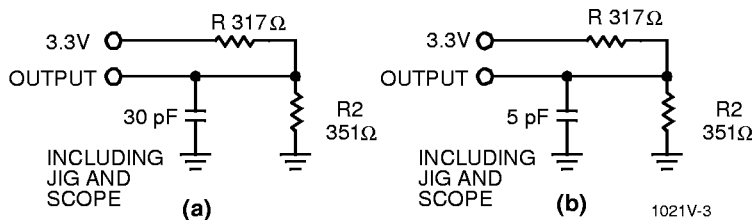
Parameter	Description	Test Conditions	7C1021V-10		7C1021V-12		7C1021V-15		Unit
			Min.	Max.	Min.	Max.	Min.	Max.	
V _{OH}	Output HIGH Voltage	V _{CC} = Min., I _{OH} = -4.0 mA	2.2		2.4		2.4		V
V _{OL}	Output LOW Voltage	V _{CC} = Min., I _{OL} = 8.0 mA		0.4		0.4		0.4	V
V _{IH}	Input HIGH Voltage		2.0	V _{CC} +0.3V	2.0	V _{CC} +0.3V	2.0	V _{CC} +0.3V	V
V _{IL}	Input LOW Voltage ^[1]		-0.3	0.8	-0.3	0.8	-0.3	0.8	V
I _{IX}	Input Load Current	GND ≤ V _I ≤ V _{CC}	-1	+1	-1	+1	-1	+1	μA
I _{OZ}	Output Leakage Current	GND ≤ V _I ≤ V _{CC} , Output Disabled	-1	+1	-1	+1	-1	+1	μA
I _{CC}	V _{CC} Operating Supply Current	V _{CC} = Max., I _{OUT} = 0 mA, f = f _{MAX} = 1/t _{RC}		210		200		190	mA
			L	160		150		140	mA
I _{SB1}	Automatic CE Power-Down Current —TTL Inputs	Max. V _{CC} , CE ≥ V _{IH} , V _{IN} ≥ V _{IH} or V _{IN} ≤ V _{IL} , f = f _{MAX}		40		40		40	mA
I _{SB2}	Automatic CE Power-Down Current —CMOS Inputs	Max. V _{CC} , CE ≥ V _{CC} - 0.3V, V _{IN} ≥ V _{CC} - 0.3V, or V _{IN} ≤ 0.3V, f=0		5		5		5	mA
			L	500		500		500	μA

Capacitance^[3]

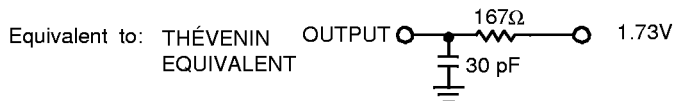
Parameter	Description	Test Conditions	Max.	Unit
C _{IN}	Input Capacitance	T _A = 25°C, f = 1 MHz,	6	pF
C _{OUT}	Output Capacitance		8	pF

Note:

- Tested initially and after any design or process changes that may affect these parameters.

AC Test Loads and Waveforms


1021V-4





Switching Characteristics^[4] Over the Operating Range

Parameter	Description	7C1021V-10		7C1021V-12		7C1021V-15		Unit
		Min.	Max.	Min.	Max.	Min.	Max.	
READ CYCLE								
t _{RC}	Read Cycle Time	10		12		15		ns
t _{AA}	Address to Data Valid		10		12		15	ns
t _{OHA}	Data Hold from Address Change	3		3		3		ns
t _{ACE}	CE LOW to Data Valid		10		12		15	ns
t _{DOE}	OE LOW to Data Valid		4		6		7	ns
t _{LZOE}	OE LOW to Low Z	0		0		0		ns
t _{HZOE}	OE HIGH to High Z ^[5, 6]		5		6		7	ns
t _{LZCE}	CE LOW to Low Z ^[6]	3		3		3		ns
t _{HZCE}	CE HIGH to High Z ^[5, 6]		5		6		7	ns
t _{PU}	CE LOW to Power-Up	0		0		0		ns
t _{PD}	CE HIGH to Power-Down		12		12		15	ns
t _{DBE}	Byte enable to Data Valid		5		6		7	ns
t _{LZBE}	Byte enable to Low Z	0		0		0		ns
t _{HZBE}	Byte disable to High Z		5		6		7	ns
WRITE CYCLE^[7]								
t _{WC}	Write Cycle Time	10		12		15		ns
t _{SCE}	CE LOW to Write End	8		8		10		ns
t _{AW}	Address Set-Up to Write End	7		8		10		ns
t _{HA}	Address Hold from Write End	0		0		0		ns
t _{SA}	Address Set-Up to Write Start	0		0		0		ns
t _{PWE}	WE Pulse Width	8		8		10		ns
t _{SD}	Data Set-Up to Write End	6		6		8		ns
t _{HD}	Data Hold from Write End	0		0		0		ns
t _{LZWE}	WE HIGH to Low Z ^[6]	3		3		3		ns
t _{HZWE}	WE LOW to High Z ^[5, 6]		5		6		7	ns
t _{BW}	Byte enable to end of write	8		8		9		ns

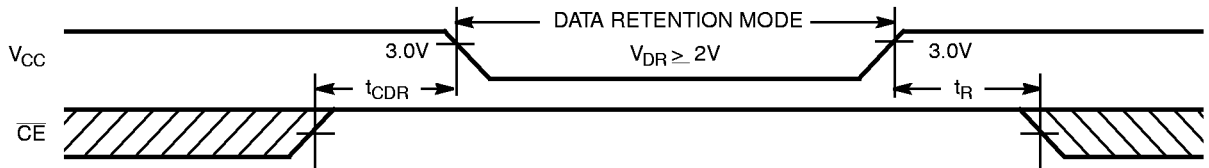
Data Retention Characteristics Over the Operating Range (L version only)

Parameter	Description		Conditions ^[10]	Min.	Max.	Unit
V _{DR}	V _{CC} for Data Retention			2.0		V
I _{CCDR}	Data Retention Current	Com'l	V _{CC} = V _{DR} = 3.0V, CE ≥ V _{CC} - 0.3V, V _{IN} ≥ V _{CC} - 0.3V or V _{IN} ≤ 0.3V		100	μA
t _{CDR} ^[8]	Chip Deselect to Data Retention Time			0		ns
t _R ^[9]	Operation Recovery Time			t _{RC}		ns

Notes:

- Test conditions assume signal transition time of 3 ns or less, timing reference levels of 1.5V, input pulse levels of 0 to 3.0V, and output loading of the specified I_{OL}/I_{OH} and 30-pF load capacitance.
- t_{HZOE}, t_{HZBE}, t_{HZCE}, and t_{HZWE} are specified with a load capacitance of 5 pF as in part (b) of AC Test Loads. Transition is measured ±500 mV from steady-state voltage.
- At any given temperature and voltage condition, t_{HZCE} is less than t_{LZCE}, t_{HZOE} is less than t_{LZOE}, and t_{HZWE} is less than t_{LZWE} for any given device.
- The internal write time of the memory is defined by the overlap of CE LOW, WE LOW and BHE / BLE LOW. CE, WE and BHE / BLE must be LOW to initiate a write, and the transition of these signals can terminate the write. The input data set-up and hold timing should be referenced to the leading edge of the signal that terminates the write.
- Tested initially and after any design or process changes that may affect these parameters.
- t_r ≤ 3 ns for the -12 and -15 speeds. t_r ≤ 5 ns for the -20 and slower speeds.
- No input may exceed V_{CC} + 0.5V.

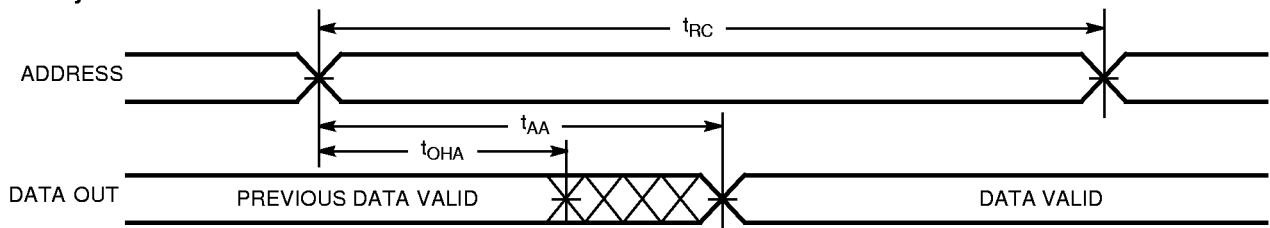
Data Retention Waveform



1021V-5

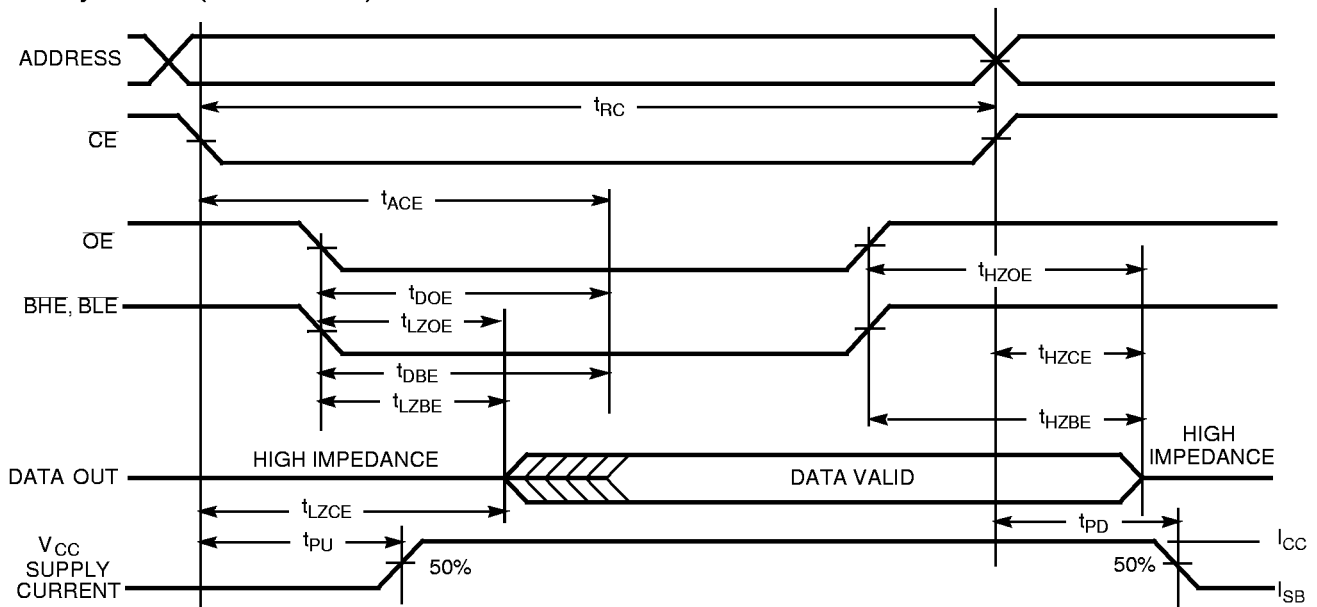
Switching Waveforms

Read Cycle No.1 ^[11, 12]



1021V-6

Read Cycle No.2 (OE Controlled) ^[12, 13]



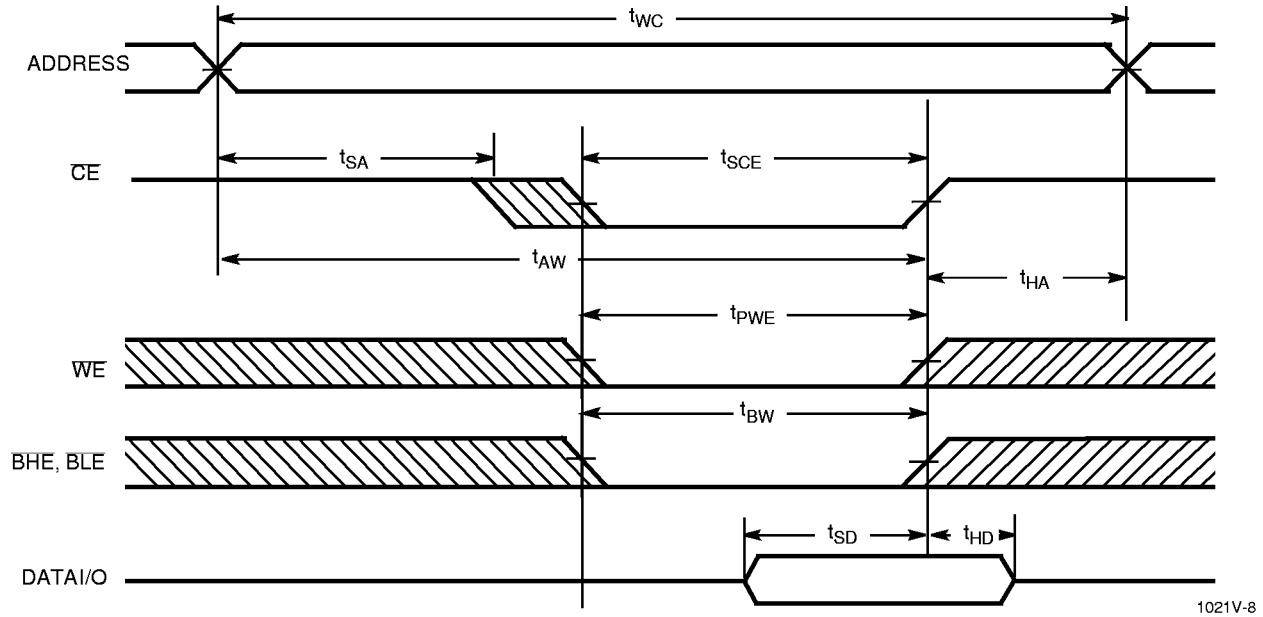
1021V-7

Notes:

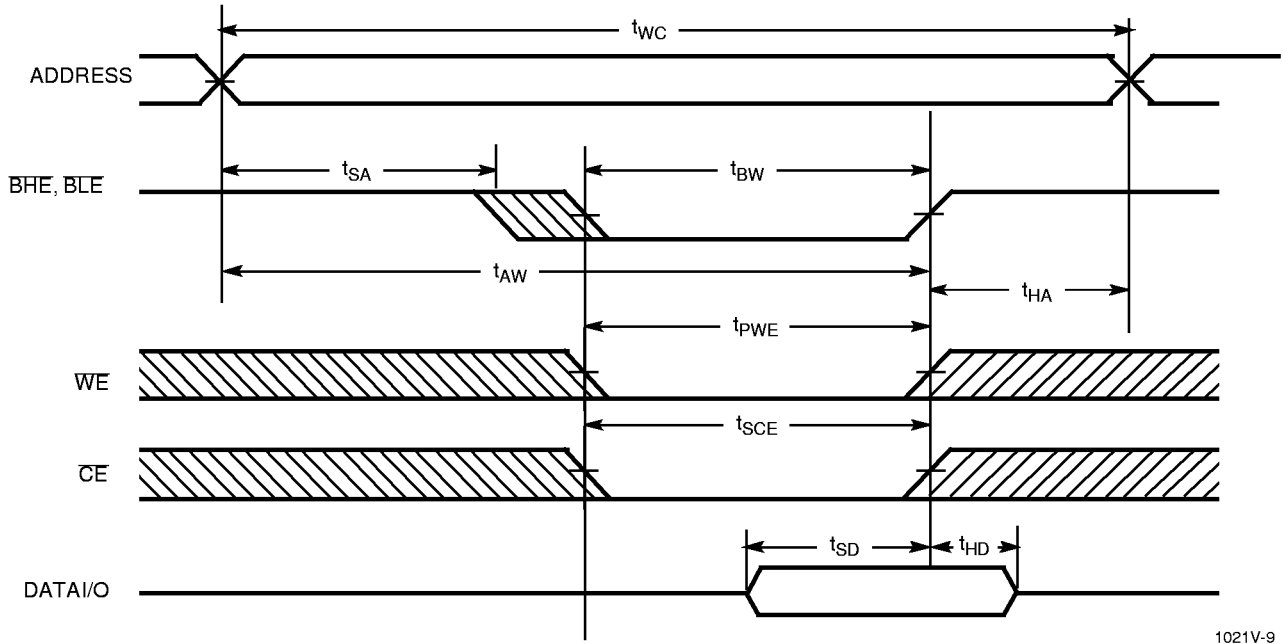
- 11. Device is continuously selected. OE , CE , BHE , and/or $BLE = V_{IL}$
- 12. WE is HIGH for read cycle.
- 13. Address valid prior to or coincident with OE transition LOW.

Switching Waveforms (continued)

Write Cycle No. 1 (CE Controlled) ^[14, 15]



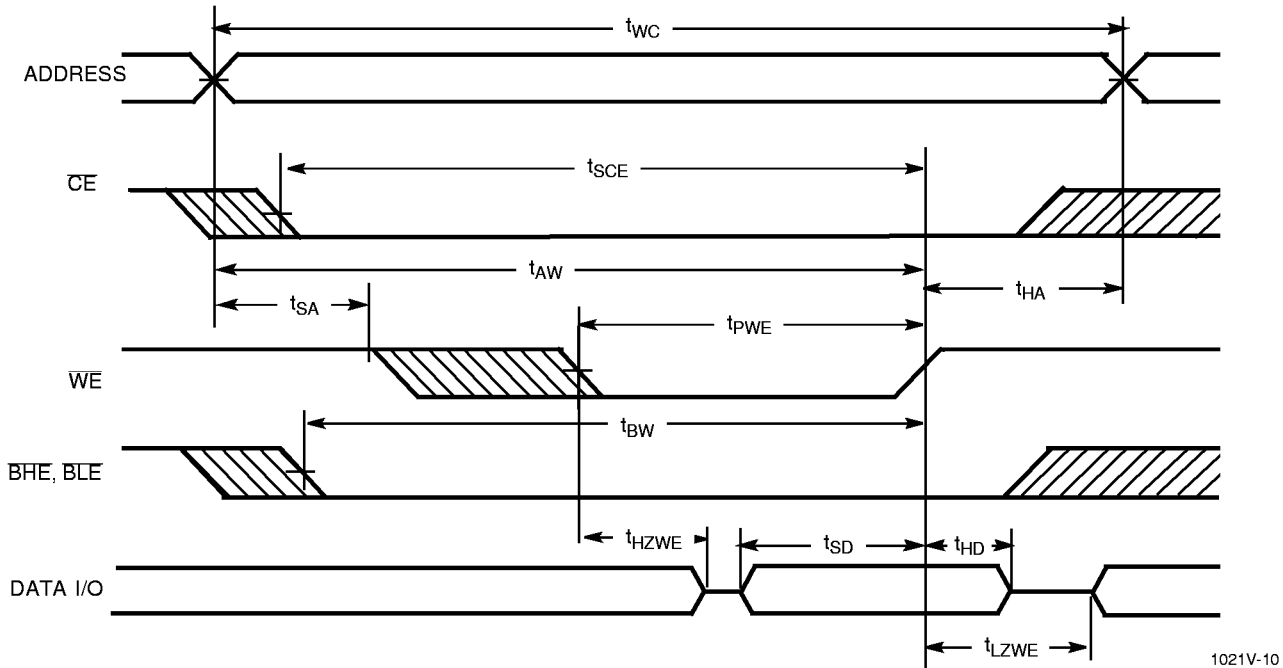
Write Cycle No. 2 (BLE or BHE Controlled)



Notes:

- 14. Data I/O is high impedance if \overline{CE} or \overline{BHE} and/or $\overline{BLE} = V_{IH}$.
- 15. If \overline{CE} goes HIGH simultaneously with \overline{WE} going HIGH, the output remains in a high-impedance state.

Switching Waveforms (continued)

Write Cycle No.3 (WE Controlled, OE LOW)


1021V-10

Truth Table

CE	OE	WE	BLE	BHE	I/O ₁ -I/O ₈	I/O ₉ -I/O ₁₆	Mode	Power
H	X	X	X	X	High Z	High Z	Power-Down	Standby (I _{SB})
L	L	H	L	L	Data Out	Data Out	Read - All bits	Active (I _{CC})
			L	H	Data Out	High Z	Read - Lower bits only	Active (I _{CC})
			H	L	High Z	Data Out	Read - Upper bits only	Active (I _{CC})
L	X	L	L	L	Data In	Data In	Write - All bits	Active (I _{CC})
			L	H	Data In	High Z	Write - Lower bits only	Active (I _{CC})
			H	L	High Z	Data In	Write - Upper bits only	Active (I _{CC})
L	H	H	X	X	High Z	High Z	Selected, Outputs Disabled	Active (I _{CC})
L	X	X	H	H	High Z	High Z	Selected, Outputs Disabled	Active (I _{CC})



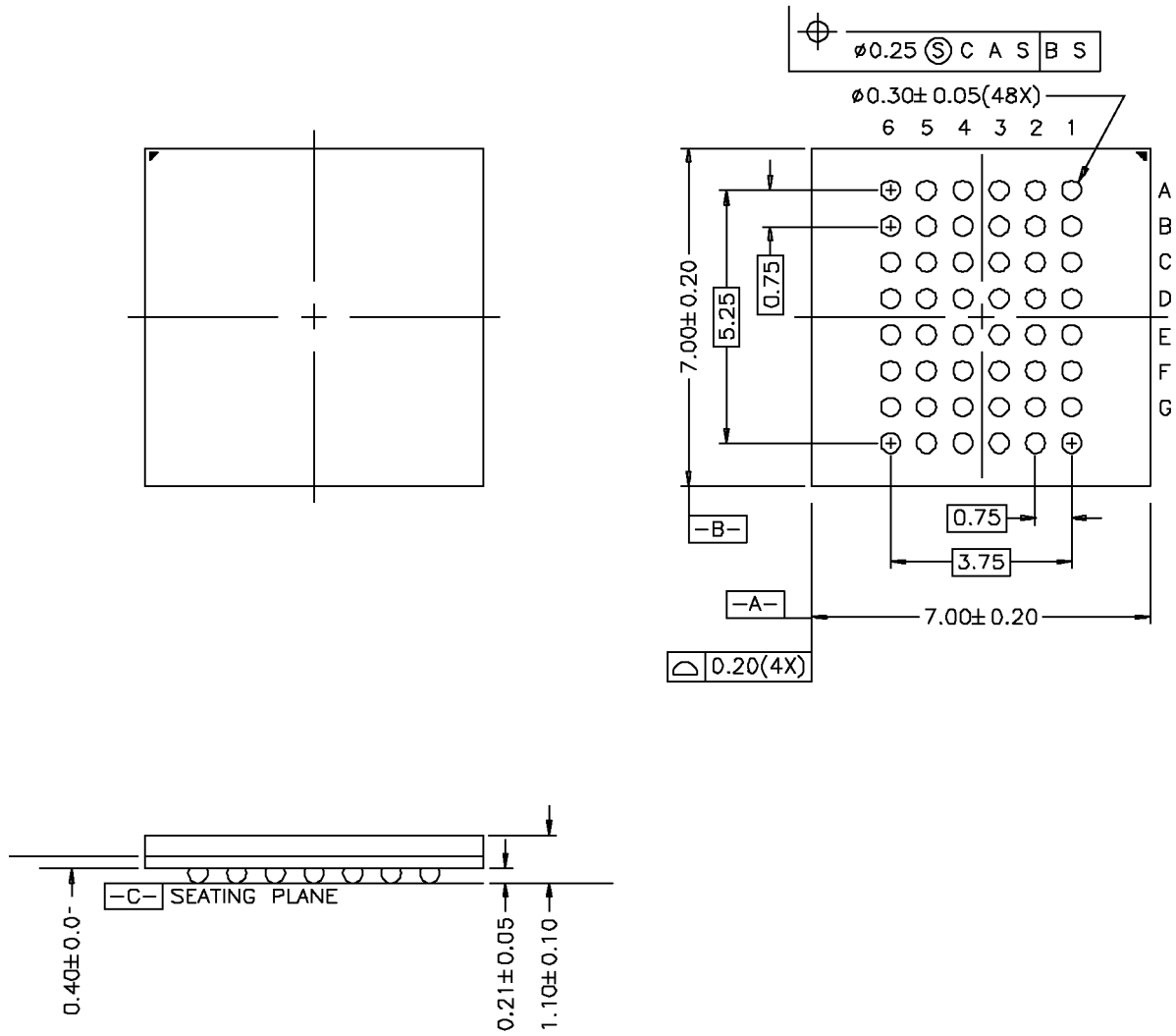
Ordering Information

Speed (ns)	Ordering Code	Package Name	Package Type	Operating Range
10	CY7C1021V33-10VC	V34	44-Lead (400-Mil) Molded SOJ	Commercial
	CY7C1021V33L-10VC	V34	44-Lead (400-Mil) Molded SOJ	
	CY7C1021V33-10ZC	Z44	44-Lead TSOP Type II	
	CY7C10201V33L-10ZC	Z44	44-Lead TSOP Type II	
12	CY7C1021V33-12BAC	BA48	48-ball mini Ball Grid Array (7.00mm x 7.00mm)	Commercial
	CY7C1021V33-12VC	V34	44-Lead (400-Mil) Molded SOJ	
	CY7C1021V33L-12VC	V34	44-Lead (400-Mil) Molded SOJ	
	CY7C1021V33-12ZC	Z44	44-Lead TSOP Type II	
	CY7C1021V33L-12ZC	Z44	44-Lead TSOP Type II	Industrial
	CY7C1021V33-12BAI	BA48	48-ball mini Ball Grid Array (7.00mm x 7.00mm)	
	CY7C1021V33-12VI	V34	44-Lead (400-Mil) Molded SOJ	
15	CY7C1021V33-15BAC	BA48	48-ball mini Ball Grid Array (7.00mm x 7.00mm)	Commercial
	CY7C1021V33L-15BAC	BA48	48-ball mini Ball Grid Array (7.00mm x 7.00mm)	
	CY7C1021V33-15VC	V34	44-Lead (400-Mil) Molded SOJ	
	CY7C1021V33L-15VC	V34	44-Lead (400-Mil) Molded SOJ	
	CY7C1021V33-15ZC	Z44	44-Lead TSOP Type II	
	CY7C1021V33L-15ZC	Z44	44-Lead TSOP Type II	
	CY7C1021V33-15BAI	BA48	48-ball mini Ball Grid Array (7.00mm x 7.00mm)	Industrial
	CY7C1021V33L-15BAI	BA48	48-ball mini Ball Grid Array (7.00mm x 7.00mm)	
	CY7C1021V33-15VI	V34	44-Lead (400-Mil) Molded SOJ	
	CY7C1021V33L-15ZI	Z44	44-Lead TSOP Type II	

Document #: 38-00544-B

Package Diagrams

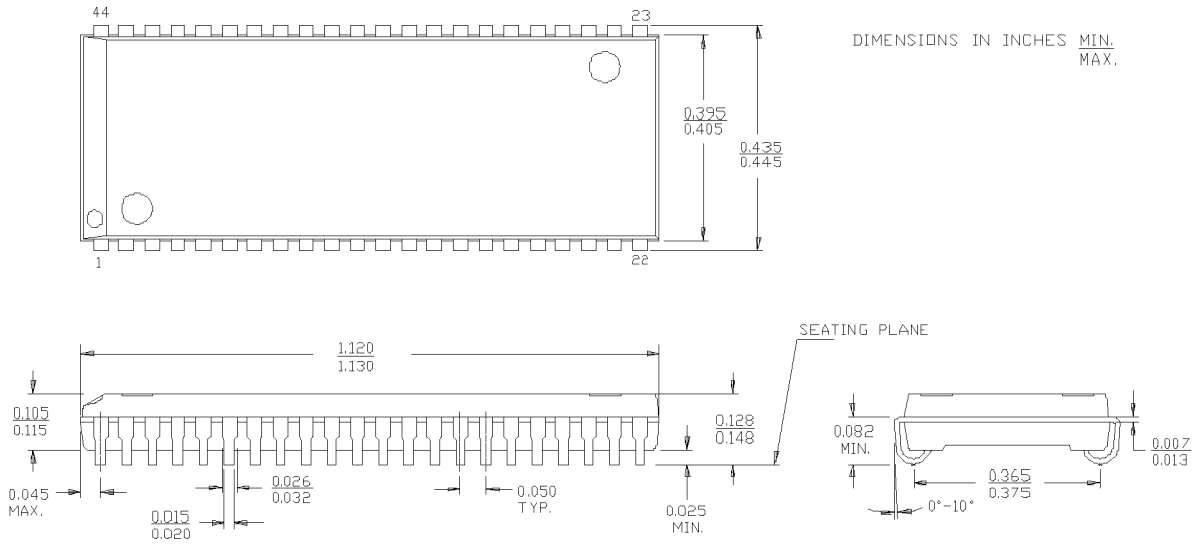
48-Ball (7.00 mm x 7.00 mm) Mini Ball Grid Array BA48





Package Diagrams (continued)

44-Lead (400-Mil) Molded SOJ V34



44-Pin TSOP II Z44

