

National Semiconductor is now part of
Texas Instruments.

Search <http://www.ti.com/> for the latest technical
information and details on our current products and services.

LM27213

Single Phase Hysteretic Buck Controller

General Description

The LM27213 is a single-phase synchronous buck regulator controller designed to fully support a portable microprocessor. On-chip gate drive makes for a compact, single chip solution. Output currents in excess of 25 Amps are possible. The IC employs a current mode hysteretic control mechanism. Inductor current is sensed through a low value sense resistor.

The LM27213 will operate over an input voltage range of 5V to 30V. The output voltage is programmed through 6 Voltage Identification (VID) pins and ranges from 0.700V to 1.708V in 64 steps.

Since the error in the output voltage directly sets the inductor current, the dynamic response to a large, fast load transient is close to a square wave. This is optimal for mode transition requirements. Also, due to the intrinsic input voltage feedforward characteristic of hysteretic control, the line transient response is excellent as well.

The IC provides cycle-by-cycle peak current limit, over-voltage protection, and a power good signal. The LM27213 fully supports the Stop CPU and Sleep modes offered by some processors. When enabled, the IC enters a power-saving "diode emulator" mode which helps prolong battery runtime for portable systems.

The LM27213 also has a soft start feature for the external adjustment of soft start speed.

Features

- Ideal load and line transient responses
- 5V to 30V input range
- On-chip gate drive
- Convenient CLK_EN# signal
- Input under-voltage lockout
- High light-load efficiency
- Adjustable analog soft start
- Peak current limit
- Over-voltage protection
- Error correction for good static accuracy
- $\pm 1\%$ DAC accuracy over temperature
- Interfaces with the LM2647 system supply
- Available in TSSOP or tiny LLP package

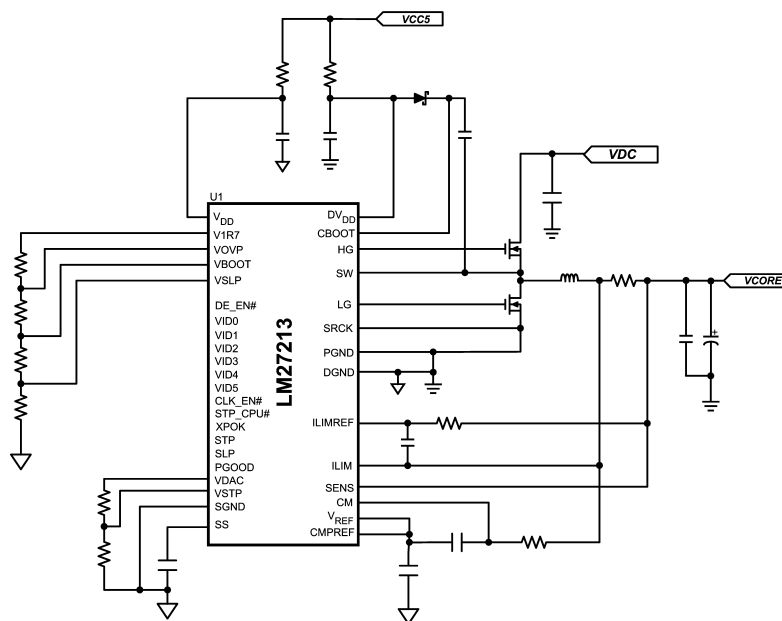
Applications

- Core voltage supply for Low Power Processors
- Low voltage high current buck regulators

Benefits

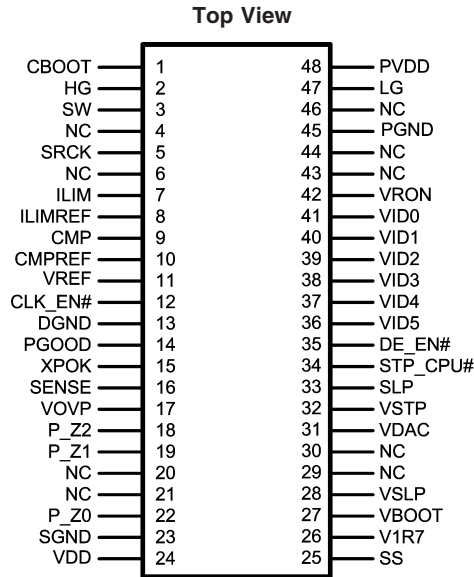
- Single chip core power solution
- Minimum output capacitance required
- Low cost, compact design

Typical Application

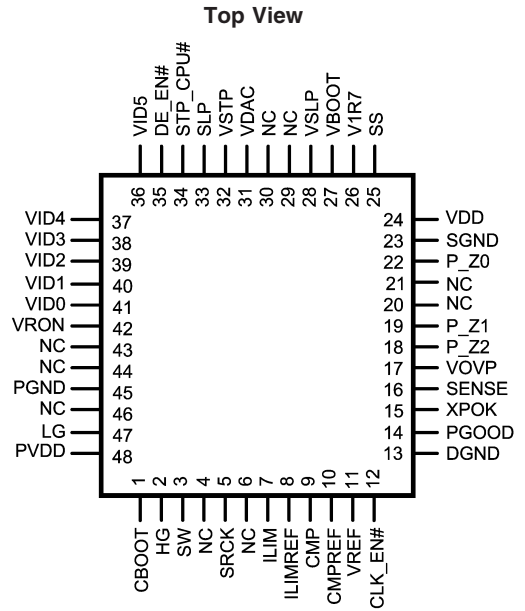


20154330

Connection Diagrams



20154301
48-Lead TSSOP (MTD)
 See NS Package Number MTD48



20154302
48-Lead LLP
 NS Package Number SQA48A

Ordering Information

Order Number	Package Drawing	Supplied As
LM27213MTD	MTD48	38 Units/Rail
LM27213MTDX	MTD48	1000 Units Tape and Reel
LM27213SQ	SQA48A	1000 Units Tape and Reel
LM27213SQX	SQA48A	4500 Units Tape and Reel

Pin Descriptions (TSSOP/LLP)

Pin 1, CBOOT: Connection for the high-side drive bootstrap capacitor.

Pin 2, HG: High-side FET gate drive output.

Pin 3, SW: Connect to switch node (drain of bottom power FET) to detect inductor current reversal. Also serves as the return path for the high-side FET gate drive currents.

Pin 4, NC: No connect.

Pin 5, SRCK: Source Kelvin. Connect directly to source of low-side FET to detect negative inductor current.

Pin 6, NC: No connect

Pin 7, ILIM: Over-current sense. Voltage between this pin and the regulator output is the voltage across the current sense resistor.

Pin 8, ILIMREF: Current limit reference. Voltage between this pin and the regulator output sets the inductor current limit level.

Pin 9, CMP: Current sense. Voltage between this pin and the regulator output sets the cycle by cycle inductor current.

Pin 10, CMPREF: Inductor current reference. Voltage between this pin and the regulator output programs the inductor current.

Pin 11, VREF: Desired regulator output voltage under no load.

Pin 12, CLK_EN#: Signal to start clock chip PLL locking. A low level indicates that the core supply is now stable and the CPU can begin clocking.

Pin 13, DGND: Digital ground.

Pin 14, PGOOD: Power good flag. Open-drain output. Logic high when output voltage enters the power good window and XPOK is asserted. Masked during transitions.

Pin 15, XPOK: Input that tells the LM27213 that the supply voltage for the Memory Controller Hub is up. The LM27213 will regulate the output voltage to VBOOT until XPOK transitions to a high state. PGOOD is forced low as long as this pin is low.

Pin 16, SENSE: Regulator output voltage sense. Connect directly to output.

Pin 17, VOVP: Over-voltage protection level. Connect this pin to the desired reference voltage to set the trigger level for over-voltage protection.

Pins 18 P_Z2: Factory reference trim, do not connect. This pin must float.

Pin 19, P_Z1: Factory reference trim, do not connect. This pin must float.

Pins 20 NC: No connect.

Pin 21, NC: No connect

Pin 22, P_Z0: Factory reference trim, do not connect. This pin must float.

Pin 23, SGND: Signal Ground.

Pin 24, VDD: Chip power supply.

Pin 25, SS: : Soft start, soft shutdown and slew rate control. Connect a capacitor between this pin and ground to control the soft start and soft shutdown speed. The value of the capacitor will also define the slew rate of the dynamic VID transitions.

Pin 26, VIR7: 1.7V reference voltage.

Pin 27, VBOOT: Initial output voltage desired after soft start completes. Connect this pin to the desired reference level.

Pin 28, VSLEP: Desired Voltage in Sleep Mode. Connect this pin to the desired reference level.

Pin 29, NC: : No connect.

Pin 30, NC: No connect.

Pin 31, VDACC: Buffered Digital-to-Analog converter output.

Pins 32, VSTP: Desired output voltage in Stop CPU mode. Connect this pin to the desired reference level.

Pin 33, SLP: When this pin is logic high, VREF voltage is equal to that on the VSLEP pin.

Pin 34, STP_CPU#: When this pin is logic low, VREF voltage is equal to that on the VSTP pin.

Pin 35, DE_EN#: Power saving mode trigger signal. Enables diode emulation.

Pin 36, VID5: 6th and most significant bit to program the output voltage.

Pin 37, VID4: 5th bit to program the output voltage.

Pin 38, VID3: 4th bit to program the output voltage.

Pin 39, VID2: 3rd bit to program the output voltage.

Pin 40, VID1: 2nd bit to program the output voltage.

Pin 41, VID0: First and least significant bit to program the output voltage.

Pin 42, VR_ON: Chip enable input.

Pin 43, NC: No connect

Pin 44, NC: No connect.

Pin 45, PGND: Power Ground. Connect to ground plane.

Pin 46, NC: Power ground connection.

Pin 47, LG: Low-side FET gate drive output.

Pin 48, PVDD: Power input for the gate drives.

VID						Voltage (V)	VID						Voltage (V)
5	4	3	2	1	0		5	4	3	2	1	0	
0	0	0	0	0	0	1.708	1	0	0	0	0	0	1.196
0	0	0	0	0	1	1.692	1	0	0	0	0	1	1.180
0	0	0	0	1	0	1.676	1	0	0	0	1	0	1.164
0	0	0	0	1	1	1.660	1	0	0	0	1	1	1.148
0	0	0	1	0	0	1.644	1	0	0	1	0	0	1.132
0	0	0	1	0	1	1.628	1	0	0	1	0	1	1.116
0	0	0	1	1	0	1.612	1	0	0	1	1	0	1.100
0	0	0	1	1	1	1.596	1	0	0	1	1	1	1.084
0	0	1	0	0	0	1.580	1	0	1	0	0	0	1.068
0	0	1	0	0	1	1.564	1	0	1	0	0	1	1.052
0	0	1	0	1	0	1.548	1	0	1	0	1	0	1.036
0	0	1	0	1	1	1.532	1	0	1	0	1	1	1.020
0	0	1	1	0	0	1.516	1	0	1	1	0	0	1.004
0	0	1	1	0	1	1.500	1	0	1	1	0	1	0.988
0	0	1	1	1	0	1.484	1	0	1	1	1	0	0.972
0	0	1	1	1	1	1.468	1	0	1	1	1	1	0.956
0	1	0	0	0	0	1.452	1	1	0	0	0	0	0.940
0	1	0	0	0	1	1.436	1	1	0	0	0	1	0.924
0	1	0	0	1	0	1.420	1	1	0	0	1	0	0.908
0	1	0	0	1	1	1.404	1	1	0	0	1	1	0.892
0	1	0	1	0	0	1.388	1	1	0	1	0	0	0.876
0	1	0	1	0	1	1.372	1	1	0	1	0	1	0.860
0	1	0	1	1	0	1.356	1	1	0	1	1	0	0.844
0	1	0	1	1	1	1.340	1	1	0	1	1	1	0.828
0	1	1	0	0	0	1.324	1	1	1	0	0	0	0.812
0	1	1	0	0	1	1.308	1	1	1	0	0	1	0.796
0	1	1	0	1	0	1.292	1	1	1	0	1	0	0.780
0	1	1	0	1	1	1.276	1	1	1	0	1	1	0.764
0	1	1	1	0	0	1.260	1	1	1	1	0	0	0.748
0	1	1	1	0	1	1.244	1	1	1	1	0	1	0.732
0	1	1	1	1	0	1.228	1	1	1	1	1	0	0.716
0	1	1	1	1	1	1.212	1	1	1	1	1	1	0.700

Absolute Maximum Ratings (Note 1)

If Military/Aerospace specified devices are required, please contact the National Semiconductor Sales Office/Distributors for availability and specifications.

VDD, DVDD XPOK, VR_ON, DE_EN#, VOVP, VBOOT, VID0 to VID5, STP_CPU#, SLP, VSLP, VSTP, SENSE, CMP1, CMP2, CMPREF, ILIM1, ILIM2, ILIMREF	-0.3V to 7V
PGOOD	-0.3V to 6V
SW to GND (Note 6)	-2V to 30V
CBOOT to SW	-0.3V to 8V
Power Dissipation TSSOP, TA = 25°C, (Note 2)	1.56W

SQA, TA = 25°C, (Note 2)	4.9W
Junction Temperature	+150°C
Functional Temp. Range	-20°C to +110°C
ESD Rating (Note 4)	2kV
Storage Temp Range	-65°C to +150°C
Soldering Dwell Time, Temperature	
Wave	4sec, 260°C
Infrared	10sec, 240°C
Vapor Phase	75sec, 219°C

Operating Ratings (Note 1)

VDD	4.75V to 6V
Junction Temperature	-5°C to +110°C
Ambient Temperature	-5°C to +105°C

Electrical Characteristics Specifications with standard typeface are for $T_J = 25^\circ\text{C}$, and those in **bold face type** apply over a junction temperature range of -5°C to $+110^\circ\text{C}$. Unless otherwise specified, VDD = 5V, SGND = DGND = PGND = SRCK = 0V, unless otherwise stated. (Note 5)

Symbol	Parameter	Conditions	Min	Typ	Max	Units
Chip Supply						
I_{sd}	VDD Shutdown Current	VR_ON = 0V, VDD = 6V		1	10	μA
I_q	VDD Normal Operating Current	VR_ON = 3.3V		3	4.2	mA
	UVLO Threshold	VDD = V5A = V5B, rising from 0V	4	4.3	4.5	V
	UVLO Hysteresis	VDD = V5A = V5B falling from UVLO Threshold	0.2	0.66		V
Logic						
V_{LH}	VR_ON, STP_CPU#, XPOK and SLP Input Logic High	VR_ON, STP_CPU#, XPOK or SLP rising from 0V	2.31	1.9		V
V_{LL}	VR_ON, STP_CPU#, XPOK and SLP Input Logic Low	VR_ON, STP_CPU#, XPOK or SLP falling from 3.3V		1.43	0.99	V
	CLK_EN# Sink Current	CLK_EN# = 0.1V and asserted	2.5	7		mA
Power Good						
V_{PGH}	Power Good Upper Threshold As A Percentage of VREF	SENSE voltage rising from 0V	108	114	119	%
V_{PGL}	Power Good Lower Threshold As A Percentage of VREF	SENSE voltage falling from above VREF	85	88	91	%
	Hysteresis			5		%
t_{dpgood}	Power Good Delay			3		μs
I_{pgood}	PGOOD Sink Current	PGOOD = 0.1V and asserted	2.5	7		mA
Output Voltage Slew Rate Control						
$I_{ss(on)}$	Soft Start Current	SS = 0V	16	22	32	μA
$I_{ss(off)}$	Soft Shutdown Current		33	45	57	μA
$I_{ss(slew)}$	VID and Mode Change Slew Rate Control Current		255	337	415	μA
DAC and References						
VID_{LH}	VID Pins Input Logic High		0.63	0.56		V
VID_{LL}	VID Pins Input Logic Low			0.48	0.315	V

Electrical Characteristics Specifications with standard typeface are for $T_J = 25^\circ\text{C}$, and those in **bold face type** apply over a junction temperature range of -5°C to $+110^\circ\text{C}$. Unless otherwise specified, $V_{DD} = 5\text{V}$, $\text{SGND} = \text{DGND} = \text{PGND} = \text{SRCK} = 0\text{V}$, unless otherwise stated. (Note 5) (Continued)

Symbol	Parameter	Conditions	Min	Typ	Max	Units	
V_{dac}	DAC Accuracy	Measured at VREF pin				%	
		DAC codes from 0.7V to 0.828V	-1.3		1.3		
		DAC codes from 0.844V to 1.004V	-1.1		1.1		
		DAC codes from 1.020V to 1.196V	-0.9		0.9		
		DAC codes from 1.212V to 1.356V	-1		1		
		DAC codes from 1.372V to 1.500V	-1.1		1.1		
		DAC codes from 1.516V to 1.708V	-1.3		1.3		
V1R7	V1R7 Accuracy	17k Ω from V1R7 to GND	-1.674	1.708	1.742	V	
	VSTP Offset	VSTP = 1.398V, Measured at VREF pin	-5		5	mV	
	VBOOT Offset	VBOOT = 1.00V, Measured at VREF pin	-5		5	mV	
	VSLP Offset	VSLP = 0.748V, Measured at VREF pin	-5		5	mV	
I_{VREF}	VREF Driving Capability	source		1.3		mA	
		sink		12.6		mA	
I_{VDAC}	VDAC Driving Capability	source		1.3		mA	
		sink		13.4		mA	
I_{V1R7}	V1R7 Driving Capability	source	90	549		μA	
Error Comparator							
I_{BEC}	Error Comparator Input Bias Current (Sourcing)	CMP = 1.436V.	12	21	33	μA	
V_{OSEC}	Error Comparator Input Offset Voltage	CMPREF = 1.436V.	-3		3	mV	
I_{HYST}	Hysteresis Current (bi-directional)	$R_{\text{hys}} = 17\text{k}\Omega$	38	50	68	μA	
		$R_{\text{hys}} = 170\text{k}\Omega$		5		μA	
Current Limit							
I_{BCLC}	Current Limit Comparator Input Bias Current		9	21	35	μA	
V_{OSCLC}	Current Limit Comparator Input Offset Voltage	ILIMREF = 1.436V.	-2		2	mV	
		Current Limit Setting Current	$R_{\text{hys}} = 17\text{k}\Omega$, ILIMREF < ILIMx	280	337	395	μA
			$R_{\text{hys}} = 17\text{k}\Omega$, ILIMREF > ILIMx		250		μA
			$R_{\text{hys}} = 170\text{k}\Omega$, ILIMREF < ILIMx		30		μA
Time Delays							
t_{BOOT}	VBOOT Voltage Holdup Time	From assertion of XPOK to assertion of CLK_EN#.	10	17	30	μs	
$t_{\text{CPU_PWRGD}}$	Power Good Mask For Initial VID Voltage Settling	From assertion of CLK_EN# to assertion of PGOOD.	3	5	9	ms	
t_{MASK}	Power Good Mask For VID Changes		100	129	179	μs	
t_{dPG}	Power Good De-assertion Delay Upon Shutdown	Delay From VR_ON de-assertion to PGOOD de-assertion		60		ns	
Over-voltage Protection							
V_{TRIP}	SENSE Voltage As A Percentage of VOVP	VOVP = V1R7	109	125	139	%	
System							
$\text{DE_EN\#}_{\text{LH}}$	DE_EN# Input Logic High		0.63	0.56		V	
$\text{DE_EN\#}_{\text{LL}}$	DE_EN# Input Logic Low			0.47	0.315	V	
$I_{\text{DE_EN\#}}$	DE_EN# Pin Leakage Current	DE_EN# = 7.5V		6	100	μA	
V_{SDT}	Soft Shutdown Finish Threshold	Low-side driver enabled after shutdown		0.3		V	

Electrical Characteristics Specifications with standard typeface are for $T_J = 25^\circ\text{C}$, and those in **bold face type** apply over a junction temperature range of -5°C to $+110^\circ\text{C}$. Unless otherwise specified, $V_{DD} = 5\text{V}$, $\text{SGND} = \text{DGND} = \text{PGND} = \text{SRCK} = 0\text{V}$, unless otherwise stated. (Note 5) (Continued)

Symbol	Parameter	Conditions	Min	Typ	Max	Units
Drivers						
$I_{q\text{driver}}$	Driver Quiescent current	High drive = low, Low drive = high $V_{\text{CBOOT}} = V_{\text{DVDD}} = 5\text{V}$		14	100	μA
	Top Driver pull-up current	$V_{\text{DVdd}} = 5\text{V}$, Load = 0.1Ω		3		A
	Top Drive pull-up Rds_on	$I_{\text{CBOOT}} = I_{\text{HG}} = 0.7\text{A}$		1.2		Ω
	Top Drive pull-down current	$V_{\text{DVdd}} = 5\text{V}$, Load = 0.1Ω		-3.2		A
	Top Drive pull-down Rds_on	$I_{\text{sw}} = I_{\text{HG}} = 0.7\text{A}$		0.6		Ω
T_{RISEHG}	Top drive rise time	$C_{\text{load}} = 3.3\text{nF}$, (10% to 90%)		17		ns
t_{FALLHG}	Top drive fall time	$C_{\text{load}} = 3.3\text{nF}$, (10% to 90%)		12		ns
	Bottom driver pull-up current	$V_{\text{DVdd}} = 5\text{V}$, Load = 0.1Ω		3.2		A
	Bottom Drive pull-up Rds_on	$I_{\text{CBOOT}} = I_{\text{IG}} = 0.7\text{A}$		2.9		Ω
	Bottom Drive pull-down current	$V_{\text{DVdd}} = 5\text{V}$, Load = 0.1Ω		3.2		A
	Bottom Drive pull-down Rds_on	$I_{\text{sw}} = I_{\text{IG}} = 0.7\text{A}$		0.6		Ω
T_{RISELG}	Bottom Drive rise time	$C_{\text{load}} = 3.3\text{nF}$, (10% to 90%)		17		ns
T_{FALLLG}	Bottom Drive fall time	$C_{\text{load}} = 3.3\text{nF}$, (10% to 90%)		14		ns
T_{DLY}	Prop delay, CMP to top driver	CMP rising above CMPREF (20mV overdrive) to HG dropping to VSW + $0.9 V_{\text{DVdd}}$, $C_{\text{load}} = 3.3\text{nF}$		89		ns

Note 1: Absolute maximum ratings indicate limits beyond which damage to the device may occur. Operating Ratings are conditions under which operation of the device is guaranteed. For guaranteed performance limits and associated test conditions, see the Electrical Characteristics table. Functional temperature range is the range within which the device performs its intended functions, but not necessarily meeting the limits specified in the Electrical Characteristic table.

Note 2: The maximum allowable power dissipation is calculated by using $P_{\text{Dmax}} = (T_{\text{JMAX}} - T_{\text{A}}) / \theta_{\text{JA}}$, where T_{JMAX} is the maximum junction temperature, T_{A} is the ambient temperature, and θ_{JA} is the junction-to-ambient thermal resistance of the specified package. The TSSOP rating of 1.56W results from using 150°C , 25°C , and 80°C/W for T_{JMAX} , T_{A} , and θ_{JA} respectively. The θ_{JA} of 90°C/W represents the worst-case condition with no heat sinking of the 48-Pin TSSOP. Heat sinking allows the safe dissipation of more power. The Absolute Maximum power dissipation should be de-rated by $12.5\text{mW per }^\circ\text{C}$ above 25°C ambient. The SQA rating of 5.2W results from using 150°C , 25°C , and 24.2°C/W for T_{JMAX} , T_{A} , and θ_{JA} respectively. The Absolute Maximum power dissipation should be de-rated by $41\text{mW per }^\circ\text{C}$ above 25°C ambient. The LM27213 actively limits its junction temperature to about 150°C .

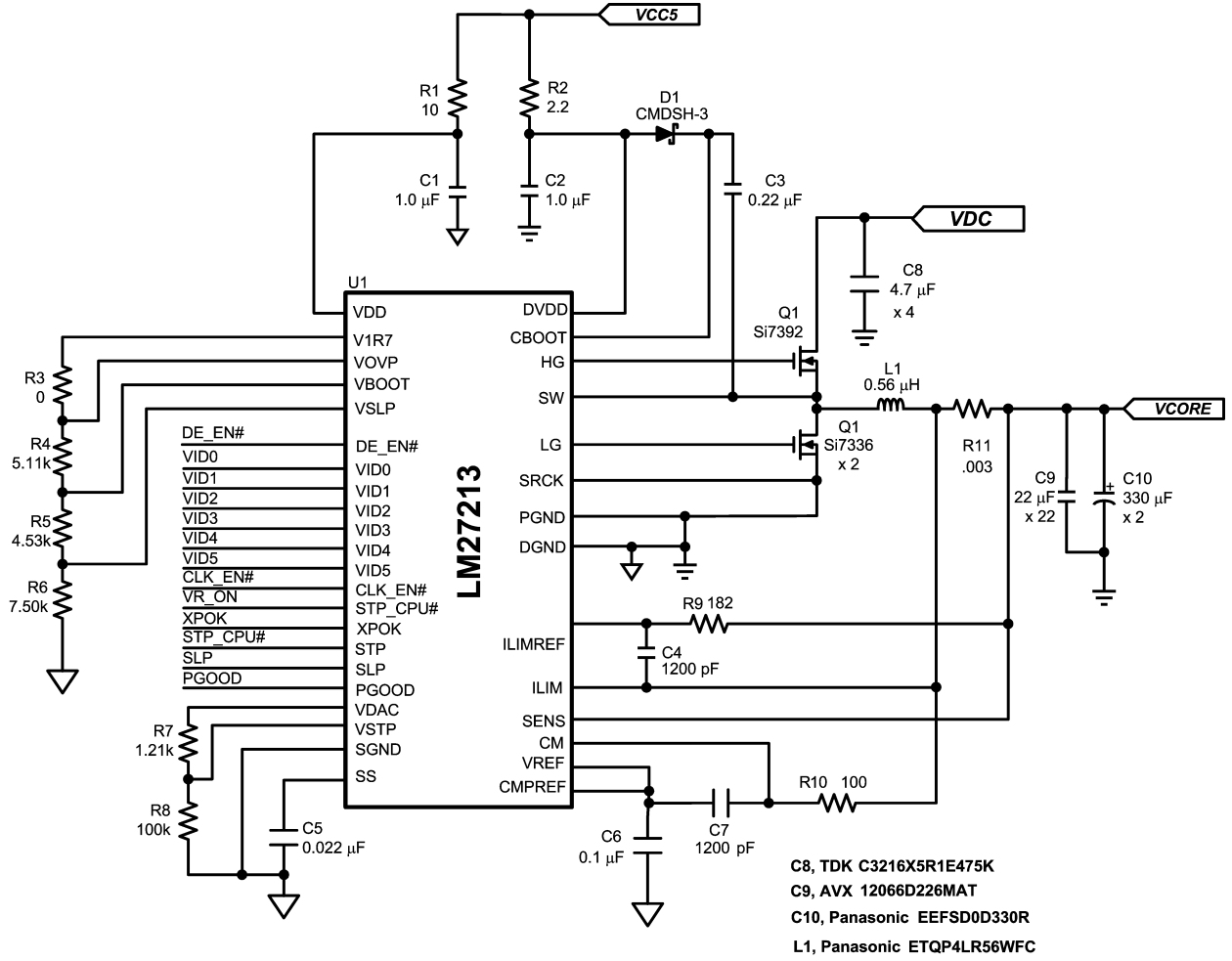
Note 3: For detailed information on soldering plastic small-outline packages, refer to the Packaging Databook available from National Semiconductor Corporation.

Note 4: For testing purposes, ESD was applied using the human-body model, a 100pF capacitor discharged through a 1.5k Ω resistor.

Note 5: All limits are guaranteed at room temperature (standard face type) and at temperature extremes (bold face type). All room temperature limits are 100% production tested. All limits at temperature extremes are guaranteed via correlation using Statistical Quality Control (SQC) methods. All limits are used to calculate Average Outgoing Quality Level (AOQL).

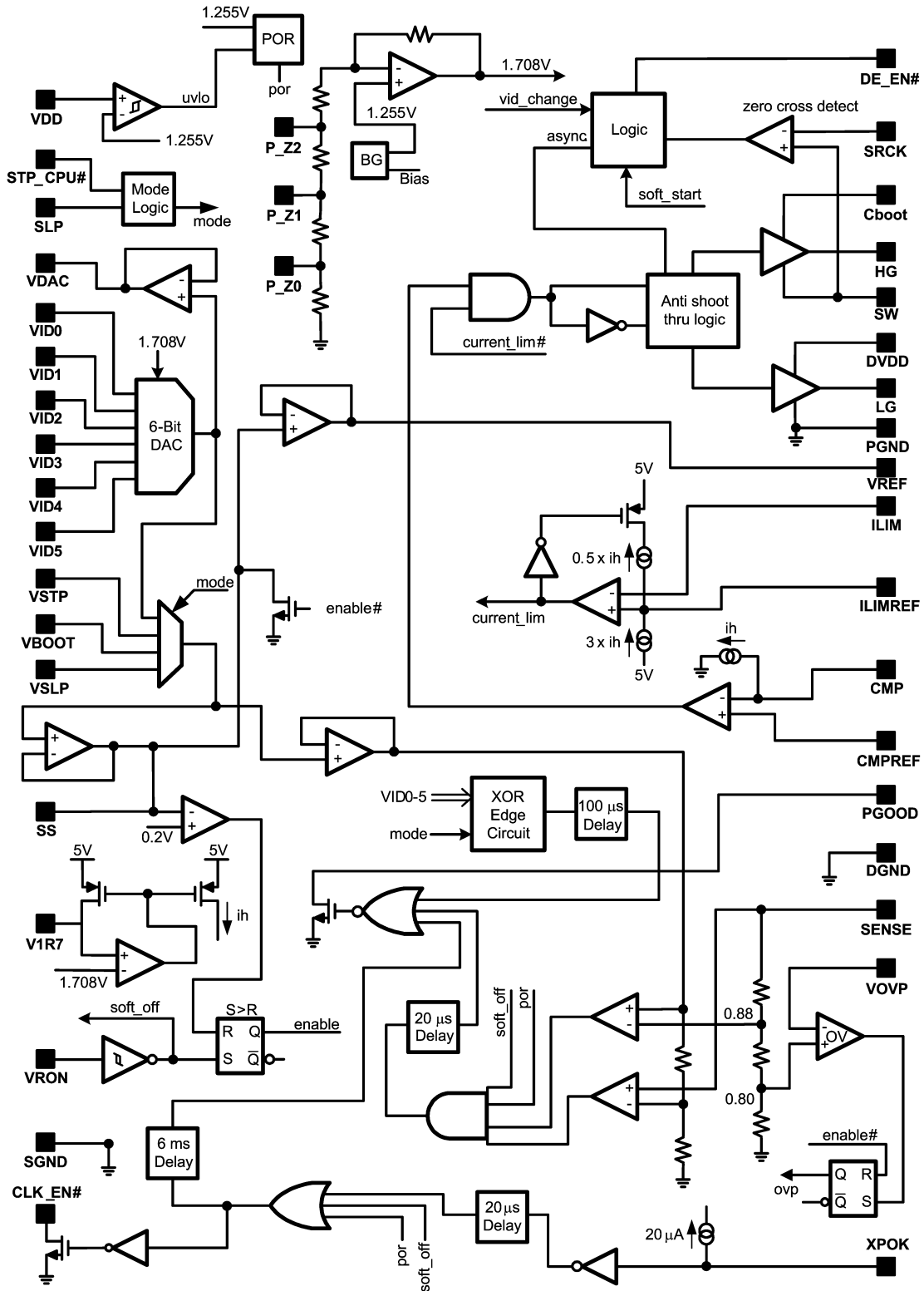
Note 6: The SW pin can have -2V to -0.5 volts applied for a maximum duty cycle of 10% with a minimum frequency of 1Hz. There is no duty cycle or maximum period limitation for a SW pin voltage range of -0.5V to 30 Volts.

Typical Application



20154304

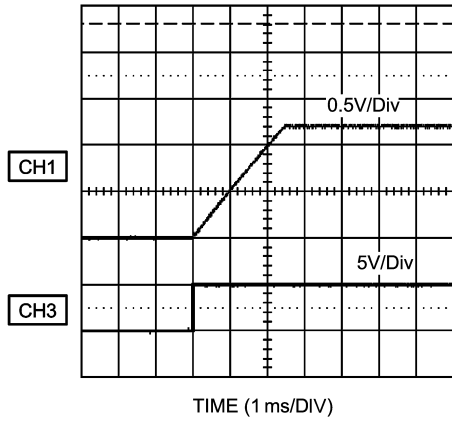
Block Diagram



20154303

Typical Performance Characteristics

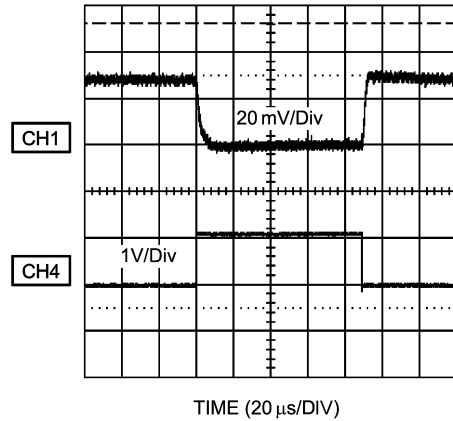
Turn-On Waveforms



Ch1: V_{OUT}
 Ch3: VRON, $V_{IN} = 13V$, $I_{OUT} = 0$

20154305

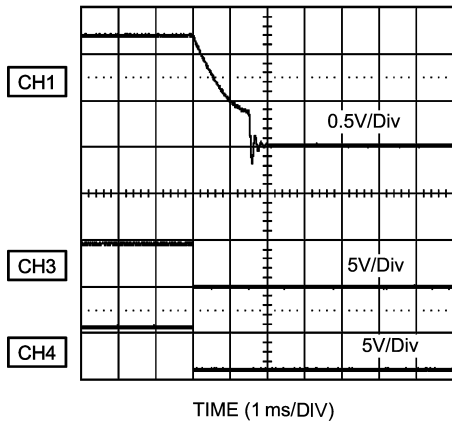
Transient Response



3.5A to 12A load step
 Cursor lines are spec limits
 Ch1: V_{OUT}
 Ch4: I_{OUT} , 8A/div

20154306

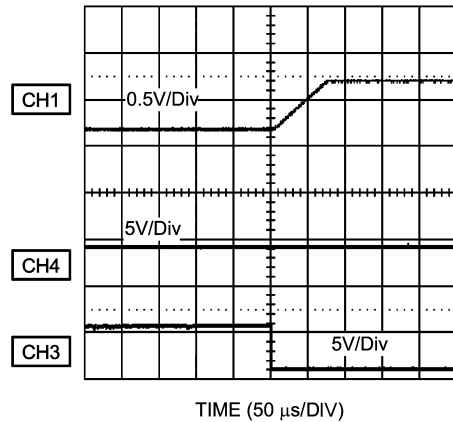
Turn-Off Waveforms



Ch1: V_{OUT}
 Ch 3: VRON
 Ch 4: PGOOD

20154307

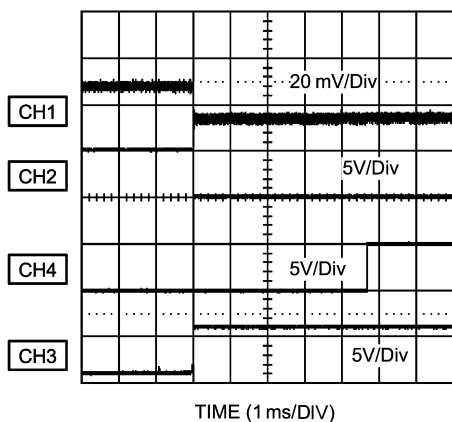
VID Change, VID 5 from 1 to 0



Ch1: V_{OUT}
 Ch 3: VID5
 Ch 4: PGOOD

20154308

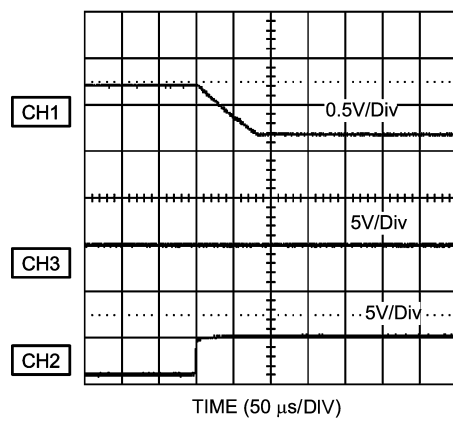
Start-Up, VBOOT to VID Transition



Ch1: V_{OUT}
 Ch2: CLK_EN#
 Ch 3: XPOK
 Ch 4: PGOOD

20154309

VID Change, VID 5 from 0 to 1

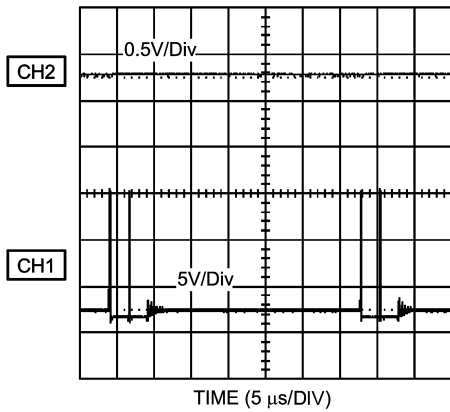


Ch1: V_{OUT}
 Ch2: VID5
 Ch 3: PGOOD

20154310

Typical Performance Characteristics (Continued)

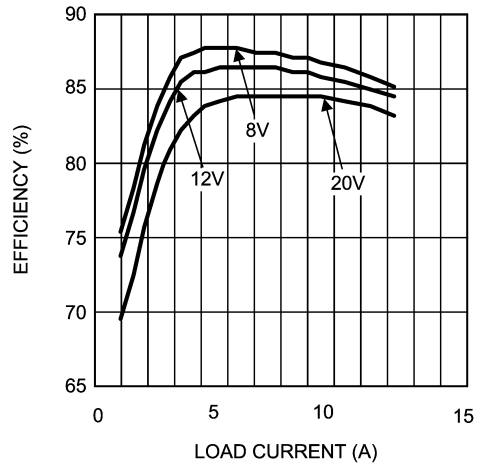
Light Load, Diode Emulator Mode



20154311

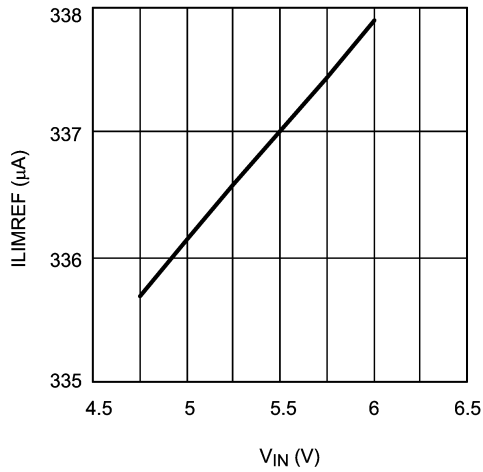
Ch1: Switch Node
Ch2: VID5
Ch 3: V_{OUT}

LM29213 Typical Efficiency



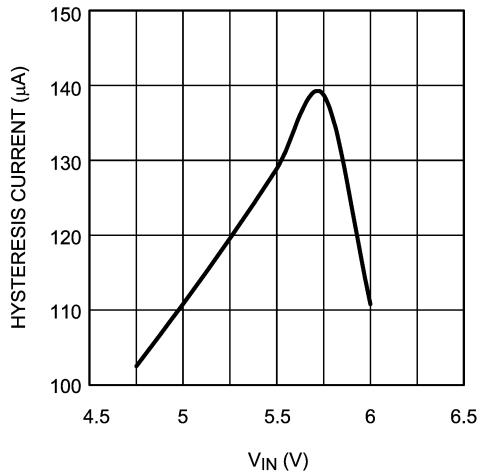
20154312

ILIMREF Bias vs V_{IN} at 25°C



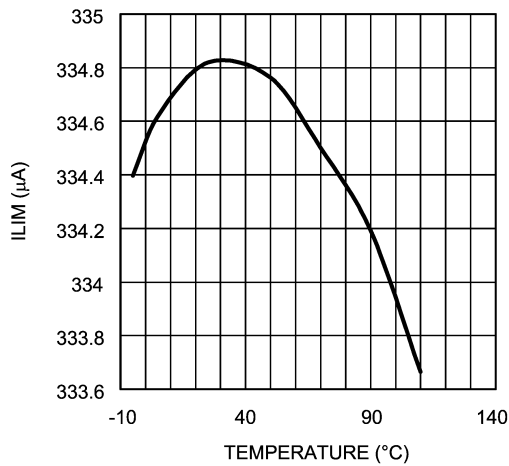
20154313

Hysteresis Current vs V_{IN} at 25°C



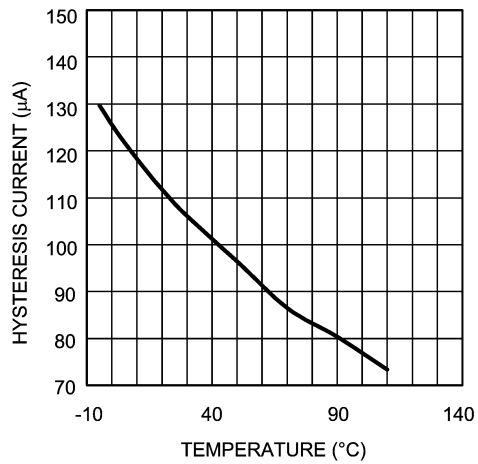
20154314

ILIM vs Temperature



20154315

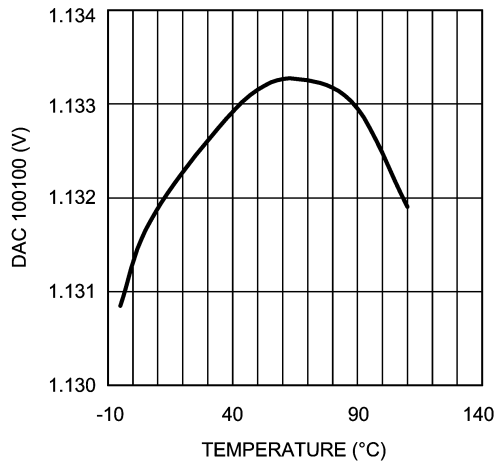
Hysteresis Current vs Temperature



20154316

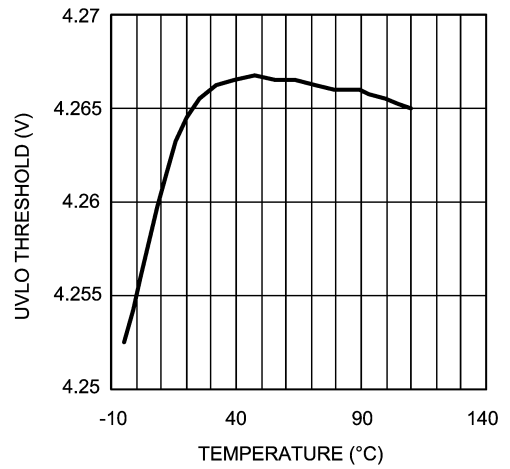
Typical Performance Characteristics (Continued)

DAC 100100 (1.32V) vs Temperature



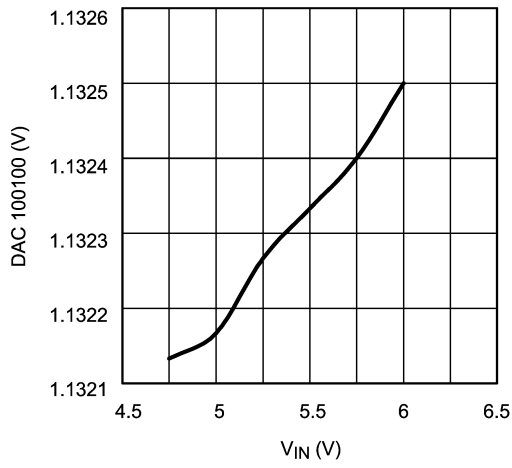
20154317

UVLO Rising Threshold vs Temperature



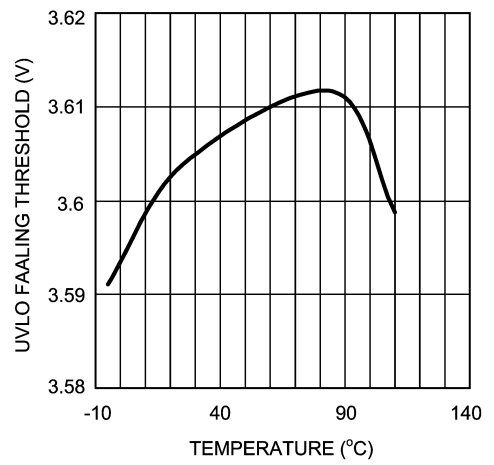
20154318

DAC 100100 vs V_{IN}



20154319

UVLO Falling Threshold vs Temperature



20154320

Applications Information

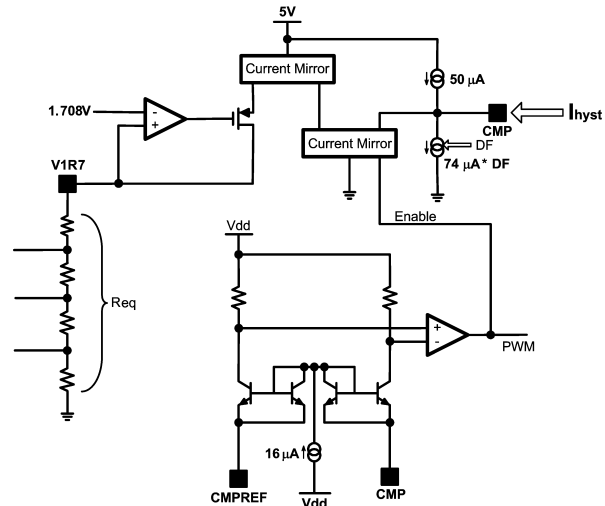
The LM27213 is a single phase current-mode hysteretic controller intended for controlling a power supply for a low voltage CPU core. It is capable of currents up to approximately 25A with conventional surface mount power devices. Hysteretic control assures the fastest possible transient response and a nearly ideal voltage positioning droop response.

THEORY OF OPERATION

The LM27213 controls the inductor ripple current on a cycle by cycle basis. Several reference voltages are available depending on the mode of operation selected. There is an internal DAC that gets programmed via 6 VID (Voltage Identification) bits. In addition, there are several inputs that allow separate references to be selected in various “sleep modes”. An internal MUX selects the reference to be used by the control loop. A softstart function controls the rate at which the selected reference is allowed to ramp up at turn on. There is a cycle by cycle current limit loop as well as over voltage protection.

CONTROL LOOP OPERATION

The main regulator loop is a current mode hysteretic design that maintains control over the buck inductor’s peak-peak ripple current. A small hysteresis current is forced to flow through resistor R_H which is connected between the CMP pin and the left side of the current sense resistor. When the high-side switch is on, this current flows into the pin forcing CMP below CMPREF. As the inductor current increases, the voltage at CMP rises. The error comparator turns off the high-side switch and turns on the low-side switch when the inductor current exceeds the demand. When the high-side switch turns off the hysteresis current is reversed and current is sourced from the CMP pin. The error comparator now allows the inductor current to decay until the new threshold is crossed. Refer to *Figure 1* below. The hysteresis current actually consists of four components. The main hysteresis source is programmed by the current out of the V1R7 reference pin. The total divider resistance on this pin controls the magnitude of this current which is mirrored and sent to the CMP pin. This source will only be active when the high-side switch is on. In addition, there’s a small correction current that varies as a function of duty factor. Its magnitude is approximately $74\mu A \cdot DF$, where DF is the duty factor. At typical operating duty factors, it will be around $7\mu A$ and in the same direction as the main hysteresis current. This current will flow at all times. The tail current from the current sense comparator also needs to be accounted for. This $16\mu A$ flows from the CMP pin when PWM is high, and from the CMPREF pin when PWM is low. Its direction is opposite that of the hysteresis current source and so subtracts from the total hysteresis current. The final contribution to the hysteresis current is the $50\mu A$ that is sourced continuously and serves as the “off” hysteresis. It is recommended that approximately $100\mu A$ be programmed through the V1R7 pin. At this level the “on” and “off” currents are approximately symmetrical around zero.



20154321

FIGURE 1.

The current through the V1R7 pin is simply 1.708V divided by R_{eq} . Therefore the effective divider resistance should be approximately $17k\Omega$. The hysteresis current when the high-side switch is on (assuming a roughly 10% duty factor) is $100\mu A + 7\mu A - 16\mu A - 50\mu A = 41\mu A$. When the high-side switch is off I_{hyst} is only $7\mu A - 50\mu A = -43\mu A$. It is the difference between these two levels that controls the pk-pk inductor current or:

$$\Delta I_{hyst} = I_{V1R7} - 16\mu A$$

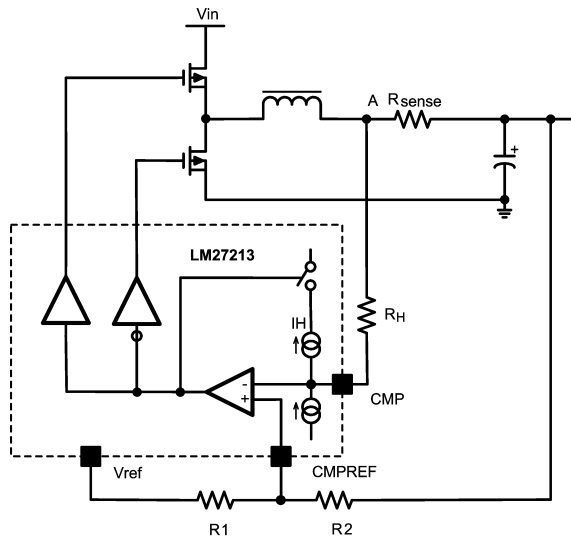
Note that the correction current ($74\mu A \cdot DF$) does not appear in this equation. It serves only to move the output voltage slightly as a function of duty factor to correct for offsets that are inherent in the topology.

Figure 2 shows a higher level picture of the control loop. The reference that the CMP voltage is compared to is the voltage at the CMPREF pin. Assume that the CMPREF pin is simply tied to a fixed reference voltage (R_2 open). The control loop would force the peak voltage at point A minus the hysteresis voltage to equal the reference level. Since the on and off hysteresis currents are symmetrical around zero, the average voltage at point A is therefore equal to the reference voltage. There will be a voltage droop as a function of load (load line) equal to the value of R_{sense} , the current sense resistor. Adding resistors R_1 and R_2 allows this load line slope to be increased without raising the value of the sense resistor. The voltage across R_2 will equal the voltage across the sense resistor, R_s . So, if $R_1 = R_2$ the load line will be twice R_s . Algebraically,

$$LL = R_s \times (1 + R_1/R_2)$$

When the high-side switch has been turned off, the $16\mu A$ comparator input bias current now flows out of the CMPREF pin through the parallel combination of R_1 and R_2 . This results in a small increase in the reference voltage (about 1mV with typical values) and will reduce the size of the hysteresis band by an equal amount.

Applications Information (Continued)

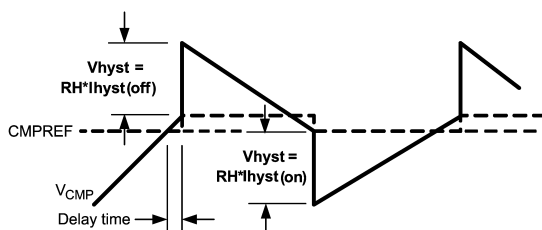


20154322

FIGURE 2.

Figure 3 below shows the theoretical waveform that is to be expected at the CMP pin. Zero output ripple voltage is assumed. In reality these signals ride on top of the regulator's output ripple and may be very hard to discern. There's a small delay time from the instant the voltage on the CMP pin crosses the voltage on CMPREF. This delay will result in the inductor peak current overshooting the hysteresis setting. For high step-down ratios the inductor current down-slope will be much more shallow than the up-slope. Therefore, the undershoot magnitude will be less than the overshoot magnitude. As a result of these delays the actual hysteresis will be somewhat greater than programmed.

The actual wave shapes will be very dependant on the type of output capacitor selected. The resistive component of electrolytic type capacitors (ESR) will serve to provide a significant amount of instantaneous feedforward due to the current flow through the capacitors. By contrast, if an all ceramic output capacitor decoupling network is employed, the current flow through the capacitor is integrated over time, and current information is phase shifted. This tends to alter the regulator's behavior somewhat. In particular, the operating frequency will be very hard to predict since decoupling parasitics play a significant part in shaping the waveforms at the CMP pin. As such, it is generally simplest to choose the final value for the hysteresis resistor empirically.



20154323

FIGURE 3.

The approximate operating frequency is:

$$F_{SW} = R_S \times (V_O - V_{IN}) \frac{V_O}{[\Delta I_{hyst} \times R_{hys} \times L \times (2 \times V_O - V_{IN})]}$$

Where:

R_S is the value of the current sense resistor in Ohms

L is the inductor value in μH

ΔI_{hyst} is the hysteresis current in Amps

R_{hys} is the value of the hysteresis resistor in Ohms

This equation is greatly simplified and fails to account for the effects of output ripple, comparator delay times etc. There are far too many subtle variables involved in this topology to be able to make very accurate operating frequency estimates. This equation should provide a ballpark starting point with the final value of the hysteresis resistor arrived at empirically. At high frequency the delays through the comparator and driver will be the dominant factor in determining the operating frequency.

CURRENT LIMITING

Current limit is achieved by comparing the instantaneous voltage across the current sense resistor with the voltage developed across the current limit threshold resistor, R_{13} in the typical application circuit. If the controller sees this threshold exceeded, the current switching cycle is terminated and the hysteresis current dropped in half. The voltage across the current limit set point resistor is determined by the value of the resistor and the magnitude of the current through the I_{LIMREF} pin. This current is nominally three times the current drawn through the V_{1R7} reference pin. When current limit is reached, this current is reduced to 250% of the V_{1R7} current. Be sure to use the full load DC current plus $\frac{1}{2}$ the pk-pk inductor ripple current when determining the required current sense threshold.

POWER GOOD

The output voltage is sensed at the Sense pin (16) and monitored by a window comparator with thresholds set to nominally 88% and 112% of the selected output voltage set point. As long as V_{core} remains within the window, the power good signal will be logic high. This output is an open drain device and requires an external pull up. At power up, the LM27213 will wait approximately 5ms after XPOK is asserted before releasing PGOOD. If the output voltage is then within the $\pm 12\%$ window, the flag will be asserted.

OVER-VOLTAGE PROTECTION

The sense pin is also used to provide the input to the over-voltage protection circuitry. If at any time the output is determined to be more than a nominal 120% of the voltage set on the VOVP pin (17), the high-side FET is turned off and the low-side FET is turned on. The soft start capacitor will also be discharged. This state is latched. In order to initiate a restart, remove and restore power to the controller or toggle the VRON pin.

SOFT START

When VRON is enabled the regulator begins a normal start sequence that actively controls the rise of output voltage. An internal $20\mu\text{A}$ current source supplies current through the Soft Start pin (25) that charges the soft start capacitor. The output voltage is forced to track this voltage up. The result is a linear output voltage rise. The capacitor value required is

Applications Information (Continued)

simply $20\mu\text{A}$ divided by the desired slew rate. For an output voltage rate of rise of 1V/ms , the capacitor should be about 20nF .

SOFT STOP

When VRON is deasserted, the LM27213 starts to discharge the soft start capacitor with an internal $45\mu\text{A}$ current sink. V_{core} is forced to follow the resulting linear ramp voltage on the soft start capacitor downward. When V_{core} reaches approximately 300mV the high-side FET is disabled and the low-side FET is turned on to quickly discharge the output to zero and hold it there. This forces a controlled turn off slew rate that eliminates the possibility of the output voltage ringing significantly below ground. It can also be helpful in the sequencing of multiple supply rails.

STARTUP SEQUENCING

At initial power up the LM27213 targets a voltage equal to V_{boot} . This is the voltage level set at the VBOOT pin (27) by a resistor divider that is powered by the V1R7 reference output (pin 26). This divider also has taps for the OVP threshold and deeper sleep voltage set point. The regulator's output will remain at V_{boot} until a time T_{boot} after the XPOK flag clears. T_{boot} is nominally $20\mu\text{s}$. After the T_{boot} time expires CLK_EN\# will be asserted and the output will transition to the voltage selected by the VID bits. Power good will be enabled nominally 5ms after CLK_EN\# is asserted.

DYNAMIC VID TRANSITIONS

Upon detecting a VID or mode change the LM27213 masks the power good comparator for a period of approximately $130\mu\text{s}$. During the blanking interval the power good output is forced high while the output voltage is in slew to the newly selected level. The slew rate is determined by the soft start capacitor value. The charge/discharge current driving the soft start capacitor will be $350\mu\text{A}$ typically. The programmed slew rate is therefore $350\mu\text{A}$ divided by the soft start pin capacitance.

STOP CPU MODE

If the STP_CPU\# pin (34) is asserted with SLP de-asserted the VREF pin voltage will be forced to the voltage on the VSTP pin (32). The output will slew at a rate determined as above to the new value. The PGOOD mask is in effect for $130\mu\text{s}$.

SLEEP MODE

To enable sleep mode both STP_CPU\# and SLP need to be asserted. The VREF pin voltage will transition to the voltage on the VSLEEP pin with a slew rate as discussed under dynamic VID transitions and the PGOOD mask is activated for $130\mu\text{s}$.

POWER SAVING MODE

The LM27213 allows for high efficiency operation at very low power levels by employing a diode emulator mode. This can be activated in either deep sleep or deeper sleep modes only. Assert the DE_EN\# pin while in a sleep mode to activate this function. When operating at low power the LM27213 detects inductor current reversal with a zero cross detector connected to the drain of the low-side FET. The voltage at this node is normally below ground when the low side FET is on but will become positive when the inductor current reverses. When the inductor current reversal is detected the low side switch is turned off and essentially be-

comes a nearly ideal diode. Due to the hysteretic control mode, the regulator operating frequency will be greatly reduced at light loads. High-side switch on-time will not change significantly compared to normal operation, but the off times will extend greatly. Care must be taken to connect the SRCK (Source Kelvin, pin 5) close to the low-side switch source connection, as this is the reference input to the zero cross detector.

Component Selection

There are numerous tradeoffs to be made in settling on a final set of component choices and as a result the process tends to be somewhat iterative. There's always more than one combination of parts that will work in a given application.

We will start with a few rule of thumb assumptions and then adjust as required to find a combination that meets the specification requirements and is cost effective. Some of the choices can be thought of as somewhat philosophical.

Let's start the design by choosing an inductor and then develop the remainder of the design around that choice.

INDUCTOR SELECTION

A good place to start is by choosing an appropriate buck inductor. A decent rule of thumb is to allow the worst case, peak to peak ripple current to be on the order of 40% to 50% of the full load output current. So, for a design of 12A at full load, the ripple current should be in the range of 4.8A to 6A . Larger or smaller ripple currents may well be acceptable but there are tradeoffs associated with these choices. As inductor value increases, there is a corresponding need to increase the amount of output capacitance to handle load transients. Conversely, as inductance is reduced, the RMS switch currents tend to rise and therefore efficiency suffers slightly while dynamic performance is improved.

The worst case ripple current will occur at the combination of maximum input and output voltage. Let's assume an output voltage of 1.180V and a maximum input of 16V . This will assume operation on a wall adapter while battery voltage may be only 12V maximum. Another assumption that must be made is the intended operating frequency. Again there exists a tradeoff between dynamic performance and efficiency. The "sweet spot" at the time of this writing is roughly in the range of 300kHz to 400kHz . That will in all likelihood shift positive in time as FET technology improves. The hysteretic architecture also varies the operating frequency as a function of input voltage with the regulator tending to run a bit slower at high input voltages. Let's assume a 300kHz frequency at high input line. Also, since the efficiency is of somewhat less of a concern when operating from a wall adapter we'll design for the high end of the ripple current range under this condition. The ripple current will be lower when operating from a battery since the input voltage will be lower and the switching frequency will be somewhat higher. With all that settled let's calculate a value for L .

$$L = (V_{\text{IN}} - V_{\text{O}})V_{\text{O}} / (\Delta I \times V_{\text{IN}} \times f_{\text{SW}})$$

Where:

L is the inductor value

V_{in} is the input voltage

V_{o} is the output voltage

ΔI is the ripple current

f_{sw} is the switching frequency

So,

$$L = (16\text{V} - 1.18\text{V})1.18\text{V} / (6\text{A} \times 16\text{V} \times 300\text{kHz})$$

Component Selection (Continued)

$$L = 0.60 \mu\text{H}$$

If the switching frequency is pushed up a bit the inductor value may be reduced accordingly. In general for a 12A, low voltage CPU, a value between 0.56 μH and 0.7 μH works out well. The inductor chosen should be capable of handling the full load current continuously. It must not hard saturate under fault conditions. The saturation specifications for most inductors indicate when the inductance has fallen off by a given percentage. This percentage will vary by manufacturer and is not standardized. As such, it's best to look at the published curves of inductance vs. DC current. If the inductor maintains more than 1/3 of it's specified no load inductance under short circuit conditions, it will probably work just fine. There will also most likely be an RMS current rating for the inductor as well. This relates to the heating to be expected at the rated DC current. In most processor applications it's safe to assume the average DC current for thermal analysis purposes will be approximately 80% of the specified maximum load current. The inductor should be specified for at least this value of continuous current.

OUTPUT CAPACITOR SELECTION

Once an inductor value is chosen it's time to look at the output capacitors. There are several possible basic approaches to take with regards to output de-coupling. It's possible to use ceramic capacitors exclusively. This will require a rather large number of small case size capacitors. It is also possible to use primarily aluminum-polymer type devices for the bulk decoupling with a relatively small number of ceramic capacitors for high frequency bypassing. The third approach is something that's more a combination of the two approaches, using a moderate number of ceramic capacitor and a couple of large bulk caps. The design criteria will be slightly different with the various approaches.

The controlling factor in a CPU core voltage regulator is generally the load-off transient. When the processor load drops dramatically, all the energy stored in the inductor will get transferred into the output capacitors. The energy stored in an inductor is $L \times I^2/2$ while the energy stored in a capacitor is $C \times V^2/2$. So:

$$C_{\min} = L(I_{\max}^2 - I_{\min}^2)/(V_{\max}^2 - V_{\text{init}}^2)$$

Where:

C_{\min} is the minimum capacitance required to meet the specified voltage limits.

L is the inductor value

I_{\max} is the peak inductor current at the time the load step occurs

I_{\min} is the load current after the transient has settled

V_{\max} is the maximum allowed output voltage at the low load condition

V_{init} is the initial output voltage at the time of the load step

It's recommended that the current used for I_{\max} be equal to the full load output current plus $1/2$ the estimated pk-pk ripple current

From the example being examined earlier, if we assume a 12A full load, a 0.56 μH inductor, an initial voltage of 1.144V, a minimum current of 3.5A and a maximum voltage of 1.197V, the minimum allowable output capacitance is calculated as:

Since ripple current is approximately 6A,

$$I_{\max} = 12\text{A} + 3\text{A} = 15\text{A}$$

$$C_{\min} = 0.56\mu\text{H}(15\text{A}^2 - 3.5\text{A}^2)/1.197\text{V}^2 - 1.144\text{V}^2 = 960\mu\text{F}$$

This calculation assumes perfect capacitors ($\text{ESR} = 0$) and is a reasonable assumption for an all ceramic solution only. More capacitance will be required if aluminum-poly type capacitors are used due to their higher ESR. However, that will generally not be a problem since they tend to have large capacitance values. If using 22 μF , 1206 case ceramic capacitors, this design would require approximately 44 capacitors distributed around the processor. Only capacitors with either X5R or X7R dielectrics should be considered. Lower cost devices have voltage and temperature coefficients that make them unusable in these applications. Using a small number of physically large ceramic capacitors is not recommended since the lead inductance will be excessive. They tend not to provide adequate high frequency bypassing.

A reasonable way to reduce the capacitor count is through the addition of several aluminum-poly type capacitors. A typical example may be the Panasonic SP series. A 330 μF , 2.5V device is available with an ESR of only 5m Ω . Adding a pair of these will permit reducing the number of ceramic capacitors considerably.

A reasonable estimate of the soar voltage when the load is suddenly reduced when using primarily aluminum-poly type capacitors can be obtained from the following equation:

$$V(T) = \left[\frac{1}{C} \left(I_0 \times T - \frac{1}{2} \times m \times T^2 \right) + (I_0 - m \times T) \times \text{ESR} \right]$$

Where:

V(T) is the instantaneous capacitor voltage increase above the initial DC voltage at the instant the load is reduced

C is output capacitance in μF .

I_0 is the inductor current at the instant the load is decreased

ESR is the output capacitor ESR

m is the inductor current down slope equal to V_{out}/L

The maxima occurs at :

$$T_{\max} = \frac{I_0 - m \times \text{ESR} \times C}{m}$$

Simply solve for Tmax and substitute into the equation for V(T) to calculate the maximum output voltage rise. This equation accounts for the decrease in voltage across the ESR as the capacitors are being charged by the decreasing inductor current.

Using numbers from the previous example:

$$T_{\max} = (12\text{A} - 2.043\text{A}/\mu\text{s} \times 0.0025\Omega \times 660\mu\text{F}) / 2.043\text{A}/\mu\text{s} = 4.22\mu\text{s}$$

And $V_{\max} = 0.058\text{V}$

This is just a bit higher than the specification allows but does not account for improvements expected as a result of having a number of ceramic output capacitors on the board. The performance of combinations of capacitors is best examined using a circuit simulator as the mathematics gets unwieldy. A simple model would be an inductor connected in parallel with the output capacitors. Set the initial conditions for the peak inductor current at full load and the capacitor voltage to the lowest point on the load line. A current source in parallel with the output that is set for the minimum load current will allow the simulation of load steps that are less than 100% of full load.

Component Selection (Continued)

A simulation of the above conditions with the addition of 10 pieces of a 22 μ F ceramic capacitor yields a peak excursion of 1.180V, which is well within the specified limit.

MOSFET SELECTION

The choice of power FETs is driven primarily by efficiency or thermal considerations. There are two main loss components to consider, conduction losses and switching losses. The switching losses are primarily due to parasitics in the FETs and are very hard to estimate with any degree of accuracy. The conduction losses are much easier to characterize. The switching losses in the synchronous FET are very low since it's essentially a zero voltage switched device. However, the high-side device's switching losses are usually comparable to its conduction losses. The primary contributor to high-side FET switching losses is related to the reverse recovery characteristics of the synchronous FET's body diode. During the small dead band where both FETs are off every cycle, the synchronous FET's body diode will carry the inductor current. Problems arise because the body diode exhibits a significant reverse recovery time, t_{rr} . During this time, the FET looks like a short circuit. When the high-side FET is subsequently turned on, there is a shoot through path from the input supply to ground. A larger high-side FET will tend to exhibit a larger shoot through current. Therefore, it is undesirable to oversize the high-side device. Since the synchronous FET looks like a short, the entire supply voltage is impressed across the high-side device, along with a simultaneous high current. The result is very high momentary power dissipation. The total power lost is a direct function of the switching frequency.

For a single-phase design something on the order of 1W of dissipation in the power switches is a reasonable place to start. Assume further that this will be split equally between the high and low side FETs. Since the low-side FET switches at nearly zero volts the transition losses will be very low. The high-side switch will, however, sustain large switching losses. In all likelihood they will be comparable to, or exceed, the conduction losses.

With 500m Ω allocated to the synchronous switch dissipation we can calculate the required on-resistance. Assume the hot on-resistance will be about 140% of the room temp $R_{ds(on)}$. Therefore:

$$R_{ds(on)} = P_{diss} / (I^2 \times 1.4 \times (1-DF))$$

Where: DF = duty factor or V_{out}/V_{in}

P_{diss} = allowed dissipation

And I is the design thermal current

As a general rule of thumb, assume the design thermal current is approximately 80% of full load current unless the specification indicates otherwise. In this case, assume a current of 9.6A. Also, duty factor should be calculated at high input line voltage. Assume 16V for our example. So the maximum on-resistance for the synchronous switch will be:

$$R_{ds(on)} = 0.5W / (9.6A^2 \times 1.4 \times (1-1.15V/16V))$$

$$R_{ds(on)} = 4.2m\Omega$$

In a similar fashion the high-side switch can be sized. Allot $\frac{1}{2}$ of the total dissipation to switching losses. The on interval is now DF rather than 1-DF and low input line is assumed:

$$R_{ds(on)} = P_{diss} / (I^2 \times 1.4 \times (DF))$$

$$R_{ds(on)} = 0.25W / (9.6A^2 \times 1.4 \times 1.15V/8V)$$

$$R_{ds(on)} = 13.4m\Omega$$

An Si7390 high-side switch and an Si7336 low-side switch meet this requirement

If the same analysis is done assuming a 12A continuous load current the results suggest a low-side FET with an on-resistance of 2.7m Ω and a high-side FET on-resistance of 8.6m Ω .

GATE DRIVE REQUIREMENTS

The bootstrap capacitor choice is based largely on the gate charge requirements of the high-side FET. The charge stored on the bootstrap cap should be about 20X the high-side FET's gate charge. For the Si7390 the specified gate charge is 15nC max. So the bootstrap capacitor should store a minimum of 300nC at 5V. This translates to a capacitance of 0.06 μ F or larger. A 0.10 μ F or larger X5R dielectric capacitor would be a good choice. Under sizing the bootstrap capacitor will result in inadequate gate drive to the high-side switch.

INPUT CAPACITOR SELECTION

The input capacitor selection is based largely on ripple current capability. The instantaneous pulse currents drawn by the power supply must be delivered by the input capacitors. This is related to the fact that the input power source, be it a battery pack or a wall adapter, will place a substantial impedance in series with the input path. As such, their ability to deliver large, fast rise time current pulses is limited. The input capacitors need to average these pulse currents and smooth the current demand placed on the source.

Ceramic capacitors offer a good combination of ripple current capability and voltage rating, however they tend to do so with relatively low capacitance values. It's also not uncommon to find wall adapters and batteries with impedances on the order of several hundred milliohms. The result is that while cycle-by-cycle current demand may be met, the input capacitor network cannot deliver enough energy to prevent significant amounts of voltage ripple when the load current is varied at a low rate. In particular, if the load varies at a frequency in the 2kHz to 4kHz range, the resulting large variation in voltage observed at the power supply input will result in noticeable audio noise being produced by the piezo electric effects that are characteristic of ceramic capacitors. There are several ways to mitigate this problem. The first is to use physically small ceramic capacitors since they tend to be less efficient noise generators. That, however, would tend to limit the amount of capacitance to an unacceptably low value. The use of aluminum-poly type capacitors such as Sanyo's Poscap series is a viable option as well. They can provide adequate levels of capacitance with very good ripple current capability. The down side of this solution is cost. Another possible approach is to use relatively large ceramic capacitors and add a relatively large aluminum electrolytic capacitor to hold up the supply voltage. The ceramics deliver the high frequency pulse currents while the bulk caps smooth the longer term variation. In general a few hundred microfarads is adequate for this purpose. As long as the AC ripple voltage impressed on the ceramic capacitors is small, on the order of a few tenths of a volt, the ceramic capacitors are not going to be excessively noisy.

For purposes of sizing the high frequency input decoupling, the RMS input ripple current must be estimated. The input ripple current will be approximately 50% of the output current at a 50% duty factor and decrease as duty factor drops. Figure 5 shows this relationship.

Component Selection (Continued)

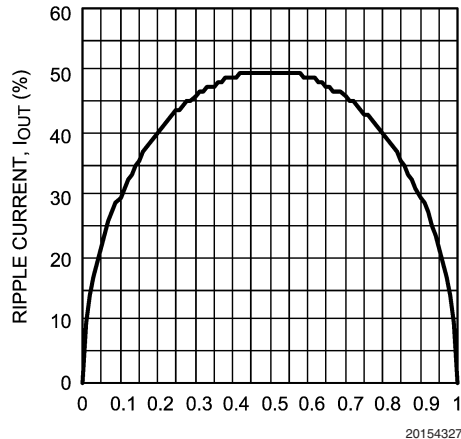


FIGURE 4. RMS Input Ripple Current as a Percentage of DC Output Current

So for a design that must operate at a steady state load current of 12A, with 1.4V out and 8V in, the RMS input ripple current would be about 37% of 12A or 4.4A RMS. A sufficient number of capacitors must be connected in parallel to handle this current. For capacitors rated at 1.5A each, a minimum of 3 would be required. If it's desired to add enough bulk capacitance to control the input's low frequency ripple voltage, the characteristic impedance of the input power source must be well understood.

Bypassing Considerations

The LM27213 should have its supply pin (24) well bypassed. Generally a 1 μ F capacitor connected between the V_{DD} pin and the SGND pin (23), should be adequate. It's a good idea to add a resistor of about 10 Ω in series with the input source to provide some decoupling from noise on the 5V rail. The LM27213's own gate drive pulse currents can corrupt the 5V rail enough to cause problems without this filter. There also needs to be a 1 μ F or larger ceramic capacitor connected between the driver supply pin PVDD (48) and PGND (45). The bypass capacitors should be located very close to the pins to provide a low inductance path. This is particularly important for the PVDD bypass. This capacitor must supply all of the low-side gate drive pulse currents as well as the charging current for the high-side bootstrap capacitor. It's also a good idea to install a 0.1 μ F capacitor between the VREF pin (11) and SGND. In addition, there should be small filter capacitors connected between the ILIM and ILIMREF pins and the CMP and CMPREF pins. Typically, a 1200pF capacitor will prove adequate for this purpose.

Current Sense Resistor

The maximum value allowed for the current sense resistor is a value equal to the desired load line slope. Increasing beyond this value will make the load line excessively steep with no way to reduce the slope. Lower values are permissible and values as low as 1m Ω have been used successfully. The regulator will have a tendency to exhibit excessive amounts of pulse jitter if the sense resistor is too small since the current sense signal is reduced as well. One way to mitigate this problem is to add a little filtering to the load line setting resistor R2 in *Figure 3*. A typical time constant to

shoot for is approximately 500ns. So for R2 = 100 Ω , something around a 4700pF capacitor should prove helpful. If this capacitor is made too large the result will be large overshoot and undershoot in the response to load transients. See the section below on load line setting for more information about choosing these resistors.

Load Line Setting Resistors

Resistors R1, R2, and the current sense resistor (see *Figure 2*) are used to control the slope of the load line. In the simplest configuration R1 = 0 ohms and R2 is omitted. In this case the load line is nominally equal to the current sense resistor value. For relatively low current designs this configuration can work acceptably well. At higher current levels the DC drop across the power planes may well contribute an excessive error since the distribution path between the sense resistor and the load is effectively in series with the current sense resistor, and therefore, will steepen the load line. For designs with relatively steep load lines (3 m Ω) the power dissipation is also excessive at high currents. The solution is to lower the sense resistor value and add the R1, R2 divider to synthesize a steeper slope. The load line is calculated from:

$$LL = R_s \times (1 + R1/R2)$$

Since the power plane resistance will increase the load line by an amount that's nearly impossible to estimate accurately, the simplest approach is to install the values calculated for the ideal, lossless power path, and run the circuit. Record the no load and full load output voltage and calculate the load line impedance.

$$LL = (V_o - V_{full})/I_{full}$$

Where:

V_o is the no load output voltage

V_{full} is the full load output voltage

And I_{full} is the full load current

Use this information along with the installed values of R1 and R2 to calculate the effective sense resistor value:

$$R_{se} = LL/(1 + R1/R2)$$

Now using this value of sense resistor, recalculate a new value for R1:

$$R1 = R2(LL/R_{se} - 1)$$

Installing these values for R1 and R2 should yield a nearly perfect load line.

Layout Guidelines

As is true for any high-current power supply design, care needs to be taken when doing an LM27213 layout. As a general rule, it makes the most sense to start the layout by placing the power path components to connect in a logical power flow. The input ceramic capacitors should be connected as close as physically possible to the source of the low side FET and the drain of the high-side FET. The loop area enclosed by the input capacitors and FETs needs to be minimized to control ringing and optimize the switch rise and fall times. A good practice is to connect the FETs on the top side of the board with the bypass capacitors located immediately below on the back side. The capacitors' ground pads should be located directly beneath the low-side FET's source pad and a collection of vias used to hook the two together and at the same time tie to the internal ground plane. Figure on allowing one amp of load current per via if the hole diameter is less than 15 mils and two Amps per via if greater than 20 mils. More vias are almost always better than fewer.

Layout Guidelines (Continued)

Keep the switch node connection between the two FETs and the inductor as short and wide as possible. The inductor should be located very close to the FETs. The inductor should then flow in to the sense resistor that needs to be immediately adjacent to the processor decoupling capacitors.

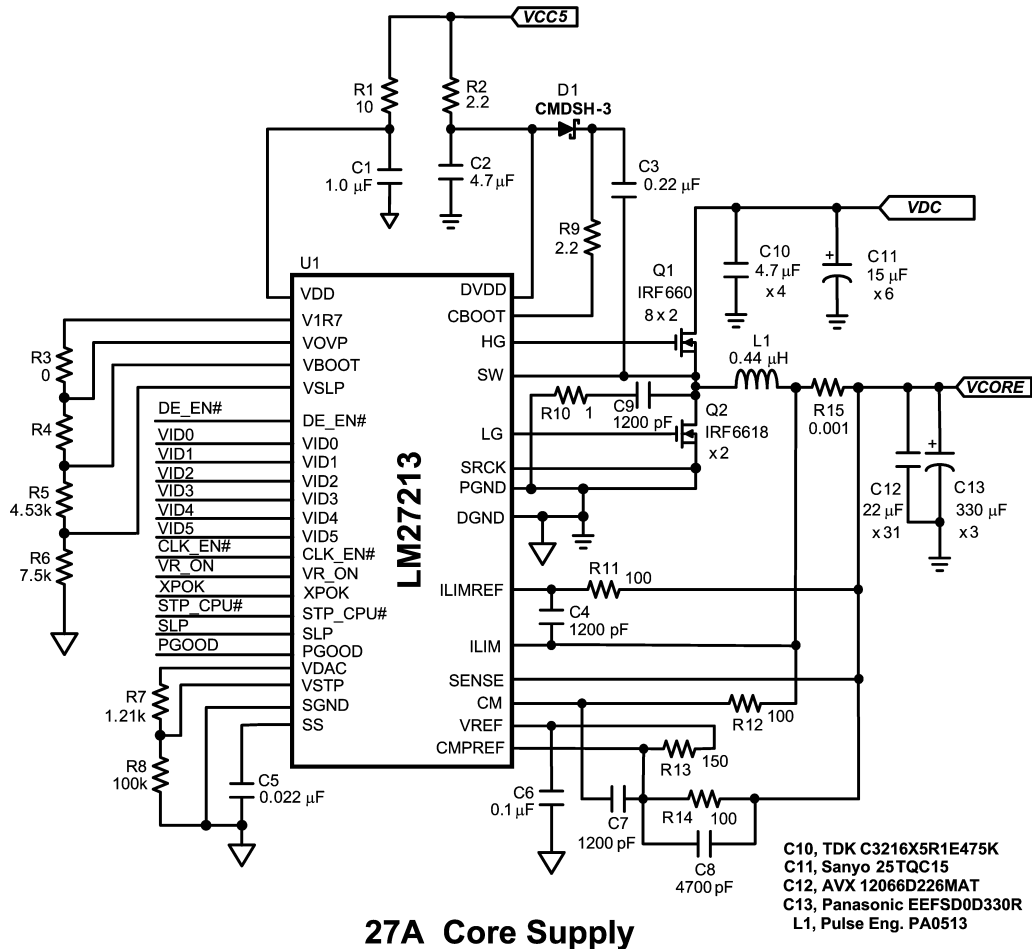
The LM27213 needs to be located relatively close to the FETs to minimize the gate drive lengths. Also, route the high-side gate signal (pin 2) and the SW pin (3) parallel to and very close to each other to minimize the inductance of the loop enclosed. These traces should be at least 15 mils wide. The connections to the current sense resistor must be made as Kelvin connections. Again, route these two traces in parallel if possible to minimize noise susceptibility. The sense pin (16) is best connected to the core voltage near the center of the CPU socket, but will in all likelihood work correctly if connected at the bypass capacitors located around the periphery of the CPU socket. This line is the source of output voltage information for the over voltage protection circuit and power good comparators.

Probably the most critical consideration for the controller is grounding. There are several ground-referenced pins that need to be treated quite differently. A good practice is to tie the power ground pin (45) to the main power plane with a single via. This pin is the ground connection for the gate drive and as such will carry very large pulse currents. The bypass capacitor for DVDD should connect very close to this ground connection if at all possible. DGND (13) is not particularly critical and should tie to the main ground plane as well. It only carries the return currents for the digital portions of the controller, which are not very large. The SGND pin (23) is the most critical and should also tie to the plane with

a separate via close to PGND or directly to the PGND pin with a very short trace. One grounding option is to define a signal ground plane that connects to ground through this point only and resides under and around the IC. An alternative is to daisy chain a ground trace around the controller to pick up all the signal ground referenced components while maintaining only a single connection to the ground plane at the SGND pin. If doing the later and not defining signal ground as a separate net, it will not be possible to use vias to connect to other layers unless your board layout package has the ability to isolate these vias from the ground plane. Keeping the signal ground separate from the system ground plane ensures that signal ground is "quiet" relative to all internal signals in the controller. The main ground plane is usually a very noisy environment and not the absolute zero volt reference it tends to be thought of. Pains should be taken at every opportunity to ensure that sources of large pulse currents into the ground plane are bypassed as well as possible to minimize the disturbances to the ground plane. Under no circumstances should the controller be grounded at a point between the low-side FET source connection and the input capacitor ground connection point. This is a very noisy area.

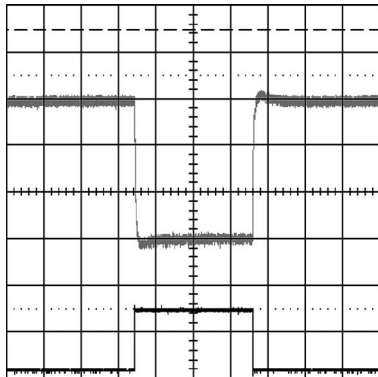
Pin 5, SRCK, is the low-side FET source Kelvin connection and as the name implies needs to be connected directly to the low side FET source pads. This pin is used as the reference potential for the diode emulator circuit. If not connected correctly, the supply will behave erratically at light loads. The correct connection for SRCK is to tie the pin to one of the vias connecting the low-side FET source to the internal ground plane on an internal layer or the back side of the board. The trace need not be wide. A 10mil trace is adequate, as this line carries essentially no current.

Layout Guidelines (Continued)



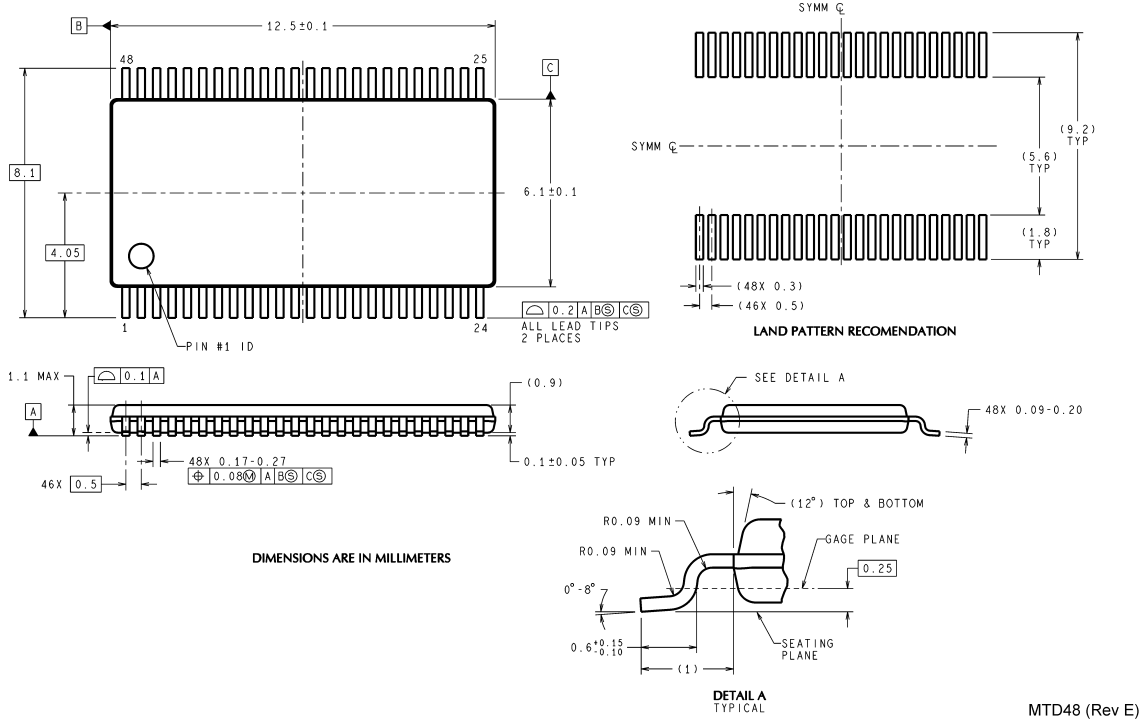
20154328

The circuit above is an example of a single phase supply at much higher current. The FETs chosen lend themselves well to the use of a heatsink if desired. The transient response is quite good for a single phase below, high current design as seen from the scope photo below.

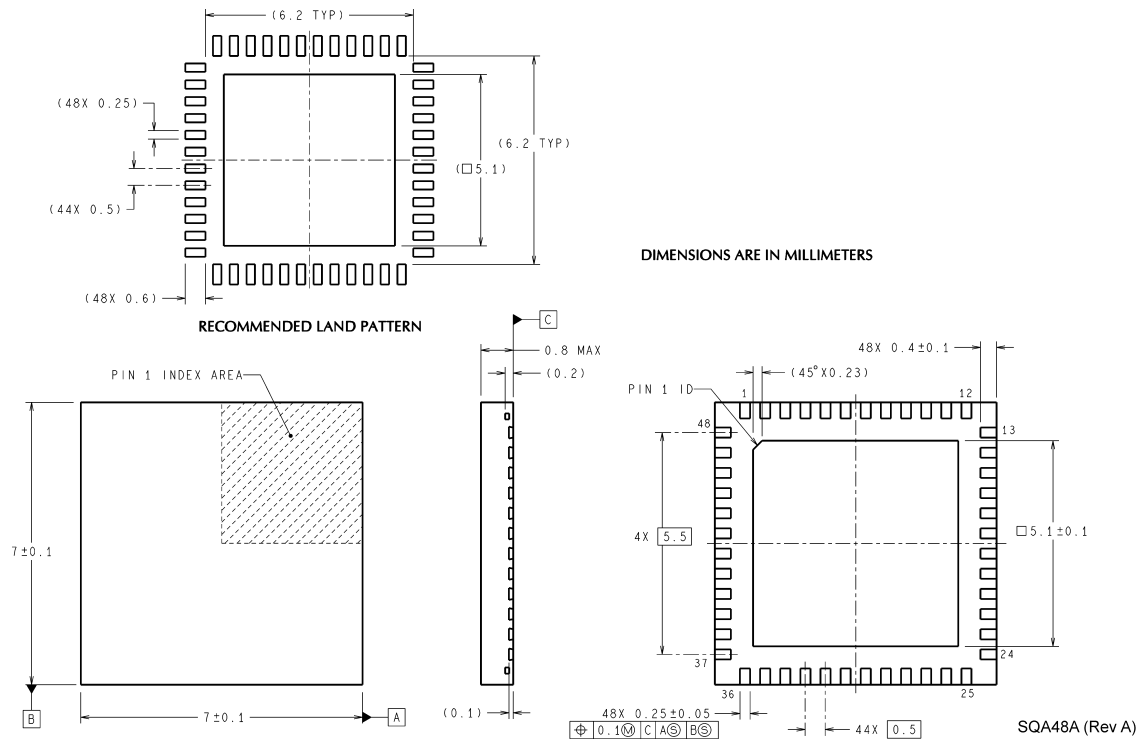


20154329

Physical Dimensions inches (millimeters) unless otherwise noted



48-Lead TSSOP Package
Order Number LM27213MTD
NS Package Number MTD48



48-Lead LLP Package
Order Number LM27213SQ
NS Package Number SQA48A

Notes

National does not assume any responsibility for use of any circuitry described, no circuit patent licenses are implied and National reserves the right at any time without notice to change said circuitry and specifications.

For the most current product information visit us at www.national.com.

LIFE SUPPORT POLICY

NATIONAL'S PRODUCTS ARE NOT AUTHORIZED FOR USE AS CRITICAL COMPONENTS IN LIFE SUPPORT DEVICES OR SYSTEMS WITHOUT THE EXPRESS WRITTEN APPROVAL OF THE PRESIDENT AND GENERAL COUNSEL OF NATIONAL SEMICONDUCTOR CORPORATION. As used herein:

1. Life support devices or systems are devices or systems which, (a) are intended for surgical implant into the body, or (b) support or sustain life, and whose failure to perform when properly used in accordance with instructions for use provided in the labeling, can be reasonably expected to result in a significant injury to the user.
2. A critical component is any component of a life support device or system whose failure to perform can be reasonably expected to cause the failure of the life support device or system, or to affect its safety or effectiveness.

BANNED SUBSTANCE COMPLIANCE

National Semiconductor manufactures products and uses packing materials that meet the provisions of the Customer Products Stewardship Specification (CSP-9-111C2) and the Banned Substances and Materials of Interest Specification (CSP-9-111S2) and contain no "Banned Substances" as defined in CSP-9-111S2.

Leadfree products are RoHS compliant.



National Semiconductor
Americas Customer
Support Center
Email: new.feedback@nsc.com
Tel: 1-800-272-9959

National Semiconductor
Europe Customer Support Center
Fax: +49 (0) 180-530 85 86
Email: europe.support@nsc.com
Deutsch Tel: +49 (0) 69 9508 6208
English Tel: +44 (0) 870 24 0 2171
Français Tel: +33 (0) 1 41 91 8790

National Semiconductor
Asia Pacific Customer
Support Center
Email: ap.support@nsc.com

National Semiconductor
Japan Customer Support Center
Fax: 81-3-5639-7507
Email: jpn.feedback@nsc.com
Tel: 81-3-5639-7560