

1.1 Scope.

This specification covers the requirements for a high speed 12-bit resolution bipolar current output D/A converter with double buffered latch and high stability buried Zener reference.

1.2 Part Number.

The complete part number per Table 1 of this specification is as follows:

Device	Part Number
-1	AD567SD/883B

1.2.3 Case Outline.

See Appendix 1 of General Specification ADI-M-1000: package outline: D-28.

1.3 Absolute Maximum Ratings. ($T_A = +25^\circ\text{C}$ unless otherwise noted)

V_{CC} to Power Ground	0 to +18V
V_{EE} to Power Ground	0 to -18V
Voltage on DAC Output (Pin 2)	-3V to +12V
Digital Inputs (Pins 10-15, 17-28) to Power Ground	-1.0V to +7.0V
Ref In to Reference Ground	$\pm 12\text{V}$
Bipolar Offset to Reference Ground	$\pm 12\text{V}$
10V Span R to Reference Ground	$\pm 12\text{V}$
20V Span R to Reference Ground	$\pm 24\text{V}$
Ref Out	Indefinite Short to Power Ground Momentary Short to V_{CC}
Power Dissipation	1000mW
Storage Temperature Range	-65°C to $+150^\circ\text{C}$
Lead Temperature (Soldering 10sec)	$+300^\circ\text{C}$

1.5 Thermal Characteristics.

Thermal Resistance θ_{JC}	$= 25^\circ\text{C}/\text{W}$
θ_{JA}	$= 60^\circ\text{C}/\text{W}$

8
DIGITAL-TO-ANALOG CONVERTERS

AD567—SPECIFICATIONS

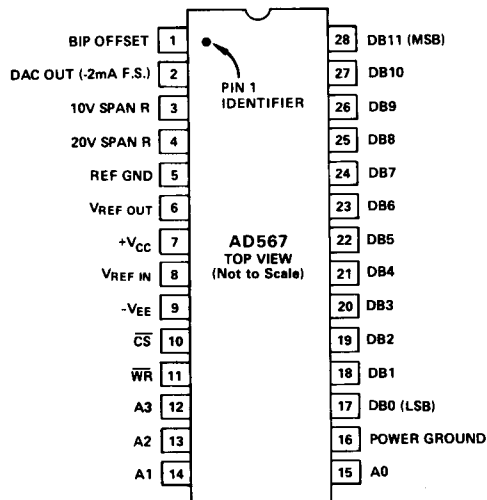
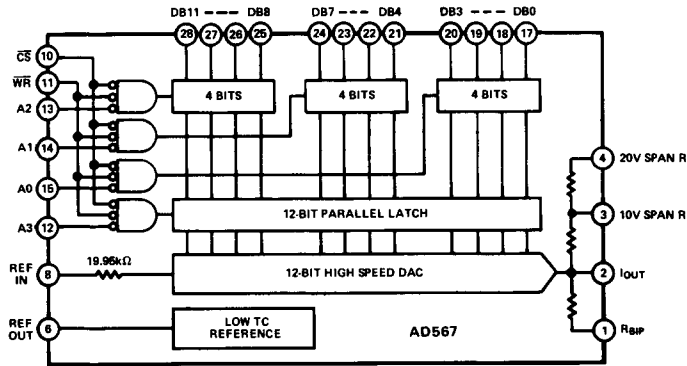
Table 1.

Test	Symbol	Device	Design Limit @ +25°C	Sub Group 1	Sub Group 2, 3	Test Condition ¹	Units
Relative Accuracy	RA	-1	1/2	1/2	3/4	All Bits with Positive Errors On. All Bits with Negative Errors On.	± LSB max
Differential Nonlinearity	DNL	-1	3/4	3/4	1	Major Carry Errors	± LSB max
Gain Error ²	A _E	-1	0.25	0.25		All Bits On	± % FSR max
Gain Temperature Coefficient	TCA _E	-1	30		30	All Bits On	± ppm/°C max
Unipolar Offset Error	V _{OS}	-1	0.05	0.05		All Bits Off	± % FSR max
Temperature Coefficient Unipolar Offset	TCV _{OS}	-1	2		2	All Bits Off	± ppm/°C max
Bipolar Zero Error ³	B _{PZE}	-1	0.15	0.15		MSB On, All Other Bits Off Bipolar	± % FSR max
B/P Zero Temperature Coefficient	TCB _{BZE}	-1	10		10	MSB On, All Other Bits Off Bipolar	± ppm/°C max
Reference Input Resistance	R _{IN}	-1	15 25				kΩ min kΩ max
Output Resistance	R _{OUT}	-1	6 10			Exclusive of Span Resistor	kΩ min kΩ min
Reference Output Voltage	V _{REF}	-1	9.9 10.10	9.9 10.10	9.9 10.10	Bipolar, 0.1mA External Load V _{CC} = +12V, V _{EE} = -12V ⁴	V min V max
Compliance Voltage	V _{CPL}	-1	1.5 10.0				- V min V max
Output Current Settling Time	t _{SL}	-1	500			See Figure 1	ns max
Output Current	I _{OUT}	-1	1.6 2.4 0.8 1.2	1.6 2.4 0.8 1.2		Unipolar All Bits On V _{IH} + 5.0V Bipolar All Bits On V _{IH} + 5.0V	- mA min - mA max - mA min - mA max
Power Supply Rejection Ratio	PSRR	-1	10 25	10 25		+11.4V ≤ V _{CC} ≤ +16.5V -16.5V ≤ V _{EE} ≤ -11.4V	ppm of FSR/ % max
Power Supply Current	I _{CC} I _{EE}	-1 -1	5 25	5 25		V _{CC} = +16.5V, V _{EE} = -16.5V All Bits Low	mA max - mA max
Power Dissipation	P _D	-1	495	495		V _{CC} = +16.5V, V _{EE} = -16.5V All Bits Low	mW max
Digital Input High Voltage	V _{IH}	-1	2.0 5.5	2.0			V min V max
Digital Input Low Voltage	V _{IL}	-1	0.8	0.8			V max
Digital Input High Current	I _{IH}	-1	300	300		V _{IH} = 5.5V	μA max
Digital Input Low Current	I _{IL}	-1	100	100		V _{IL} = 0.0V	μA max
Write Pulse Width	t _{WR}	-1	100			See Note 5	ns min
Data Setup Time	t _{OW}	-1	50			See Note 5	ns min
Data Hold Time	t _{DH}	-1	10			See Note 5	ns min
CS Valid to End of WR	t _{CW}	-1	100			See Note 5	ns min
Address Valid End of WR	t _{AW}	-1	100			See Note 5	ns min
Latch Functionality	A _{EA}	-1	1	1	1	See Notes 6 and 7	± LSB max
Latch Functionality	V _{OSA}	-1	1	1	1	See Note 6	± LSB max

NOTES

- ¹ $V_{CC} = +15V, V_{EE} = -15V$, 50 Ω resistor pin 6 to pin 8, $A_0, A_1, A_2, A_3, \overline{CS}, \overline{WR} = \text{Logic "0"}$, $V_{IH} = 2.0V, V_{IL} = 0.8V$, Unipolar configuration unless otherwise specified. $V_{IH} = +2.0V, V_{IL} = +0.7V$ guaranteed design limits at -55°C and $+125^\circ\text{C}$. Unipolar – pin 3 connected to amplifier output to utilize 10 volt span.
- ²Bipolar – pin 4 connected to amplifier output to utilize 20 volt span, 50 Ω resistor pin 1 to pin 6.
- ³Gain adjustment range $\pm 0.25\%$ min.
- ⁴Bipolar zero adjustment range $\pm 0.15\%$ min.
- ⁵In subgroup 1, the reference output is loaded with 0.5mA nominal reference current, 1.0mA bipolar offset current and 0.1mA additional current. In subgroups 2 and 3, only the 0.5mA reference input current is applied. The reference must be buffered to supply external loads at elevated temperatures.
- ⁶See Figure 1 and Table 2.
- ⁶All bits low, $A_0, A_1, A_2, A_3 = \text{Logic "0"}$; A_0, A_1, A_2, A_3 initialized to Logic "1", each 4-bit register set to Logic "1", and A_0, A_1, A_2 set sequentially to Logic "0" and back to Logic "1" to latch data into first rank.
- ⁷ A_3 set to Logic "0" and back to Logic "1" to latch full scale output into second rank.

3.2.1 Functional Block Diagram and Terminal Assignments.



3.2.4 Microcircuit Technology Group.

This microcircuit is covered by technology group (56).

4.2.1 Life Test/Burn-In Circuit.

Steady state life test is per MIL-STD-883 Method 1005. Burn-in is per MIL-STD-883 Method 1015 test condition (B).

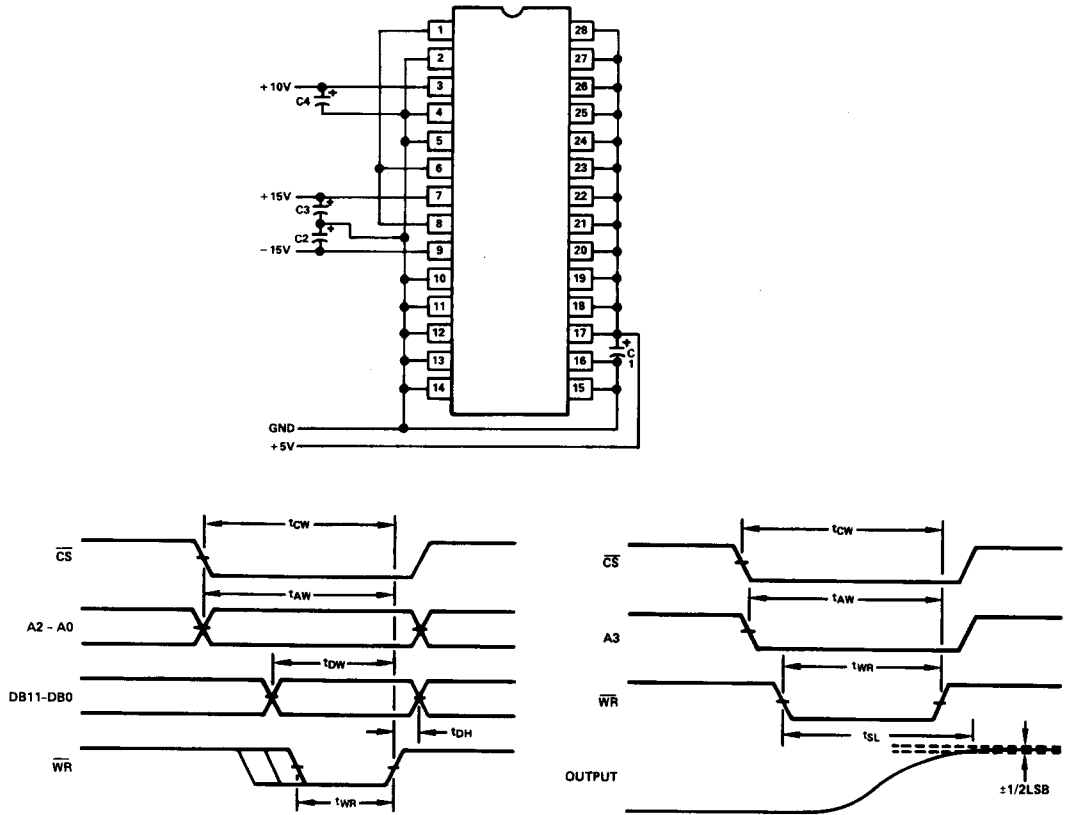


Figure 1.

Table 2. Truth Table

\overline{CS}	\overline{WR}	A3	A2	A1	A0	Operation
1	X	X	X	X	X	No Operation
X	1	X	X	X	X	No Operation
0	0	1	1	1	0	Enable 4 LSBs of First Rank
0	0	1	1	0	1	Enable 4 Middle Bits of First Rank
0	0	1	0	1	1	Enable 4 MSBs of First Rank
0	0	0	1	1	1	Loads Second Rank from First Rank
0	0	0	0	0	0	All Latches Transparent

"X" = Don't Care