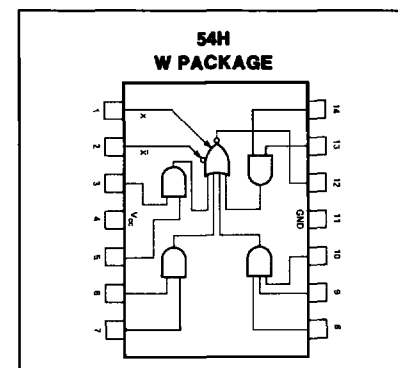
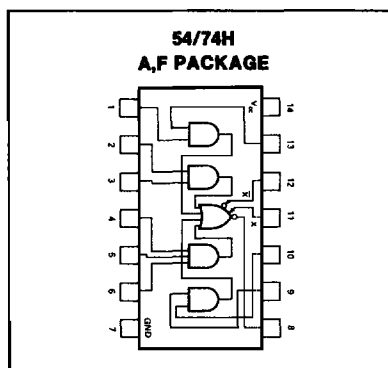
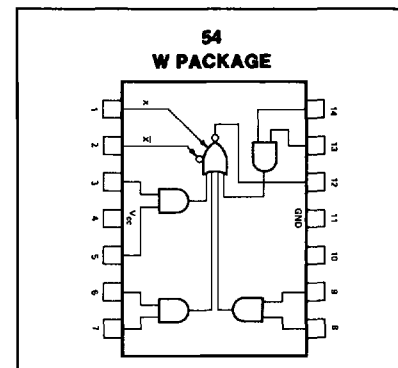
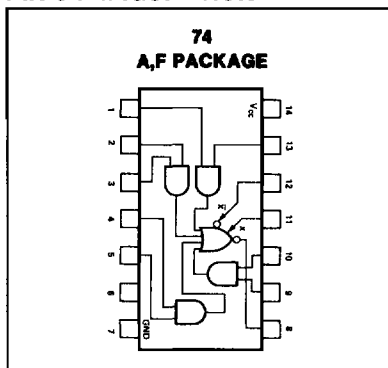


SPEED/PACKAGE AVAILABILITY

54	F,W	74	A,F
54H	F,W	74H	A,F

PIN CONFIGURATION



LOGIC

SWITCHING CHARACTERISTICS $V_{CC} = 5V, T_A = 25^\circ C$

TEST CONDITIONS	54/74			54/74H			UNIT
	MIN	TYP	MAX	MIN	TYP	MAX	
Propagation delay time tp _{LH} Low-to-high		13	22		7 Cx = 15pF 11.4	11	ns
tp _{HL} High-to-low		8	15		6.2 Cx = 15pF 7.4	11	ns

Load circuit and typical waveforms are shown at the front of section.