



Features

- Complete interface to a bidirectional T1 link
- D3/D4 or ESF framing and SLC-96 compatible
- Two frame elastic buffer with 32µs jitter buffer
- Insertion and detection of A, B, C, D bits Signalling freeze, optional debounce
- Selectable B8ZS, jammed bit (ZCS) or no zero code suppression
- Yellow and blue alarm signal capabilities
- Bipolar violation count, F_T error count, CRC error count
- Frame and superframe sync. signals, Tx and Rx
- Per channel, overall, and remote loop around
- 8 kHz synchronization output
- Digital phase detector between T1 line and ST-BUS
- ST-BUS compatible
- Pin compatible with the MH89760
- Inductorless clock recovery
- Loss of Signal (LOS) indication
- Available in standard, narrow and surface mount formats

ISSUE 5

May 1995

Ordering Information

MH89760B	40 Pin DIL Hybrid 1.3" row pitch
MH89760BN	40 Pin DIL Hybrid 0.8" row pitch
MH89760BS	40 Pin Surface Mount Hybrid
0°C to 70°C	

Description

The MH89760B is a complete T1 interface solution, meeting the Extended Super Frame (ESF), D3/D4 and SLC-96 formats. The MH89760B interfaces to the DS1 1.544 Mbit/sec digital trunk.

The MH89760B is a pin-compatible enhancement of the MH89760, permitting the removal of the tuneable inductor and inclusion of the external NAND gate used for generating RxD.

Applications

- DS1/ESF digital trunk interfaces
- Computer to PBX interfaces (DMI and CPI)
- High speed computer to computer data links

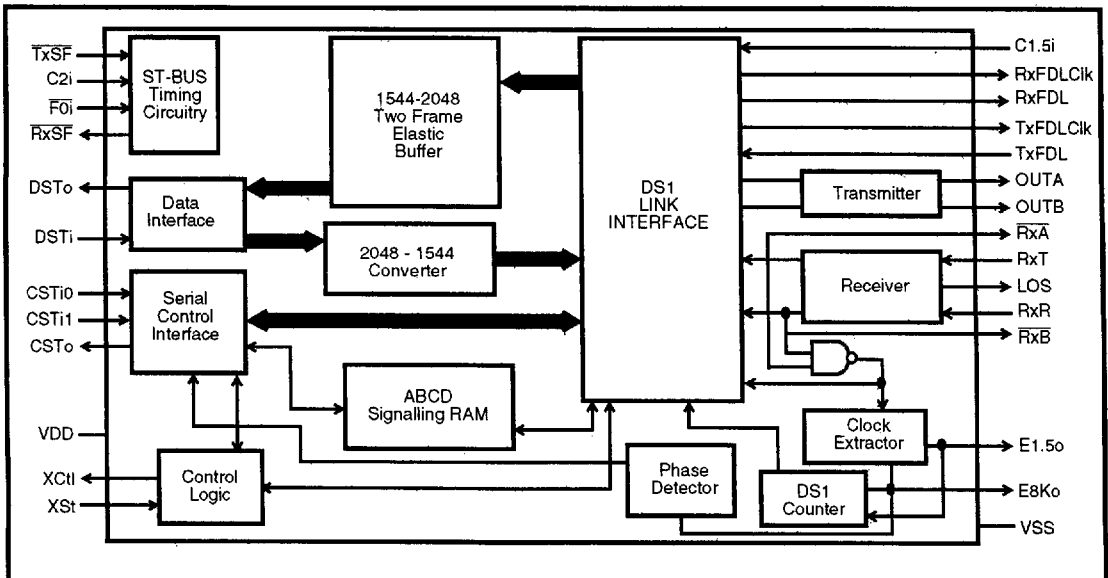


Figure 1 - Functional Block Diagram

■ 6249370 0012883 225 ■