

DM74S182 Look-Ahead Carry Generators

General Description

These circuits are high-speed, look-ahead carry generators, capable of anticipating a carry across four binary adders or groups of adders. They are cascadable to perform full look-ahead across n-bit adders. Carry, generate-carry, and propagate-carry functions are provided as shown in the pin designation table.

When used in conjunction with the 181 arithmetic logic unit, these generators provide high-speed carry look-ahead capability for any word length. Each S182 generates the look-ahead (anticipated carry) across a group of four ALU's and, in addition, other carry look-ahead circuits may be employed to anticipate carry across sections of four look-ahead packages up to n-bits. The method of cascading circuits to perform multi-level look-ahead is illustrated under typical application data.

Carry input and output of the ALU's are in their true form, and the carry propagate (P) and carry generate (G) are in ne-

gated form; therefore, the carry functions (inputs, outputs, generate, and propagate) of the look-ahead generators are implemented in the compatible forms for direct connection to the ALU. Reinterpretations of carry functions, as explained on the 181 data sheet are also applicable to and compatible with the look-ahead generator. Positive logic equations for the S182 are:

$$C_{n+x} = \overline{G_0} + \overline{P_0} C_n$$

$$C_{n+y} = \overline{G_1} + \overline{P_1} \overline{G_0} + \overline{P_1} \overline{P_0} C_n$$

$$C_{n+z} = \overline{G_2} + \overline{P_2} \overline{G_1} + \overline{P_2} \overline{P_1} \overline{G_0} + \overline{P_2} \overline{P_1} \overline{P_0} C_n$$

$$\overline{G} = \overline{G_3} (\overline{P_3} + \overline{G_2}) (\overline{P_3} + \overline{P_2} + \overline{G_1})$$

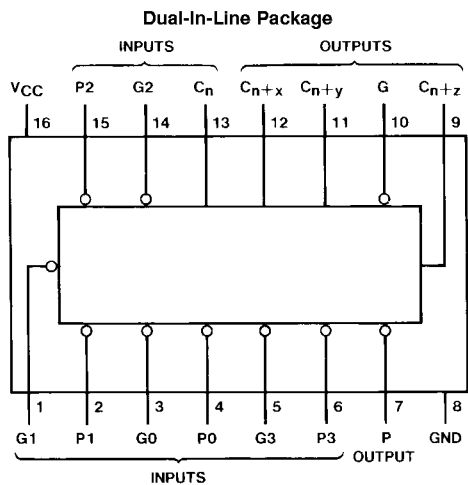
$$(\overline{P_3} + \overline{P_2} + \overline{P_1} + \overline{G_0})$$

$$\overline{P} = \overline{P_3} \overline{P_2} \overline{P_1} \overline{P_0}$$

Features

- Typical propagation delay time 7 ns
- Typical power dissipation 260 mW

Connection Diagram



DS006474-1

Order Number DM54S182J or DM74S182N
See Package Number J16A or N16E

Pin Designations

Designation	Pin Nos.	Function
G0, G1, G2, G3	3, 1, 14, 5	Active Low Carry Generate Inputs
P0, P1, P2, P3	4, 2, 15, 6	Active Low Carry Propagate Inputs
C _n	13	Carry Input
C _{n+x} , C _{n+y} , C _{n+z}	12, 11, 9	Carry Outputs
G	10	Active Low Carry Generate Output
P	7	Active Low Carry Propagate Output
V _{CC}	16	Supply Voltage
GND	8	Ground

Absolute Maximum Ratings (Note 1)

Supply Voltage	7V	DM54S	-55°C to +125°C
Input Voltage	5.5V	DM74S	0°C to +70°C
Operating Free Air Temperature Range		Storage Temperature Range	-65°C to +150°C

Recommended Operating Conditions

Symbol	Parameter	DM54S182			DM74S182			Units
		Min	Nom	Max	Min	Nom	Max	
V _{CC}	Supply Voltage	4.5	5	5.5	4.75	5	5.25	V
V _{IH}	High Level Input Voltage	2			2			V
V _{IL}	Low Level Input Voltage			0.8			0.8	V
I _{OH}	High Level Output Current			-1			-1	mA
I _{OL}	Low Level Output Current			20			20	mA
T _A	Free Air Operating Temperature	-55		125	0		70	°C

Note 1: The "Absolute Maximum Ratings" are those values beyond which the safety of the device cannot be guaranteed. The device should not be operated at these limits. The parametric values defined in the "Electrical Characteristics" table are not guaranteed at the absolute maximum ratings. The "Recommended Operating Conditions" table will define the conditions for actual device operation.

Electrical Characteristics

over recommended operating free air temperature (unless otherwise noted)

Symbol	Parameter	Conditions	Min	Typ (Note 2)	Max	Units	
V _I	Input Clamp Voltage	V _{CC} = Min, I _I = -18 mA			-1.2	V	
V _{OH}	High Level Output Voltage	V _{CC} = Min, I _{OH} = Max	DM54	2.5	3.4	V	
		V _{IL} = Max, V _{IH} = Min	DM74	2.7	3.4		
V _{OL}	Low Level Output Voltage	V _{CC} = Min, I _{OL} = Max V _{IH} = Min, V _{IL} = Max			0.5	V	
I _I	Input Current @ Max Input Voltage	V _{CC} = Max, V _I = 5.5V			1	mA	
I _{IH}	High Level Input Current	V _{CC} = Max V _I = 2.7V	P0, P1 or G3		200	μA	
			P3		100		
			P2		150		
			C _n		50		
			G0, G2		350		
			G1		400		
I _{IL}	Low Level Input Current	V _{CC} = Max V _I = 0.5V	P0, P1 or G3		-8	mA	
			P3		-4		
			P2		-6		
			C _n		-2		
			G0, G2		-14		
			G1		-16		
I _{OS}	Short Circuit Output Current	V _{CC} = Max (Note 3)	DM54	-40	-100	mA	
			DM74	-40	-100		
I _{CCH}	Supply Current with Outputs High	V _{CC} = Max (Note 4)	DM54		39	55	mA
			DM74		39	55	
I _{CCL}	Supply Currents with Outputs Low	V _{CC} = Max (Note 5)	DM54		69	99	mA
			DM74		69	109	

Note 2: All typicals are at V_{CC} = 5V, T_A = 25°C.

Note 3: Not more than one output should be shorted at a time, and the duration should not exceed one second.

Note 4: I_{CCH} is measured with all outputs open, inputs P3 and G3 at 4.5V, and all other inputs grounded.

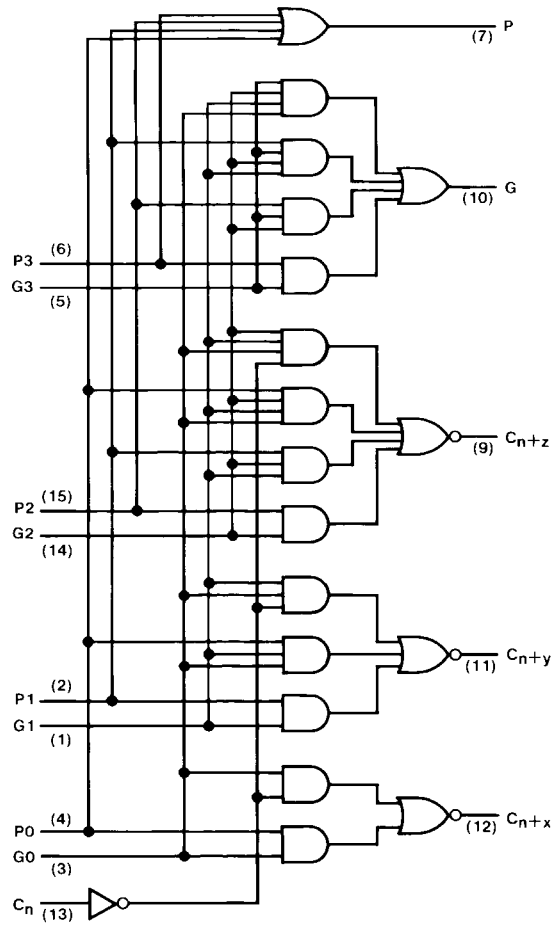
Note 5: I_{CCL} is measured with all outputs open, inputs G0, G1, and G2 at 4.5V, and all other inputs grounded.

Switching Characteristics

at $V_{CC} = 5V$ and $T_A = 25^\circ C$ (See Section 1 for Test Waveforms and Output Load)

Symbol	Parameter	From (Input) To (Output)	$R_L = 280\Omega$				Units
			$C_L = 15\text{ pF}$		$C_L = 50\text{ pF}$		
			Min	Max	Min	Min	
t_{PLH}	Propagation Delay Time Low to High Level Output	GN or PN to $C_{n+x, y, z}$		7		10	ns
t_{PHL}	Propagation Delay Time High to Low Level Output	GN or PN to $C_{n+x, y, z}$		7		11	ns
t_{PLH}	Propagation Delay Time Low to High Level Output	GN or PN to G		7.5		11	ns
t_{PHL}	Propagation Delay Time High to Low Level Output	GN or PN to G		10.5		14	ns
t_{PLH}	Propagation Delay Time Low to High Level Output	PN to P		6.5		10	ns
t_{PHL}	Propagation Delay Time High to Low Level Output	PN to P		10		14	ns
t_{PLH}	Propagation Delay Time Low to High Level Output	C_n to to $C_{n+x, y, z}$		10		13	ns
t_{PHL}	Propagation Delay Time High to Low Level Output	C_n to to $C_{n+x, y, z}$		10.5		14	ns

Logic Diagram

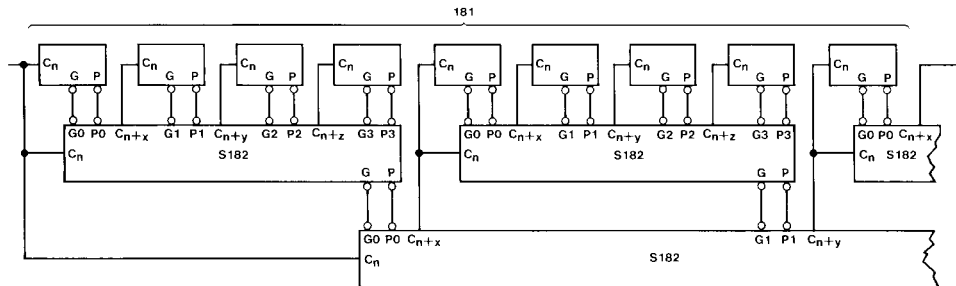


DS006474-2

V_{CC} = PIN 16
GND = PIN 8

Typical Application

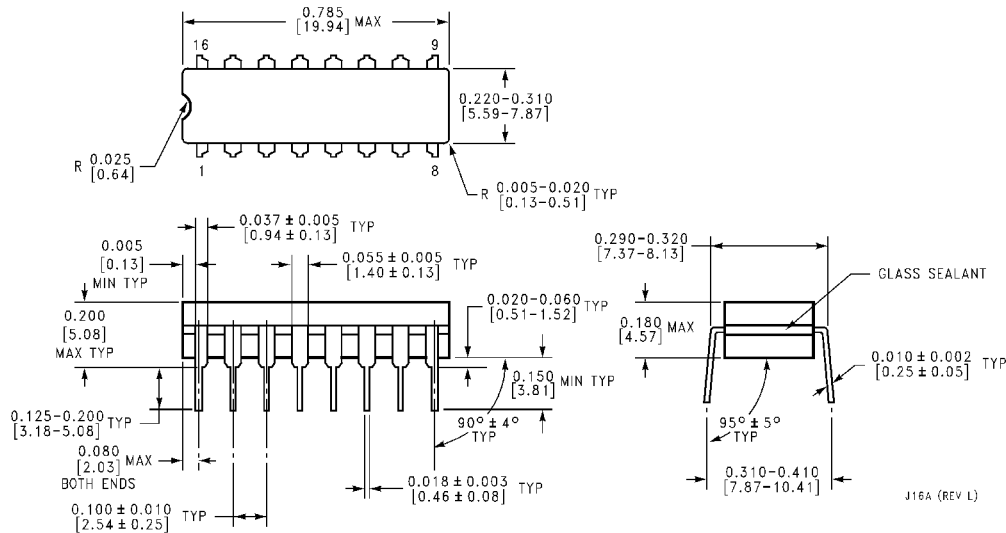
64-Bit ALU, Full-Carry Look Ahead in Three Levels



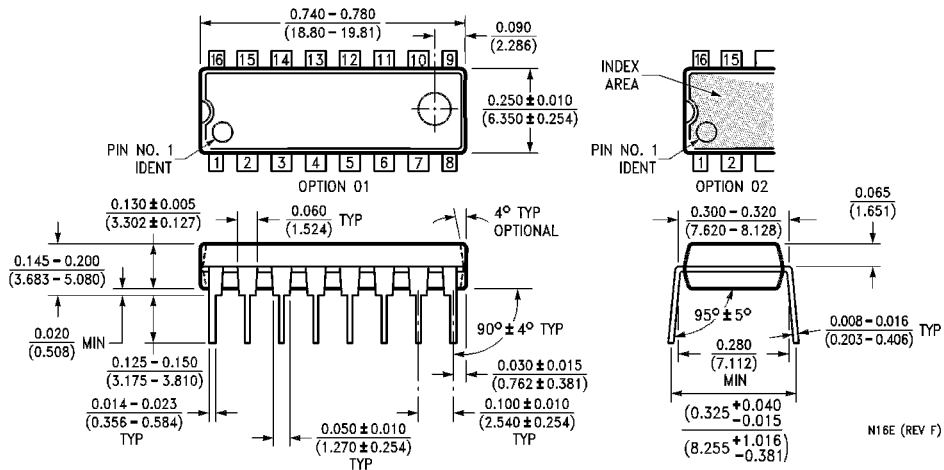
DS006474-3

A and B inputs, and F outputs of 181 are not shown.

Physical Dimensions inches (millimeters) unless otherwise noted



16-Lead Ceramic Dual-In-Line Package (J)
Order Number DM54S182J
Package Number J16A



16-Lead Molded Dual-In-Line Package (N)
Order Number DM74S182N
Package Number N16E