

# PBL 3764A/4, PBL 3764A/6 Subscriber Line Interface Circuit

## Description

*Note: All data is also valid for PBL 3764A/6, except maximum ratings for battery voltage. (See next page)*

The PBL 3764A/4 Subscriber Line Interface Circuit (SLIC) is a bipolar integrated circuit in 90 V technology which replaces the conventional transformer based analog line interface circuit in Digital Loop Carrier, PABX and other telecommunications equipment with a modern, compact solid state design. Not only is required PCB area reduced, but lesser component weight and height result as well. The PBL 3764A/4 has been optimized for low cost and to require only a minimum of external components.

The PBL 3764A/4 is an improved version of the PBL 3764 with an internal saturation guard programming resistor.

The PBL 3764A/4 programmable, constant-current feed system can operate with battery supply voltages down to 21 V to reduce line card power dissipation.

The SLIC incorporates loop current, ground key and ring trip detection functions as well as a ring relay driver.

Two-to four-wire and four- to two-wire voice frequency (vf) signal conversion is accomplished by the SLIC in conjunction with either a conventional CODEC/filter or with a programmable CODEC/filter (e.g. SLAC, SiCoFi, Combo II). The programmable line terminating impedance could be complex or real to fit every market.

Longitudinal line voltages are suppressed by a feedback loop in the SLIC. Longitudinal balance specifications exceed Bellcore and EIA requirements.

The PBL 3764A/4 packages are 22-pin dual-in-line or 28-pin PLCC.

The PBL 3764A/6 package is 28-pin PLCC.

## Key Features

- Battery feed characteristics programmable via external resistors; feed characteristics independent of SLIC battery supply variations
- Battery supply voltage as low as 21 V for power efficient line card designs
- Ring relay driver
- Loop current, ground key and ring trip detection functions
- Programmable loop current detector threshold
- Hybrid function with all types of CODEC/filter devices
- Programmable line terminating impedance, complex or real
- On-hook transmission
- Longitudinal balance specifications in excess of Bellcore and EIA requirements
- Low 35 mW @-24 V on-hook power dissipation
- Tip-ring open circuit state for subscriber loop power denial
- -40 °C to +85 °C ambient temperature range
- -85 V battery supply voltage for ring applications (PBL 3764A/6)

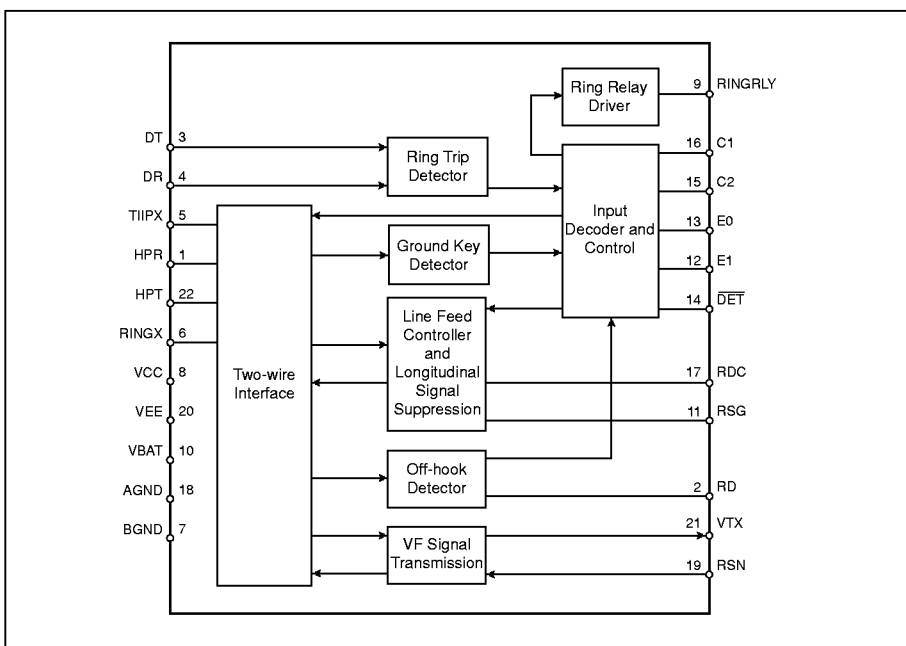
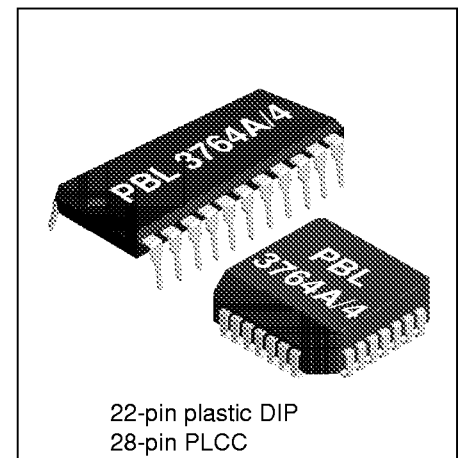


Figure 1. Block diagram.



## Ordering Information

Package	Temp. Range	Part No.
PDIP Tube	-40 to 85°C	PBL3764/4NS
PLCC Tube	-40 to 85°C	PBL3764/4QNS
PLCC Tube	-40 to 85°C	PBL3764/6QNS
PLCC Tape & Reel	-40 to 85°C	PBL3764/4QNT
PLCC Tape & Reel	-40 to 85°C	PBL3764/6QNT

Information given in this data sheet is believed to be accurate and reliable. However no responsibility is assumed for the consequences of its use nor for any infringement of patents or other rights of third parties which may result from its use. No license is granted by implication or otherwise under any patent or patent rights of Ericsson Components AB. These products are sold only according to Ericsson Components general conditions of sale, unless otherwise confirmed in writing.

Specifications subject to change without notice.

1522-PBL 3764+ Uen Rev. C  
© Ericsson Components AB 1999

This product is an original Ericsson product protected by US, European and other patents.



**Ericsson Components AB**  
S-164 81 Kista-Stockholm, Sweden  
Telephone: +46(0)8 757 50 00