

National Semiconductor is now part of
Texas Instruments.

Search <http://www.ti.com/> for the latest technical
information and details on our current products and services.

LP5551 PowerWise™ Technology Compliant Energy Management Unit

General Description

The LP5551 is a PWI 1.0 compliant Energy Management System for reducing power consumption of stand-alone mobile phone processors such as base-band or applications processors.

The LP5551 contains two advanced, digitally controlled switching regulators for supplying variable voltage to processor core and memory. Two regulators provide P- and N- well biasing for threshold scaling applications. The device also integrates 4 programmable LDO-regulators for powering I/O, PLLs and maintaining memory retention in shutdown-mode.

The device is controlled via the PWI open-standard interface. The LP5551 operates cooperatively with PowerWise™ technology compatible processors to optimize supply voltages adaptively over process and temperature variations or dynamically using frequency/voltage pre-characterized look-up tables and provides P- and N-well biasing for threshold scaling.

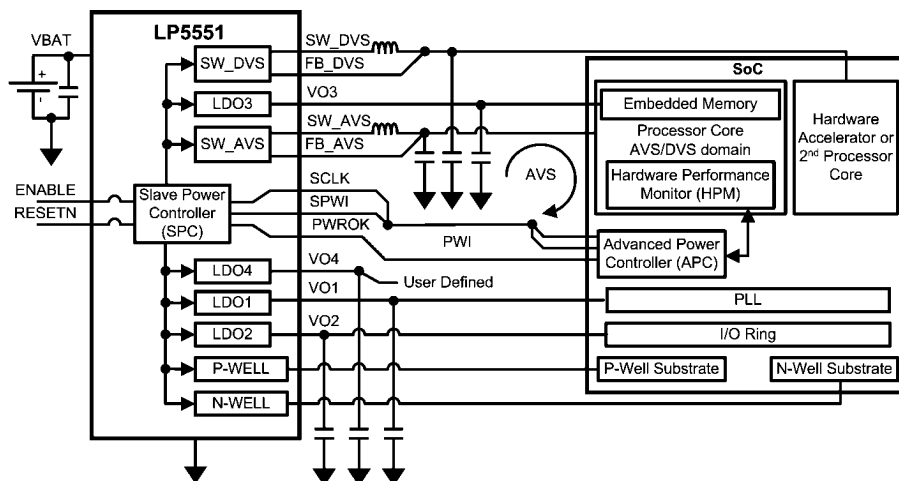
Features

- 2 300 mA buck regulators operate 180 degrees out of phase for reduced EMI
- 1 MHz PWM switching frequency
- 4 programmable LDOs ideal for I/O (two of these), PLL, and memory retention supply generation.
- Supports high-efficiency PowerWise Technology Adaptive Voltage Scaling
- PWI open standard interface for system power management
- Digitally controlled intelligent voltage scaling
- Auto or PWI controlled PFM mode transition
- Internal soft start/startup sequencing.
- Adjustable P- and N- well bias supply for threshold scaling
- Power OK output.

Applications

- Dual core processors
- GSM/GPRS/EDGE & UMTS cellular handsets
- Hand-held radios
- PDAs
- Battery powered devices
- Portable instruments

System Diagram



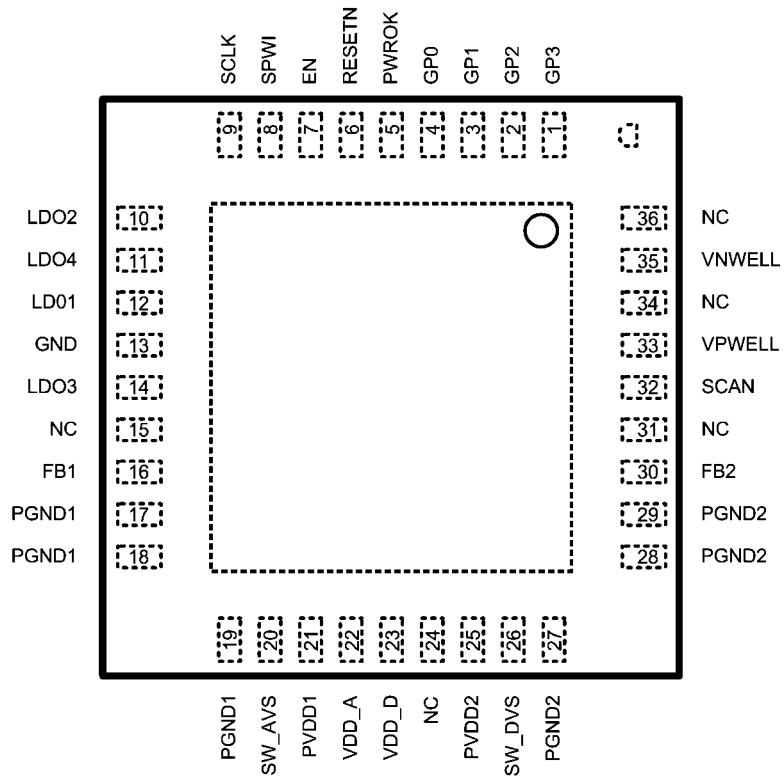
20172163

FIGURE 1. System Diagram

Connection Diagrams and Package Mark Information

36 - Pin LLP

NS Package Number SQA36A

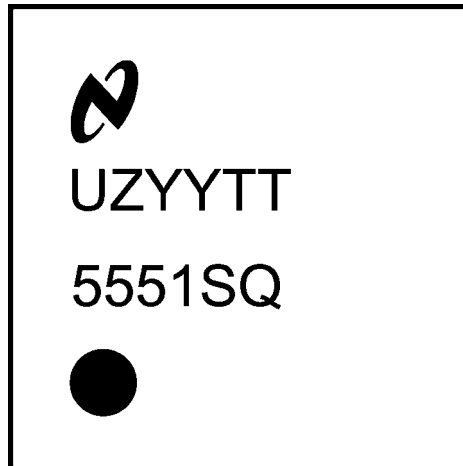


Top View

20172102

FIGURE 2. LP5551 Pinout

Package Mark

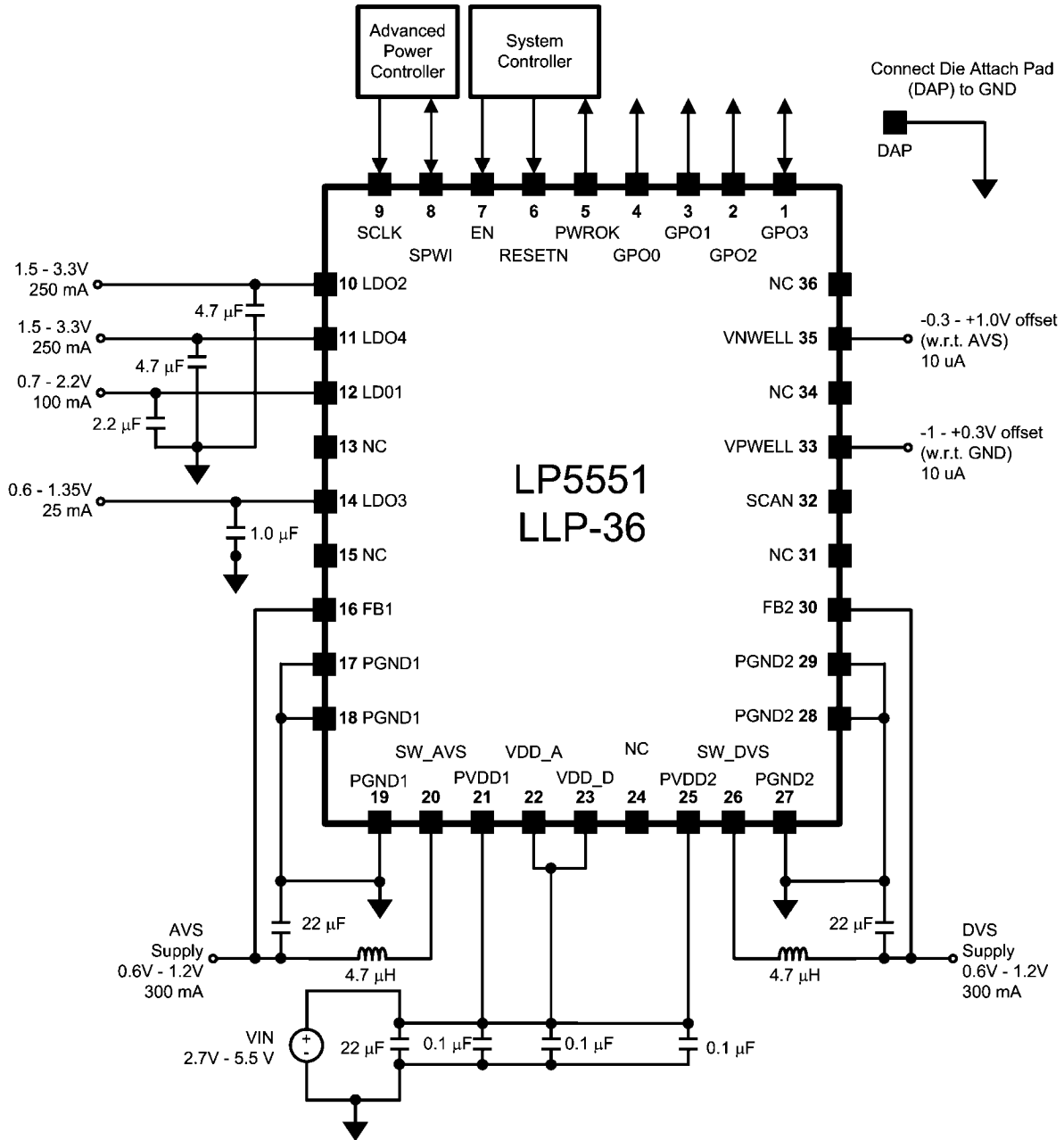


20172146

Note: The actual physical placement of the package marking will vary from part to part.

FIGURE 3. Top View

Typical Application



20172130

FIGURE 4. Typical Application Circuit

Pin Descriptions

Pin #	Name	I/O	Type	Description
0	DAP	G	G	Connect Die Attach Pad to ground
1	GP3	O	D	General purpose output pin
2	GP2	O	D	General purpose output pin
3	GP1	O	D	General purpose output pin
4	GP0	O	D	General purpose output pin
5	PWROK	O	D	Power OK, active high output signal

Pin #	Name	I/O	Type	Description
6	RESETN	I	D	Reset, active low
7	EN	I	D	Enable, active high
8	SPWI	I/O	D	PowerWise Interface (PWI) bi-directional data
9	SCLK	I	D	PowerWise Interface (PWI) clock input
10	LDO2	P	P	LDO2 output, for supplying the I/O voltage on the SoC
11	LDO4	P	P	LDO4 output, for supplying a fixed voltage to a PLL etc. on the SoC
12	LDO1	P	P	LDO1 output, user defined
13	NC			
14	LDO3	P	P	LDO3 output, on-chip memory supply voltage
15	NC			
16	FB1	P	P	AVS switcher feedback
17	PGND1	G	G	Power ground for the AVS switcher
18	PGND1	G	G	Power ground for the AVS switcher
19	PGND1	G	G	Power ground for the AVS switcher
20	SW1	P	P	AVS Switcher switch node; connected to inductor
21	PVDD1	P	P	Battery supply voltage for the AVS switcher
22	VDD_D	P	P	Battery supply voltage for digital
23	VDD_A	P	P	Battery supply voltage for analog
24	NC			
25	PVDD2	P	P	Battery supply voltage for the DVS switcher
26	SW2	P	P	DVS Switcher switch node; connected to inductor
27	PGND2	G	G	Power ground for the DVS switcher
28	PGND2	G	G	Power ground for the DVS switcher
29	PGND2	G	G	Power ground for the DVS switcher
30	FB2	P	P	DVS switcher feedback
31	NC			
32	SCAN			
33	VPWELL	P	P	P-well bias voltage
34	NC			
35	VNWELL	P	P	N-well bias voltage
36	NC			

A: Analog Pin

D: Digital Pin

I: Input Pin

O: Output Pin

I/O: Input/Output Pin

P: Power Pin

G: Ground Pin

Ordering Information

Voltage Option	Order Number	Package Marking	Supplied As
	LP5551SQ	LP5551SQ	1000 units, Tape-and-Reel
	LP5551SQX	LP5551SQ	4500 units, Tape-and-Reel

*Released. Samples available.

Absolute Maximum Ratings (Notes 1, 2)

If Military/Aerospace specified devices are required, please contact the National Semiconductor Sales Office/ Distributors for availability and specifications.

VDD_A, VDD_D, PVDD1, and PVDD2	-0.3 to + 6.0V
LDO1, LDO2, LDO3, LDO4, VNWELL to GND, VPwell, ENABLE, RESETN, FB1, FB2, SW_AVS, SW_DVS, GP0, GP1, GP2, and GP3	-0.3 to VDD_A + 0.3V
SPWI, SCLK, PWROK	-0.3 to VDD_D + 0.3V
GND, PGND1, PGND2, to GND SLUG	±0.3V

Junction Temperature (T _J -MAX)	150°C
Storage Temperature Range	-65°C to 150°C
Maximum Continuous Power Dissipation (PD-MAX) (Note 5)	TBD W

Maximum Lead Temperature (Soldering)	(Note 4)
ESD Rating (Note 3)	
Human Body Model:	
All pins	2.0kV

Operating Ratings (Notes 1, 2)

VDD_A, VDD_D, PVDD1, and PVDD2	2.7 V to 5.5 V
Junction Temperature (T _J) Range	-40°C to +125°C
Ambient Temperature (T _A) Range (Note 5)	-40°C to +85°C

Thermal Properties (Note 6)

Junction-to-Ambient Thermal Resistance (θ _{JA})	39.8°C/W
---	----------

General Electrical Characteristics Unless otherwise noted, V_{DD_A, _D}, V_{PVDD1,2}, RESETN, ENABLE = 3.6V. Typical values and limits appearing in normal type apply for T_J = 25°C. Limits appearing in boldface type apply over the entire junction temperature range for operation, -40 to +125°C. (Notes 2, 7, 8, 9)

Symbol	Parameter	Conditions	Min	Typ	Max	Units
I _Q	Shutdown Supply current	V _{DD_A, _D} , P _{VDD1,2} = 3.6 V, all circuits off. -40°C ≤ T _J ≤ 125°C		0.44	4	μA
		V _{DD_A, _D} , P _{VDD1,2} = 3.6 V, all circuits off. -40°C ≤ T _J ≤ 85°C		1	12	μA
	Sleep State Supply Current	V _{DD_A, _D} , V _{PVDD1,2} = 3.6 V, LDO3 on, LDO2 on (no load). All other circuits off.		135	186	μA
	Active State Supply Current	V _{DD_A, _D} , V _{PVDD1,2} = 3.6 V, all outputs on, no load		431	742	μA
UVLO high	Under Voltage Lockout, high threshold				2.7	
UVLO low	Under Voltage Lockout, low threshold		2.5			
T _{SD}	Thermal Shutdown Threshold			160		°C
	Thermal Shutdown Hysteresis			10		

LDO1 (PLL/Fixed Voltage) Characteristics Unless otherwise noted, V_{DD_A, _D}, V_{PVDD1,2}, RESETN, ENABLE = 3.6V. Typical values and limits appearing in normal type apply for T_J = 25°C. Limits appearing in boldface type apply over the entire junction temperature range for operation, -40 to +125°C. (Notes 2, 7, 8)

Symbol	Parameter	Conditions	Min	Typ	Max	Units
V _{OUT} Accuracy	Output Voltage	I _{OUT} = 50 mA, V _{OUT} = 1.2 V, 2.7 V ≤ V _{DD_A, _D} , V _{PVDD1,2} ≤ 5.5 V	-3.5%	1.2	3.1%	V
V _{OUT} Range	Programmable Output Voltage Range	Programming Resolution=100 mV	0.7	1.2	2.2	V
I _{OUT}	Rated Output Current	2.7 V ≤ V _{DD_A, _D} , V _{PVDD1,2} ≤ 5.5 V	0		100	mA
	Output Current Limit	V _{OUT} = 0 V			347	
I _Q	Quiescent Current	I _{OUT} = 0 mA (Note 11)		35		μA

Symbol	Parameter	Conditions	Min	Typ	Max	Units
ΔV_{OUT}	Line Regulation	$2.7\text{ V} \leq V_{DD_A_D}, V_{PVDD1,2} \leq 5.5\text{ V}$, $I_{OUT} = 50\text{ mA}$	-0.083		0.316	%/V
	Load Regulation	$V_{DD_A_D}, V_{PVDD1,2} = 3.6\text{ V}$, $1\text{ mA} \leq I_{OUT} \leq 100\text{ mA}$	-0.013		0.013	%/mA
	Line Transient Regulation	$3.6\text{ V} \leq V_{DD_A_D}, V_{PVDD1,2} \leq 3.9\text{ V}$, $T_{RISE,FALL} = 10\text{ }\mu\text{s}$		27		mV
	Load Transient Regulation	$V_{DD_A_D}, V_{PVDD1,2} = 3.6\text{ V}$, $10\text{ mA} \leq I_{OUT} \leq 90\text{ mA}$, $T_{RISE,FALL} = 100\text{ ns}$		86		mV
eN	Output Noise Voltage	$10\text{ Hz} \leq f \leq 100\text{ kHz}$, $C_{OUT} = 2.2\text{ }\mu\text{F}$		0.103		mVRMS
PSRR	Power Supply Ripple Rejection Ratio	$f = 1\text{ kHz}$, $C_{OUT} = 2.2\text{ }\mu\text{F}$		56		dB
		$f = 10\text{ kHz}$, $C_{OUT} = 2.2\text{ }\mu\text{F}$		36		dB
C_{OUT}	Output Capacitance Output Capacitor ESR	$0\text{ mA} \leq I_{OUT} \leq 100\text{ mA}$	1	2.2	20	μF
			5		500	m Ω
$t_{START-UP}$	Start-Up Time from Shut-down	$C_{OUT} = 1\text{ }\mu\text{F}$, $I_{OUT} = 100\text{ mA}$		54		μs

LDO2 (I/O Voltage) Characteristics Unless otherwise noted, $V_{DD_A_D}, V_{PVDD1,2}$ RESETN, ENABLE = 3.6 V. Typical values and limits appearing in normal type apply for $T_J = 25^\circ\text{C}$. Limits appearing in boldface type apply over the entire junction temperature range for operation, -40 to $+125^\circ\text{C}$. (Notes 2, 7, 8)

Symbol	Parameter	Conditions	Min	Typ	Max	Units
V_{OUT} Accuracy	Output Voltage	$I_{OUT} = 125\text{ mA}$, $V_{OUT} = 3.3\text{ V}$, $3.6\text{ V} \leq V_{DD_A_D} \leq 5.5\text{ V}$	-3.7%	3.3	2.8%	V
V_{OUT} Range	Programmable Output Voltage Range	$1.5\text{-}2.3\text{ V} = 100\text{ mV step}$, 2.5 V, 2.8 V, 3.0 V and 3.3 V	1.5	3.3	3.3	V
I_{OUT}	Rated Output Current	$3.6\text{ V} \leq V_{DD_A_D}, V_{PVDD1,2} \leq 5.5\text{ V}$	0		250	mA
	Output Current Limit	$V_{OUT} = 0\text{ V}$			615	
	Dropout Voltage(Note 10)	$I_{OUT} = 125\text{ mA}$		65	192	mV
I_Q	Quiescent Current	$I_{OUT} = 0\text{ mA}$ (Note 11)		55		μA
ΔV_{OUT}	Line Regulation	$3.6\text{ V} \leq V_{DD_A_D} \leq 5.5\text{ V}$, $I_{OUT} = 125\text{ mA}$	-0.08		0.312	%/V
	Load Regulation	$V_{DD_A_D}, V_{PVDD1,2} = 3.6\text{ V}$, $1\text{ mA} \leq I_{OUT} \leq 250\text{ mA}$	-0.018		0.018	%/mA
	Line Transient Regulation	$3.6\text{ V} \leq V_{DD_A_D}, V_{PVDD1,2} \leq 3.9\text{ V}$, $T_{RISE,FALL} = 10\text{ }\mu\text{s}$		24		mV
	Load Transient Regulation	$V_{DD_A_D}, V_{PVDD1,2} = 3.6\text{ V}$, $25\text{ mA} \leq I_{OUT} \leq 225\text{ mA}$, $T_{RISE,FALL} = 100\text{ ns}$		246		mV
eN	Output Noise Voltage	$10\text{ Hz} \leq f \leq 100\text{ kHz}$, $C_{OUT} = 4.7\text{ }\mu\text{F}$		0.120		mVRMS
PSRR	Power Supply Ripple Rejection Ratio	$f = 1\text{ kHz}$, $C_{OUT} = 4.7\text{ }\mu\text{F}$		46		dB
		$f = 10\text{ kHz}$, $C_{OUT} = 4.7\text{ }\mu\text{F}$		34		

Symbol	Parameter	Conditions	Min	Typ	Max	Units
C _{OUT}	Output Capacitance	0 mA ≤ I _{OUT} ≤ 250 mA	2	4.7	20	μF
	Output Capacitor ESR		5		500	mΩ
t _{START-UP}	Start-Up Time from Shut-down	C _{OUT} = 4.7 μF, I _{OUT} = 250 mA		144		μs

LDO3 (Memory Retention Voltage) Characteristics Unless otherwise noted, V_{DD,A,D}, V_{PVDD1,2} RESETN, ENABLE = 3.6V. Typical values and limits appearing in normal type apply for T_J = 25°C. Limits appearing in boldface type apply over the entire junction temperature range for operation, -40 to +125°C. (Notes 2, 7, 8)

Symbol	Parameter	Conditions	Min	Typ	Max	Units
V _{OFFSET}	Active State Buffer offset (= V _{O3} -V _{FB}) Output	25 mA ≤ I _{OUT} ≤ 50 mA, V _{DD,A,D} , V _{PVDD1,2} = 3.6V, AVS switcher V _{OUT} = 1.2 V, 200 mA ≤ AVS switcher I _{OUT} ≤ 300 mA	0	12	82	mV
V _{OUT} Accuracy	Sleep state: Memory retention voltage regulation	I _{OUT} = 5 mA, V _{OUT} = 1.2 V, 2.7 V ≤ V _{DD,A,D} , V _{PVDD1,2} ≤ 5.5 V	-3.6%	1.2	3.6%	V
V _{OUT} Range	Programmable Output Voltage Range (Sleep state)	Programming Resolution=50 mV	0.6	1.2	1.35	V
I _Q	Quiescent Current	Active mode, I _{OUT} = 10 μA (Note 11)		33	44	μA
		Sleep mode, I _{OUT} = 10 μA (Note 11)		10	16	μA
I _{OUT}	Rated Output Current, Active state	2.7 V ≤ V _{DD,A,D} , V _{PVDD1,2} ≤ 5.5 V			50	mA
	Rated Output Current, Sleep state	2.7 V ≤ V _{DD,A,D} , V _{PVDD1,2} ≤ 5.5 V			5	
	Output Current Limit, Active state	V _{OUT} = 0 V			397	
eN	Output Voltage Noise	10 Hz ≤ f ≤ 100 kHz, C _{OUT} = 1 μF		0.0158		mVRMS
PSRR	Power Supply Ripple Rejection Ratio	f = 217 Hz, C _{OUT} = 1.0 μF		36		dB
C _{OUT}	Output Capacitance	0 mA ≤ I _{OUT} ≤ 5 mA	0.7	1	2.2	μF
	Output Capacitor ESR		5		500	mΩ

LDO4 Characteristics Unless otherwise noted, V_{DD,A,D}, V_{PVDD1,2} RESETN, ENABLE = 3.6V. Typical values and limits appearing in normal type apply for T_J = 25°C. Limits appearing in boldface type apply over the entire junction temperature range for operation, -40 to +125°C. (Notes 2, 7, 8)

Symbol	Parameter	Conditions	Min	Typ	Max	Units
V _{OUT} Accuracy	Output Voltage	I _{OUT} = 125 mA, V _{OUT} = 3.3 V, 3.6 V ≤ V _{DD,A,D} , V _{PVDD1,2} ≤ 5.5 V	-3.7%	3.3	3.1%	V
V _{OUT} Range	Programmable Output Voltage Range	1.5-2.3 V = 100 mV step, 2.5 V, 2.8V, 3.0 V and 3.3 V	1.5	3.3	3.3	V
I _{OUT}	Rated Output Current	3.6 V ≤ V _{DD,A,D} , V _{PVDD1,2} ≤ 5.5 V	0		250	mA
	Output Current Limit	V _{OUT} = 0 V			629	
	Dropout Voltage(Note 10)	I _{OUT} = 125 mA		65	246	mV
I _Q	Quiescent Current	I _{OUT} = 0 mA (Note 11)		55		μA

Symbol	Parameter	Conditions	Min	Typ	Max	Units
ΔV_{OUT}	Line Regulation	$3.6\text{ V} \leq V_{DD_A_D}, V_{PVDD1,2} \leq 5.5\text{ V}$, $I_{OUT} = 125\text{ mA}$	-0.081		0.306	%/V
	Load Regulation	$V_{IN} = 3.6\text{ V}$, $1\text{ mA} \leq I_{OUT} \leq 250\text{ mA}$	-0.018		0.018	%/mA
	Line Transient Regulation	$3.6\text{ V} \leq V_{DD_A_D}, V_{PVDD1,2} \leq 3.9\text{ V}$, $T_{RISE,FALL} = 10\text{ }\mu\text{s}$		24		mV
	Load Transient Regulation	$V_{DD_A_D}, V_{PVDD1,2} = 3.6\text{ V}$, $25\text{ mA} \leq I_{OUT} \leq 225\text{ mA}$, $T_{RISE,FALL} = 100\text{ ns}$		246		mV
eN	Output Noise Voltage	$10\text{ Hz} \leq f \leq 100\text{ kHz}$, $C_{OUT} = 4.7\text{ }\mu\text{F}$		0.120		mVRMS
PSRR	Power Supply Ripple Rejection Ratio	$f = 1\text{ kHz}$, $C_{OUT} = 4.7\text{ }\mu\text{F}$		46		dB
		$f = 10\text{ kHz}$, $C_{OUT} = 4.7\text{ }\mu\text{F}$		34		
C_{OUT}	Output Capacitance	$0\text{ mA} \leq I_{OUT} \leq 250\text{ mA}$	2	4.7	20	μF
	Output Capacitor ESR		5		500	m Ω
$t_{START-UP}$	Start-Up Time from Shut-down	$C_{OUT} = 4.7\text{ }\mu\text{F}$, $I_{OUT} = 250\text{ mA}$		144		μs

AVS/DVS Switcher Characteristics Unless otherwise noted, $V_{DD_A_D}$, $V_{PVDD1,2}$, RESETN, ENABLE = 3.6V. Typical values and limits appearing in normal type apply for $T_J = 25^\circ\text{C}$. Limits appearing in boldface type apply over the entire junction temperature range for operation, -40 to $+125^\circ\text{C}$. (Notes 2, 7, 8)

Symbol	Parameter	Conditions	Min	Typ	Max	Units
V_{OUT} Accuracy	Output Voltage	$I_{OUT} = 200\text{ mA}$, $V_{OUT} = 1.2\text{ V}$, $V_{DD_A_D}, V_{PVDD1,2} = 3.6\text{ V}$	-4.1%	1.2	4.3%	V
V_{OUT} Range	Programmable Output Voltage Range	Programming Resolution = 4.7 mV	0.6	1.2	1.2	V
ΔV_{OUT}	Line regulation	$2.7\text{ V} < V_{DD_A_D}, V_{PVDD1,2} < 5.5\text{ V}$, $I_{OUT} = 10\text{ mA}$		0.18		%/V
	Load regulation	$V_{DD_A_D}, V_{PVDD1,2} = 3.6\text{ V}$ $I_{OUT} = 100\text{-}300\text{ mA}$		0.011		%/mA
I_Q	Quiescent current consumption	$I_{OUT} = 0\text{ mA}$		15		μA
$R_{DSON(P)}$	P-FET resistance	$V_{DD_A_D}, V_{PVDD1,2} = V_{GS} = 3.6\text{ V}$		425	690	m Ω
$R_{DSON(N)}$	N-FET resistance	$V_{DD_A_D}, V_{PVDD1,2} = V_{GS} = 3.6\text{ V}$		345	635	m Ω
I_{LIM}	Switch peak current limit	$2.7\text{ V} < V_{DD_A_D} < 5.5\text{ V}$	350	520	750	mA
f_{OSC}	Internal oscillator frequency	PWM-mode	805	1000	1125	kHz
C_{OUT}	Output Capacitance	$0\text{ mA} \leq I_{OUT} \leq 300\text{ mA}$		22		μF
	Output Capacitor ESR		5		500	m Ω
L	Inductor inductance	$0\text{ mA} \leq I_{OUT} \leq 300\text{ mA}$		4.7		μH
R_{VFB}	V_{FB} pin resistance to ground		150		440	k Ω

N-Well Bias Characteristics Unless otherwise noted, $V_{DD_A_D}$, $V_{PVDD1,2}$, RESETN, ENABLE = 3.6V. Typical values and limits appearing in normal type apply for $T_J = 25^\circ\text{C}$. Limits appearing in boldface type apply over the entire junction temperature range for operation, -40 to $+125^\circ\text{C}$. (Notes 2, 7, 8)

Symbol	Parameter	Conditions	Min	Typ	Max	Units
V_{OFFSET} Accuracy	Output Voltage Offset Tolerance	$V_{\text{AVS}} = 1.2\text{ V}$ $V_{\text{OFFSET}} = -0.3\text{ V}$ $I_{\text{OUT}} = 10\ \mu\text{A}$ $2.7 \leq V_{\text{DD_A_D}}, P_{\text{VDD1,2}} \leq 5.5\text{ V}$	-0.363	-0.3	-0.266	V
	Line Regulation	$I_{\text{OUT}} = 10\ \mu\text{A}, V_{\text{OFFSET}} = -0.315$ $2.7\text{ V} \leq V_{\text{DD_A_D}}, P_{\text{VDD1,2}} \leq 5.5\text{ V}$		0.321		%/V
	Load Regulation	$V_{\text{DD_A_D}}, P_{\text{VDD1,2}} = 3.6\text{ V}$ $V_{\text{AVS}} = 1.2\text{ V}$ $0.1\ \mu\text{A} \leq I_{\text{OUT}} \leq 10\ \mu\text{A}$		-0.107		%/mA
V_{OFFSET} Range	Programmable Output Voltage Offset: Referenced to V_{AVS}	Programming Resolution: See Register Table	-0.315	0	1	V
I_{Q}	Quiescent Current			50		μA
$I_{\text{SOURCE/SINK}}$	Output Sourcing and Sinking Capability	$V_{\text{DD_A_D}}, P_{\text{VDD1,2}} = 3.6\text{ V}$, $V_{\text{OFFSET}} = 1\text{ V}$ $V_{\text{OFFSET}} > V_{\text{OFFSET(NOM)}} - 15\text{ mV}$ Steady State	3			mA
$I_{\text{SC (SOURCE)}}$	Output Source Short Circuit Limit	$V_{\text{DD_A_D}}, P_{\text{VDD1,2}} = 3.6\text{ V}$, $V_{\text{NWELL}} = 0\text{ V}$ Steady State			42	mA
$I_{\text{SC (SINK)}}$	Output Sink Short Circuit Limit	$V_{\text{DD_A_D}}, P_{\text{VDD1,2}} = 3.6\text{ V}$, $V_{\text{NWELL}} = V_{\text{DD_A}}$ Steady State			65	mA
C_{LOAD}	Output Capacitance Of Load	$0\ \mu\text{A} \leq I_{\text{OUT}} \leq 3\ \mu\text{A}$	0.1	1	5	nF

P-Well Characteristics Unless otherwise noted, $V_{DD_A_D}$, $V_{PVDD1,2}$, RESETN, ENABLE = 3.6V. Typical values and limits appearing in normal type apply for $T_J = 25^\circ\text{C}$. Limits appearing in boldface type apply over the entire junction temperature range for operation, -40 to $+125^\circ\text{C}$. (Notes 2, 7, 8)

Symbol	Parameter	Conditions	Min	Typ	Max	Units
V_{OUT} Accuracy	Output Voltage Tolerance	$V_{\text{OUT}} = 0\text{ V}$ $I_{\text{OUT}} = 10\ \mu\text{A}$ $2.7 \leq V_{\text{DD_A_D}}, P_{\text{VDD1,2}} \leq 5.5\text{ V}$ Bias Current Control bits = 00	-0.035	0	0.035	V
	Line Regulation	$I_{\text{OUT}} = 10\ \mu\text{A}$ $V_{\text{OUT}} = 0.3\text{ V}$ $2.7\text{ V} \leq V_{\text{DD_A_D}}, P_{\text{VDD1,2}} \leq 5.5\text{ V}$		0.159		%/V
	Load Regulation	$V_{\text{DD_A_D}}, P_{\text{VDD1,2}} = 3.6\text{ V}$ $V_{\text{OUT}} = 0.3\text{ V}$ $0.1\ \mu\text{A} \leq I_{\text{OUT}} \leq 10\ \mu\text{A}$		0.011		%/ μA
V_{OUT} Range	Programmable Output Voltage Offset: Referenced to Ground	$0\text{ mA} \leq I_{\text{OUT}} \leq 10\ \mu\text{A}$ Programming Resolution: See Register Table	-1	0	0.3	V
I_{Q}	Quiescent Current	$I_{\text{OUT}} = 0$, P-well Bias Current Control bits = 00		150	270	μA

Symbol	Parameter	Conditions	Min	Typ	Max	Units
I _{SINK}	Output Sinking Capability	V _{DD_A,_D} , P _{VDD1,2} = 3.6 V Bias Current Control bits = 00 V _{OUT} > V _{OUT(NOM)} - 15 mV(Note 12)	8			uA
		V _{DD_A,_D} , P _{VDD1,2} = 3.6 V Bias Current Control bits = 01 V _{OUT} > V _{OUT(NOM)} - 15 mV(Note 12)	36			
		V _{DD_A,_D} , P _{VDD1,2} = 3.6 V Bias Current Control bits = 10 V _{OUT} > V _{OUT(NOM)} - 15 mV(Note 12)	52			
		V _{DD_A,_D} , P _{VDD1,2} = 3.6 V Bias Current Control bits = 11 V _{OUT} > V _{OUT(NOM)} - 15 mV(Note 12)	80			
I _{SOURCE}	Output Source Capability	V _{DD_A,_D} , P _{VDD1,2} = 2.7 V	100			uA
C _{LOAD}	Output Capacitance of Load	0µA ≤ I _{OUT} ≤ 3 uA	0.1	1	5	nF

Logic and Control Inputs Unless otherwise noted, V_{DD_A,_D}, V_{PVDD1,2}, RESETN, ENABLE = 3.6V. Typical values and limits appearing in normal type apply for T_J = 25°C. Limits appearing in boldface type apply over the entire junction temperature range for operation, -40 to +125°C. (Notes 2, 7, 8, 9)

Symbol	Parameter	Conditions	Min	Typ	Max	Units
PW _{I_CLOCK}	Rated frequency	2.7 V ≤ V _{DD_A,_D} , V _{PVDD1,2} ≤ 5.5 V			15	MHz
V _{IL}	Input Low Level	ENABLE, RESETN, SPWI, SCLK 2.7 V ≤ V _{DD_A,_D} , V _{PVDD1,2} ≤ 5.5 V			0.4	V
V _{IH}	Input High Level	ENABLE, RESETN 2.7 V ≤ V _{DD_A,_D} , V _{PVDD1,2} ≤ 5.5 V	2			V
V _{IH_PWI}	Input High Level, PWI	SPWI, SCLK, 1.5 V ≤ V _{O2} ≤ 3.3 V	V_{O2}-0.4V			V
I _{IL}	Logic Input Current	ENABLE, RESETN, 0 V ≤ V _{DD_A,_D} , V _{PVDD1,2} ≤ 5.5 V	-5		5	µA
I _{IL_PWI}	Logic Input Current, PWI	SPWI, SCLK, 1.5 V ≤ V _{O2} ≤ 3.3 V	-5		15	µA
R _{PD_PWI}	Pull-down resistance for PWI signals		0.5	1	2	MΩ
T _{EN_LOW}	Minimum low pulse width to enter STARTUP state	ENABLE pulsed high - low - high		10		µsec

Logic and Control Outputs Unless otherwise noted, V_{DD_A,_D}, V_{PVDD1,2}, RESETN, ENABLE = 3.6V. Typical values and limits appearing in normal type apply for T_J = 25°C. Limits appearing in boldface type apply over the entire junction temperature range for operation, -40 to +125°C. (Notes 2, 7, 8, 9)

Symbol	Parameter	Conditions	Min	Typ	Max	Units
V _{OL}	Output low level	PWROK, GPOx, SPWI, I _{SINK} ≤ 1 mA			0.4	V
V _{OH}	Output high level	PWROK, GPOx, I _{SOURCE} ≤ 1 mA	V_{BAT1}-0.4V			V
V _{OH_PWI}	Output high level, PWI	SPWI, I _{SOURCE} ≤ 1 mA	V_{O2}-0.4V			V

Note 1: Absolute Maximum Ratings indicate limits beyond which damage to the component may occur. Operating Ratings are conditions under which operation of the device is guaranteed. Operating Ratings do not imply guaranteed performance limits. For guaranteed performance limits and associated test conditions, see the Electrical Characteristics tables.

Note 2: All voltages are with respect to the potential at the GND pin.

Note 3: The Human body model is a 100 pF capacitor discharged through a 1.5 kΩ resistor into each pin.

The amount of Absolute Maximum power dissipation allowed for the device depends on the ambient temperature and can be calculated using the formula P = (T_J - T_A)/θ_{JA}, (1) where T_J is the junction temperature, T_A is the ambient temperature, and θ_{JA} is the junction-to-ambient thermal resistance.

Junction-to-ambient thermal resistance is highly application and board-layout dependent. In applications where high maximum power dissipation exists, special care must be paid to thermal dissipation issues in board design.

Internal thermal shutdown circuitry protects the device from permanent damage. Thermal shutdown engages at T_J=150°C (typ.) and disengages at T_J=140°C (typ.).

Note 4: For detailed soldering specifications and information, please refer to National Semiconductor Application Note 1187: Leadless Leadframe Package (LLP) (AN-1187).

Note 5: In applications where high power dissipation and/or poor package thermal resistance is present, the maximum ambient temperature may have to be derated. Maximum ambient temperature (T_{A-MAX}) is dependent on the maximum operating junction temperature ($T_{J-MAX-OP} = 125^{\circ}\text{C}$), the maximum power dissipation of the device in the application (P_{D-MAX}), and the junction-to ambient thermal resistance of the part/package in the application (θ_{JA}), as given by the following equation: $T_{A-MAX} = T_{J-MAX-OP} - (\theta_{JA} \times P_{D-MAX})$.

Note 6: Junction-to-ambient thermal resistance (θ_{JA}) is taken from a thermal modeling result, performed under the conditions and guidelines set forth in the JEDEC standard JESD51-7. The test board is a 4-layer FR-4 board measuring 102mm x 76mm x 1.6mm with a 2x1 array of thermal vias. The ground plane on the board is 50mm x 50mm. Thickness of copper layers are 36 μm /18 μm /18 μm /36 μm (1.5oz/1oz/1oz/1.5oz). Ambient temperature in simulation is 22 $^{\circ}\text{C}$, still air. Power dissipation is 1W.

Junction-to-ambient thermal resistance is highly application and board-layout dependent. In applications where high maximum power dissipation exists, special care must be paid to thermal dissipation issues in board design.

The value of θ_{JA} of this product can vary significantly, depending on PCB material, layout, and environmental conditions. In applications where high maximum power dissipation exists (high VIN, high IOUT), special care must be paid to thermal dissipation issues. For more information on these topics, please refer to Application Note 1187: Leadless Leadframe Package (LLP) and the Power Efficiency and Power Dissipation section of this datasheet.

Note 7: All limits are guaranteed by design, test and/or statistical analysis. All electrical characteristics having room-temperature limits are tested during production with $T_J = 25^{\circ}\text{C}$. All hot and cold limits are guaranteed by correlating the electrical characteristics to process and temperature variations and applying statistical process control.

Note 8: Capacitors: Low-ESR Surface-Mount Ceramic Capacitors are (MLCCs) used in setting electrical characteristics

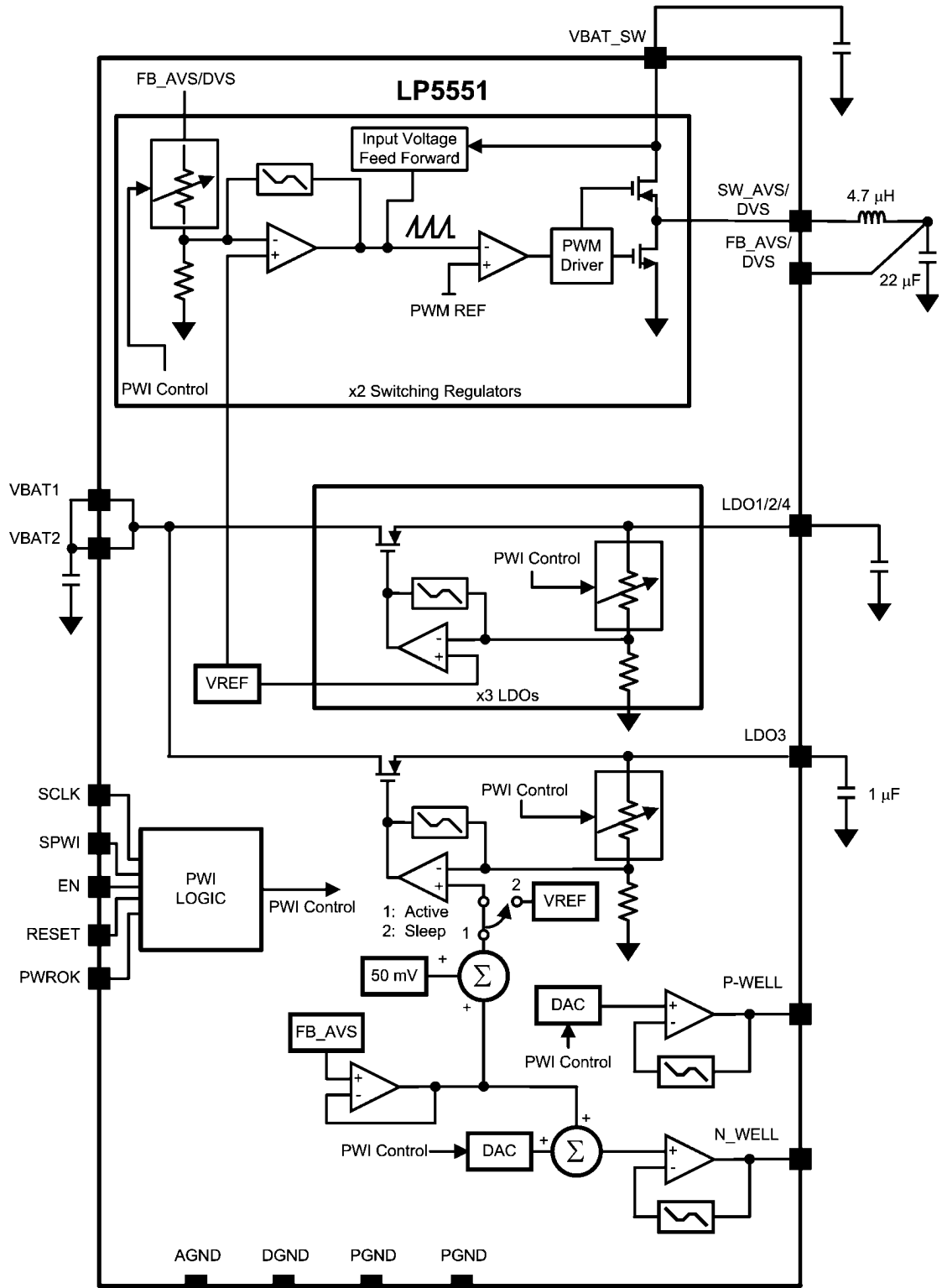
Note 9: Guaranteed by design.

Note 10: Dropout voltage is the input-to-output voltage difference at which the output voltage is 100mV below its nominal value. This specification does not apply in cases it implies operation with an input voltage below the 2.7V minimum appearing under Operating Ratings. For example, this specification does not apply for devices having 1.5V outputs because the specification would imply operation with an input voltage at or about 1.5V

Note 11: Quiescent current for LDO1, LDO2, LDO3, and LDO4 do not include shared functional blocks such as the bandgap reference.

Note 12: The output voltage is guaranteed not to drop more than 15 mV ($V_{OUT} < V_{OUT(NOM)} - 15 \text{ mV}$) while sinking the specified current.

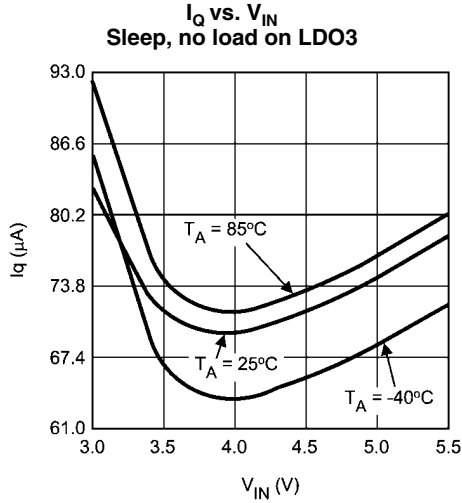
Simplified Functional Diagram



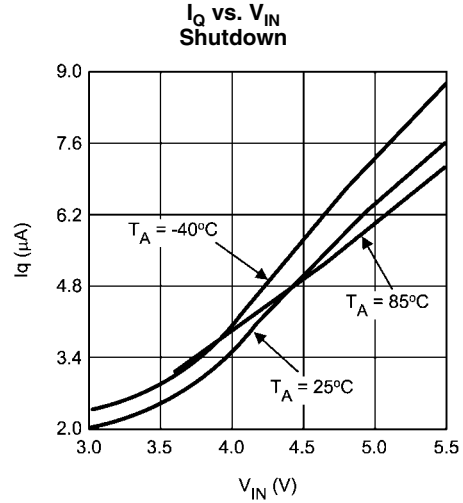
20172132

FIGURE 5. Simplified Functional Diagram

Typical Performance Characteristics Unless otherwise stated: $V_{IN}=3.6V$

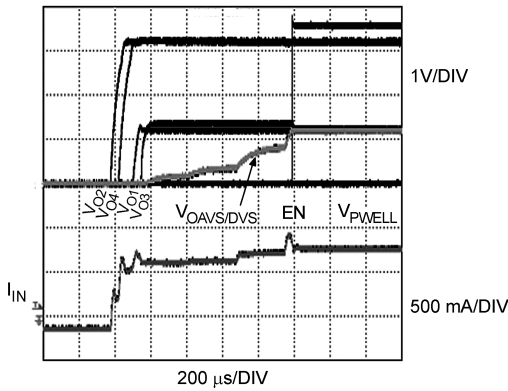


20172104



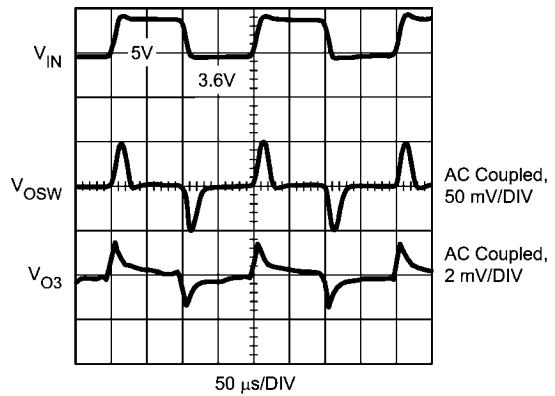
20172105

Start-up Sequence
All Outputs at Maximum Rated Load



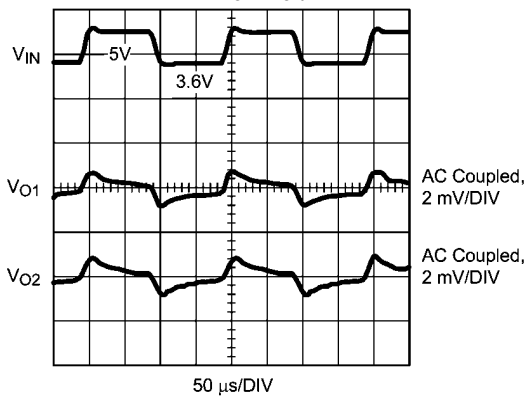
20172106

Line Transient Response
 V_{OSW}, V_{O3}



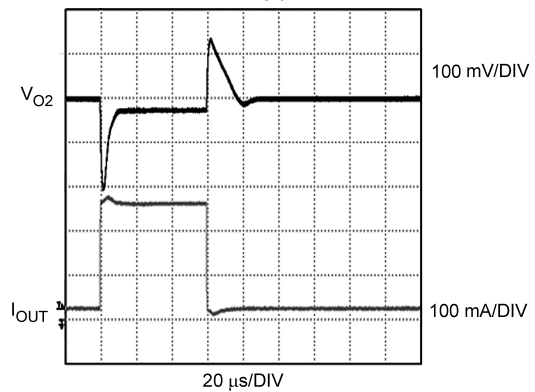
20172109

Line Transient Response
 $V_{O1}, V_{O2/4}$



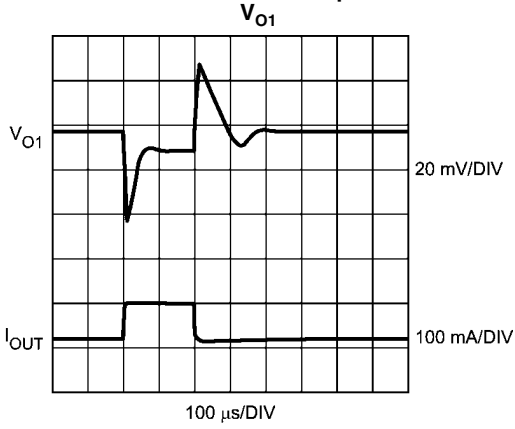
20172153

Load Transient Response
 $V_{O2/4}$



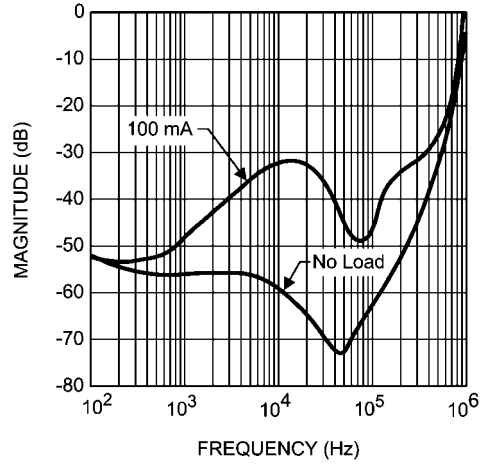
20172154

Load Transient Response



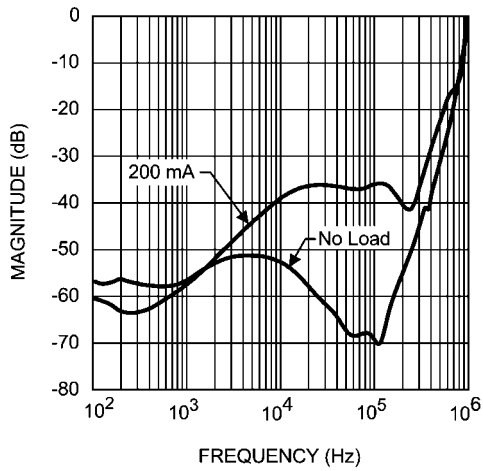
20172155

LDO1 PSRR



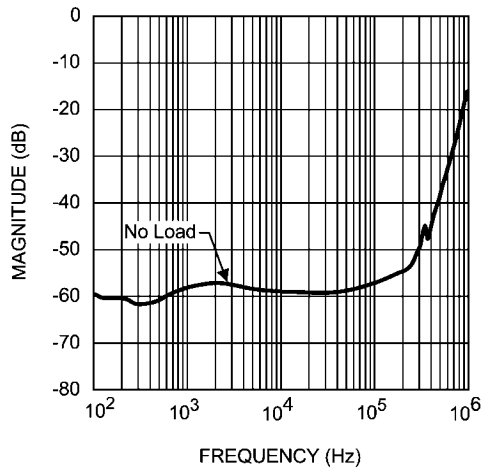
20172157

LDO2/4 PSRR



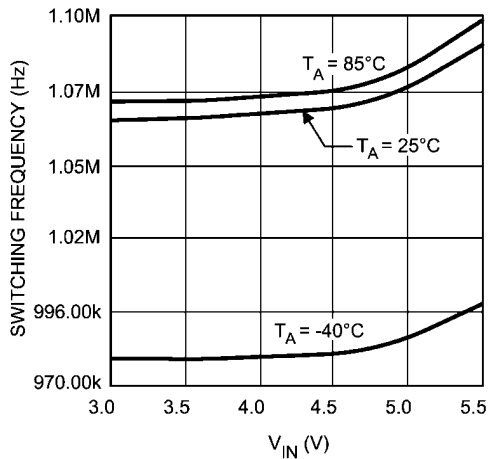
20172158

LDO3 PSRR



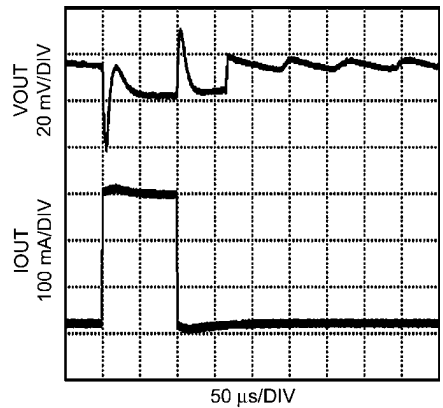
20172159

Switching Frequency vs. V_{IN}



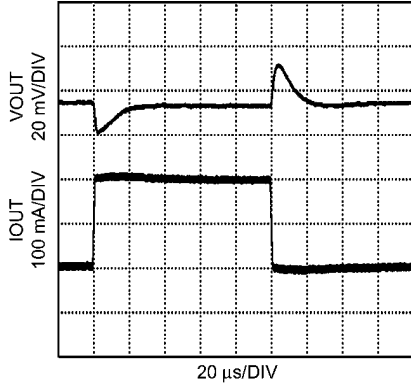
20172110

Load Transient Response
AVS/DVS Switcher, Automatic PWM/PFM Transition

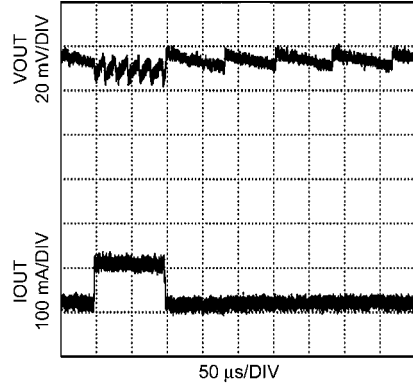


20172113

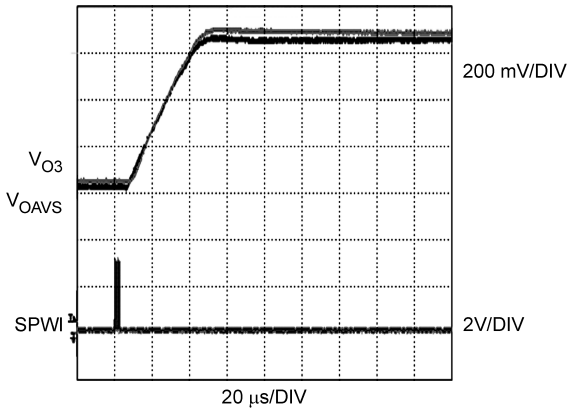
**Load Transient Response
AVS/DVS Switcher, PWM only**



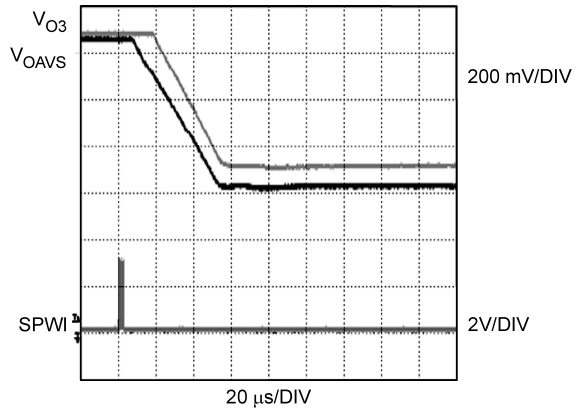
**Load Transient Response
AVS/DVS Switcher, PFM only**



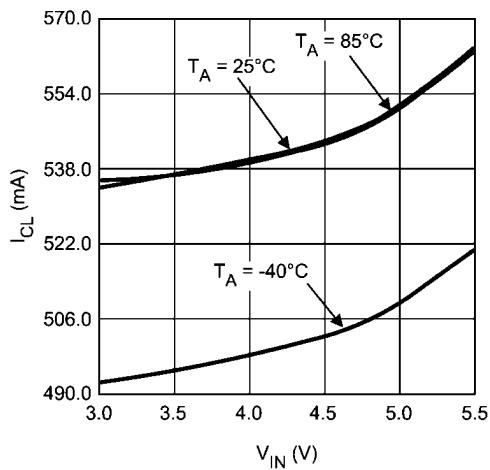
**V_{OUT} Transient Response
Min to Max Transient**



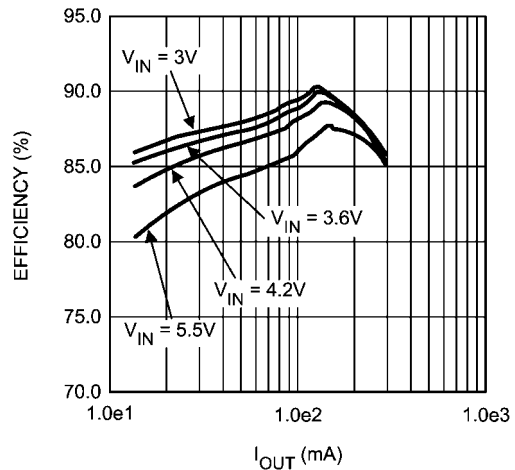
**V_{OUT} Transient Response
Max to Min Transient**

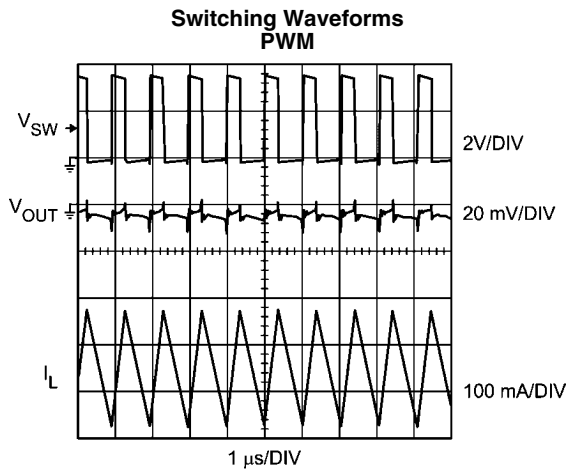


Switch Current Limit vs. V_{IN}

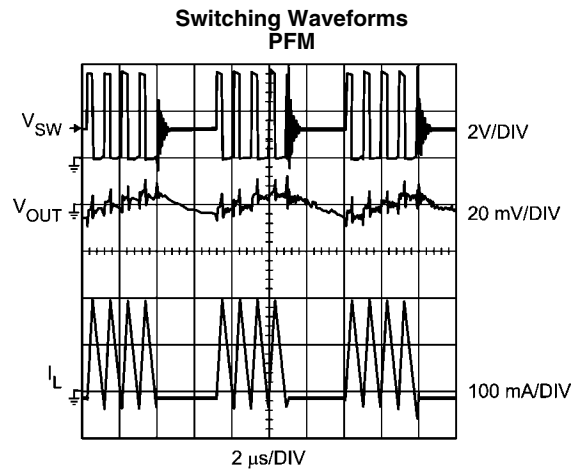


Efficiency vs. Load (Switcher)





20172120



20172121

LP5551 PWI Register Map

The PWI standard supports sixteen 8-bit registers on the PWI slave. The table below summarizes these registers and shows default register bit values after reset. The following sub-sections provide additional detail on the use of each individual register.

Summary

Register Address	Register Name	Register Usage	Type	Reset Default Value								
				7	6	5	4	3	2	1	0	
0x0	R0	Core voltage	R/W	0	1	1	1	1	1	1	1	1
0x1	R1	Unused	R/W	-	-	-	-	-	-	-	-	-
0x2	R2	Memory retention voltage	R/W	0	1	1	0	0	-	-	-	-
0x3	R3	Status register	R/O	0	0	0	0	1	1	1	1	1
0x4	R4	PWI version number	R/O	0	0	0	0	0	0	0	0	1
0x5	R5	N-well Bias	R/W	0	0	0	0	0	0	0	-	-
0x6	R6	P-well Bias	R/W	0	0	0	0	0	0	0	-	-
0x7	R7	LDO2 voltage	R/W	0	1	1	1	1	-	-	-	-
0x8	R8	LDO1 voltage	R/W	0	0	1	0	1	-	-	-	-
0x9	R9	PFM/PWM force	R/W	0	0	-	-	-	-	-	-	-
0xA	R10	SW_DVS voltage	R/W	-	-	-	-	-	-	-	-	-
0xB	R11	Enable Control	R/W	-	-	1	1	1	1	1	1	1
0xC	R12	LDO 4 voltage	R/W	0	1	1	1	1	-	-	-	-
0xD	R13	GPO Control	R/W	0	0	0	0	0	0	0	0	0
0xE	R14	Reserved	R/W	-	-	-	-	-	-	-	-	-
0xF	R15	Reserved	R/W	-	-	-	-	-	-	-	-	-

R0 - Core Voltage Register

Address 0x0

Type R/W

Reset Default 8h'7F

Bit	Field Name	Description or Comment	
7	Sign	This bit is fixed to '0'. Reading this bit will result in a '0'. Any data written into this bit position using the Register Write command is ignored.	
6:0	Voltage	Core voltage value. Default value is in bold .	
		Voltage Data Code [7:0]	Voltage Value (V)
		7h'00	0.6
		7h'xx	Linear scaling
		7h'7f	1.2 (default)

R1 - Unused Register

Address 0x1

Type R/W

Reset Default 8h'00

Bit	Field Name	Description or Comment
7:0	Unused	Write transactions to this register are ignored. Read transactions will return a "No Response Frame." A no response frame contains all zeros (see PWI 1.0 specification).

R2 – VO3 Voltage Register (Memory Retention Voltage)

Address 0x2

Type R/W

Reset Default 8h'60

Bit	Field Name	Description or Comment	
7	Sign	This bit is fixed to '0'. Reading this bit will result in a '0'. Any data written into this bit position using the Register Write command is ignored.	
6:3	Voltage	Fixed voltage value. A code of all ones indicates maximum voltage while a code of all zero indicates minimum voltage. Default value is in bold .	
		Voltage Data Code [6:3]	Voltage Value (volts)
		4h'0	0.6
		4h'1	0.65
		4h'2	0.7
		4h'3	0.75
		4h'4	0.8
		4h'5	0.85
		4h'6	0.9
		4h'7	0.95
		4h'8	1
		4h'9	1.05
		4h'A	1.1
		4h'B	1.15
		4h'C	1.20 (default)
		4h'D	1.25
4h'E	1.3		
4h'F	1.35		
2:0	Unused	These bits are fixed to '0'. Reading these bits will result in a '000'. Any data written into these bits using the Register Write command is ignored.	

R3 - Status Register

Address 0x3

Type Read Only

Reset Default 8h'0F

Bit	Field Name	Description or Comment
7	Reserved	Reserved, read returns 0
6	Reserved	Reserved, read returns 0
5	User Bit	Unused, read returns 0
4	User Bit	Unused, read returns 0
3	Fixed OK	Unused, read returns 1
2	IO OK	Unused, read returns 1
1	Memory OK	Unused, read returns 1
0	Core OK	Unused, read returns 1

R4 - PWI Version Number Register

Address 0x4

Type Read Only

Reset Default 8h'01

Bit	Field Name	Description or Comment
7:0	Version	Read transaction will return 8h'01 indicating PWI 1.0 specification. Write transactions to this register are ignored.

R5 - N-Well Bias Register

Address 0x5

Type R/W

Reset Default 8h'00

Bit	Field Name	Description or Comment		
7	Sign	1: Negative offset 0: Positive offset		
6:2	Voltage	Sign Data Code [7]	Voltage Data Code [6:2]	Voltage Offset from core voltage
		0	5h'19 – 5h'1f	1 V
			5h'01 – 5h'18	0.042 - 1 V, 0.042 V steps
			5h'00	Active clamp to SW_AVS (default)
		1	5h'00	0V
5h'01 – 5h'0f	-0.021 – -0.315V, -0.021 V steps			
5h'10 – 5h'1f	-0.315 V			
0:1	Unused			

R6 - P-Well Bias Register

Address 0x6

Type R/W

Reset Default 8h'00

Bit	Field Name	Description or Comment		
7	Sign	1: Negative offset 0: Positive offset		
6:2	Voltage	Sign Data Code [7]	Voltage Data Code [6:2]	Voltage Offset from ground
		0	5h'10 – 5h'1f	0.3 V
			5h'01 – 5h'0f	0.021 – 0.3V, 0.021 V steps
			5h'00	Active clamp to ground (default)
		1	5h'00	0 V
5h'01 – 5h'18	-0.042 - -1 V, -0.042 V steps			
		5h'19 – 5h'1f	-1 V	
0:1	Unused			

R7 – VO2 Voltage Register (I/O Voltage)

Address 0x7

Type R/W

Reset Default 8h'78

Bit	Field Name	Description or Comment	
7	Sign	This bit is fixed to '0'. Reading this bit will result in a '0'. Any data written into this bit position using the Register Write command is ignored.	
6:3	Voltage	Fixed voltage value. A code of all ones indicates maximum voltage while a code of all zero indicates minimum voltage. Default value is in bold.	
		Voltage Data Code [6:3]	Voltage Value (volts)
		4h'0	1.5
		4h'1	1.5
		4h'2	1.5
		4h'3	1.5
		4h'4	1.6
		4h'5	1.7
		4h'6	1.8
		4h'7	1.9
		4h'8	2
		4h'9	2.1
		4h'A	2.2
		4h'B	2.3
		4h'C	2.5
		4h'D	2.8
4h'E	3		
	4h'F	3.3 (default)	
2:0	Unused	These bits are fixed to '0'. Reading these bits will result in a '000'. Any data written into these bits using the Register Write command is ignored.	

R8 – VO1 Voltage Register (PLL/Fixed Voltage)

Address 0x8

Type R/W

Reset Default 8h'28

Bit	Field Name	Description or Comment	
7	Sign	This bit is fixed to '0'. Reading this bit will result in a '0'. Any data written into this bit position using the Register Write command is ignored.	
6:3	Voltage	Fixed voltage value. A code of all ones indicates maximum voltage while a code of all zero indicates minimum voltage. Default value is in bold.	
		Voltage Data Code [6:3]	Voltage Value (volts)
		4h'0	0.7
		4h'1	0.8
		4h'2	0.9
		4h'3	1
		4h'4	1.1
		4h'5	1.2 (default)
		4h'6	1.3
		4h'7	1.4
		4h'8	1.5
		4h'9	1.6
		4h'A	1.7
		4h'B	1.8
4h'C	1.9		
4h'D	2		
4h'E	2.1		
4h'F	2.2		
2:0	Unused	These bits are fixed to '0'. Reading these bits will result in a 3b'000. Any data written into these bits using the Register Write command is ignored.	

R9– PFM/PWM Force Register

Address 0x9

Type R/W

Reset Default 8h'00

Bit	Field Name	Description or Comment		
7:4	Unused	These bits are fixed to '0'. Reading these bits will result in a '000000'. Any data written into these bits using the Register Write command is ignored.		
3:2	AVS PFM/ PWM Force	PFM Force (bit 3)	PWM Force (bit 2)	
		Automatic Transition	0	0
		Automatic Transition	1	1
		Forced PFM Mode	1	0
		Forced PWM Mode	0	1
1:0	DVS PFM/ PWM Force	PFM Force (bit 1)	PWM Force (bit 0)	
		Automatic Transition	0	0
		Automatic Transition	1	1
		Forced PFM Mode	1	0
		Forced PWM Mode	0	1

R10 – SW_DVS Voltage Register

Address 0xA

Type R/W

Reset Default 8h'7F

Bit	Field Name	Description or Comment	
7	Sign	This bit is fixed to '0'. Reading this bit will result in a '0'. Any data written into this bit position using the Register Write command is ignored.	
6:0	Voltage	DVS voltage value. Default value is in bold.	
		Voltage Data Code [6:0]	Voltage Value (V)
		7h'00	0.6
		7h'xx	Linear scaling
	7h'7f	1.2 (default)	

R11 – Enable Control Register

Address 0xB

Type R/W

Reset Default 8h'3F

Bit	Field Name	Description or Comment
7:6	Unused	
5	R10 Enable (DVS Switcher)	1: DVS switching regulator is enabled
		0: DVS switching is disabled
4	R9 Enable (LDO 4)	1: LDO 4 regulator is enabled
		0: LDO 4 regulator is disabled
3	R8 Enable (LDO 1)	1: LDO 1 regulator is enabled
		0: LDO 1 regulator is disabled
2	R6 Enable (P-Well bias)	1: P-Well bias is enabled
		0: P-Well bias is clamped to ground <which ground?>
1	R5 Enable (N-Well bias)	1: N-Well bias is enabled
		0: N-Well bias tracks register R0 (AVS switcher voltage)
0	R2 Enable (Memory Retention)	1: Memory Retention regulator is enabled
		0: Memory Retention regulator is disabled

R12 – LDO4 Voltage Register

Address 0xC

Type R/W

Reset Default 8h'78

Bit	Field Name	Description or Comment	
7	Sign	This bit is fixed to '0'. Reading this bit will result in a '0'. Any data written into this bit position using the Register Write command is ignored.	
6:3	Voltage	Fixed voltage value. A code of all ones indicates maximum voltage while a code of all zero indicates minimum voltage. Default value is in bold.	
		Voltage Data Code [6:3]	Voltage Value (volts)
		4h'0	1.5
		4h'1	1.5
		4h'2	1.5
		4h'3	1.5
		4h'4	1.6
		4h'5	1.7
		4h'6	1.8
		4h'7	1.9
		4h'8	2
		4h'9	2.1
		4h'A	2.2
		4h'B	2.3
		4h'C	2.5
4h'D	2.8		
4h'E	3		
4h'F	3.3 (default)		
2:0	Unused		

R13 – GPO Control

Address 0xD

Type R/W

Reset Default 8h'00

Bit	Field Name	Description or Comment		
7:6	Unused			
5:4	P-Well Sink Current Control	These bits set the maximum sink current capability for the P-Well regulator		
		bit 5	bit 4	
		Nominal	0	0
		36 uA	0	1
		52 uA	1	0
	80 uA	1	1	
3	GPO_3 control	Drives high to V_{DD_D}		
2	GPO_2 control	Drives high to V_{DD_D}		
1	GPO_1 control	Drives high to V_{DD_D}		
0	GPO_0 control	Drives high to V_{DD_D}		

R14 – Reserved

Address 0xE

Type R/W

Reset Default 8h'00

Bit	Field Name	Description or Comment
7:0	Unused	Write transactions to this register are ignored. Read transactions will return a "No Response Frame." A no response frame contains all zeros (see PWI 1.0 specification) frame.

R15 – Manufacturer Register

Type R/W

Reset Default 8h'00

Address 0xF

Bit	Field Name	Description or Comment
7:0	Reserved	Do not write to this register

Operation Description

DEVICE INFORMATION

The LP5551 is a PowerWise Interface (PWI) compliant power management unit (PMU) for application or baseband processors in mobile phones or other portable equipment. It operates cooperatively with processors using National Semiconductor's Advanced Power Controller (APC) to provide Adaptive or Dynamic Voltage Scaling (AVS, DVS) which drastically improves processor efficiencies compared to conventional power delivery methods. The LP5551 consists of a high efficiency switching DC/DC buck converter to supply the AVS or DVS voltage domain, three LDOs for supplying the logic, PLL, and memory, and PWI registers and logic.

OPERATION STATE DIAGRAM

The LP5551 has four operating states: Start-up, Active, Sleep and Standby.

The Start-up state is the default state after reset. All regulators are off and PWROK output is '0'. The device will power up when the external enable-input is pulled high. After the power-up sequence LP5551 enters the Active state.

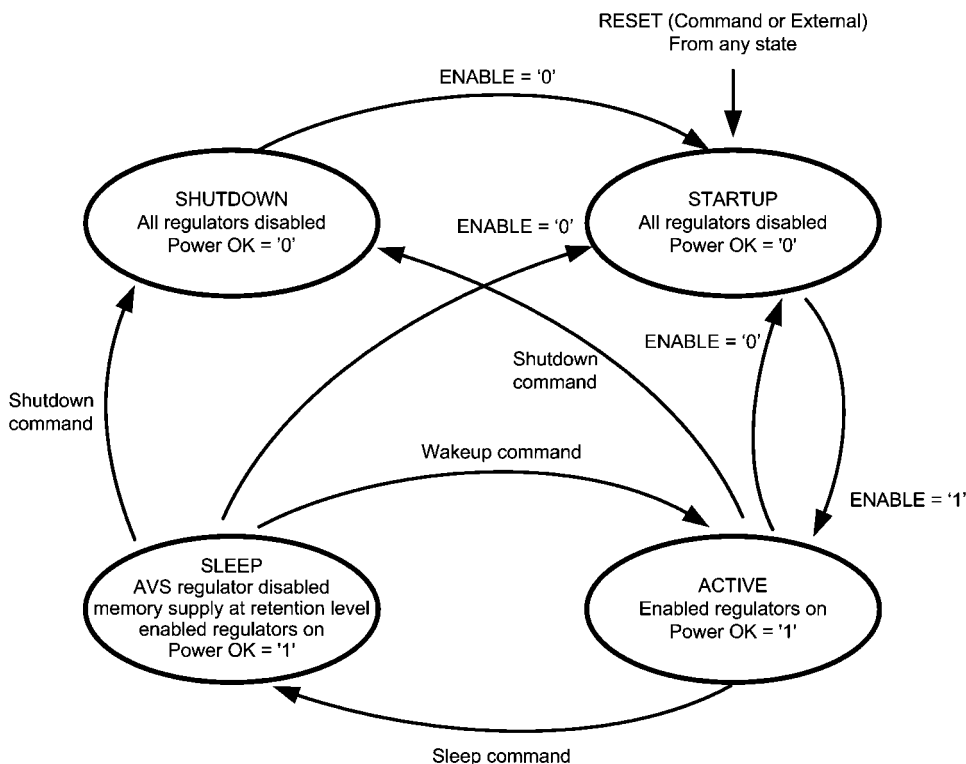
In the Active state all regulators are on and PWROK-output is '1'. Immediately after Start-up the output voltages are at

their default levels. LP5551 can be turned off by supplying the Shutdown command over PWI, or by setting ENABLE and/or RESETN to '0'. The LP5551 can be switched to the Sleep state by issuing the Sleep command.

In the Sleep state the core voltage regulator is off, but the PWROK output is still '1'. The memory voltage regulator (VO3) provides the programmed memory retention voltage. LDO1 and LDO2 are on. The LP5551 can be activated from the Sleep state by giving the Wakeup command. This resumes the last programmed Active state configuration. The device can also be switched off by giving the Shutdown command, or by setting ENABLE and/or RESETN to '0'.

In the Shutdown-state all output voltages are '0', and PWROK-signal is '0' as well. The LP5551 can exit the Shutdown-state if either ENABLE or RESETN is '0'. In either case the device moves to the Start-up state. See *Figure 8*.

Figure 6 shows the LP5551 state diagram. The figure assumes that supply voltage to the regulator IC is in the valid range.



20172145

FIGURE 6. LP5551 State Diagram

VOLTAGE SCALING

The LP5551 is designed to be used in a voltage scaling system to lower the power dissipation of baseband or application processors in mobile phones or other portable equipment. By scaling supply voltage with the clock frequency of a processor, dramatic power savings can be achieved. Two types of voltage scaling are supported, dynamic voltage scaling (DVS) and adaptive voltage scaling (AVS). DVS systems switch between pre-characterized voltages which are paired to clock frequencies used for frequency scaling in the processor. AVS systems track the processor performance and optimize the supply voltage to the required performance. AVS is a closed loop system that provides process and temperature compensation such that for any given processor, temperature, or clock frequency, the minimum supply voltage is delivered.

DIGITALLY CONTROLLED VOLTAGE SCALING

The LP5551 delivers fast, controlled voltage scaling transients with the help of a digital state machine. The state machine automatically optimizes the control loop in the LP5551 switching regulator to provide large signal transients with minimal over- and undershoot. This is an important characteristic for voltage scaling systems that rely on minimal over- and undershoot to set voltages as low as possible and save energy.

LARGE SIGNAL TRANSIENT RESPONSE

The switching converter in the LP5551 is designed to work in a voltage scaling system. This requires that the converter has a well controlled large signal transient response. Specifically, the under- and over-shoots have to be minimal or zero while maintaining settling times less than 100 usec. Typical response plots are shown in the Typical Performance section.

PowerWise™ INTERFACE

To support DVS and AVS, the LP5551 is programmable via the low power, 2 wire PowerWise Interface (PWI). This serial interface controls the various voltages and states of all the regulators in the LP5551. In particular, the switching regulator voltage can be controlled between 0.6V and 1.2V in 128 steps (linear scaling). This high resolution voltage control affords accurate temperature and process compensation in AVS. The LDO voltages can also be set, however they are not intended to be dynamic in operation. The LP5551 supports the full command set as described in PWI 1.0 specification:

- Core Voltage Adjust
- Reset
- Sleep
- Shutdown
- Wakeup
- Register Read
- Register Write
- Authenticate
- Synchronize

PWM/PFM OPERATION

The switching converter in the LP5551 has two modes of operation: pulse width modulation (PWM) and pulse frequency

modulation (PFM). In PWM the converter switches at 1MHz. Each period can be split into two cycles. During the first cycle, the high-side switch is on and the low-side switch is off, therefore the inductor current is rising. In the second cycle, the high-side switch is off and the low-side switch is on causing the inductor current to decrease. The output ripple voltage is lowest in PWM mode *Figure 7*. As the load current decreases, the converter efficiency becomes worse due to the increased percentage of overhead current needed to operate in PWM mode. The LP5551 can operate in PFM mode to increase efficiency at low loads.

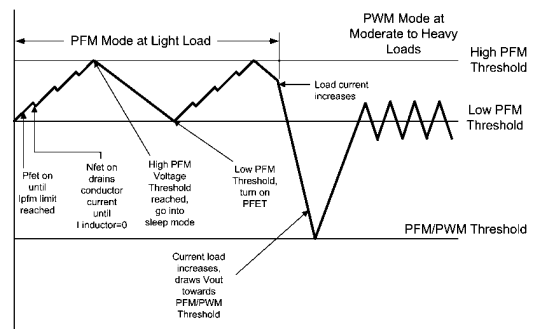
By default, the part will automatically transition into PFM mode when either of two conditions occurs for a duration of 32 or more clock cycles:

- A. The inductor valley current goes below 0 A
- B. The peak PMOS switch current drops below the I_{MODE} level:

$$I_{MODE} < 26 \text{ mA} + \frac{V_{IN}}{50\Omega} \text{ (typ)}$$

During PFM operation, the converter positions the output voltage slightly higher than the nominal output voltage during PWM operation, allowing additional headroom for voltage drop during a load transient from light to heavy load. The PFM comparators sense the output voltage via the feedback pin and control the switching of the output FETs such that the output voltage ramps between 0.8% and 1.6% (typ) above the nominal PWM output voltage. If the output voltage is below the 'high' PFM comparator threshold, the PMOS power switch is turned on. It remains on until the output voltage exceeds the 'high' PFM threshold or the peak current exceeds the I_{PFM} level set for PFM mode. The peak current in PFM mode is:

$$I_{PFM} = 117 \text{ mA} + \frac{V_{IN}}{64\Omega} \text{ (typ)}$$



20172103

FIGURE 7. Operation in PFM Mode and Transfer to PWM Mode

Application Information

PWM/PFM FORCE REGISTER (R9)

By default, the LP5551 automatically transitions between PFM and PWM to optimize efficiency. The PWM/PFM force register (R9) provides the option to override the automatic transition and force PFM or PWM operation (see R9 – PWM/PFM Force Register declaration). Note that if the operating mode of the regulator is forced to be PFM then the switch current limit is reduced to 100 mA (50 mA average load current).

EN/RESETN

The LP5551 can be shutdown via the ENABLE or RESETN pins, or by issuing a shutdown command from PWI. To disable the LP5551 via hardware (as opposed to the PWI shutdown command), pull the ENABLE and/or the RESETN pin (s) low. To enable the LP5551, both the ENABLE and the RESETN pins must be high. Once enabled, the LP5551 engages the power-up sequence and all voltages return to their default values.

When using PWI to issue a shutdown command, the PWI will be disabled along with the regulators in the LP5551. To re-enable the part, either the ENABLE, RESETN, or both pins must be toggled (high – low – high). The part will then enter the power-up sequence and all voltages will return to their default values. *Figure 8* summarizes the ENABLE/RESETN control.

The ENABLE and RESETN pins provide flexibility for system control. In larger systems such as a mobile phone, it can be advantageous to enable/disable a subsystem independently. For example, the LP5551 may be powering the applications processor in a mobile phone. The system controller can power down the applications processor via the ENABLE pin, but leave on other subsystems. When the phone is turned off or in a fault condition, the system controller can have a global reset command that is connected to all the subsystems (RESETN for the LP5551). However, if this type of control is not needed, the ENABLE and RESETN pins can be tied together and used as a single enable/disable pin.

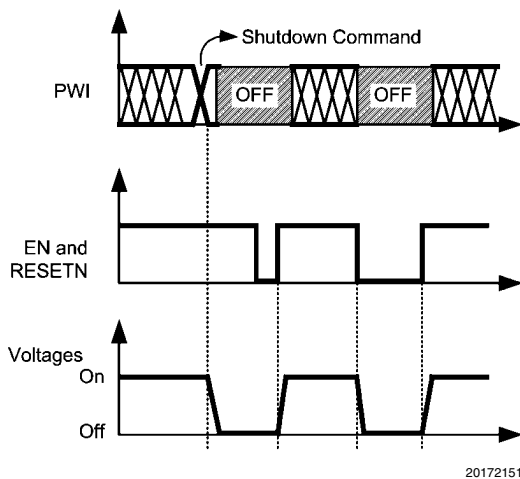


FIGURE 8. ENABLE and RESETN operation

INDUCTOR

A 4.7μH inductor should be used with the LP5551. The inductor should be rated to handle the peak load current plus the ripple current:

$$\begin{aligned} I_{L(\text{MAX})} &= I_{\text{LOAD}(\text{MAX})} + \Delta i_{L(\text{MAX})} \\ &= I_{\text{LOAD}(\text{MAX})} + \frac{D \times (V_{\text{IN}(\text{MAX})} - V_{\text{OUT}})}{2 \times L \times f_s} \\ &= I_{\text{LOAD}(\text{MAX})} + \frac{D \times (V_{\text{IN}(\text{MAX})} - V_{\text{OUT}})}{9.4} \text{ (A)}, \end{aligned} \quad \begin{cases} f_s = 1 \text{ MHz}, \\ L = 4.7 \mu\text{H} \end{cases}$$

CURRENT LIMIT

The switching converter in the LP5551 detects the peak inductor current and limits it for protection (see Electrical Characteristics table and/or Typical Performance section). To determine the average current limit from the peak current limit, the inductor size, input and output voltage, and switching frequency must be known. The LP5551 is designed to work with a 4.7μH inductor, so:

$$\begin{aligned} I_{\text{CL_AVG}} &= I_{\text{CL_PK}} - \Delta i_L \\ &= I_{\text{CL_PK}} - \frac{D \times (V_{\text{IN}} - V_{\text{OUT}})}{2 \times L \times f_s} \\ &\approx 0.4 - \frac{D \times (V_{\text{IN}} - V_{\text{OUT}})}{9.4}, \quad \begin{cases} f_s = 1 \text{ MHz}, \\ L = 4.7 \mu\text{H} \end{cases} \end{aligned}$$

INPUT CAPACITOR

The input capacitor to the switching converter supplies the AC switching current drawn from the switching action of the internal power FETs. The input current of a buck converter is discontinuous, so the ripple current supplied by the input capacitor is large. The input capacitor must be rated to handle this current:

$$I_{\text{RMS_CIN}} = I_{\text{OUT}} \frac{\sqrt{V_{\text{OUT}} \times (V_{\text{IN}} - V_{\text{OUT}})}}{V_{\text{IN}}} \text{ (A)}$$

The power dissipated in the input capacitor is given by:

$$P_{\text{D_CIN}} = I_{\text{RMS_CIN}}^2 \times R_{\text{ESR_CIN}} \text{ (W)}$$

The input capacitor must be rated to handle both the RMS current and the dissipated power. A 22 μF ceramic capacitor is recommended for the LP5551.

OUTPUT CAPACITOR

The switching converters in the LP5551 are designed to be used with a 22μF ceramic output capacitor. The dielectric should be X5R, X7R, or comparable material to maintain proper tolerances. The output capacitor of the switching converter absorbs the AC ripple current from the inductor and provides the initial response to a load transient. The ripple voltage at the output of the converter is the product of the ripple current flowing through the output capacitor and the impedance of the capacitor. The impedance of the capacitor can be dominated by capacitive, resistive, or inductive elements within the capacitor, depending on the frequency of the

ripple current. Ceramic capacitors are predominately used in portable systems and have very low ESR and remain capacitive up to high frequencies.

The switcher peak - to - peak output voltage ripple in steady state can be calculated as:

$$V_{PP} = I_{LPP} \left(R_{ESR} + \frac{1}{F_S \times 8 \times C_{OUT}} \right)$$

LDO INFORMATION

The LDOs included in the LP5551 provide static supply voltages for various functions in the processor. Use the following sections to determine loading and external components.

LDO LOADING CAPABILITY

The LDOs in the LP5551 can regulate to a variety of output voltages, depending on the need of the processor. These voltages can be programmed through the PWI. Table 1 summarizes the parameters of the LP5551 LDOs.

TABLE 1. LDO Parameters

	PWI Register	Output voltage range	Recommended Maximum Output Current	Dropout Voltage (typical)	Typical Load
LDO1	R8	0.6 V – 2.2 V	100 mA	200 mV	PLL
LDO2	R7	1.5 V – 3.3 V	250 mA	150 mV	I/O
LDO3	R2	V _{OSW} + 0.05 V ¹ 0.7 V – 1.35 V ²	50 mA	200 mV	Memory/Memory retention
LDO4	R12	1.5 V – 3.3 V	250 mA	150 mV	User defined

1. LDO3 tracks the switching converter output voltage (V_{OSW}) plus a 50 mV offset when the LP5551 is in active state.
2. LDO3 regulates at the set memory retention voltage when the LP5551 is in shutdown state.

LDO OUTPUT CAPACITOR

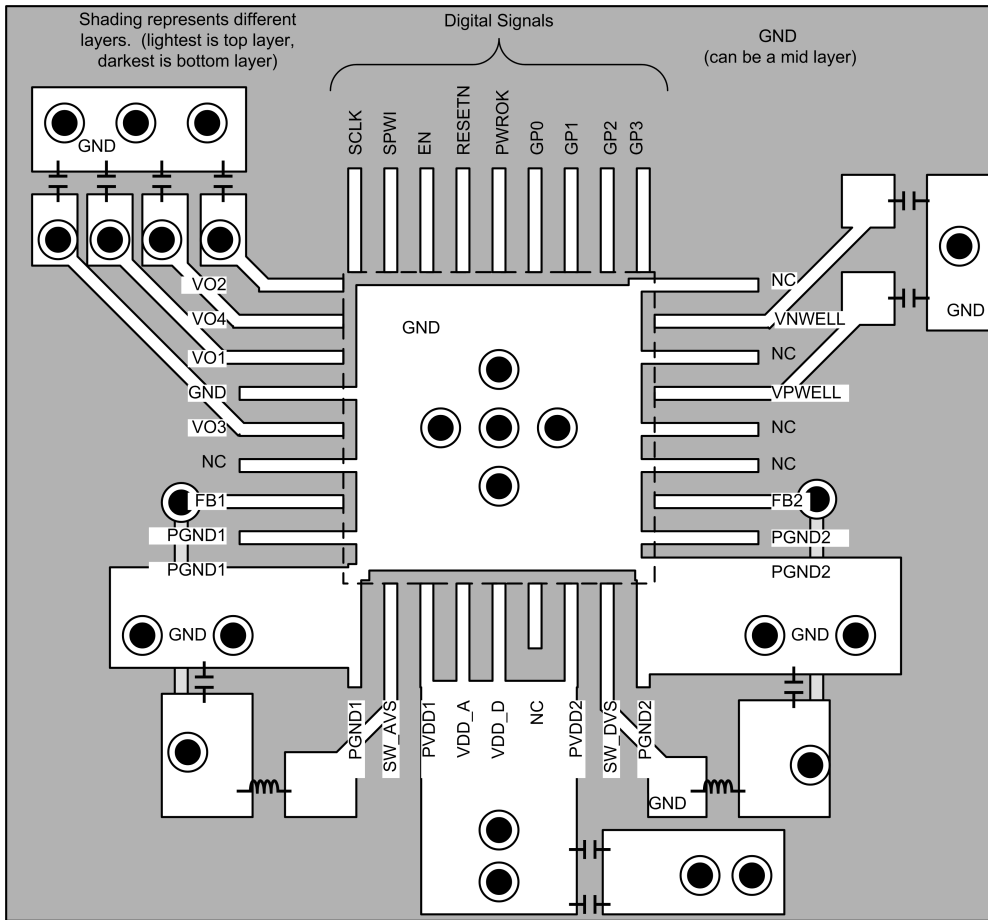
The output capacitor sets a low frequency pole and a high frequency zero in the control loop of an LDO. The capacitance and the equivalent series resistance (ESR) of the capacitor must be within a specified range to meet stability require-

ments. The LDOs in the LP5551 are designed to be used with ceramic output capacitors. The dielectric should be X5R, X7R, or comparable material to maintain proper tolerances. Use the following table to choose a suitable output capacitor:

TABLE 2. Output Capacitor Selection Guide

	Output Capacitance Range (Recommended Typical Value)	ESR range
LDO1	1 µF – 20 µF (2.2 µF)	5 mohm – 500 mohm
LDO2	2 µF – 20 µF (4.7 µF)	5 mohm – 500 mohm
LDO3	0.7 µF – 2.2 µF (1.0 µF)	5 mohm – 500 mohm
LDO4	2 µF – 20 µF (4.7 µF)	5 mohm – 500 mohm

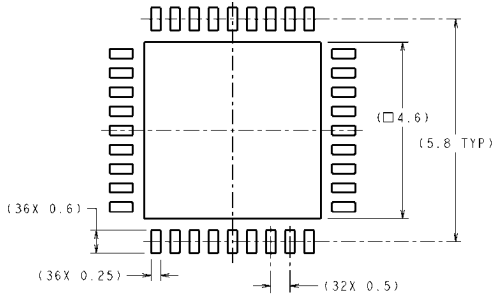
BOARD LAYOUT CONSIDERATIONS



20172161

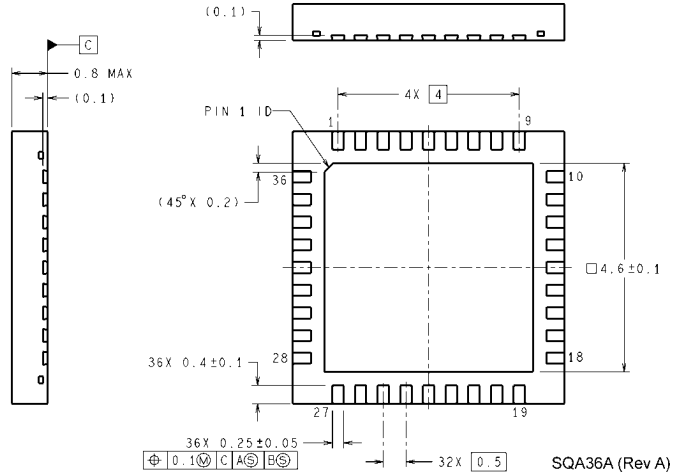
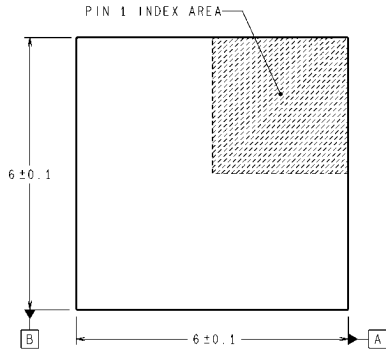
FIGURE 9. Board Layout Design Recommendations for the LP5551

Physical Dimensions inches (millimeters) unless otherwise noted



DIMENSIONS ARE IN MILLIMETERS
DIMENSIONS IN () FOR REFERENCE ONLY

RECOMMENDED LAND PATTERN



36-Lead LLP Package
NS Package Number SQA36A

SQA36A (Rev A)

Notes

LP5551

Notes

THE CONTENTS OF THIS DOCUMENT ARE PROVIDED IN CONNECTION WITH NATIONAL SEMICONDUCTOR CORPORATION ("NATIONAL") PRODUCTS. NATIONAL MAKES NO REPRESENTATIONS OR WARRANTIES WITH RESPECT TO THE ACCURACY OR COMPLETENESS OF THE CONTENTS OF THIS PUBLICATION AND RESERVES THE RIGHT TO MAKE CHANGES TO SPECIFICATIONS AND PRODUCT DESCRIPTIONS AT ANY TIME WITHOUT NOTICE. NO LICENSE, WHETHER EXPRESS, IMPLIED, ARISING BY ESTOPPEL OR OTHERWISE, TO ANY INTELLECTUAL PROPERTY RIGHTS IS GRANTED BY THIS DOCUMENT.

TESTING AND OTHER QUALITY CONTROLS ARE USED TO THE EXTENT NATIONAL DEEMS NECESSARY TO SUPPORT NATIONAL'S PRODUCT WARRANTY. EXCEPT WHERE MANDATED BY GOVERNMENT REQUIREMENTS, TESTING OF ALL PARAMETERS OF EACH PRODUCT IS NOT NECESSARILY PERFORMED. NATIONAL ASSUMES NO LIABILITY FOR APPLICATIONS ASSISTANCE OR BUYER PRODUCT DESIGN. BUYERS ARE RESPONSIBLE FOR THEIR PRODUCTS AND APPLICATIONS USING NATIONAL COMPONENTS. PRIOR TO USING OR DISTRIBUTING ANY PRODUCTS THAT INCLUDE NATIONAL COMPONENTS, BUYERS SHOULD PROVIDE ADEQUATE DESIGN, TESTING AND OPERATING SAFEGUARDS.

EXCEPT AS PROVIDED IN NATIONAL'S TERMS AND CONDITIONS OF SALE FOR SUCH PRODUCTS, NATIONAL ASSUMES NO LIABILITY WHATSOEVER, AND NATIONAL DISCLAIMS ANY EXPRESS OR IMPLIED WARRANTY RELATING TO THE SALE AND/OR USE OF NATIONAL PRODUCTS INCLUDING LIABILITY OR WARRANTIES RELATING TO FITNESS FOR A PARTICULAR PURPOSE, MERCHANTABILITY, OR INFRINGEMENT OF ANY PATENT, COPYRIGHT OR OTHER INTELLECTUAL PROPERTY RIGHT.

LIFE SUPPORT POLICY

NATIONAL'S PRODUCTS ARE NOT AUTHORIZED FOR USE AS CRITICAL COMPONENTS IN LIFE SUPPORT DEVICES OR SYSTEMS WITHOUT THE EXPRESS PRIOR WRITTEN APPROVAL OF THE CHIEF EXECUTIVE OFFICER AND GENERAL COUNSEL OF NATIONAL SEMICONDUCTOR CORPORATION. As used herein:

Life support devices or systems are devices which (a) are intended for surgical implant into the body, or (b) support or sustain life and whose failure to perform when properly used in accordance with instructions for use provided in the labeling can be reasonably expected to result in a significant injury to the user. A critical component is any component in a life support device or system whose failure to perform can be reasonably expected to cause the failure of the life support device or system or to affect its safety or effectiveness.

National Semiconductor and the National Semiconductor logo are registered trademarks of National Semiconductor Corporation. All other brand or product names may be trademarks or registered trademarks of their respective holders.

Copyright© 2007 National Semiconductor Corporation

For the most current product information visit us at www.national.com



National Semiconductor Americas Customer Support Center
 Email: new.feedback@nsc.com
 Tel: 1-800-272-9959

National Semiconductor Europe Customer Support Center
 Fax: +49 (0) 180-530-85-86
 Email: europe.support@nsc.com
 Deutsch Tel: +49 (0) 69 9508 6208
 English Tel: +49 (0) 870 24 0 2171
 Français Tel: +33 (0) 1 41 91 8790

National Semiconductor Asia Pacific Customer Support Center
 Email: ap.support@nsc.com

National Semiconductor Japan Customer Support Center
 Fax: 81-3-5639-7507
 Email: jpn.feedback@nsc.com
 Tel: 81-3-5639-7560