

National Semiconductor is now part of  
Texas Instruments.

Search <http://www.ti.com/> for the latest technical  
information and details on our current products and services.

## LM4673 Boomer® Audio Power Amplifier Series

# Filterless, 2.65W, Mono, Class D Audio Power Amplifier

### General Description

The LM4673 is a single supply, high efficiency, 2.65W, mono, Class D audio amplifier. A low noise, filterless PWM architecture eliminates the output filter, reducing external component count, board area consumption, system cost, and simplifying design.

The LM4673 is designed to meet the demands of mobile phones and other portable communication devices. Operating on a single 5V supply, it is capable of driving a 4Ω speaker load at a continuous average output of 2.1W with less than 1% THD+N. Its flexible power supply requirements allow operation from 2.4V to 5.5V.

The LM4673 has high efficiency with speaker loads compared to a typical Class AB amplifier. With a 3.6V supply driving an 8Ω speaker, the IC's efficiency for a 100mW power level is 80%, reaching 88% at 400mW output power.

The LM4673 features a low-power consumption shutdown mode. Shutdown may be enabled by driving the Shutdown pin to a logic low (GND).

The gain of the LM4673 is externally configurable which allows independent gain control from multiple sources by summing the signals. Output short circuit and thermal overload protection prevent the device from damage during fault conditions.

### Key Specifications

■	Efficiency at 3.6V, 400mW into 8Ω speaker	88% (typ)
■	Efficiency at 3.6V, 100mW into 8Ω speaker	80% (typ)
■	Efficiency at 5V, 1W into 8Ω speaker	86% (typ)
■	Quiescent current, 3.6V supply	2.1mA (typ)
■	Total shutdown power supply current	0.01μA (typ)
■	Single supply range	2.4V to 5.5V
■	PSRR, f = 217Hz	78dB

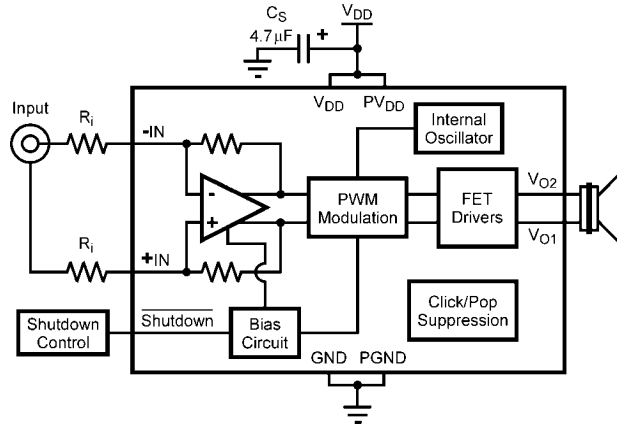
### Features

- Mono Class D Operation
- No output filter required for inductive loads
- Externally configurable gain
- Very fast turn on time: 17μs (typ)
- Minimum external components
- "Click and pop" suppression circuitry
- Micro-power shutdown mode
- Available in space-saving 0.4mm pitch micro SMD and LLP™ packages

### Applications

- Mobile phones
- PDAs
- Portable electronic devices

# Typical Application

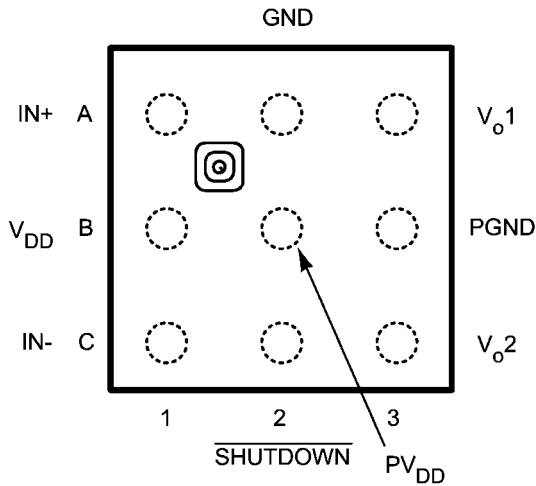


201522j3

**FIGURE 1. Typical Audio Amplifier Application Circuit**

# Connection Diagrams

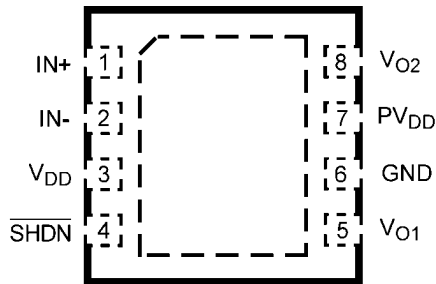
**9 Bump micro SMD Package**



20152236

**Top View**  
**Order Number LM4673TM**  
**See NS Package Number TMD09GGA**

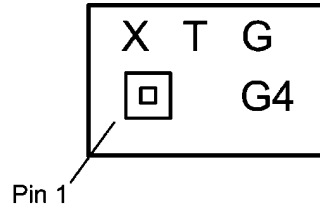
**Leadless Leadframe Package (LLP)**



20152201

**Top View**  
**Order Number LM4673SD**  
**See NS Package Number SDA08A**  
**Contact NSC Sales Office for Availability**

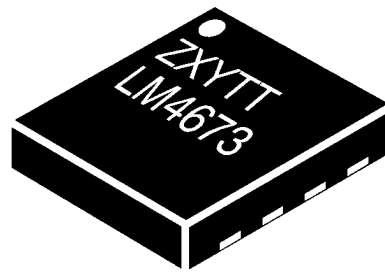
**micro SMD Marking**



20152257

**Top View**  
**X — Date Code**  
**T — Die Traceability**  
**G — Boomer Family**  
**G4 — LM4673TM**

**LLP Marking**



20152202

**Top View**  
**Z — Plant Code**  
**XY — Date Code**  
**TT — Die Traceability**  
**L4673 — LM4673SD**

**Absolute Maximum Ratings** (Notes 1, 2)

If Military/Aerospace specified devices are required, please contact the National Semiconductor Sales Office/Distributors for availability and specifications.

Supply Voltage (Note 1)	6.0V
Storage Temperature	-65°C to +150°C
Voltage at Any Input Pin	$V_{DD} + 0.3V \geq V \geq GND - 0.3V$
Power Dissipation (Note 3)	Internally Limited
ESD Susceptibility, all other pins (Note 4)	2.0kV
ESD Susceptibility (Note 5)	200V
Junction Temperature ( $T_{JMAX}$ )	150°C

Thermal Resistance

$\theta_{JA}$ (micro SMD)	99.1°C/W
$\theta_{JA}$ (LLP)	73°C/W

Soldering Information

See AN-1112 "microSMD Wafers Level Chip Scale Package."

**Operating Ratings** (Notes 1, 2)

Temperature Range

$$T_{MIN} \leq T_A \leq T_{MAX} \quad -40^\circ\text{C} \leq T_A \leq 85^\circ\text{C}$$

Supply Voltage

$$2.4V \leq V_{DD} \leq 5.5V$$

**Electrical Characteristics** (Notes 1, 2)

The following specifications apply for  $A_V = 2V/V$  ( $R_I = 150k\Omega$ ),  $R_L = 15\mu H + 8\Omega + 15\mu H$  unless otherwise specified. Limits apply for  $T_A = 25^\circ\text{C}$ .

Symbol	Parameter	Conditions	LM4673		Units (Limits)
			Typical	Limit	
			(Note 6)	(Notes 7, 8)	
$I_{V_{OS}}$	Differential Output Offset Voltage	$V_I = 0V$ , $A_V = 2V/V$ , $V_{DD} = 2.4V$ to $5.0V$	5		mV (max)
$I_{IH}$	Logic High Input Current	$V_{DD} = 5.0V$ , $V_I = 5.5V$	17	100	$\mu A$ (max)
$I_{IL}$	Logic Low Input Current	$V_{DD} = 5.0V$ , $V_I = -0.3V$	0.9	5	$\mu A$ (max)
$I_{DD}$	Quiescent Power Supply Current	$V_{IN} = 0V$ , No Load, $V_{DD} = 5.0V$	2.6	3.75	$\text{mA}$ (max)
		$V_{IN} = 0V$ , No Load, $V_{DD} = 3.6V$	2.1	2.9	$\text{mA}$
		$V_{IN} = 0V$ , No Load, $V_{DD} = 2.4V$	1.7	2.3	$\text{mA}$ (max)
		$V_{IN} = 0V$ , $R_L = 8\Omega$ , $V_{DD} = 5.0V$	2.6		
		$V_{IN} = 0V$ , $R_L = 8\Omega$ , $V_{DD} = 3.6V$	2.1		
$I_{SD}$	Shutdown Current	$V_{SHUTDOWN} = 0V$ $V_{DD} = 2.4V$ to $5.0V$	0.01	1	$\mu A$ (max)
$V_{SDIH}$	Shutdown voltage input high			1.4	V (min)
$V_{SDIL}$	Shutdown voltage input low			0.4	V (max)
$R_{OSD}$	Output Impedance	$V_{SHUTDOWN} = 0.4V$	100		$k\Omega$
$A_V$	Gain		$300k\Omega/R_I$	$270k\Omega/R_I$ $330k\Omega/R_I$	V/V (min) V/V (max)
$R_{SD}$	Resistance from Shutdown Pin to GND		300		$k\Omega$
$P_O$	Output Power	$R_L = 15\mu H + 4\Omega + 15\mu H$ THD = 10% (max) $f = 1\text{kHz}$ , 22kHz BW $V_{DD} = 5V$	2.65		W
		$V_{DD} = 3.6V$	1.3		W
		$V_{DD} = 2.5V$	550		mW
		$R_L = 15\mu H + 4\Omega + 15\mu H$ THD = 1% (max) $f = 1\text{kHz}$ , 22kHz BW $V_{DD} = 5V$	2.15		W
		$V_{DD} = 3.6V$	1.06		W
		$V_{DD} = 2.5V$	450		mW

Symbol	Parameter	Conditions	LM4673		Units (Limits)
			Typical	Limit	
			(Note 6)	(Notes 7, 8)	
P <sub>O</sub>	Output Power	R <sub>L</sub> = 15μH + 8Ω + 15μH THD = 10% (max) f = 1kHz, 22kHz BW			
		V <sub>DD</sub> = 5V	1.7		W
		V <sub>DD</sub> = 3.6V	870		mW
		V <sub>DD</sub> = 2.5V	350		mW
		R <sub>L</sub> = 15μH + 8Ω + 15μH THD = 1% (max) f = 1kHz, 22kHz BW			
		V <sub>DD</sub> = 5V	1.24		W
		V <sub>DD</sub> = 3.6V	650	600	mW
		V <sub>DD</sub> = 2.5V	300		mW
THD+N	Total Harmonic Distortion + Noise	V <sub>DD</sub> = 5V, P <sub>O</sub> = 0.1W, f = 1kHz	0.03		%
		V <sub>DD</sub> = 3.6V, P <sub>O</sub> = 0.1W, f = 1kHz	0.02		%
		V <sub>DD</sub> = 2.5V, P <sub>O</sub> = 0.1W, f = 1kHz	0.02		%
PSRR	Power Supply Rejection Ratio (Input Referred)	V <sub>Ripple</sub> = 200mV <sub>PP</sub> Sine, f <sub>Ripple</sub> = 217Hz, V <sub>DD</sub> = 3.6, 5V Inputs to AC GND, C <sub>1</sub> = 2μF	78		dB
		V <sub>Ripple</sub> = 200mV <sub>PP</sub> Sine, f <sub>Ripple</sub> = 1kHz, V <sub>DD</sub> = 3.6, 5V Inputs to AC GND, C <sub>1</sub> = 2μF	72		dB
SNR	Signal to Noise Ratio	V <sub>DD</sub> = 5V, P <sub>O</sub> = 1W <sub>RMS</sub>	97		dB
ε <sub>OUT</sub>	Output Noise (Input Referred)	V <sub>DD</sub> = 3.6V, f = 20Hz – 20kHz Inputs to AC GND, C <sub>1</sub> = 2μF No Weighting	30		μV <sub>RMS</sub>
		V <sub>DD</sub> = 3.6V, Inputs to AC GND C <sub>1</sub> = 2μF, A Weighted	23		μV <sub>RMS</sub>
CMRR	Common Mode Rejection Ratio (Input Referred)	V <sub>DD</sub> = 3.6V, V <sub>Ripple</sub> = 1V <sub>PP</sub> Sine f <sub>Ripple</sub> = 217Hz	70		dB
T <sub>WU</sub>	Wake-up Time	V <sub>DD</sub> = 3.6V	17		μs
T <sub>SD</sub>	Shutdown Time		140		μs
η	Efficiency	V <sub>DD</sub> = 3.6V, P <sub>OUT</sub> = 400mW R <sub>L</sub> = 8Ω	88		%
		V <sub>DD</sub> = 5V, P <sub>OUT</sub> = 1W R <sub>L</sub> = 8Ω	86		%

**Note 1:** All voltages are measured with respect to the ground pin, unless otherwise specified.

**Note 2:** *Absolute Maximum Ratings* indicate limits beyond which damage to the device may occur. *Operating Ratings* indicate conditions for which the device is functional, but do not guarantee specific performance limits. *Electrical Characteristics* state DC and AC electrical specifications under particular test conditions which guarantee specific performance limits. This assumes that the device is within the Operating Ratings. Specifications are not guaranteed for parameters where no limit is given, however, the typical value is a good indication of device performance.

**Note 3:** The maximum power dissipation must be derated at elevated temperatures and is dictated by  $T_{JMAX}$ ,  $\theta_{JA}$ , and the ambient temperature  $T_A$ . The maximum allowable power dissipation is  $P_{DMAX} = (T_{JMAX} - T_A) / \theta_{JA}$  or the number given in Absolute Maximum Ratings, whichever is lower. For the LM4673,  $T_{JMAX} = 150^\circ\text{C}$ . The typical  $\theta_{JA}$  is  $99.1^\circ\text{C/W}$  for the micro SMD package.

**Note 4:** Human body model, 100pF discharged through a 1.5k $\Omega$  resistor.

**Note 5:** Machine Model, 220pF – 240pF discharged through all pins.

**Note 6:** Typical specifications are specified at 25°C and represent the parametric norm.

**Note 7:** Tested limits are guaranteed to National's AOQL (Average Outgoing Quality Level).

**Note 8:** Datasheet min/max specification limits are guaranteed by design, test, or statistical analysis.

**Note 9:** Shutdown current is measured in a normal room environment. Exposure to direct sunlight will increase  $I_{SD}$  by a maximum of 2 $\mu\text{A}$ . The Shutdown pin should be driven as close as possible to GND for minimal shutdown current and to  $V_{DD}$  for the best THD performance in PLAY mode. See the **Application Information** section under SHUTDOWN FUNCTION for more information.

**Note 10:** The performance graphs were taken using the Audio Precision AUX-0025 Switching Amplifier measurement Filter in series with the LC filter on the demo board.

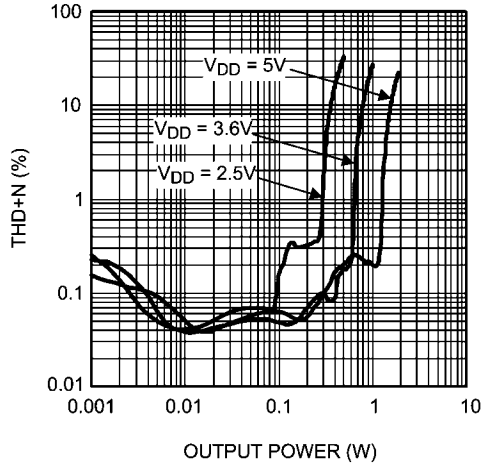
## External Components Description

(Figure 1)

Components		Functional Description
1.	$C_S$	Supply bypass capacitor which provides power supply filtering. Refer to the <b>Power Supply Bypassing</b> section for information concerning proper placement and selection of the supply bypass capacitor.
2.	$C_I$	Input AC coupling capacitor which blocks the DC voltage at the amplifier's input terminals.

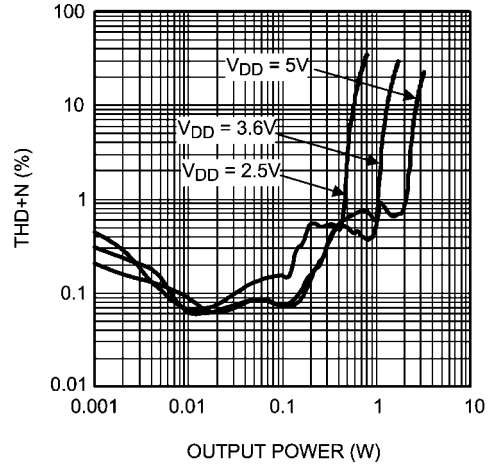
# Typical Performance Characteristics

**THD + N vs Output Power**  
 $f = 1\text{kHz}, R_L = 8\Omega$



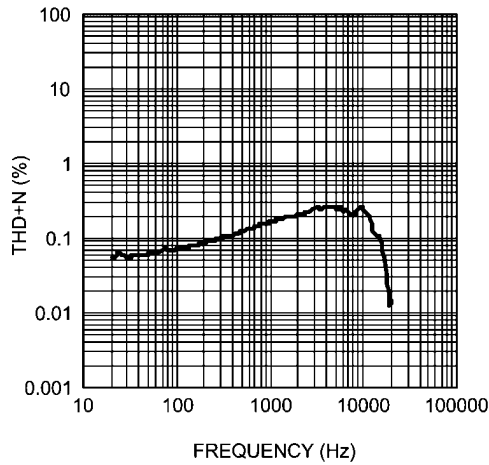
20152240

**THD + N vs Output Power**  
 $f = 1\text{kHz}, R_L = 4\Omega$



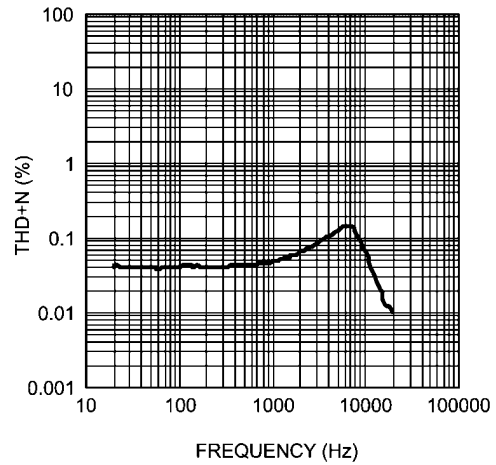
20152241

**THD + N vs Frequency**  
 $V_{DD} = 2.5\text{V}, P_{OUT} = 100\text{mW}, R_L = 8\Omega$



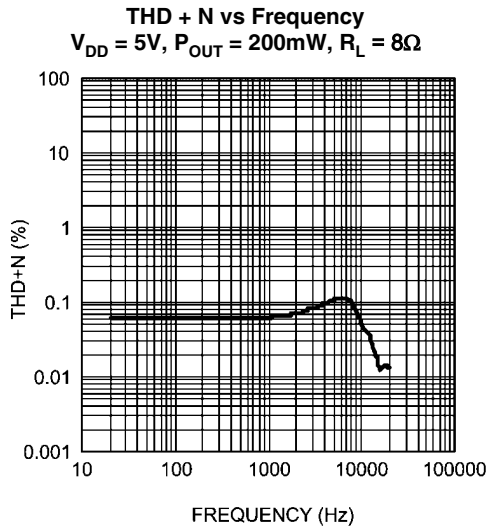
20152242

**THD + N vs Frequency**  
 $V_{DD} = 3.6\text{V}, P_{OUT} = 150\text{mW}, R_L = 8\Omega$

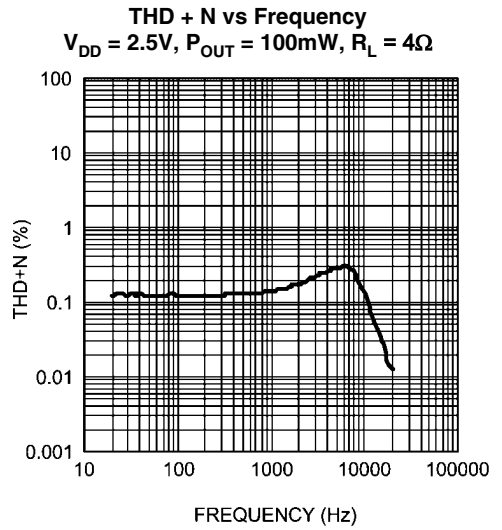


20152243

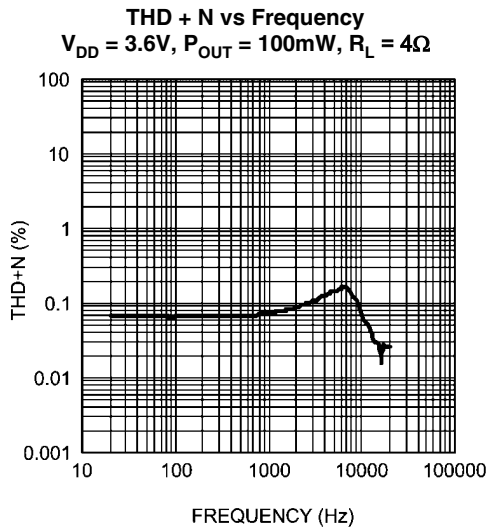




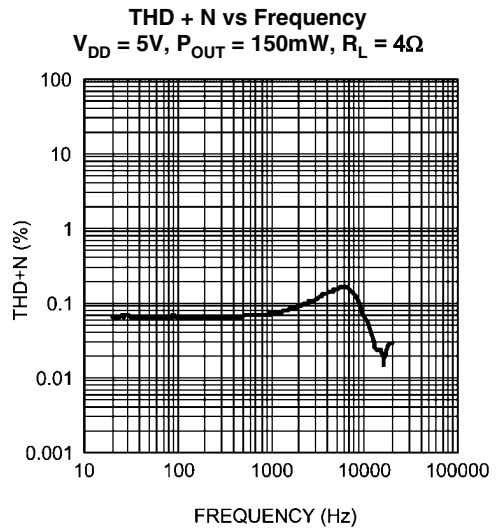
20152244



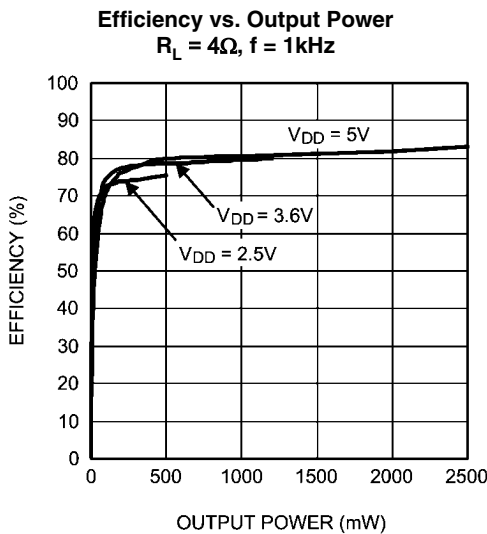
20152245



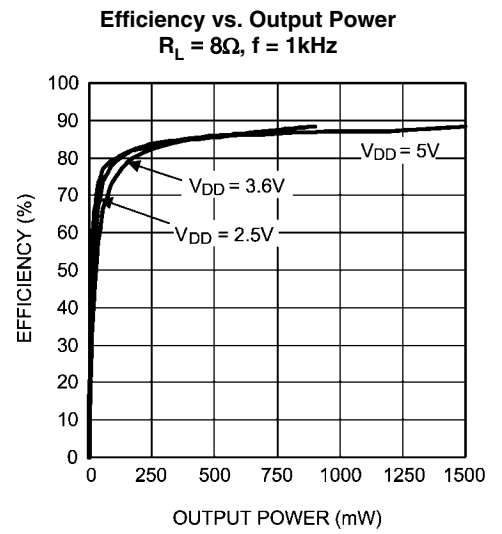
20152246



20152247

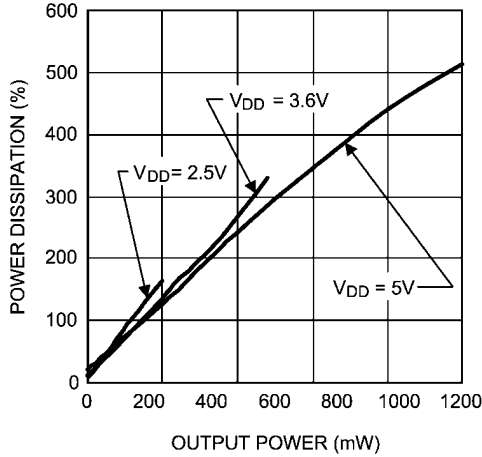


20152248



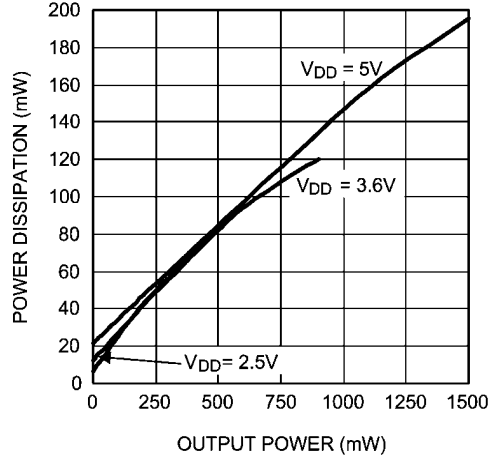
20152249

**Power Dissipation vs. Output Power**  
 $R_L = 4\Omega, f = 1\text{kHz}$



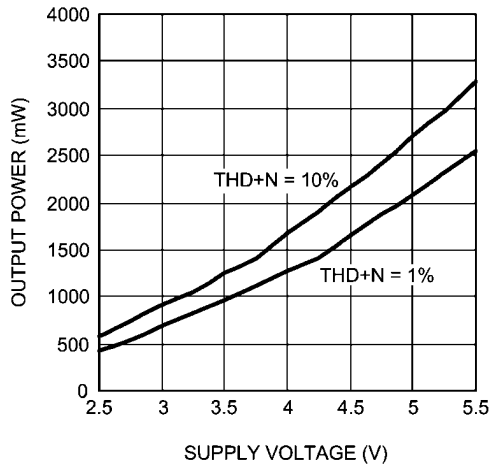
20152250

**Power Dissipation vs. Output Power**  
 $R_L = 8\Omega, f = 1\text{kHz}$



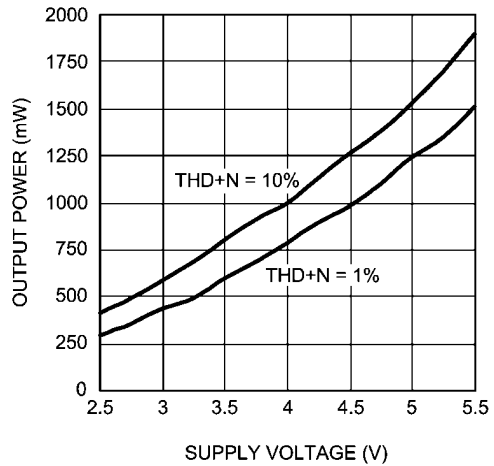
20152251

**Output Power vs. Supply Voltage**  
 $R_L = 4\Omega, f = 1\text{kHz}$



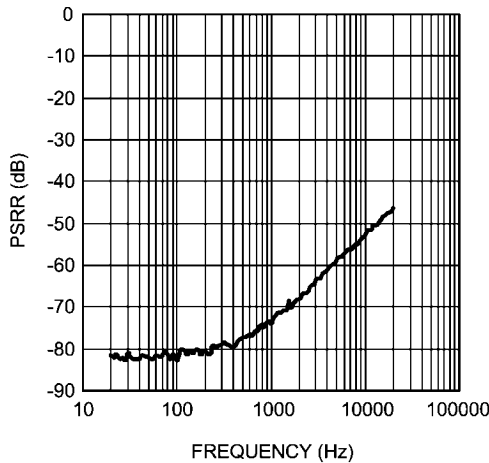
20152252

**Output Power vs. Supply Voltage**  
 $R_L = 8\Omega, f = 1\text{kHz}$



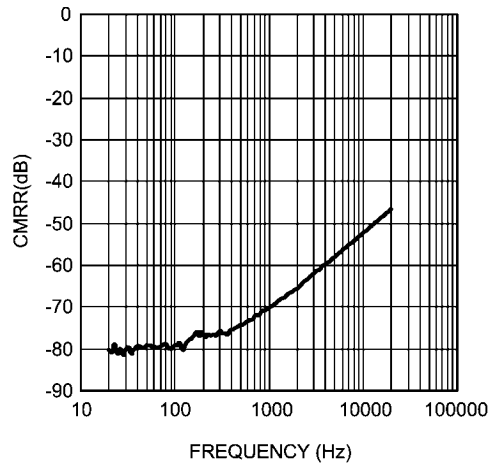
20152253

**PSRR vs. Frequency**  
 $V_{DD} = 3.6\text{V}, V_{\text{RIPPLE}} = 200\text{mV}_{\text{P-P}}, R_L = 8\Omega$



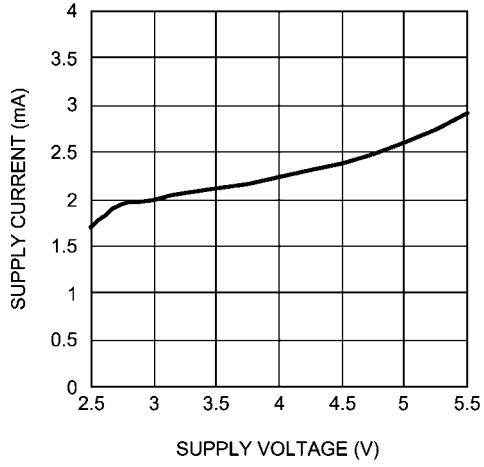
20152254

**CMRR vs. Frequency**  
 $V_{DD} = 3.6\text{V}, V_{\text{CM}} = 1\text{V}_{\text{P-P}}, R_L = 8\Omega$



20152255

Supply Current vs. Supply Voltage  
No Load



20152256

## Application Information

### GENERAL AMPLIFIER FUNCTION

The LM4673 features a filterless modulation scheme. The differential outputs of the device switch at 300kHz from  $V_{DD}$  to GND. When there is no input signal applied, the two outputs ( $V_{O1}$  and  $V_{O2}$ ) switch with a 50% duty cycle, with both outputs in phase. Because the outputs of the LM4673 are differential, the two signals cancel each other. This results in no net voltage across the speaker, thus there is no load current during an idle state, conserving power.

With an input signal applied, the duty cycle (pulse width) of the LM4673 outputs changes. For increasing output voltages, the duty cycle of  $V_{O1}$  increases, while the duty cycle of  $V_{O2}$  decreases. For decreasing output voltages, the converse occurs, the duty cycle of  $V_{O2}$  increases while the duty cycle of  $V_{O1}$  decreases. The difference between the two pulse widths yields the differential output voltage.

### POWER DISSIPATION AND EFFICIENCY

In general terms, efficiency is considered to be the ratio of useful work output divided by the total energy required to produce it with the difference being the power dissipated, typically, in the IC. The key here is "useful" work. For audio systems, the energy delivered in the audible bands is considered useful including the distortion products of the input signal. Sub-sonic (DC) and super-sonic components (>22kHz) are not useful. The difference between the power flowing from the power supply and the audio band power being transduced is dissipated in the LM4673 and in the transducer load. The amount of power dissipation in the LM4673 is very low. This is because the ON resistance of the switches used to form the output waveforms is typically less than  $0.25\Omega$ . This leaves only the transducer load as a potential "sink" for the small excess of input power over audio band output power. The LM4673 dissipates only a fraction of the excess power requiring no additional PCB area or copper plane to act as a heat sink.

### DIFFERENTIAL AMPLIFIER EXPLANATION

As logic supply voltages continue to shrink, designers are increasingly turning to differential analog signal handling to preserve signal to noise ratios with restricted voltage swing. The LM4673 is a fully differential amplifier that features differential input and output stages. A differential amplifier amplifies the difference between the two input signals. Traditional audio power amplifiers have typically offered only single-ended inputs resulting in a 6dB reduction in signal to noise ratio relative to differential inputs. The LM4673 also offers the possibility of DC input coupling which eliminates the two external AC coupling, DC blocking capacitors. The LM4673 can be used, however, as a single ended input amplifier while still retaining its fully differential benefits. In fact, completely unrelated signals may be placed on the input pins. The LM4673 simply amplifies the difference between the signals. A major benefit of a differential amplifier is the improved common mode rejection ratio (CMRR) over single input amplifiers. The common-mode rejection characteristic of the differential amplifier reduces sensitivity to ground offset related noise injection, especially important in high noise applications.

### PCB LAYOUT CONSIDERATIONS

As output power increases, interconnect resistance (PCB traces and wires) between the amplifier, load and power sup-

ply create a voltage drop. The voltage loss on the traces between the LM4673 and the load results in lower output power and decreased efficiency. Higher trace resistance between the supply and the LM4673 has the same effect as a poorly regulated supply, increased ripple on the supply line also reducing the peak output power. The effects of residual trace resistance increases as output current increases due to higher output power, decreased load impedance or both. To maintain the highest output voltage swing and corresponding peak output power, the PCB traces that connect the output pins to the load and the supply pins to the power supply should be as wide as possible to minimize trace resistance.

The use of power and ground planes will give the best THD +N performance. While reducing trace resistance, the use of power planes also creates parasitic capacitors that help to filter the power supply line.

The inductive nature of the transducer load can also result in overshoot on one or both edges, clamped by the parasitic diodes to GND and  $V_{DD}$  in each case. From an EMI standpoint, this is an aggressive waveform that can radiate or conduct to other components in the system and cause interference. It is essential to keep the power and output traces short and well shielded if possible. Use of ground planes, beads, and micro-strip layout techniques are all useful in preventing unwanted interference.

As the distance from the LM4673 and the speaker increase, the amount of EMI radiation will increase since the output wires or traces acting as antenna become more efficient with length. What is acceptable EMI is highly application specific. Ferrite chip inductors placed close to the LM4673 may be needed to reduce EMI radiation. The value of the ferrite chip is very application specific.

### POWER SUPPLY BYPASSING

As with any power amplifier, proper supply bypassing is critical for low noise performance and high power supply rejection ratio (PSRR). The capacitor ( $C_S$ ) location should be as close as possible to the LM4673. Typical applications employ a voltage regulator with a  $10\mu\text{F}$  and a  $0.1\mu\text{F}$  bypass capacitors that increase supply stability. These capacitors do not eliminate the need for bypassing on the supply pin of the LM4673. A  $4.7\mu\text{F}$  tantalum capacitor is recommended.

### SHUTDOWN FUNCTION

In order to reduce power consumption while not in use, the LM4673 contains shutdown circuitry that reduces current draw to less than  $0.01\mu\text{A}$ . The trigger point for shutdown is shown as a typical value in the Electrical Characteristics Tables and in the Shutdown Hysteresis Voltage graphs found in the **Typical Performance Characteristics** section. It is best to switch between ground and supply for minimum current usage while in the shutdown state. While the LM4673 may be disabled with shutdown voltages in between ground and supply, the idle current will be greater than the typical  $0.01\mu\text{A}$  value.

The LM4673 has an internal resistor connected between GND and Shutdown pins. The purpose of this resistor is to eliminate any unwanted state changes when the Shutdown pin is floating. The LM4673 will enter the shutdown state when the Shutdown pin is left floating or if not floating, when the shutdown voltage has crossed the threshold. To minimize the supply current while in the shutdown state, the Shutdown pin should be driven to GND or left floating. If the Shutdown pin is not driven to GND, the amount of additional resistor current

due to the internal shutdown resistor can be found by Equation (1) below.

$$(V_{SD} - GND) / 300k\Omega \quad (1)$$

With only a 0.5V difference, an additional 1.7 $\mu$ A of current will be drawn while in the shutdown state.

#### PROPER SELECTION OF EXTERNAL COMPONENTS

The gain of the LM4673 is set by the external resistors,  $R_i$  in Figure 1, The Gain is given by Equation (2) below. Best THD +N performance is achieved with a gain of 2V/V (6dB).

$$A_V = 2 * 150 k\Omega / R_i (V/V) \quad (2)$$

It is recommended that resistors with 1% tolerance or better be used to set the gain of the LM4673. The  $R_i$  resistors should be placed close to the input pins of the LM4673. Keeping the input traces close to each other and of the same length in a high noise environment will aid in noise rejection due to the good CMRR of the LM4673. Noise coupled onto input traces which are physically close to each other will be common mode and easily rejected by the LM4673.

Input capacitors may be needed for some applications or when the source is single-ended (see Figures 3, 5). Input capacitors are needed to block any DC voltage at the source so that the DC voltage seen between the input terminals of the LM4673 is 0V. Input capacitors create a high-pass filter with the input resistors,  $R_i$ . The -3dB point of the high-pass filter is found using Equation (3) below.

$$f_C = 1 / (2\pi R_i C_i) (Hz) \quad (3)$$

The input capacitors may also be used to remove low audio frequencies. Small speakers cannot reproduce low bass frequencies so filtering may be desired. When the LM4673 is using a single-ended source, power supply noise on the ground is seen as an input signal by the +IN input pin that is capacitor coupled to ground (See Figures 5 – 7). Setting the high-pass filter point above the power supply noise frequencies, 217Hz in a GSM phone, for example, will filter out this noise so it is not amplified and heard on the output. Capacitors with a tolerance of 10% or better are recommended for impedance matching.

#### DIFFERENTIAL CIRCUIT CONFIGURATIONS

The LM4673 can be used in many different circuit configurations. The simplest and best performing is the DC coupled,

differential input configuration shown in Figure 2. Equation (2) above is used to determine the value of the  $R_i$  resistors for a desired gain.

Input capacitors can be used in a differential configuration as shown in Figure 3. Equation (3) above is used to determine the value of the  $C_i$  capacitors for a desired frequency response due to the high-pass filter created by  $C_i$  and  $R_i$ . Equation (2) above is used to determine the value of the  $R_i$  resistors for a desired gain.

The LM4673 can be used to amplify more than one audio source. Figure 4 shows a dual differential input configuration. The gain for each input can be independently set for maximum design flexibility using the  $R_i$  resistors for each input and Equation (2). Input capacitors can be used with one or more sources as well to have different frequency responses depending on the source or if a DC voltage needs to be blocked from a source.

#### SINGLE-ENDED CIRCUIT CONFIGURATIONS

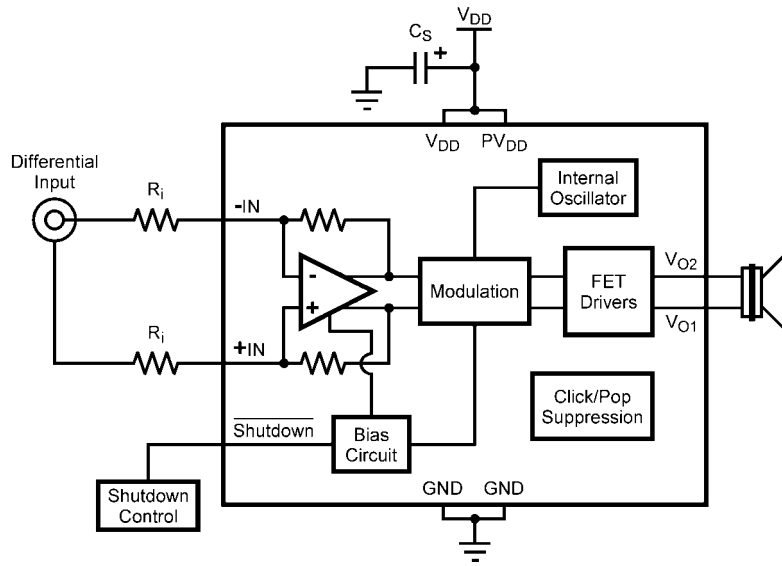
The LM4673 can also be used with single-ended sources but input capacitors will be needed to block any DC at the input terminals. Figure 5 shows the typical single-ended application configuration. The equations for Gain, Equation (2), and frequency response, Equation (3), hold for the single-ended configuration as shown in Figure 5.

When using more than one single-ended source as shown in Figure 6, the impedance seen from each input terminal should be equal. To find the correct values for  $C_{i3}$  and  $R_{i3}$  connected to the +IN input pin the equivalent impedance of all the single-ended sources are calculated. The single-ended sources are in parallel to each other. The equivalent capacitor and resistor,  $C_{i3}$  and  $R_{i3}$ , are found by calculating the parallel combination of all  $C_i$  values and then all  $R_i$  values. Equations (4) and (5) below are for any number of single-ended sources.

$$C_{i3} = C_{i1} + C_{i2} + C_{in} \dots (F) \quad (4)$$

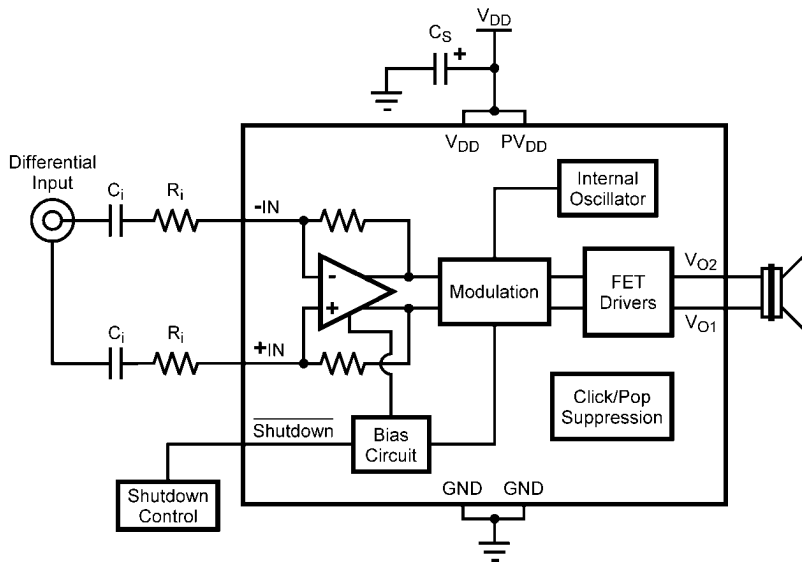
$$R_{i3} = 1 / (1/R_{i1} + 1/R_{i2} + 1/R_{in} \dots) (\Omega) \quad (5)$$

The LM4673 may also use a combination of single-ended and differential sources. A typical application with one single-ended source and one differential source is shown in Figure 7. Using the principle of superposition, the external component values can be determined with the above equations corresponding to the configuration.



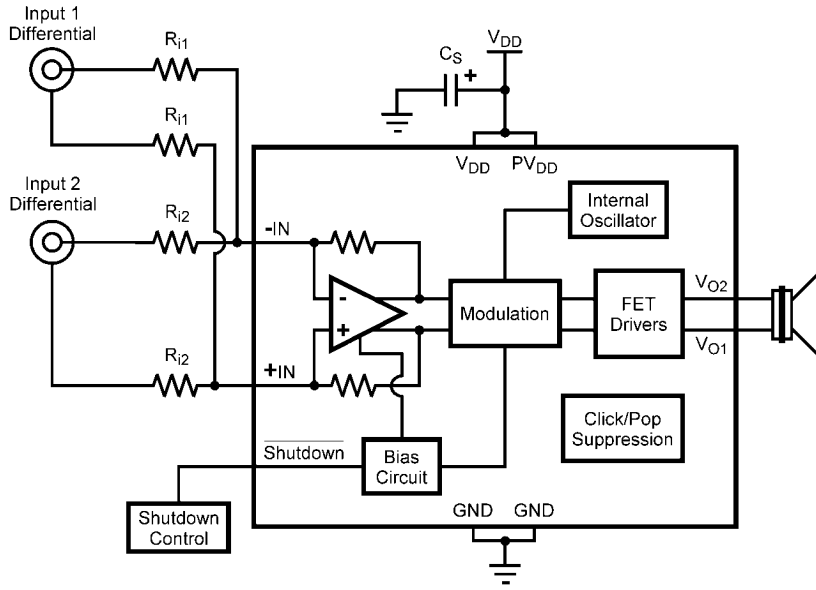
20152222

FIGURE 2. Differential Input Configuration



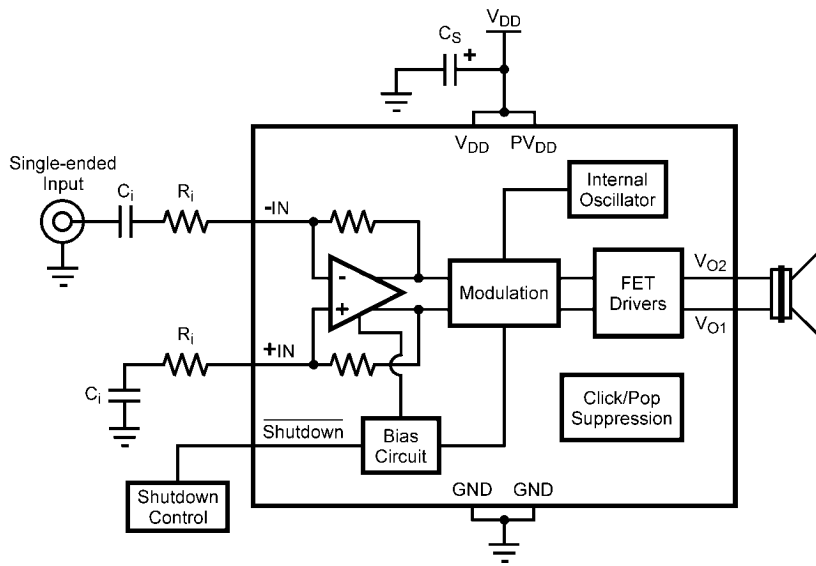
20152223

FIGURE 3. Differential Input Configuration with Input Capacitors



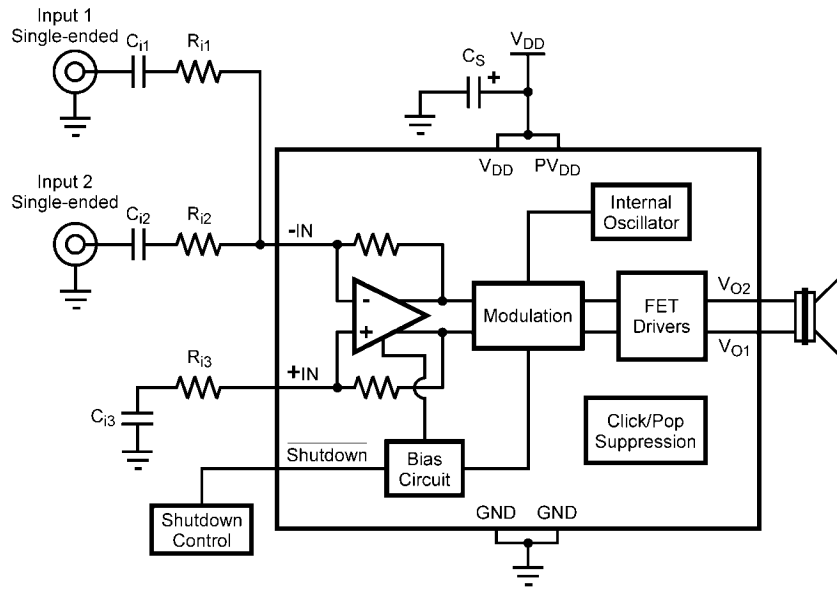
20152224

FIGURE 4. Dual Differential Input Configuration



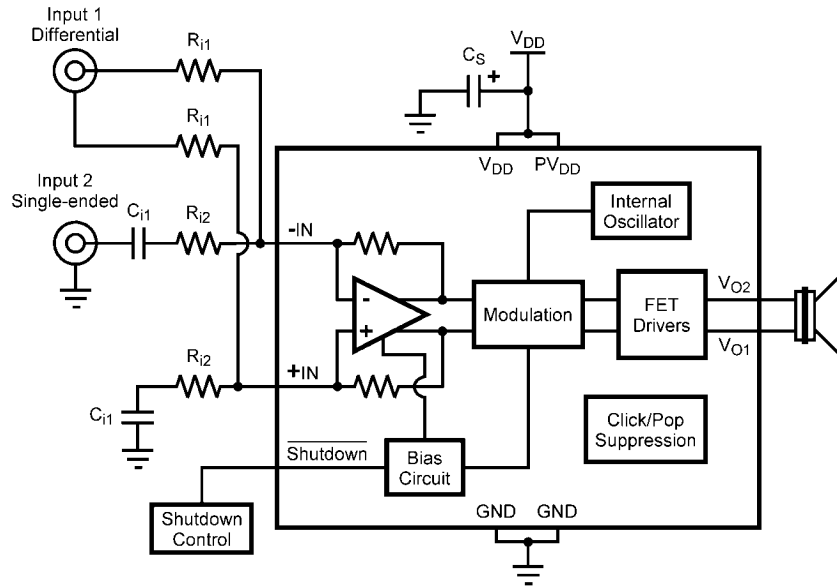
20152225

FIGURE 5. Single-Ended Input Configuration



20152226

**FIGURE 6. Dual Single-Ended Input Configuration**

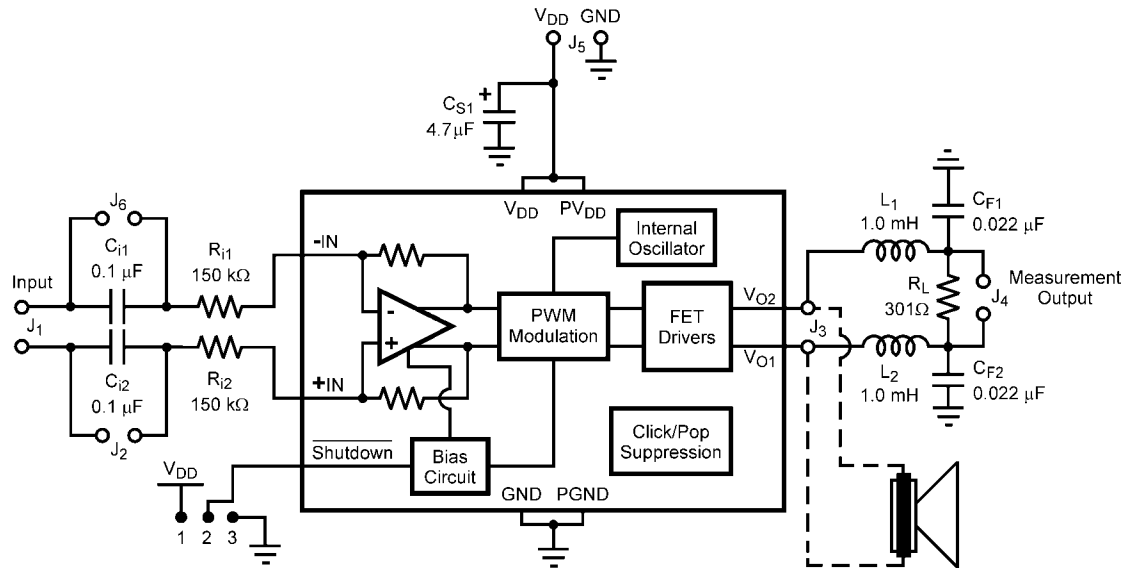


20152227

**FIGURE 7. Dual Input with a Single-Ended Input and a Differential Input**



## REFERENCE DESIGN BOARD SCHEMATIC



20152228

FIGURE 8.

In addition to the minimal parts required for the application circuit, a measurement filter is provided on the evaluation circuit board so that conventional audio measurements can be conveniently made without additional equipment. This is a balanced input, grounded differential output low pass filter with a 3dB frequency of approximately 35kHz and an on board termination resistor of 300Ω (see schematic). Note that the capacitive load elements are returned to ground. This is not optimal for common mode rejection purposes, but due to the independent pulse format at each output there is a significant amount of high frequency common mode component on the outputs. The grounded capacitive filter elements attenuate this component at the board to reduce the high frequency CMRR requirement placed on the analysis instruments.

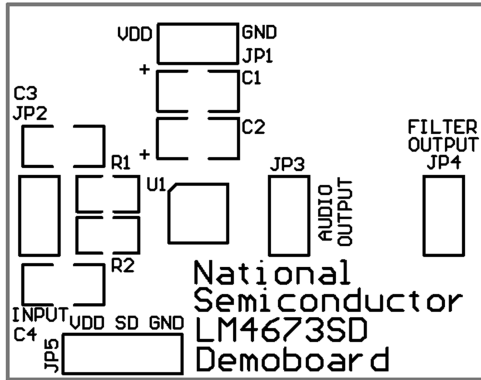
Even with the grounded filter the audio signal is still differential, necessitating a differential input on any analysis instrument connected to it. Most lab instruments that feature BNC connectors on their inputs are **NOT** differential responding because the ring of the BNC is usually grounded.

The commonly used Audio Precision analyzer is differential, but its ability to accurately reject high frequency signals is questionable necessitating the on board measurement filter. When in doubt or when the signal needs to be single-ended, use an audio signal transformer to convert the differential output to a single ended output. Depending on the audio transformer's characteristics, there may be some attenuation of the audio signal which needs to be taken into account for correct measurement of performance.

Measurements made at the output of the measurement filter suffer attenuation relative to the primary, unfiltered outputs even at audio frequencies. This is due to the resistance of the inductors interacting with the termination resistor (300Ω) and is typically about -0.25dB (3%). In other words, the voltage levels (and corresponding power levels) indicated through the measurement filter are slightly lower than those that actually occur at the load placed on the unfiltered outputs. This small loss in the filter for measurement gives a lower output power reading than what is really occurring on the unfiltered outputs and its load.

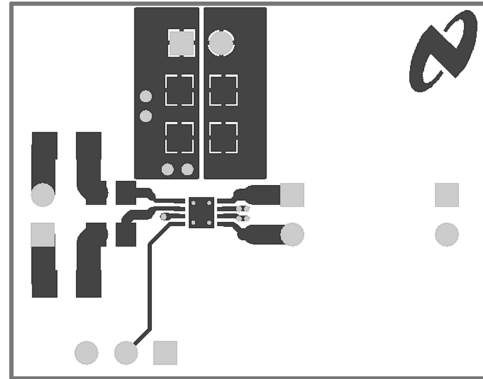
# LM4673SD Demo Board Artwork

Top Silkscreen



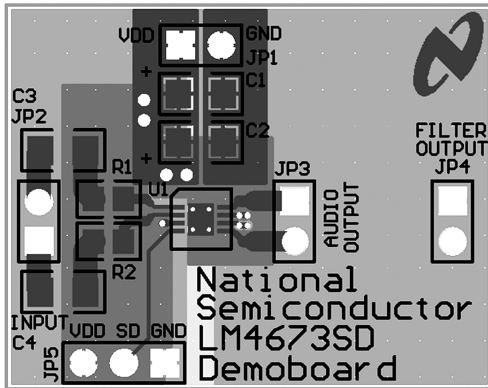
20152235

Top Layer



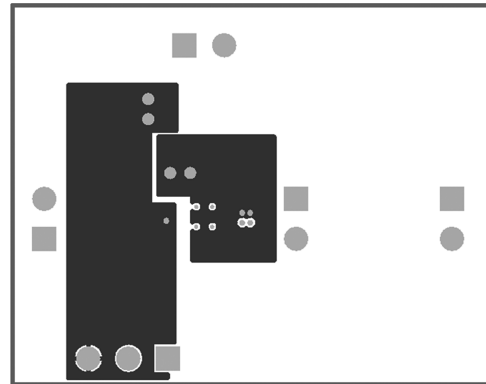
20152234

Composite View



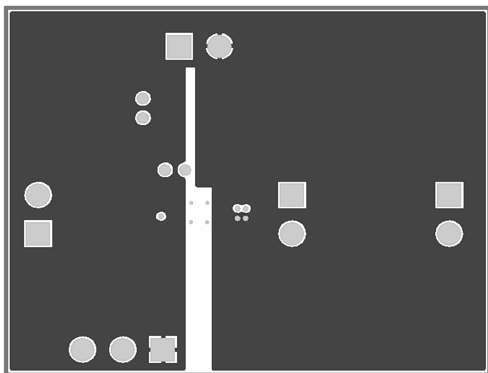
20152231

Internal Layer 1



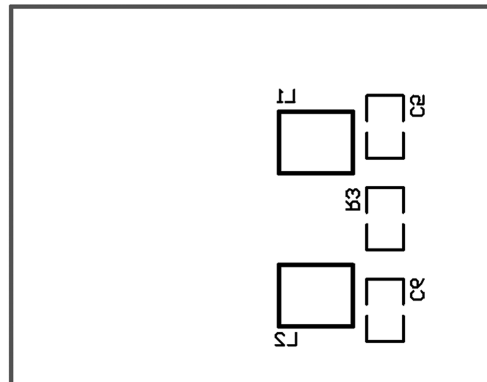
20152232

Internal Layer 2



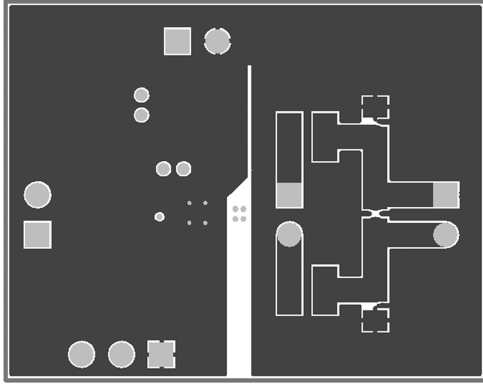
20152233

Bottom Silkscreen



20152230

Bottom Layer

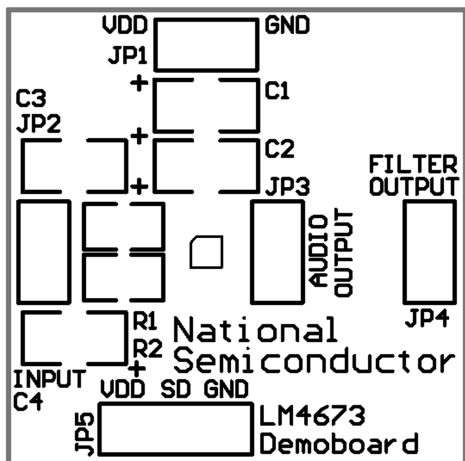


20152229

# LM4673TM Demo Board Artwork

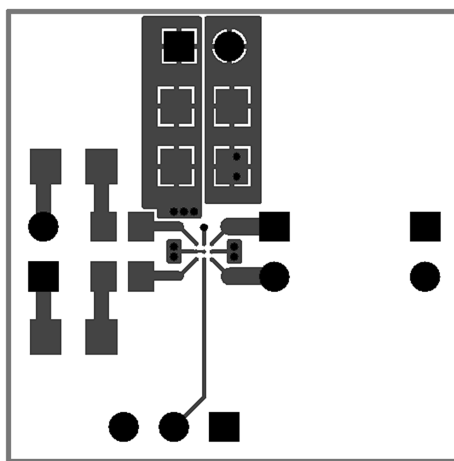
LM4673

Top Silkscreen



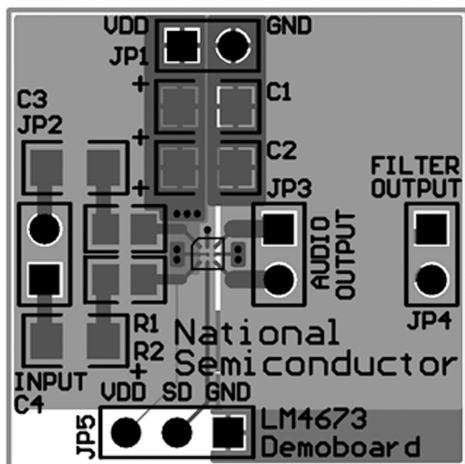
20152264

Top Layer



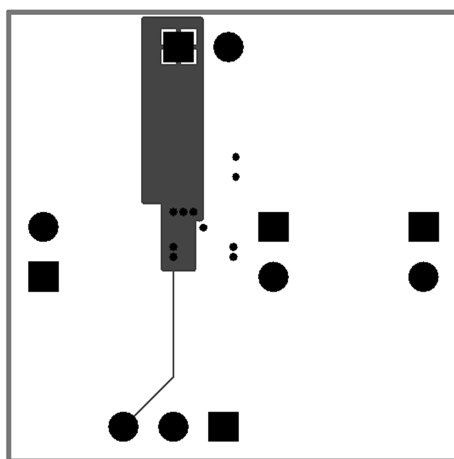
20152263

Composite View



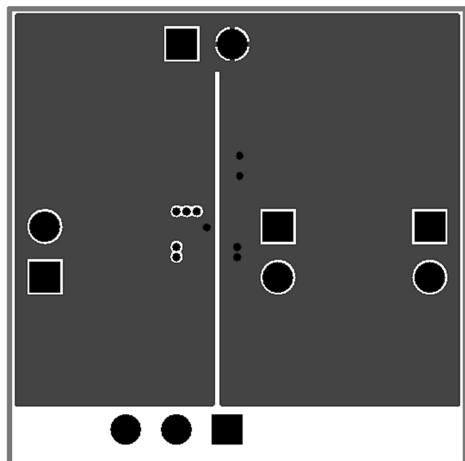
20152260

Internal Layer 1



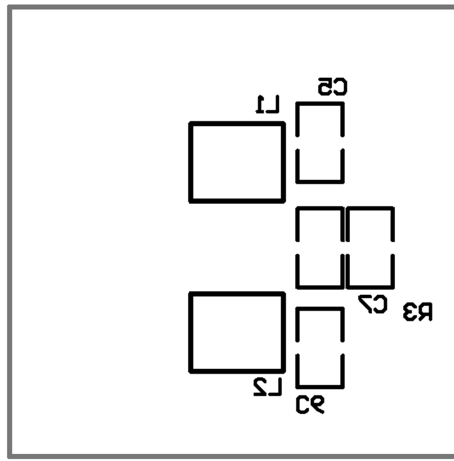
20152261

Internal Layer 2



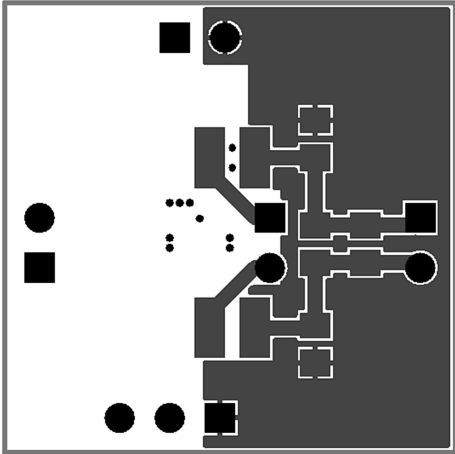
20152262

Bottom Silkscreen



20152259

Bottom Layer

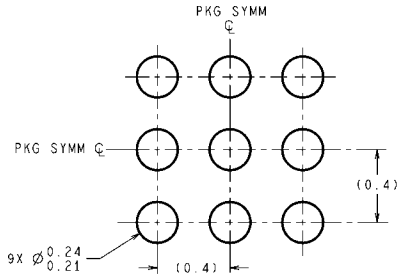


20152258

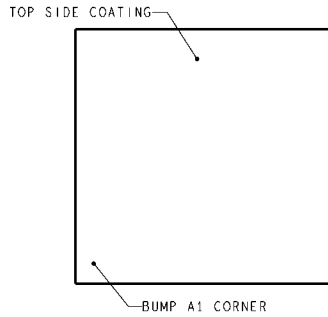
## Revision History

Rev	Date	Description
1.0	12/16/05	Initial WEB released.
1.1	02/28/06	Taken out "Future Product", then re-WEBd the datasheet.
1.2	04/06/06	Added the TM and SD demo boards, then released to the WEB (per Royce).
1.3	11/01/07	Deleted a sentence under the SHUTDOWN FUNCTION section.

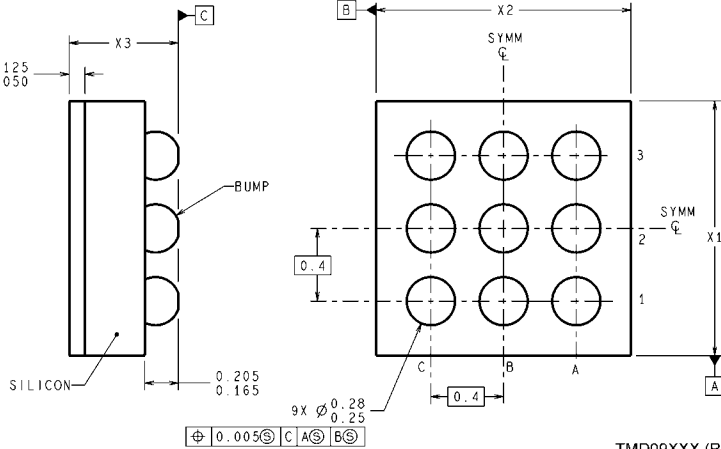
# Physical Dimensions inches (millimeters) unless otherwise noted



**LAND PATTERN RECOMMENDATION**

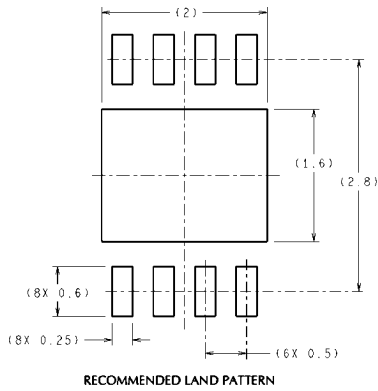


**DIMENSIONS ARE IN MILLIMETERS**  
 DIMENSIONS IN ( ) FOR REFERENCE ONLY

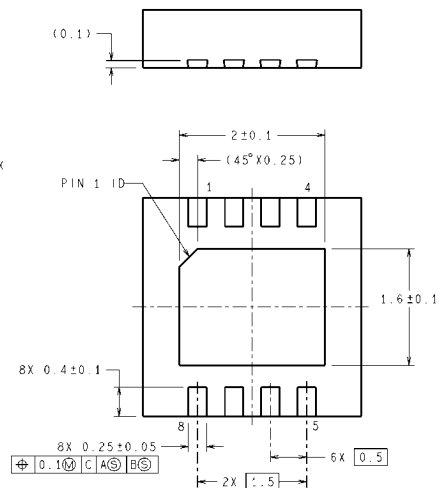
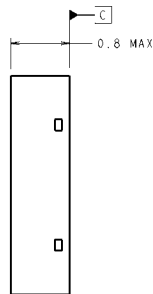
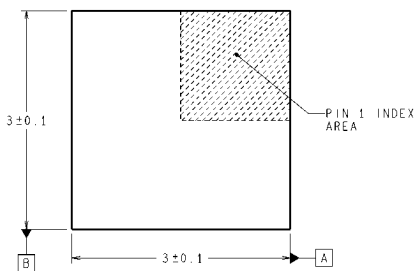


TMD09XXX (Rev A)

**9 Bump micro SMD**  
**Order Number LM4673TM**  
**NS Package Number TMD09GGA**  
**X1 = 1.405 X2 = 1.405 X3 = 0.600**



**DIMENSIONS ARE IN MILLIMETERS**  
 DIMENSIONS IN ( ) FOR REFERENCE ONLY



SDA08A (Rev A)

**LLP**  
**Order Number LM4673SD**  
**NS Package Number SDA08A**

# Notes

LM4673



## Notes

For more National Semiconductor product information and proven design tools, visit the following Web sites at:

Products		Design Support	
Amplifiers	<a href="http://www.national.com/amplifiers">www.national.com/amplifiers</a>	WEBENCH	<a href="http://www.national.com/webench">www.national.com/webench</a>
Audio	<a href="http://www.national.com/audio">www.national.com/audio</a>	Analog University	<a href="http://www.national.com/AU">www.national.com/AU</a>
Clock Conditioners	<a href="http://www.national.com/timing">www.national.com/timing</a>	App Notes	<a href="http://www.national.com/appnotes">www.national.com/appnotes</a>
Data Converters	<a href="http://www.national.com/adc">www.national.com/adc</a>	Distributors	<a href="http://www.national.com/contacts">www.national.com/contacts</a>
Displays	<a href="http://www.national.com/displays">www.national.com/displays</a>	Green Compliance	<a href="http://www.national.com/quality/green">www.national.com/quality/green</a>
Ethernet	<a href="http://www.national.com/ethernet">www.national.com/ethernet</a>	Packaging	<a href="http://www.national.com/packaging">www.national.com/packaging</a>
Interface	<a href="http://www.national.com/interface">www.national.com/interface</a>	Quality and Reliability	<a href="http://www.national.com/quality">www.national.com/quality</a>
LVDS	<a href="http://www.national.com/lvds">www.national.com/lvds</a>	Reference Designs	<a href="http://www.national.com/refdesigns">www.national.com/refdesigns</a>
Power Management	<a href="http://www.national.com/power">www.national.com/power</a>	Feedback	<a href="http://www.national.com/feedback">www.national.com/feedback</a>
Switching Regulators	<a href="http://www.national.com/switchers">www.national.com/switchers</a>		
LDOs	<a href="http://www.national.com/ldo">www.national.com/ldo</a>		
LED Lighting	<a href="http://www.national.com/led">www.national.com/led</a>		
PowerWise	<a href="http://www.national.com/powerwise">www.national.com/powerwise</a>		
Serial Digital Interface (SDI)	<a href="http://www.national.com/sdi">www.national.com/sdi</a>		
Temperature Sensors	<a href="http://www.national.com/tempsensors">www.national.com/tempsensors</a>		
Wireless (PLL/VCO)	<a href="http://www.national.com/wireless">www.national.com/wireless</a>		

THE CONTENTS OF THIS DOCUMENT ARE PROVIDED IN CONNECTION WITH NATIONAL SEMICONDUCTOR CORPORATION ("NATIONAL") PRODUCTS. NATIONAL MAKES NO REPRESENTATIONS OR WARRANTIES WITH RESPECT TO THE ACCURACY OR COMPLETENESS OF THE CONTENTS OF THIS PUBLICATION AND RESERVES THE RIGHT TO MAKE CHANGES TO SPECIFICATIONS AND PRODUCT DESCRIPTIONS AT ANY TIME WITHOUT NOTICE. NO LICENSE, WHETHER EXPRESS, IMPLIED, ARISING BY ESTOPPEL OR OTHERWISE, TO ANY INTELLECTUAL PROPERTY RIGHTS IS GRANTED BY THIS DOCUMENT.

TESTING AND OTHER QUALITY CONTROLS ARE USED TO THE EXTENT NATIONAL DEEMS NECESSARY TO SUPPORT NATIONAL'S PRODUCT WARRANTY. EXCEPT WHERE MANDATED BY GOVERNMENT REQUIREMENTS, TESTING OF ALL PARAMETERS OF EACH PRODUCT IS NOT NECESSARILY PERFORMED. NATIONAL ASSUMES NO LIABILITY FOR APPLICATIONS ASSISTANCE OR BUYER PRODUCT DESIGN. BUYERS ARE RESPONSIBLE FOR THEIR PRODUCTS AND APPLICATIONS USING NATIONAL COMPONENTS. PRIOR TO USING OR DISTRIBUTING ANY PRODUCTS THAT INCLUDE NATIONAL COMPONENTS, BUYERS SHOULD PROVIDE ADEQUATE DESIGN, TESTING AND OPERATING SAFEGUARDS.

EXCEPT AS PROVIDED IN NATIONAL'S TERMS AND CONDITIONS OF SALE FOR SUCH PRODUCTS, NATIONAL ASSUMES NO LIABILITY WHATSOEVER, AND NATIONAL DISCLAIMS ANY EXPRESS OR IMPLIED WARRANTY RELATING TO THE SALE AND/OR USE OF NATIONAL PRODUCTS INCLUDING LIABILITY OR WARRANTIES RELATING TO FITNESS FOR A PARTICULAR PURPOSE, MERCHANTABILITY, OR INFRINGEMENT OF ANY PATENT, COPYRIGHT OR OTHER INTELLECTUAL PROPERTY RIGHT.

### LIFE SUPPORT POLICY

**NATIONAL'S PRODUCTS ARE NOT AUTHORIZED FOR USE AS CRITICAL COMPONENTS IN LIFE SUPPORT DEVICES OR SYSTEMS WITHOUT THE EXPRESS PRIOR WRITTEN APPROVAL OF THE CHIEF EXECUTIVE OFFICER AND GENERAL COUNSEL OF NATIONAL SEMICONDUCTOR CORPORATION.** As used herein:

Life support devices or systems are devices which (a) are intended for surgical implant into the body, or (b) support or sustain life and whose failure to perform when properly used in accordance with instructions for use provided in the labeling can be reasonably expected to result in a significant injury to the user. A critical component is any component in a life support device or system whose failure to perform can be reasonably expected to cause the failure of the life support device or system or to affect its safety or effectiveness.

National Semiconductor and the National Semiconductor logo are registered trademarks of National Semiconductor Corporation. All other brand or product names may be trademarks or registered trademarks of their respective holders.

Copyright© 2007 National Semiconductor Corporation

For the most current product information visit us at [www.national.com](http://www.national.com)



**National Semiconductor Americas Customer Support Center**  
 Email: [new.feedback@nsc.com](mailto:new.feedback@nsc.com)  
 Tel: 1-800-272-9959

**National Semiconductor Europe Customer Support Center**  
 Fax: +49 (0) 180-530-85-86  
 Email: [europe.support@nsc.com](mailto:europe.support@nsc.com)  
 Deutsch Tel: +49 (0) 69 9508 6208  
 English Tel: +49 (0) 870 24 0 2171  
 Français Tel: +33 (0) 1 41 91 8790

**National Semiconductor Asia Pacific Customer Support Center**  
 Email: [ap.support@nsc.com](mailto:ap.support@nsc.com)

**National Semiconductor Japan Customer Support Center**  
 Fax: 81-3-5639-7507  
 Email: [jpn.feedback@nsc.com](mailto:jpn.feedback@nsc.com)  
 Tel: 81-3-5639-7560