

MOTOROLA
SEMICONDUCTOR
TECHNICAL DATA

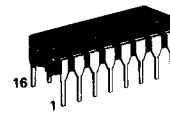
MC3437

HEX BUS RECEIVER WITH INPUT HYSTERESIS

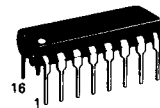
These high-speed bus receivers are useful in bus organized data transmission systems employing terminated 120 Ω lines. The receivers feature input hysteresis to obtain improved noise immunity. The receivers low input current requirement allows up to 27 driver/receiver pairs to share a common bus. A pair of Disable Inputs are provided. These Disable Inputs along with the receiver outputs are MTTL compatible.

- Built in receiver hysteresis
- Receiver input threshold is not affected by temperature
- Propagation delay time— 20 ns (Typ)
- Direct Replacement for DM8837

**HEX BUS
 RECEIVER
 SILICON MONOLITHIC
 INTEGRATED CIRCUIT**



**L SUFFIX
 CERAMIC PACKAGE
 CASE 620**

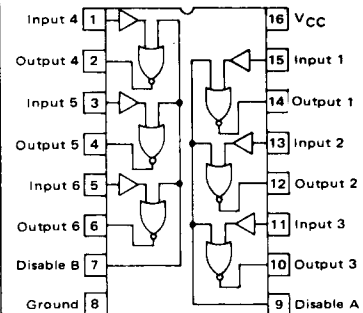


**P SUFFIX
 PLASTIC PACKAGE
 CASE 648**

MAXIMUM RATINGS ($T_A = 25^\circ\text{C}$ unless otherwise noted.)

Rating	Symbol	Value	Unit
Supply Voltage	V_{CC}	7.0	Vdc
Input Voltage	V_I	5.5	Vdc
Power Dissipation Derate above 25°C	P_D	625 3.85	mW mW/°C
Operating Ambient Temperature Range	T_A	0 to 70	°C
Storage Temperature Range	T_{stg}	-65 to +150	°C

PIN CONNECTIONS

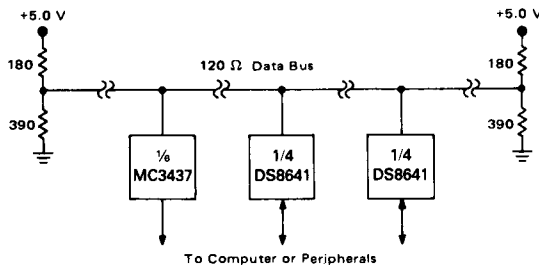


TRUTH TABLE

Input	Disable	Output
O	L	H
O	H	L
I	L	L
I	H	L

O = < 1.05 V
 I = > 2.5 V
 H = High Logic State
 L = Low Logic State

FIGURE 1 — TYPICAL APPLICATION



MC3437

ELECTRICAL CHARACTERISTICS (Unless otherwise noted, specifications apply for $0 \leq T_A \leq 70^\circ\text{C}$ and $4.75 \text{ V} \leq V_{CC} \leq 5.25 \text{ V}$.)

Characteristic	Symbol	Min	Typ	Max	Unit
Receiver Input Threshold Voltage – High Logic State ($V_{IL(DA)} = 0.8 \text{ V}$, $I_{OL} = 16 \text{ mA}$, $V_{OL} \leq 0.4 \text{ V}$)	$V_{ILH(R)}$	1.80	2.25	2.50	V
Receiver Input Threshold Voltage – Low Logic State ($V_{IL(DA)} = 0.8 \text{ V}$, $I_{OH} = -400 \mu\text{A}$, $V_{OH} \geq 2.4 \text{ V}$)	$V_{IHL(R)}$	1.05	1.30	1.55	V
Receiver Input Current ($V_{I(R)} = 4.0 \text{ V}$, $V_{CC} = 5.25 \text{ V}$) ($V_{I(R)} = 4.0 \text{ V}$, $V_{CC} = 0 \text{ V}$)	$I_{I(R)}$	–	15 1.0	50 50	μA
Disable Input Voltage – High Logic State ($V_{I(R)} = 0.5 \text{ V}$, $V_{OL} \leq 0.4 \text{ V}$, $I_{OL} = 16 \text{ mA}$)	$V_{IH(DA)}$	2.0	–	–	V
Disable Input Voltage – Low Logic State ($V_{I(R)} = 0.5 \text{ V}$, $V_{OH} \geq 2.4 \text{ V}$, $I_{OH} = -400 \mu\text{A}$)	$V_{IL(DA)}$	–	–	0.8	V
Output Voltage – High Logic State ($V_{I(R)} = 0.5 \text{ V}$, $V_{IL(DA)} = 0.8 \text{ V}$, $I_{OH} = -400 \mu\text{A}$)	V_{OH}	2.4	–	–	V
Output Voltage – Low Logic State ($V_{I(R)} = 4.0 \text{ V}$, $V_{IL(DA)} = 0.8 \text{ V}$, $I_{OL} = 16 \text{ mA}$)	V_{OL}	–	0.25	0.4	V
Disable Input Current – High Logic State ($V_{IH(DA)} = 2.4 \text{ V}$) ($V_{IH(DA)} = 5.5 \text{ V}$)	$I_{IH(DA)}$	–	–	80 2.0	μA mA
Disable Input Current – Low Logic State ($V_{I(R)} = 4.0 \text{ V}$, $V_{IL(DA)} = 0.4 \text{ V}$)	$I_{IL(DA)}$	–	–	-3.2	mA
Output Short Circuit Current ($V_{I(R)} = 0.5 \text{ V}$, $V_{IL(DA)} = 0 \text{ V}$, $V_{CC} = 5.25 \text{ V}$)	I_{OS}	-18	–	-55	mA
Power Supply Current ($V_{I(R)} = 0.5 \text{ V}$, $V_{IL(DA)} = 0 \text{ V}$)	I_{CC}	–	45	65	mA
Input Clamp Diode Voltage ($I_{I(R)} = -12 \text{ mA}$, $I_{I(DA)} = -12 \text{ mA}$.)	V_I	–	-1.0	-1.5	V

SWITCHING CHARACTERISTICS ($T_A = 25^\circ\text{C}$, $V_{CC} = 5.0 \text{ V}$ unless otherwise noted.)

Characteristic	Symbol	Min	Typ	Max	Unit
Propagation Delay Time from Receiver Input to High Logic State Output	$t_{PLH(R)}$	–	20	30	ns
Propagation Delay Time from Receiver Input to Low Logic State Output	$t_{PHL(R)}$	–	18	30	ns
Propagation Delay Time from Disable Input to High Logic State Output	$t_{PLH(DA)}$	–	9.0	15	ns
Propagation Delay Time from Disable Input to Low Logic State Output	$t_{PHL(DA)}$	–	4.0	15	ns

MC3437

FIGURE 2 — SWITCHING TIMES TEST CIRCUIT AND WAVEFORMS

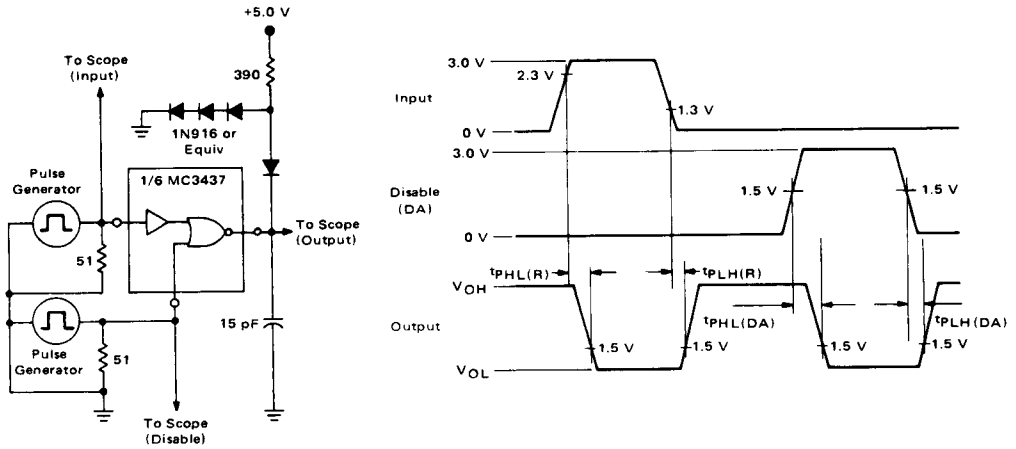


FIGURE 3 — TYPICAL HYSTERESIS

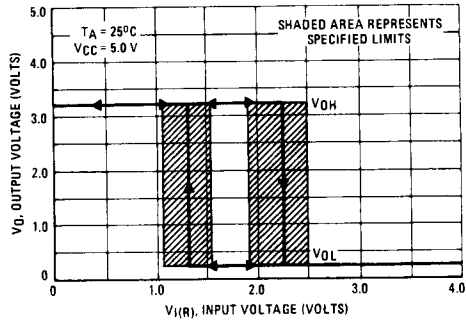


FIGURE 4 — REPRESENTATIVE CIRCUIT SCHEMATIC (1/6 Shown)

