

ThunderLAN™ TNETE100A
PCI ETHERNET™ CONTROLLER
SINGLE-CHIP 10 BASE-T WITH MII FOR 100 BASE-T/100VG-AnyLAN
SPWS021B – OCTOBER 1995 – REVISED NOVEMBER 1996

- **Single-Chip Ethernet™ Controller for the Peripheral Component Interconnect (PCI) Local Bus**
 - 32-Bit PCI† Glueless Host Interface
 - Compliant With PCI Local-Bus Specification (Revision 2.0)
 - 0-MHz to 33-MHz Operation
 - 3-V or 5-V I/O Operation
 - Adaptive Performance Optimization™ (APO) by Texas Instruments (TI™) for Highest Available PCI Bandwidth
 - High-Performance Bus Master Architecture With Byte-Aligning Direct Memory Access (DMA) Controller for Low Host CPU and Bus Utilization
 - Plug-and-Play Compatible
- **Supports 32-Bit Data Streaming on PCI Bus**
 - Time-Division Multiplexed Static Random-Access Memory (SRAM)
 - 2-Gbps Internal Bandwidth
- **Driver Compatible With All Previous ThunderLAN™ Components**
- **Switched Ethernet Compatible**
- **Full-Duplex Compatible**
 - Independent Transmit and Receive Channels
 - Two Transmit Channels for Demand Priority
- **Supports Multiple Protocols With a Single Driver Suite—Optimized Shared Interrupts**
- **No On-Board Memory Required**
- **Auto-Negotiation (N-Way) Compatible**
- **Multimedia-Ready Architecture**
- **Supports the Card-Bus Card Information Structure (CIS) Pointer Register**
- **Integrated 10 Base-T, and 10 Base-5 Arithmetic Unit Interface (AUI) Physical-Layer Interface**
 - Single-Chip IEEE 802.3 and Blue Book Ethernet-Compliant Solution
 - DSP-Based Digital Phase-Locked Loop
 - Smart Squelch Allows for Transparent Link Testing
 - Transmission Waveshaping
 - Autopolarity (Reverse Polarity Correction)
 - External/Internal Loopback Including Twisted Pair and AUI
 - 10 Base-2 Supported Through AUI Interface
- **Media-Independent Interface (MII) for Connecting 100-Mbps External Transceivers**
 - Compliant MII for IEEE 802.3u Transceivers
 - Supports 100 Base-TX, 100 Base-T4, and 100 Base-FX
 - Super Set Supports IEEE 802.12 Transceivers
 - Supports Ethernet and Token-Ring Framing Formats for 100VG-AnyLAN
 - Link-Pulse Detection for Determining Wire Rate
- **Low-Power CMOS Technology**
 - Green PC Compatible
 - Microsoft™ Advanced Power Management
- **EEPROM Interface Supports Jumperless Design and Autoconfiguration**
- **Hardware Statistics Registers for Management-Information Base (MIB)**
- **DMTF (Desktop Management Task Force) Compatible**
- **IEEE Standard 1149.1‡ Test-Access Port (JTAG)**
- **144-Pin Quad Flat Packages (PCM Suffix) and Thin Quad Flat Packages (PGE Suffix)**



Please be aware that an important notice concerning availability, standard warranty, and use in critical applications of Texas Instruments semiconductor products and disclaimers thereto appears at the end of this data sheet.

† The PCI Local-Bus Specification, Revision 2.0 should be used as a reference with this document.

‡ IEEE Standard 1149.1–1990, IEEE Standard Test-Access Port and Boundary-Scan Architecture

ThunderLAN, Adaptive Performance Optimization, and TI are trademarks of Texas Instruments Incorporated.

Ethernet is a registered trademark of Xerox Corporation.

Microsoft is a registered trademark of Microsoft Corp.

PRODUCTION DATA Information is current as of publication date. Products conform to specifications per the terms of Texas Instruments standard warranty. Production processing does not necessarily include testing of all parameters.

**TEXAS
INSTRUMENTS**

POST OFFICE BOX 1443 • HOUSTON, TEXAS 77251-1443

Copyright © 1996, Texas Instruments Incorporated

8961724 0105568 431

ThunderLAN™ TNETE100A
PCI ETHERNET™ CONTROLLER
SINGLE-CHIP 10 BASE-T WITH MII FOR 100 BASE-T/100VG-AnyLAN
SPWS021B – OCTOBER 1995 – REVISED NOVEMBER 1996

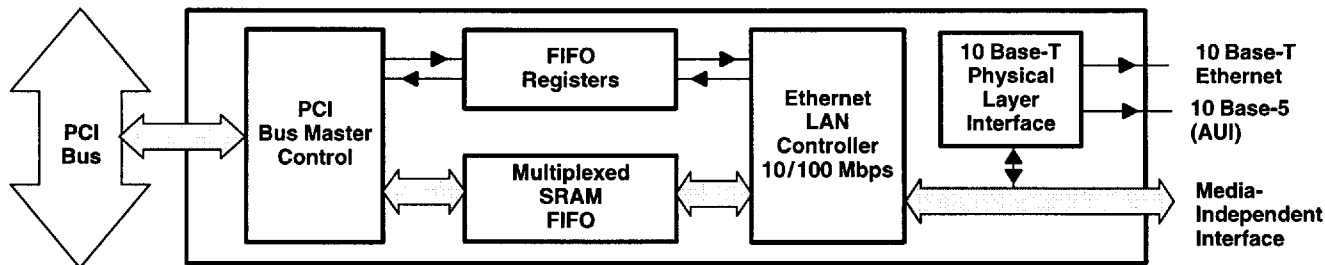


Figure 1. ThunderLAN Architecture

description

ThunderLAN is a high-speed networking architecture that provides a complete PCI-to-10 Base-T/AUI Ethernet solution with the flexibility to handle 100-Mbps Ethernet protocols as networking demands grow.

The TNETE100A, an implementation of the ThunderLAN architecture, is an intelligent protocol network interface. The ThunderLAN SRAM FIFO-based architecture eliminates the need for external memory and offers a single-chip glueless PCI-to-10 Base-T/AUI (IEEE 802.3) solution with an on-board physical layer interface. Modular support for 100 Base-T (IEEE 802.3u), and 100VG-AnyLAN (IEEE 802.12) is provided by a superset of the industry-standard media independent interface (MII). ThunderLAN uses a single driver suite to support multiple networking protocols.

The glueless PCI interface supports 32-bit streaming, operates at speeds up to 33 MHz and is capable of internal data-transfer rates up to 2 Gbps, taking full advantage of all available PCI bandwidth. The TNETE100A offers jumperless autoconfiguration using PCI configuration read/write cycles. Customizable configuration registers, which can be autoloading from an external serial EEPROM, allow designers of TNETE100A-based systems to give their systems a unique identification code. The TNETE100A PCI interface, developed in conjunction with other leaders in the semiconductor and computer industries, has been tested vigorously on multiple platforms to ensure compatibility across a wide array of available PCI products. In addition, the ThunderLAN drivers and ThunderLAN architecture use TI's patented adaptive performance optimization (APO) technology to adjust dynamically critical parameters for minimum latency, minimum host CPU utilization, and maximum system performance. This technology ensures that the maximum capabilities of the PCI interface are used by automatically tuning the controller to the specific system in which it is operating.

The MII, an industry-standard interface for connecting a variety of external IEEE 802.3u physical layer interfaces, is supported fully by the TNETE100A. In addition, the TNETE100A features an IEEE 802.12-compliant superset of the MII to allow for support of 100VG-AnyLAN physical layer interfaces. This allows TNETE100A-based systems to support 100 Base-TX, 100 Base-FX, 100 Base-T4, and 100VG-AnyLAN cabling schemes for maximum flexibility as each new physical-layer interface becomes available in the marketplace.

An intelligent protocol handler (PH) implements the serial protocols of the network. The PH is designed for minimum overhead related to multiple protocols, using common state machines to implement 95 percent of the total PH. On transmit, the PH serializes data, adds framing and cyclic redundancy check (CRC) fields, and interfaces to the network physical layer (PHY) chip. On receive, it provides address recognition, CRC and error checking, frame disassembly, and deserialization. Data for multiple channels is passed to and from the PH by way of circular-buffer FIFOs in the FIFO SRAM.

ThunderLAN is the first multimedia-ready architecture and is capable of prioritized data regardless of the selected protocol. The demand-priority protocol supports two priorities of frames: normal and priority. The two transmit channels provide independent host channels for these two frame types. Carrier-sense multiple access with collision detection (CSMA/CD) protocols only support a single priority of frame, but the two channels can be used to prioritize network access. All received frames pass through the single receive-channel.

ThunderLAN™ TNETE100A
PCI ETHERNET™ CONTROLLER
SINGLE-CHIP 10 BASE-T WITH MII FOR 100 BASE-T/100VG-AnyLAN
SPWS021B – OCTOBER 1995 – REVISED NOVEMBER 1996

description (continued)

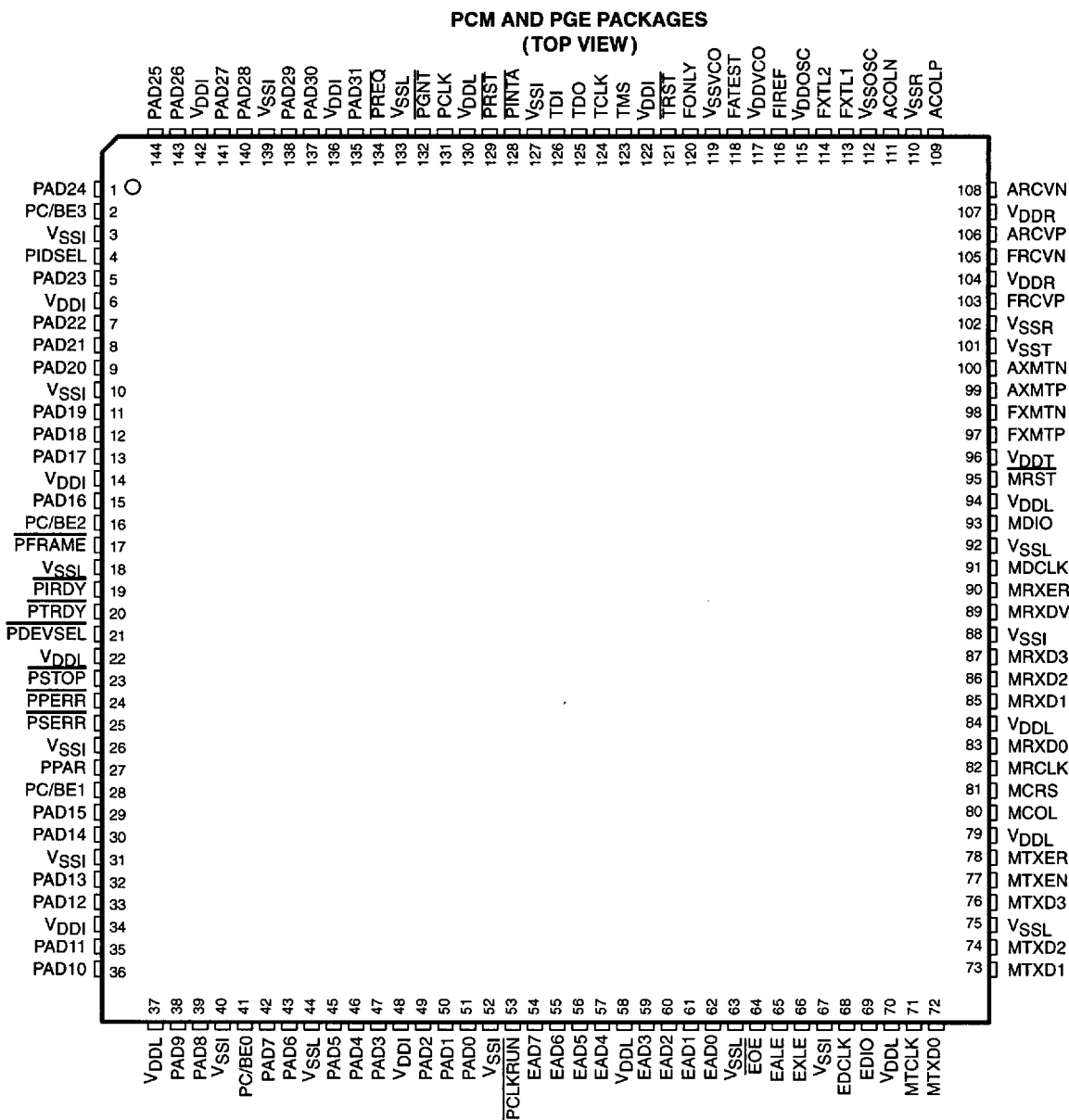
Compliant with IEEE Standard 1149.1 (JTAG), the TNETE100A provides a five-pin test-access port that is used for boundary-scan testing.

The TNETE100A is available in a 144-pin thin quad flat package and quad flat package.

differences between TNETE100 and TNETE100A:

The TNETE100A implements the CIS pointer register as defined in the PC card standard. This register can be found in the PCI configuration registers at offset 28h. For other differences between the TNETE100 and TNETE100A, consult the *ThunderLAN Programmer's Guide* (literature number SPWU013).

pin assignments



8961724 0105570 09T

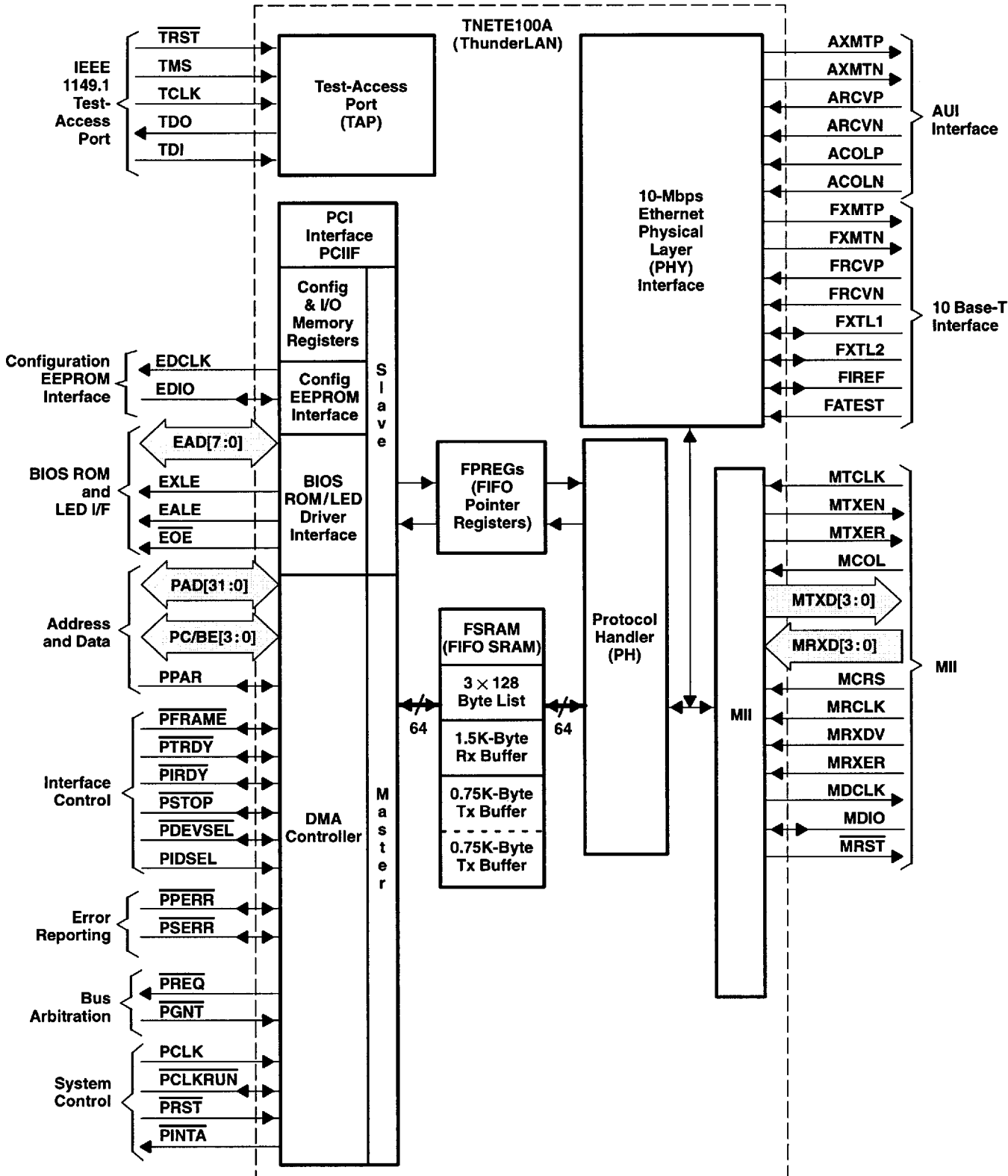


POST OFFICE BOX 1443 • HOUSTON, TEXAS 77251-1443

ThunderLAN™ TNETE100A PCI ETHERNET™ CONTROLLER SINGLE-CHIP 10 BASE-T WITH MII FOR 100 BASE-T/100VG-AnyLAN

SPWS021B - OCTOBER 1995 - REVISED NOVEMBER 1996

functional block diagram



8961724 0105571 T26



POST OFFICE BOX 1443 • HOUSTON, TEXAS 77251-1443

ThunderLAN™ TNETE100A
PCI ETHERNET™ CONTROLLER
SINGLE-CHIP 10 BASE-T WITH MII FOR 100 BASE-T/100VG-AnyLAN
SPWS021B – OCTOBER 1995 – REVISED NOVEMBER 1996

Pin Functions

PIN NAME	NO.	TYPE†	DESCRIPTION
TEST PORT			
TCLK	124	I	Test clock. TCLK is used to clock state information and test data into and out of the device during operation of the test port.
TDI	126	I	Test data input. TDI is used to shift test data and test instructions serially into the device during operation of the test port.
TDO	125	O	Test data output. TDO is used to shift test data and test instructions serially out of the device during operation of the test port.
TMS	123	I	Test mode select. TMS is used to control the state of the test port controller within TNETE100A.
TRST	121	I	Test reset. TRST is used for asynchronous reset of the test port controller.
PCI INTERFACE			
PAD31	135	I/O	PCI address/data bus. Byte 3 (most significant) of the PCI address/data bus.
PAD30	137		
PAD29	138		
PAD28	140		
PAD27	141		
PAD26	143		
PAD25	144		
PAD24	1		
PAD23	5	I/O	PCI address/data bus. Byte 2 of the PCI address/data bus.
PAD22	7		
PAD21	8		
PAD20	9		
PAD19	11		
PAD18	12		
PAD17	13		
PAD16	15		
PAD15	29	I/O	PCI address/data bus. Byte 1 of the PCI address/data bus.
PAD14	30		
PAD13	32		
PAD12	33		
PAD11	35		
PAD10	36		
PAD9	38		
PAD8	39		

† I = input, O = output, I/O = 3-state input/output

■ 8961724 0105572 962 ■



POST OFFICE BOX 1443 • HOUSTON, TEXAS 77251-1443

ThunderLAN™ TNETE100A
PCI ETHERNET™ CONTROLLER
SINGLE-CHIP 10 BASE-T WITH MII FOR 100 BASE-T/100VG-AnyLAN
 SPWS021B – OCTOBER 1995 – REVISED NOVEMBER 1996

Pin Functions (Continued)

PIN NAME	NO.	TYPE†	DESCRIPTION
PCI INTERFACE (CONTINUED)			
PAD7	42	I/O	PCI address/data bus. Byte 0 (least significant) of the PCI address/data bus.
PAD6	43		
PAD5	45		
PAD4	46		
PAD3	47		
PAD2	49		
PAD1	50		
PAD0	51		
PCLK	131	I	PCI clock. PCLK is the clock reference for all PCI bus operations. All other PCI pins except \overline{PRST} and \overline{PINTA} are sampled on the rising edge of PCLK. All PCI bus timing parameters are defined with respect to this edge.
$\overline{PCLKRUN}$	53	I/O‡	Clock run control. $\overline{PCLKRUN}$ is the active-low PCI clock request/grant signal that allows the TNETE100A to indicate when an active PCI clock is required. (This is an open drain.)
PC/BE3	2	I/O	PCI bus command and byte enables: PC/BE3 enables byte 3 (MSbyte) of the PCI address/data bus. PC/BE2 enables byte 2 of PCI address/data bus. PC/BE1 enables byte 1 of PCI address/data bus. PC/BE0 enables byte 0 (LSbyte) of PCI address/data bus.
PC/BE2	16		
PC/BE1	28		
PC/BE0	41		
$\overline{PDEVSEL}$	21	I/O	PCI device select. $\overline{PDEVSEL}$ indicates that the driving device has decoded one of its addresses as the target of the current access. The TNETE100A drives $\overline{PDEVSEL}$ when it decodes an access to one of its registers. As a bus master, the TNETE100A monitors $\overline{PDEVSEL}$ to detect accesses to illegal memory addresses.
\overline{PFRAME}	17	I/O	PCI cycle frame. \overline{PFRAME} is driven by the active bus master to indicate the beginning and duration of an access. \overline{PFRAME} is asserted to indicate the start of a bus transaction and remains asserted during the transaction, only being deasserted in the final data phase.
\overline{PGNT}	132	I	PCI bus grant. \overline{PGNT} is asserted by the system arbiter to indicate that the TNETE100A has been granted control of the PCI bus.
PIDSEL	4	I	PCI initialization device select. PIDSEL is the chip select for access to PCI configuration registers.
\overline{PINTA}	128	O/D	PCI interrupt. \overline{PINTA} is the interrupt request from the TNETE100A. PCI interrupts are shared, so this is an open-drain (wired-OR) output.
\overline{PIRDY}	19	I/O	PCI initiator ready. \overline{PIRDY} is driven by the active bus master to indicate that it is ready to complete the current data phase of a transaction. A data phase is not completed until both \overline{PIRDY} and \overline{PTRDY} are sampled asserted. When the TNETE100A is a bus master, it uses \overline{PIRDY} to align incoming data on reads or outgoing data on writes with its internal RAM-access synchronization (maximum one cycle at the beginning of burst). When the TNETE100A is a bus slave, it extends the access appropriately until both \overline{PIRDY} and \overline{PTRDY} are asserted.
\overline{PTRDY}	20	I/O	PCI target ready. \overline{PTRDY} is driven by the selected device (bus slave or target) to indicate that it is ready to complete the current data phase of a transaction. A data phase is not completed until both \overline{PIRDY} and \overline{PTRDY} are sampled asserted. ThunderLAN uses \overline{PTRDY} to ensure every direct I/O (DIO) operation is correctly interlocked.
PPAR	27	I/O	PCI parity. PPAR carries even parity across PAD[31:0] and PC/BE[3:0]. It is driven by the TNETE100A during all address and write cycles as a bus master and during all read cycles as a bus slave.
\overline{PPERR}	24	I/O	PCI parity error. \overline{PPERR} indicates a data parity error on all PCI transactions except special cycles.

† I = input, I/O = 3-state input/output, O/D = open-drain output

‡ Open drain

8961724 0105573 8T9



POST OFFICE BOX 1443 • HOUSTON, TEXAS 77251-1443

ThunderLAN™ TNETE100A
PCI ETHERNET™ CONTROLLER
SINGLE-CHIP 10 BASE-T WITH MII FOR 100 BASE-T/100VG-AnyLAN
SPWS021B – OCTOBER 1995 – REVISED NOVEMBER 1996

Pin Functions (Continued)

PIN NAME	NO.	TYPE†	DESCRIPTION
PCI INTERFACE (CONTINUED)			
$\overline{\text{PREQ}}$	134	I/O	PCI bus request. $\overline{\text{PREQ}}$ is asserted by the TNETE100A to request control of the PCI bus. This is not a shared signal.
$\overline{\text{PRST}}$	129	I	PCI reset signal
$\overline{\text{PSERR}}$	25	O/D	PCI system error. $\overline{\text{PSERR}}$ indicates parity errors or special cycle data parity errors.
$\overline{\text{PSTOP}}$	23	I/O	PCI stop. $\overline{\text{PSTOP}}$ indicates the current target is requesting the master to stop the current transaction.
BIOS ROM/LED DRIVER INTERFACE			
EAD7 EAD6 EAD5 EAD4 EAD3 EAD2 EAD1 EAD0	54 55 56 57 59 60 61 62	I/O	<p>EPROM address/data. EAD[7:0] is a multiplexed byte-bus that is used to address and read data from an external BIOS ROM.</p> <ul style="list-style-type: none"> • On the cycle when EXLE is asserted low, EAD[7:0] is driven with the high byte of the address. • On the cycle when EALE is asserted low, EAD[7:0] is driven with the low byte of the address. • When $\overline{\text{EOE}}$ is asserted, BIOS ROM data should be placed on the bus. <p>These pins also can be used to drive external-status LEDs. Low-current (2–5 mA) LEDs can be connected directly (through appropriate resistors). High-current LEDs can be driven through buffers or from the BIOS ROM address latches.</p>
EALE	65	O	EPROM address latch enable. EALE is driven low to latch the low (least significant) byte of the BIOS ROM address from EAD[0:7].
$\overline{\text{EOE}}$	64	O	EPROM output enable. When $\overline{\text{EOE}}$ is active (low), EAD[0:7] is in the high-impedance mode and the output of the BIOS ROM should be placed on EAD[0:7].
EXLE	66	O	EPROM extended address latch enable. EXLE is driven low to latch the high (most significant) byte of the BIOS ROM address from EAD[0:7].
CONFIGURATION EEPROM INTERFACE			
EDCLK	68	O	EEPROM data clock. EDCLK transfers serial clocked data to the 2K-bit serial EEPROMs (24C02) (see Note 1). EDCLK requires an external pullup for EEPROM operation.
EDIO	69	I/O	EEPROM data I/O. EDIO is the bidirectional serial data/address line to the 2K-bit serial EEPROM (24C02). EDIO requires an external pullup for EEPROM operation. Tying EDIO to ground disables the EEPROM interface and prevents autoconfiguration of the PCI configuration register.
MEDIA-INDEPENDENT INTERFACE (100-Mbps CSMA/CD AND DEMAND PRIORITY)			
MCOL	80	I	<p>Collision sense</p> <ul style="list-style-type: none"> • In CSMA/CD mode, assertion of MCOL indicates a network collision. • In demand-priority mode, MCOL (active low) is used to acknowledge a transmission request. The TNETE100A begins frame transmission 50 MTCLK cycles after the assertion (low) of MCOL.
MCRS	81	I	Carrier sense. MCRS indicates a frame-carrier signal is being received.
MDCLK	91	O	Management data clock. MDCLK is part of the serial management interface to physical-media independent (PMI)/PHY chip.
MDIO	93	I/O	Management data I/O. MDIO is part of the serial management interface to PMI/PHY chip.
MRCLK	82	I	Receive clock. MRCLK is the receive clock source from the attached PHY and PMI device.
$\overline{\text{MRST}}$	95	O	MII reset. $\overline{\text{MRST}}$ is the reset signal to the PMI/PHY front-end (active low).

† I = input, O = output, I/O = 3-state input/output, O/D = open-drain output
 NOTE 1: This pin should be tied to V_{DD} with a 4.7-k Ω – 10-k Ω pullup resistor.

■ 8961724 0105574 735 ■



ThunderLAN™ TNETE100A
PCI ETHERNET™ CONTROLLER
SINGLE-CHIP 10 BASE-T WITH MII FOR 100 BASE-T/100VG-AnyLAN

SPWS021B – OCTOBER 1995 – REVISED NOVEMBER 1996

Pin Functions (Continued)

PIN NAME	NO.	TYPE†	DESCRIPTION
MEDIA-INDEPENDENT INTERFACE (100-Mbps CSMA/CD AND DEMAND PRIORITY) (CONTINUED)			
MRXD0	83	I	Receive data. MRXD[3:0] is the nibble-receive data from the physical-media dependent (PMD) front end. In demand-priority mode, ThunderLAN reads the frame priority of incoming frames on these pins on the cycle before assertion of MRXDV (the cycle before frame reception begins). <ul style="list-style-type: none"> MRXD1 indicates the transmission priority of the received frame. A value of zero indicates normal transmission, and a value of one indicates priority transmission. Data on these pins is always synchronous to MRCLK.
MRXD1	85		
MRXD2	86		
MRXD3	87		
MRXDV	89	I	Receive data valid. MRXDV indicates data on MRXD[3:0] is valid.
MRXER	90	I	Receive error. MRXER indicates reception of a coding error on received data.
MTCLK	71	I	Transmit clock. MTCLK is the transmit clock source from the attached PHY and PMI device.
MTXD0	72	O	Transmit data. MTXD[3:0] is the nibble-transmit data from TNETE100A. When MTXEN is asserted, these pins carry transmit data. In demand-priority mode, the TNETE100A drives the request state of the controller on these pins when MTXEN is not asserted (frame transmission not in progress). <ul style="list-style-type: none"> MTXD0 asserted indicates the TNETE100A is requesting frame transmission. MTXD1 indicates the transmission priority required. A value of zero indicates normal transmission, and a value of one indicates high-priority transmission. Data on these pins is always synchronous to MTCLK.
MTXD1	73		
MTXD2	74		
MTXD3	76		
MTXER	78	O	Transmit error. MTXER allows coding errors to be propagated across the MII.
MTXEN	77	O	Transmit enable. MTXEN indicates valid transmit data on MTXD[3:0].
NETWORK INTERFACE (10 Base-T AND AUI)			
ACOLN	111	A	AUI receive pair. ACOLN and ACOLP are differential line receiver inputs and connect to receive pair through transformer isolation, etc.
ACOLP	109		
ARCVN	108	A	AUI receive pair. ARCVN and ARCVP are differential line receiver inputs and connect to receive pair through transformer isolation, etc.
ARCVP	106		
AXMTP	99	A	AUI transmit pair. AXMTP and AXMTN are differential line-transmitter outputs.
AXMTN	100		
FATEST	118	A	Analog test pin. FATEST provides access to the filter of the reference PLL. This pin must be left as a "no connect".
FIREF	116	A	Current reference. FIREF is used to set a current reference for the analog circuitry.
FONLY	120	A	Front-end only pin. When FONLY is tied high, all TNETE100A functions other than the on-chip front end are disabled. The MII pins allow the PHY to be used as a standalone 10 Base-T front end.
FRCVN	105	A	10 Base-T receive pair. FRCVN and FRCVP are differential line-receiver inputs and connect to receive pair through transformer isolation, etc.
FRCVP	103		
FXTL1	113	A	Crystal oscillator pins. FXTL1 is driven from a 20-MHz crystal oscillator module.
FXTL2	114		
FXMTP	97	A	10 Base-T transmit pair. FXMTP and FXMTN are differential line-transmitter outputs.
FXMTN	98		

† I = input, O = output, A = Analog

■ 8961724 0105575 671 ■



POST OFFICE BOX 1443 • HOUSTON, TEXAS 77251-1443

ThunderLAN™ TNETE100A
PCI ETHERNET™ CONTROLLER
SINGLE-CHIP 10 BASE-T WITH MII FOR 100 BASE-T/100VG-AnyLAN
SPWS021B – OCTOBER 1995 – REVISED NOVEMBER 1996

Pin Functions (Continued)

PIN NAME	NO.	TYPE†	DESCRIPTION
POWER			
VDDI	6, 14, 34, 48, 122, 136, 142	PWR	PCI V _{DD} pins. V _{DDI} pins provide power for the PCI I/O pin drivers. Connect V _{DDI} pins to a 5-V power supply when using 5-V signals on the PCI bus. Connect V _{DDI} pins to a 3-V power supply when using 3-V signals on the PCI bus
VDDL	22, 37, 58, 70, 79, 84, 94, 130	PWR	Logic V _{DD} pins (5 V). V _{DDL} pins provide power for internal TNETE100A logic, and they should always be connected to a 5-V power supply.
VDDOSC	115	PWR	Analog power pin. V _{DDOSC} is the 5-V power for the crystal oscillator circuit.
VDDR	104 107	PWR	Analog power pin. V _{DDR} is the 5-V power for the receiver circuitry.
VDDT	96	PWR	Analog power pin. V _{DDT} is the 5-V power for the transmitter circuitry.
VDDVCO	117	PWR	Analog power pin. V _{DDVCO} is the 5-V power for the voltage controller oscillator (VCO) and filter input.
VSSI	3, 10, 26, 31, 40, 52, 67, 88, 127, 139	PWR	PCI I/O ground pins
VSSL	18, 44, 63, 75, 92, 133	PWR	Logic ground pins
VSSOSC	112	PWR	Analog power pin. Ground for crystal oscillator circuit
VSSR	102 110	PWR	Analog power pin. Ground for receiver circuitry
VSST	101	PWR	Analog power pin. Ground for transmitter circuitry
VSSVCO	119	PWR	Analog power pin. Ground for VCO and filter input

† PWR = power

architecture

The major blocks of the TNETE100A include the PCI interface (PCIIF), protocol handler (PH), media independent interface (MII), physical layer (PHY), FIFO pointer registers (FPREGS), FIFO SRAM (FSRAM), and a test-access port (TAP). The functionality of these blocks is described in the following sections.

PCI interface (PCIIF)

The TNETE100A PCIIF contains a byte-aligning DMA controller that allows frames to be fragmented into any byte length and transferred to any byte address while supporting 32-bit data streaming. For multipriority networks, it can provide multiple data channels, each with separate lists, commands, and status. Data for the channels is passed to and from the PH by way of circular buffer FIFOs in the SRAM, controlled through FIFO registers. The configuration EEPROM interface (CEI), BIOS ROM/LED driver interface (BRI), configuration and I/O memory registers (CIOREGS), and DMA controller are subblocks of the PCIIF. The features of these subblocks are described in the following subsections.

configuration EEPROM interface (CEI)

The CEI provides a means for autoconfiguration of the PCI configuration registers. Certain registers in the PCI configuration space can be loaded using the CEI. Autoconfiguration allows builders of TNETE100A-based systems to customize the contents of these registers to identify their own system, rather than to use the TI defaults. The EEPROM is read at power up and can then be read from, and written to, under program control.

ThunderLAN™ TNETE100A PCI ETHERNET™ CONTROLLER SINGLE-CHIP 10 BASE-T WITH MII FOR 100 BASE-T/100VG-AnyLAN

SPWS021B – OCTOBER 1995 – REVISED NOVEMBER 1996

BIOS ROM/LED driver interface (BRI)

The BRI addresses and reads data from an external BIOS ROM through a multiplexed byte-wide bus. The ROM address/data pins also can be multiplexed to drive external status LEDs.

configuration and I/O memory registers (CIOREGS)

The CIOREGS reside in the configuration space, which is 256 bytes in length. The first 64 bytes of the configuration space comprise the header region, which is defined explicitly by the PCI standard.

DMA controller (DMAC)

The DMAC is responsible for coordinating TNETE100A requests for mastership of the PCI bus. The DMAC provides byte-aligning DMA control, allowing byte-size fragmented frames to be transferred to any byte address while supporting 32-bit data streaming.

protocol handler (PH)

The PH implements the serial protocols of the network. On transmit, it serializes data, adds framing and CRC fields, and interfaces to the network PHY. On receive, it provides address recognition, CRC and error checking, frame disassembly, and deserialization. Data for multiple channels is passed to and from the PH by way of circular buffer FIFOs in the FSRAM controlled through FPREGS. The PH supports an MII that is compatible with the IEEE 802.12 and IEEE 802.3u logic.

media-independent interface (MII)

The MII provides both MAC-level 100 Base-T (IEEE 802.3u) and 100VG-AnyLAN (IEEE 802.12) controller functions to external PHY chips that handle the PHY functions for 100-Mbps CSMA/CD and demand priority. The MII also is used to communicate with the on-chip 10 Base-T PHY which is located at address 0x1F.

10 Base-T physical layer (PHY)

The PHY acts as an on-chip front-end providing physical layer functions for 10 Base-5 (AUI), 10 Base-2 and 10 Base-T (twisted pair). The PHY provides Manchester encoding/decoding from MII nibble-format data, smart squelch, jabber detection, link pulse detection, autopolarity control, 10 Base-T transmission waveshaping, and antialiasing filtering. Connection to the AUI drop cable for the 10 Base-T twisted pair is made through simple isolation transformers (see Figure 2) and no external filter networks are required. Suitable external termination components allow the use of either shielded or unshielded twisted-pair cable (150 Ω or 100 Ω). Some of the key features of the on-chip PHY are listed as follow:

- Integrated filters
- Integrated MII, including encoder/decoder
- 10 Base-T transceiver
- AUI transceiver
- 10 Base-2 transceiver
- Autopolarity (reverse polarity correction)
- Loopback for twisted pair and AUI
- Full-duplex mode for simultaneous 10 Base-T transmission and reception
- Low power

8961724 0105577 444



10 Base-T physical layer (PHY) (continued)

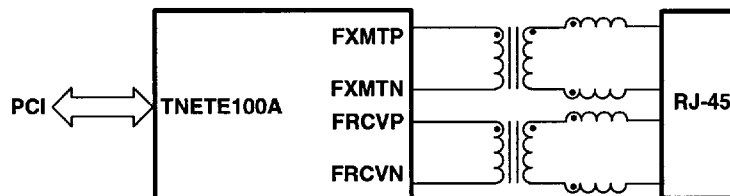


Figure 2. Schematic for 10 Base-T Network Interface Using TNETE100A

FIFO pointer registers (FPREGS)

The FPREGS are used to implement circular buffer FIFOs in the SRAM. They are a collection of pointer and counter registers used to maintain the FIFO operation. Both the PCIIF and PH use FPREGS to determine where to read or write data in the SRAM and to determine how much data the FIFO contains. Unique receive and transmit FIFO registers are needed for each data channel supported.

FIFO SRAM (FSRAM)

The FSRAM is a conventional SRAM array accessed synchronously to the PCI bus clock. Access to the RAM is allocated on a time-division multiplexed (TDM) basis, rather than through a conventional shared bus. This removes the need for bus arbitration and provides ensured bandwidth. Half of the RAM accesses (every other cycle) are allocated to the PCI controller. It has a 64-bit access port to the RAM, giving it 1 Gbps of bandwidth, sufficient to support 32-bit data streaming on the PCI bus. The PH has one-quarter of the RAM accesses, and its port may be up to 64 bits wide. A 64-bit port for the PH provides 512 Mbps of bandwidth, more than sufficient for a full-duplex 100-Mbps network. The remaining RAM accesses can be allocated toward providing even more PH bandwidth. The RAM is accessible also (for diagnostic purposes) from the TNETE100A internal data bus. Host DIO (mapped I/O) accesses are used by the host to access internal TNETE100A registers and for controller test.

Features of the FIFO SRAM include:

- 3.375K bytes of FSRAM
 - 1.5K-byte FIFO for receive
 - Two 0.75K-byte FIFOs for the two transmit channels
 - Three 128-byte lists
- In one-channel mode, the two transmit channels are combined, providing a single 1.5K-byte FIFO for a single transmit channel.

Supporting 1.5K bytes of FIFO per channel allows full-frame buffering of Ethernet frames. PCI latency is such that a minimum of 500 bytes of storage is required to support 100-Mbps LANs.

test-access port (TAP)

Compliant with IEEE Standard 1149.1, the TAP is composed of five pins that are used to interface serially with the device and the board on which it is installed for boundary-scan testing.

ThunderLAN™ TNETE100A
PCI ETHERNET™ CONTROLLER
SINGLE-CHIP 10 BASE-T WITH MII FOR 100 BASE-T/100VG-AnyLAN

SPWS021B – OCTOBER 1995 – REVISED NOVEMBER 1996

absolute maximum ratings over operating case temperature range (unless otherwise noted)†

Supply voltage range, V_{DD} (see Note 2)	– 0.5 V to 7 V
Input voltage range (see Note 2)	– 0.5 V to 7 V
Output voltage range	– 0.5 V to 7 V
Power dissipation	1.15 W
Operating case temperature range, T_C	0°C to 95°C
Junction-to-ambient package thermal impedance, airflow = 100 LFPM, $T_{JA(100)}$ PGE	45.4°C/W
Junction-to-ambient package thermal impedance, airflow = 0 LFPM, $T_{JA(0)}$ PGE	51°C/W
Junction-to-ambient package thermal impedance, airflow = 0 LFPM, $T_{JA(0)}$ PCM	41.4°C/W
Junction-to-ambient package thermal impedance, airflow = 100 LFPM, $T_{JA(100)}$ PCM	38.0°C/W
Junction-to-case package thermal impedance, T_{JC}	0.22°C/W
Storage temperature range, T_{stg}	– 65°C to 150°C

† Stresses beyond those listed under “absolute maximum ratings” may cause permanent damage to the device. These are stress ratings only, and functional operation of the device at these or any other conditions beyond those indicated under “recommended operating conditions” is not implied. Exposure to absolute-maximum-rated conditions for extended periods may affect device reliability.

NOTE 2: Voltage values are with respect to V_{SS} , and all V_{SS} pins should be routed so as to minimize inductance to system ground.

The recommended operating conditions and the electrical characteristics tables are divided into groups, depending on pin function:

- PCI interface pins
- Logic pins
- Physical layer pins

The PCI signal pins are operated in one of two modes shown in the PCI tables.

- 5-V signal mode
- 3-V signal mode

recommended operating conditions (PCI interface pins only) (see Note 3)

	3-V SIGNALING OPERATION			5-V SIGNALING OPERATION			UNIT
	MIN	NOM	MAX	MIN	NOM	MAX	
V_{DD} Supply voltage (PCI)	3	3.3	3.6	4.75	5	5.25	V
V_{IH} High-level input voltage	$0.5 \times V_{DD}^\ddagger$		$V_{DD} + 0.5^\ddagger$	2.0	$V_{DD} + 0.5$		V
V_{IL} Low-level input voltage, TTL-level signal (see Note 4)	-0.5^\ddagger		0.5^\ddagger	-0.5	0.8		V
I_{OH} High-level output current	TTL outputs		-0.5^\ddagger	-2			mA
I_{OL} Low-level output current (see Note 5)	TTL outputs		1.5^\ddagger	6			mA

‡ Specified by design SPICE IV Curve (please refer to PCI specification revision 2.1, section 4.2, paragraph 2 for explanation)

NOTES: 3. PCI interface pins include $\overline{PCLKRUN}$, \overline{PFRAME} , \overline{PTRDY} , \overline{PIRDY} , \overline{PSTOP} , $\overline{PDEVSEL}$, \overline{PIDSEL} , \overline{PPERR} , \overline{PSERR} , \overline{PREQ} , \overline{PGNT} , \overline{PCLK} , \overline{PPAR} , \overline{PRST} , \overline{PINTA} , $\overline{PAD}[31:0]$, and $\overline{PC/BE}[3:0]$.

4. The algebraic convention, where the more negative (less positive) limit is designated as a minimum, is used for logic-voltage levels only.
5. Output current of 2 mA is sufficient to drive five low-power Schottky TTL loads or ten advanced low-power Schottky TTL loads (worst case).

8961724 0105579 217



POST OFFICE BOX 1443 • HOUSTON, TEXAS 77251-1443

ThunderLAN™ TNETE100A
PCI ETHERNET™ CONTROLLER

SINGLE-CHIP 10 BASE-T WITH MII FOR 100 BASE-T/100VG-AnyLAN

SPWS021B – OCTOBER 1995 – REVISED NOVEMBER 1996

**electrical characteristics over recommended ranges of supply voltage (unless otherwise noted)
(PCI interface pins)**

PARAMETER	TEST CONDITIONS†	3-V SIGNALING OPERATION		5-V SIGNALING OPERATION		UNIT
		MIN	MAX	MIN	MAX	
V _{OH} High-level output voltage, TTL-level signal (see Note 6)	V _{DD} = MIN, I _{OH} = MAX	0.9 × V _{DD} ‡		2.4		V
V _{OL} Low-level output voltage, TTL-level signal	V _{DD} = MAX, I _{OL} = MAX	0.1 × V _{DD} ‡		0.5		V
I _{OZ} High-impedance output current	V _{DD} = MAX, V _O = 0 V	10		10		μA
	V _{DD} = MAX, V _O = V _{DD}	-10		-10		
I _I Input current, any input or input/output	V _I = V _{SS} to V _{DD}	± 10		± 10		μA
I _{DD} Supply current I/O	V _{DD} = MAX	50		60		mA
C _i Input capacitance, any input§	f = 1 MHz, Others at 0 V	10		10		pF
C _o Output capacitance, any output or input/output§	f = 1 MHz, Others at 0 V	10		10		pF

† For conditions shown as MIN/MAX, use the appropriate value specified under the recommended operating conditions.

‡ Assured by SPICE IV Curve (please refer to PCI specification revision 2.1, section 4.2, paragraph 2 for explanation)

§ Specified by design

NOTE 6: The following signals require an external pullup resistor: \overline{PSERR} , \overline{PINTA} .

recommended operating conditions (logic pins) (see Note 7)

		MIN	NOM	MAX	UNIT
V _{DD}	Supply voltage (5 V only)	4.75	5	5.25	V
V _{IH}	High-level input voltage	2	V _{DD} +0.3		V
V _{IL}	Low-level input voltage, TTL-level signal (see Note 4)	-0.3	0.8		V
I _{OH}	High-level output current	TTL outputs		-4	mA
I _{OL}	Low-level output current (see Note 5)	TTL outputs		4	mA

NOTES: 4. The algebraic convention, where the more negative (less positive) limit is designated as a minimum, is used for logic-voltage levels only.

5. Output current of 2 mA is sufficient to drive five low-power Schottky TTL loads or ten advanced low-power Schottky TTL loads (worst case).

7. Logic pins include V_{DDL}, EAD[7:0], EXLE, EALE, \overline{EOE} , EDCLK, EDIO, FONLY, MTCLK, MTXEN, MTXER, MCOL, MTXD[3:0], MRXD[3:0], MCRS, MRCLK, MRXDV, MRXER, MDCLK, MDIO, MRST.

8961724 0105580 T39



ThunderLAN™ TNETE100A
PCI ETHERNET™ CONTROLLER
SINGLE-CHIP 10 BASE-T WITH MII FOR 100 BASE-T/100VG-AnyLAN

SPWS021B – OCTOBER 1995 – REVISED NOVEMBER 1996

electrical characteristics over recommended ranges of supply voltage (unless otherwise noted) (logic pins)

PARAMETER		TEST CONDITIONS†	MIN	NOM	MAX	UNIT
V _{OH}	High-level output voltage, TTL-level signal	V _{DD} = MIN, I _{OH} = MAX	2.4			V
V _{OL}	Low-level output voltage, TTL-level signal	V _{DD} = MAX, I _{OL} = MAX			0.5	V
I _O	High-impedance output current	V _{DD} = MIN, V _O = V _{DD}			10	μA
		V _{DD} = MIN, V _O = 0 V			-10	
I _I	Input current	V _I = V _{SS} to V _{DD}			±10	μA
I _{DD}	Supply current @ 25 MHz (PCLK) (See Note 8)	V _{DD} = NOM/MAX	100 Mbps	150‡	210§	mA
			10 Mbps	190‡		
	100 Mbps		183‡	285§		
	10 Mbps		228‡			
C _i	Input capacitance, any input¶	f = 1 MHz, Others at 0 V			10	pF
		f = 1 MHz, Others at 0 V			10	
C _O	Output capacitance, any output or input/output¶	f = 1 MHz, Others at 0 V			10	pF

† For conditions shown as MIN/MAX, use the appropriate value specified under the recommended operating conditions.

‡ Characterized in system test not tested

§ Characterized but not tested

¶ Specified by design/process

NOTE 8: Actual operating current is less than these maximum values. These maximum values were obtained under specially produced worst-case test conditions, which are not sustained during normal device operation.

recommended operating conditions (physical layer pins) (see Note 9)

		JEDEC SYMBOL	MIN	NOM	MAX	UNIT
V _{DD}	Supply voltage		4.75	5	5.25	V

NOTE 9: Physical layer pins include V_{DDOSC}, V_{DDR}, V_{DDT}, V_{DDVCO}, ACOLN, ACOLP, ARCVN, ARCVP, AXMTP, AXMTN, FATEST, FIREF, FRCVN, FRCVP, FXTL1, FXTL2, FXMTP, and FXMTN.

electrical characteristics over recommended ranges of supply voltage (unless otherwise noted) (physical interface pins)

10 Base-T receiver input (FRCVP, FRCVN)

PARAMETER	JEDEC SYMBOL	TEST CONDITIONS	MIN	MAX	UNIT
V _{I(DIFF)}	Differential input voltage#	V _{ID}	0.6	2.8	V
I _(CM)	Common-mode current#	I _{IC}		4	mA
V _{SQ+}	Rising input pair squelch threshold (see Note 10)	V _{CM} = V _{SB} , See Note 11		360	mV
V _{SQ-}	Falling input pair squelch threshold	V _{CM} = V _{SB} , See Note 11	-360		mV

Refer to recommended operating conditions

NOTES: 10. V_{SQ} is the voltage level at which input is assured to be seen as data.

11. V_{SB} is the self-bias voltage of the input pair FRCVP and FRCVN.

10 Base-T transmitter drive characteristics (FXMTP, FXMTN)

PARAMETER	JEDEC SYMBOL	TEST CONDITIONS	MIN	MAX	UNIT
V _{SLW}	Differential voltage at specified slew rate	V _{OD(SLEW)}	±2.2	±2.8	V
V _{O(CM)}	Common-mode output voltage	V _{OC}	0	4	V
V _{O(DIFF)}	Differential voltage output	V _{OD}		5.25	V
V _{O(I)}	Output idle differential voltage	V _{OD(IDLE)}		±50	mV
I _{O(FC)}	Output current, fault condition¶	I _{O(FC)}		300	mA

¶ Specified by design/process

8961724 0105581 975



POST OFFICE BOX 1443 • HOUSTON, TEXAS 77251-1443

AUI receiver input (ARCV, ARCVN, ACOLP, ACOLN)

PARAMETER	JEDEC SYMBOL	TEST CONDITIONS	MIN	MAX	UNIT
V _{I(DIFF)1} Differential input voltage 1†	V _{ID(1)}	See Note 12	0	3	V
V _{I(DIFF)2} Differential input voltage 2†	V _{ID(2)}	See Note 13	0	100	mV
V(SQ-) Falling input pair squelch threshold			-325		mV

† Refer to recommended operating conditions

NOTES: 12. Common-mode frequency range : 0 Hz to 40 kHz

13. Common-mode frequency range : 40 kHz to 10 MHz

AUI transmitter drive characteristics (AXMTP, AXMTN)

PARAMETER	JEDEC SYMBOL	TEST CONDITIONS	MIN	MAX	UNIT
V _{O(DIFF)1} Differential output voltage‡	V _{OD(1)}	See Note 14	± 240	± 1300	mV
V _{OI(DIFF)} Output idle differential voltage†	V _{OD(IDLE)}			± 50	mV
V _{OI(DIFF)U} Output differential undershoot†§	V _{OD(IDLE)U}			100	mV
I _{O(FC)} Output current, fault condition‡	I _{O(FC)}			150	mA

† Refer to recommended operating conditions

‡ Specified by design

§ Characterized but not tested

NOTE 14: The differential voltage is measured as per Figure 3b.

crystal oscillator characteristics

PARAMETER	JEDEC SYMBOL	TEST CONDITIONS	MIN	MAX	UNIT
V _{SB(FXTL1)} Input self-bias voltage	V _{IB}		1.7	2.8	V
I _{OH(FXTL2)} High-level output current (see Note 4)	I _{OH}	V(FXTL2) = V _{SB(FXTL1)} V(FXTL1) = V _{SB(FXTL1)} + 0.5 V	-1.3	-5.0	mA
I _{OL(FXTL2)} Low-level output current	I _{OL}	V(FXTL2) = V _{SB(FXTL1)} V(FXTL1) = V _{SB(FXTL1)} - 0.5 V	0.4	1.5	mA

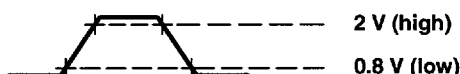
NOTE 4: The algebraic convention, where the more negative (less positive) limit is designated as a minimum, is used for logic-voltage levels only.

PARAMETER MEASUREMENT INFORMATION

Outputs are driven to a minimum high-logic level of 2.4 V and to a maximum low-logic level of 0.6 V. These levels are compatible with TTL devices.

Output transition times are specified as follows: For a high-to-low transition on either an input or output signal, the level at which the signal is said to be no longer high is 2 V and the level at which the signal is said to be low is 0.8 V. For a low-to-high transition, the level at which the signal is said to be no longer low is 0.8 V and the level at which the signal is said to be high is 2 V, as shown below.

The rise and fall times are not specified but are assumed to be those of standard TTL devices, which are typically 1.5 ns.

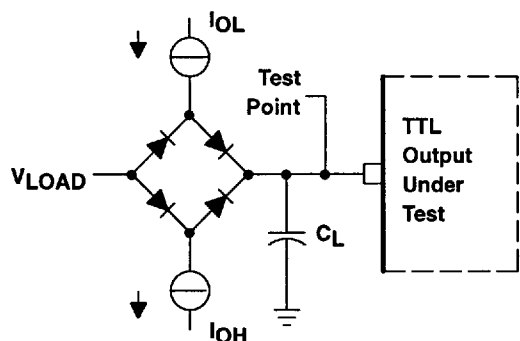


ThunderLAN™ TNETE100A
PCI ETHERNET™ CONTROLLER
SINGLE-CHIP 10 BASE-T WITH MII FOR 100 BASE-T/100VG-AnyLAN

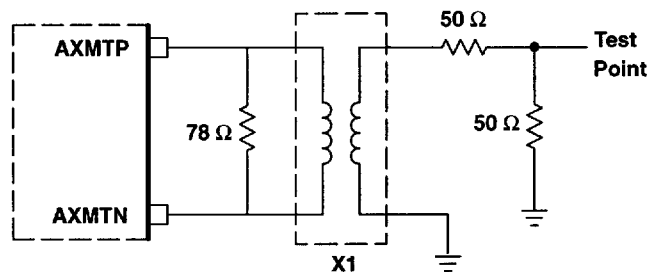
SPWS021B – OCTOBER 1995 – REVISED NOVEMBER 1996

test measurement

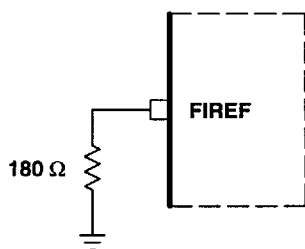
The test-load circuit shown in Figure 3 represents the programmable load of the tester pin electronics that are used to verify timing parameters of the TNETE100A output signals.



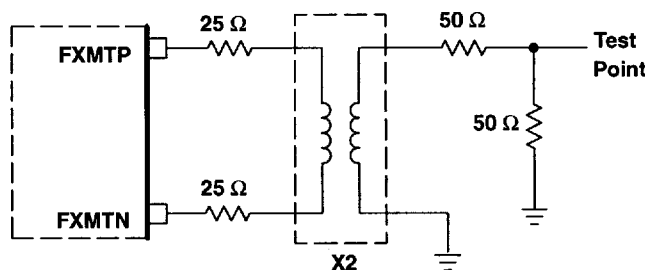
(a) TTL OUTPUT TEST LOAD



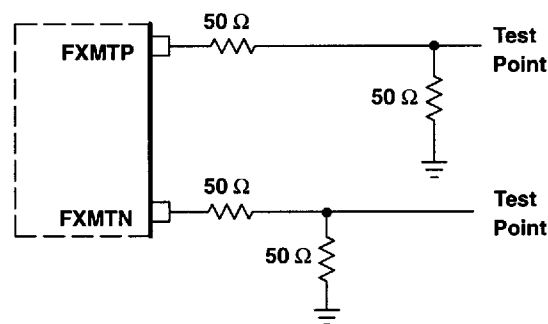
(b) AXMTP AND AXMTN TEST LOAD (AC TESTING)
 X1 – Fil – Mag 23Z90 (1:1)



(c) FIREF TEST CIRCUIT



(d) FXMTP AND FXMTN TEST LOAD (AC TESTING)
 X2 – Fil – Mag 23Z128 (1:√2)



(e) FXMTP AND FXMTN TEST LOAD (DC TESTING)

- Where:
- I_{OL} = Refer to I_{OL} in recommended operating conditions
 - I_{OH} = Refer to I_{OH} in recommended operating conditions
 - V_{LOAD} = 1.5 V, typical dc-level verification or
 0.7 V, typical timing verification
 - C_L = 18 pF, typical load-circuit capacitance

Figure 3. Test and Load Circuit

8961724 0105583 748



POST OFFICE BOX 1443 • HOUSTON, TEXAS 77251-1443

ThunderLAN™ TNETE100A
PCI ETHERNET™ CONTROLLER
SINGLE-CHIP 10 BASE-T WITH MII FOR 100 BASE-T/100VG-AnyLAN
SPWS021B – OCTOBER 1995 – REVISED NOVEMBER 1996

switching characteristics for PCI 5-V and 3.3-V (see Note 15, Figure 3 and Figure 4)

PARAMETER		MIN	MAX	UNIT
t_{VAL}	Delay time, PCLK to bused signals valid (see Notes 16 and 17)†	2	11	ns
$t_{VAL(PTP)}$	Delay time, PCLK to bused signals valid point-to-point (see Notes 16 and 17)	2	12	ns
t_{on}	Float-to-active delay	2		ns
t_{off}	Active-to-float delay		28	ns

† Characterized by design

- NOTES: 15. Some of the timing symbols in this table are not currently listed with EIA or JEDEC standards for semiconductor symbology but are consistent with the PCI Local-Bus Specification, Revision 2.0.
16. Minimum times are measured with a 0-pF equivalent load; maximum times are measured with a 50-pF equivalent load. Actual test capacitance may vary, but results should be correlated to these specifications.
17. \overline{PREQ} and \overline{PGNT} are point-to-point signals and have different output valid delay and input setup times than do bused signals. \overline{PGNT} has a setup time of 10 ns; \overline{PREQ} has a setup time of 12 ns. All other signals are bused.

timing requirements for PCI 5-V and 3.3-V (see Note 15 and Figure 4)

		MIN	MAX	UNIT	
t_{su}	Setup time, bused signals valid to PCLK (see Note 17)	7		ns	
$t_{su(PTP)}$	Setup time to PCLK—point-to-point (see Note 17)	10, 12		ns	
t_h	Input hold time from PCLK	0		ns	
t_c	Cycle time, PCLK (see Note 18)	100 Mbps	30	50‡	ns
		10 Mbps	30	500‡	ns
$t_{w(H)}$	Pulse duration, PCLK high	12		ns	
$t_{w(L)}$	Pulse duration, PCLK low	12		ns	
t_{slew}	Slew rate, PCLK (see Note 19)‡	1	4	V/ns	

‡ Specified by design and system specifications.

- NOTES: 15. Some of the timing symbols in this table are not currently listed with EIA or JEDEC standards for semiconductor symbology but are consistent with the PCI Local-Bus Specification, Revision 2.0.
17. \overline{PREQ} and \overline{PGNT} are point-to-point signals and have different output valid delay and input setup times than do bused signals. \overline{PGNT} has a setup time of 10 ns; \overline{PREQ} has a setup time of 12 ns. All other signals are bused.
18. As a requirement for frame transmission/reception, the minimum PCLK frequency varies with network speed. The clock may only be stopped in a low state.
19. Rise and fall times are specified in terms of the edge rate measured in V/ns. This slew rate must be met across the minimum peak-to-peak portion of the clock waveform.

■ 8961724 0105584 684 ■



ThunderLAN™ TNETE100A
PCI ETHERNET™ CONTROLLER
SINGLE-CHIP 10 BASE-T WITH MII FOR 100 BASE-T/100VG-AnyLAN
 SPWS021B – OCTOBER 1995 – REVISED NOVEMBER 1996

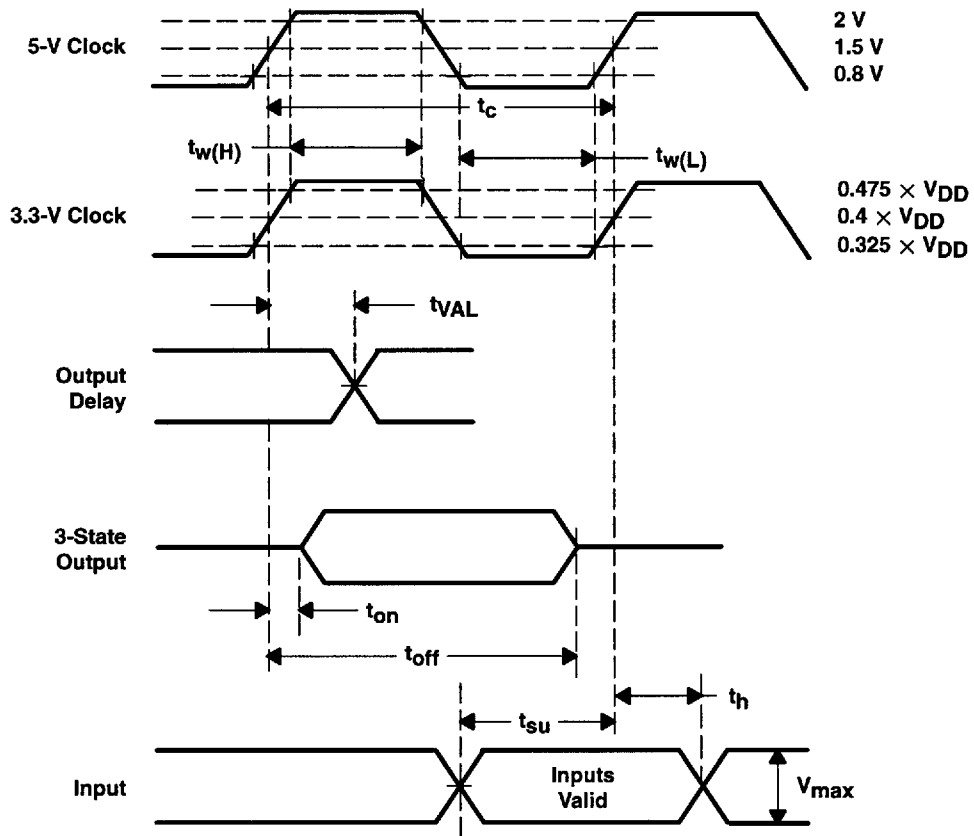


Figure 4. PCI 5-V and 3.3-V Timing

timing requirements for MII receive (see Figure 5)†

		MIN	MAX	UNIT
$t_{su}(\text{MRX pins})$	Setup time, MRXD[3:0], MRXDV, MRXER (see Note 20)	10		ns
$t_h(\text{MRX pins})$	Hold time, MRXD[3:0], MRXDV, MRXER (see Note 20)	10		ns

switching characteristics for MII transmit (see Figure 3 and Figure 5)†

PARAMETER	MIN	MAX	UNIT	
$t_d(\text{MTX pins})$	Delay time, MTCLK to MTXD[3:0], MTXEN, and MTXER outputs (see Note 21)	0	25	ns

† Both MCRS and MCOL are driven asynchronously by the PHY.

- NOTES: 20. MRXD[3:0] is driven by the PHY on the falling edge of MRCLK. It is sampled by the reconciliation sublayer synchronous to the edge of MRCLK. MRXD[3:0] timing must be met during clock periods where MRXDV is asserted. MRXDV is asserted and deasserted by the PHY on the falling edge of MRCLK. It is sampled by the reconciliation sublayer synchronous to the rising edge of MRCLK. MRXER is driven by the PHY on the falling edge of MRCLK. It is sampled by the reconciliation sublayer synchronous to the rising edge of MRCLK. MRXER timing must be met during clock periods when MRXDV is asserted.
21. MTXD[3:0] is driven by the reconciliation sublayer synchronous to the MTCLK. MTXEN is asserted and deasserted by the reconciliation sublayer synchronous to the MTCLK rising edge. MTXER is driven synchronous to the rising edge of MTCLK.

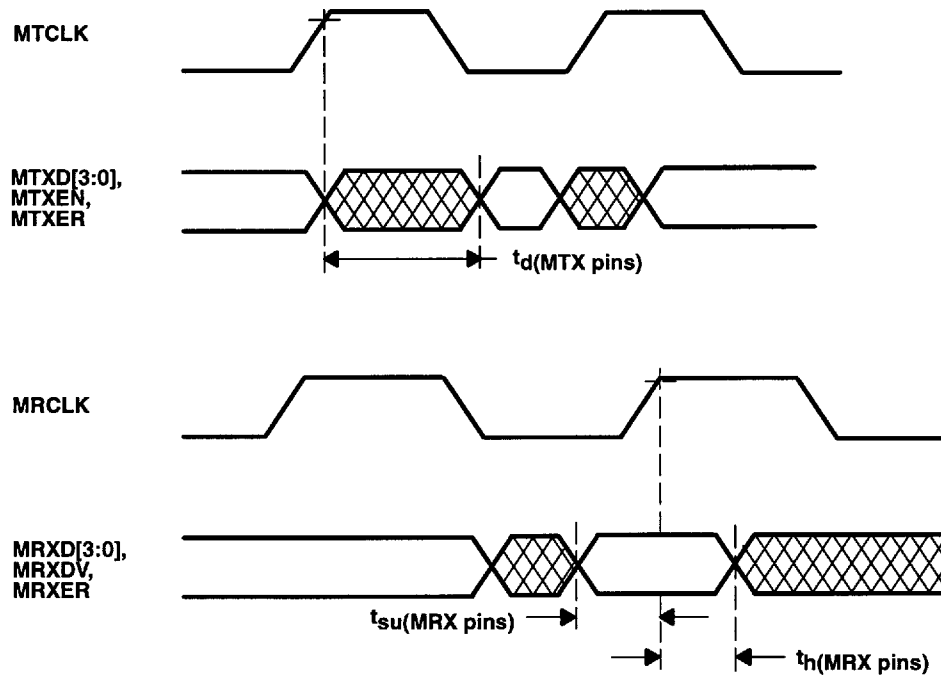


Figure 5. MII Transmit and Receive Timing

ThunderLAN™ TNETE100A
PCI ETHERNET™ CONTROLLER
SINGLE-CHIP 10 BASE-T WITH MII FOR 100 BASE-T/100VG-AnyLAN

SPWS021B – OCTOBER 1995 – REVISED NOVEMBER 1996

timing requirements for management data I/O (MDIO) (see Figure 6)

	MIN	MAX	UNIT
$t_a(\text{MDCLKH-MDIOV})$ Access time, MDIO valid from MDCLK high (see Note 22)	0	300	ns

switching characteristics for management data I/O (MDIO) (see Figure 3 and Figure 7)

PARAMETER	MIN	MAX	UNIT
$t_d(\text{MDIOV-MDCLKH})$ Delay time, MDIO valid to MDCLK high (see Note 23)	10		ns
$t_d(\text{MDCLKH-MDIOX})$ Delay time, MDCLK high to MDIO changing (see Note 23)	10		ns

NOTES: 22. When the MDIO signal is sourced by the PMI/PHY, it is sampled by TNETE100A synchronous to the rising edge of MDCLK.
 23. MDIO is a bidirectional signal that can be sourced by TNETE100A or the PMI/PHY. When TNETE100A sources the MDIO signal, TNETE100A asserts MDIO synchronous to the rising edge of MDCLK.

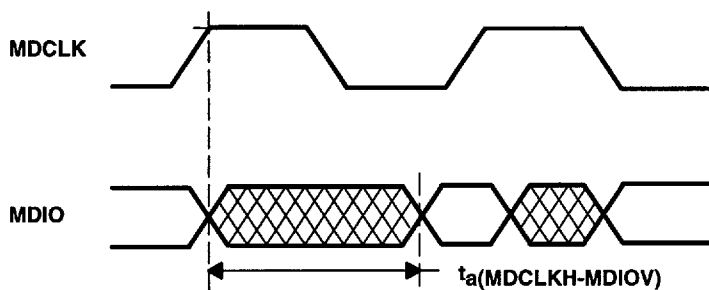


Figure 6. Management Data I/O Timing (Sourced by PHY)

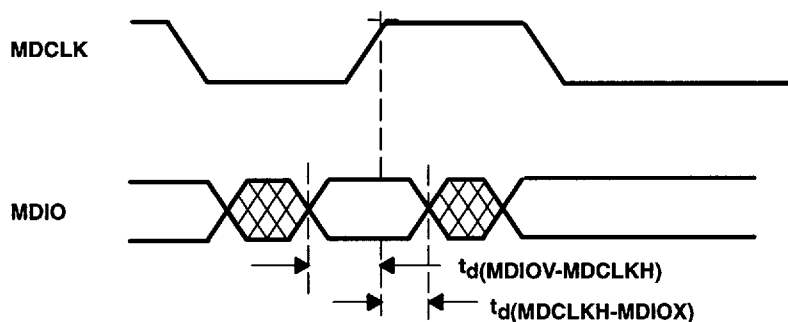


Figure 7. Management Data I/O Timing (Sourced by TNETE100A)

ThunderLAN™ TNETE100A
 PCI ETHERNET™ CONTROLLER
 SINGLE-CHIP 10 BASE-T WITH MII FOR 100 BASE-T/100VG-AnyLAN
 SPWS021B – OCTOBER 1995 – REVISED NOVEMBER 1996

timing requirements for BIOS ROM and LED interface (see Figure 8)†

	MIN	MAX	UNIT
t_{su} Setup time, data		250	ns
t_h Hold time, data	0		ns

switching characteristics for BIOS ROM and LED interface (see Figure 3 and Figure 8)†

PARAMETER	MIN	MAX	UNIT
$t_d(\text{EADV-EXLEL})$ Delay time, address high byte valid to EXLE low (address high byte setup time for external latch)	0		ns
$t_d(\text{EXLEL-EADZ})$ Delay time, EXLE low to address high byte invalid (address high byte hold time for external latch)	10		ns
$t_d(\text{EADV-EALEL})$ Delay time, address low byte valid to EALE low (address low byte setup time for external latch)	0		ns
$t_d(\text{EALEL-EADZ})$ Delay time, EALE low to address low byte invalid (address low byte hold time for external latch)	10		ns
t_a Access time, address	288		ns

† The EPROM interface, consisting of 11 pins, requires only two TTL '373 latches to latch the high and low addresses.

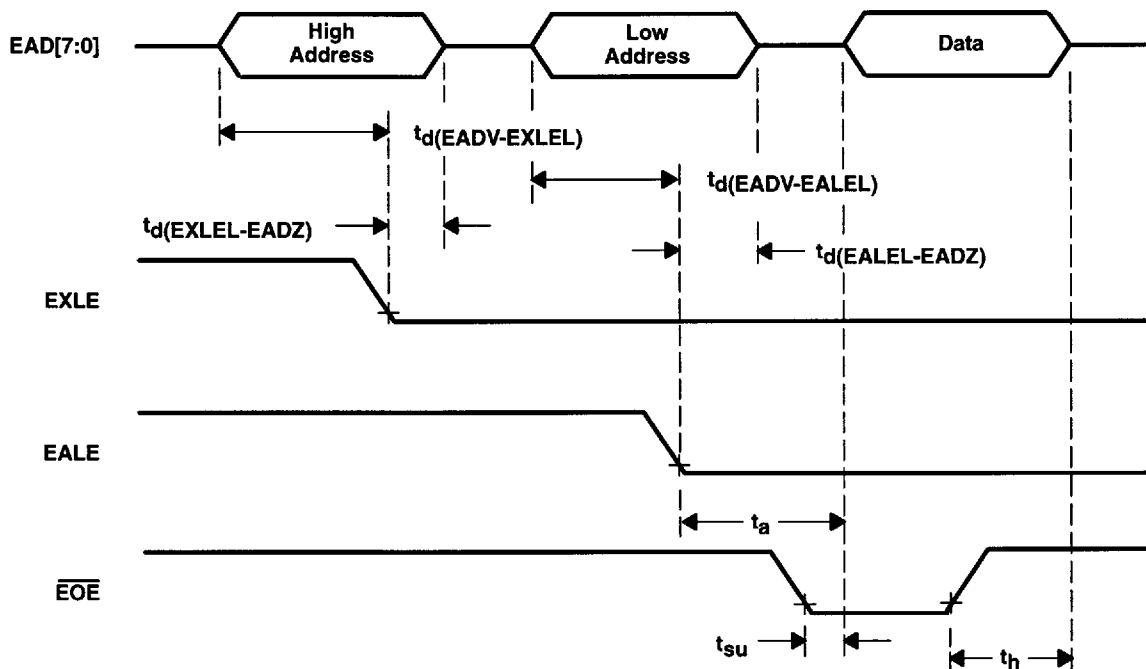


Figure 8. BIOS ROM and LED Interface Timing

ThunderLAN™ TNETE100A
PCI ETHERNET™ CONTROLLER
SINGLE-CHIP 10 BASE-T WITH MII FOR 100 BASE-T/100VG-AnyLAN

SPWS021B – OCTOBER 1995 – REVISED NOVEMBER 1996

switching characteristics for configuration EEPROM interface (see Figure 3 and Figure 9)

PARAMETER		MIN	MAX	UNIT
$f_{CLK}(EDCLK)$	Clock frequency, EDCLK	0	100	kHz
$t_d(EDCLKL-EDIOV)$	EDCLK low to EDIO data in valid	0.3	3.5	μs
$t_d(EDIO\ free)$	Time the bus must be free before a new transmission can start	4.7		μs
$t_d(EDIOV-EDCLKL)$	Delay time, EDIO valid after EDCLK low (start condition hold time for EEPROM)	4		μs
$t_w(L)$	Low period, clock	4.7		μs
$t_w(H)$	High period, clock	4		μs
$t_d(EDCLKH-EDIOV)$	Delay time, EDCLK high to EDIO valid (start condition setup time)	4.7		μs
$t_d(EDCLKL-EDIOX)$	Delay time, EDCLK low to EDIO changing (data out hold time)	0		μs
$t_d(EDIOV-EDCLKH)$	Delay time, EDIO valid to EDCLK high (data out setup time)	250		ns
t_r	Rise time, EDIO and EDCLK		1	μs
t_f	Fall time, EDIO and EDCLK		300	ns
$t_d(EDCLKH-EDIOH)$	Delay time, EDCLK high to EDIO high (stop condition setup time)	4.7		μs
$t_d(EDCLKL-EDIOX)$	Delay time, EDCLK low to EDIO changing (data in hold time)	300		ns

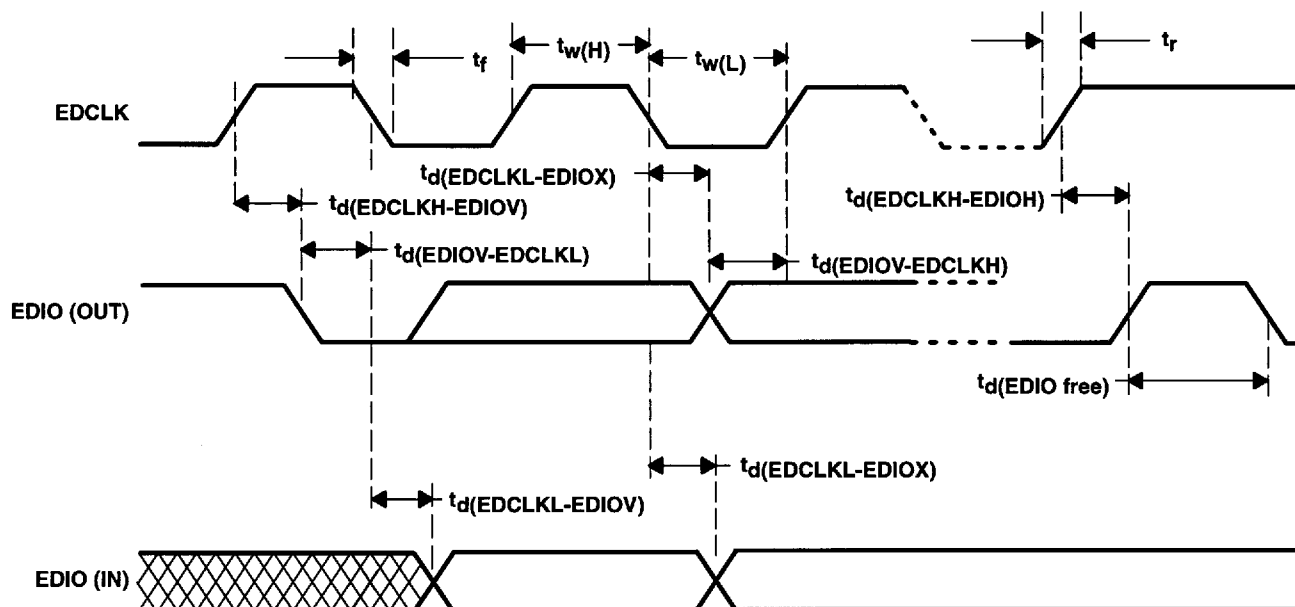


Figure 9. Configuration EEPROM Interface Timing

8961724 0105589 166



POST OFFICE BOX 1443 • HOUSTON, TEXAS 77251-1443

timing requirements for crystal oscillator (see Figure 10)†

		MIN	TYP	MAX	UNIT
$t_d(VDDH-FXTL1V)$	Delay time from minimum V_{DD} high level to first valid FXTL1 full swing period			100‡	ms
$t_w(H)$	Pulse duration at FXTL1 high	13‡			ns
$t_w(L)$	Pulse duration at FXTL1 low	13‡			ns
t_t	Transition time of FXTL1		7		ns
t_c	Cycle time, FXTL1		50		ns
	Tolerance of FXTL1 input frequency		± 0.01		%

† The FXTL signal can be driven by either a 20-MHz crystal using the FXTL1 and FXTL2 pins or by a 20-MHz crystal oscillator driving the FXTL1 pin.

‡ This specification is provided as an aid to board design. This specification is not tested during manufacturing testing.

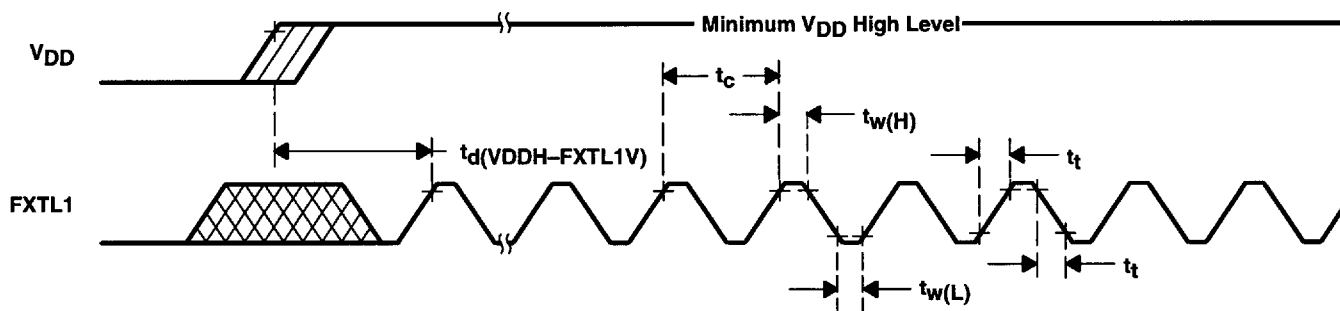


Figure 10. Crystal Oscillator Timing

ThunderLAN™ TNETE100A
PCI ETHERNET™ CONTROLLER
SINGLE-CHIP 10 BASE-T WITH MII FOR 100 BASE-T/100VG-AnyLAN

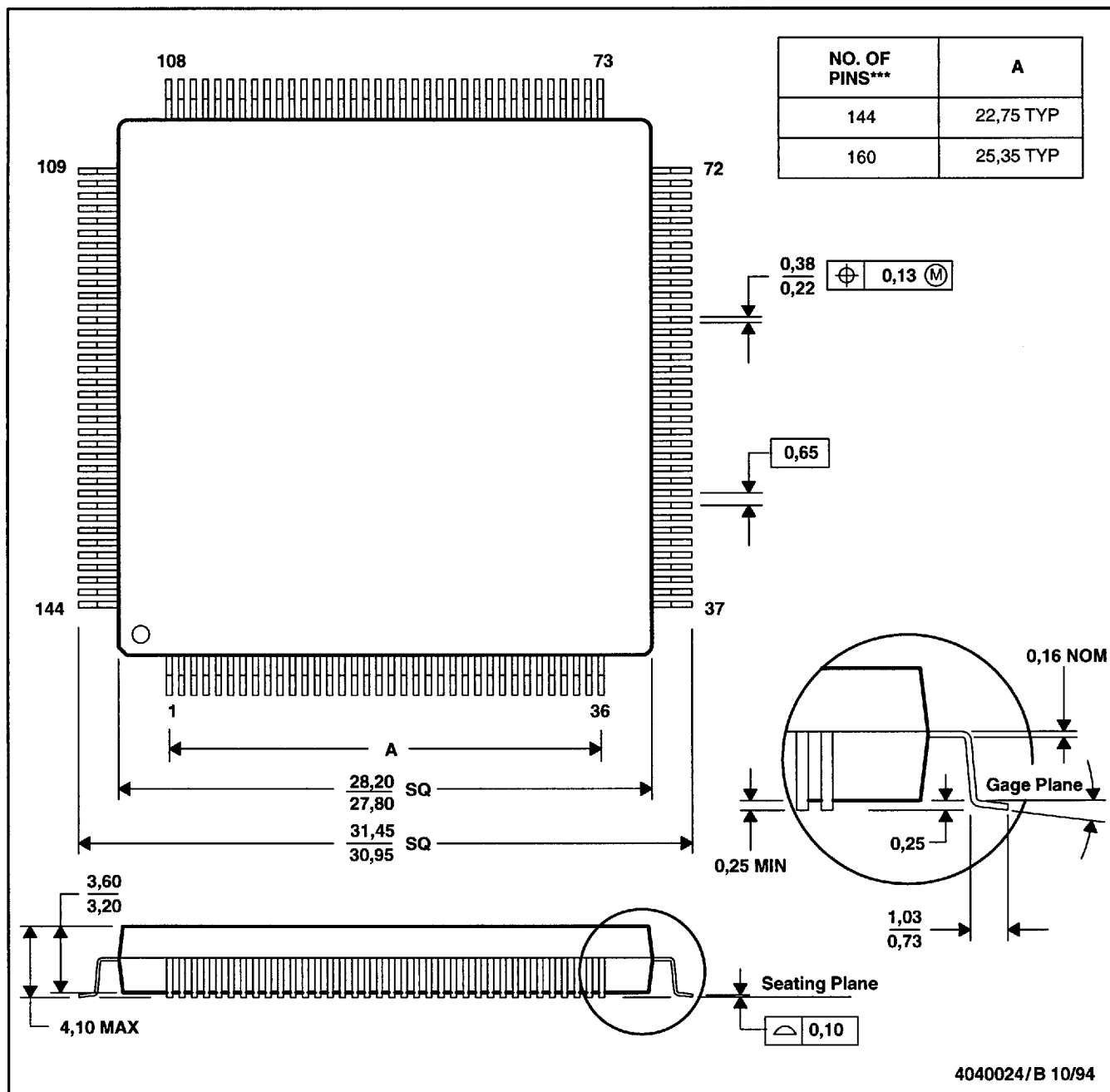
SPWS021B – OCTOBER 1995 – REVISED NOVEMBER 1996

MECHANICAL DATA

PCM (S-PQFP-G*)**

PLASTIC QUAD FLATPACK

144 PIN SHOWN



- NOTES: A. All linear dimensions are in millimeters.
 B. This drawing is subject to change without notice.
 C. Falls within JEDEC MS-022
 D. The 144 PCM is identical to the 160 PCM except that four leads per corner are removed.

8961724 0105591 814



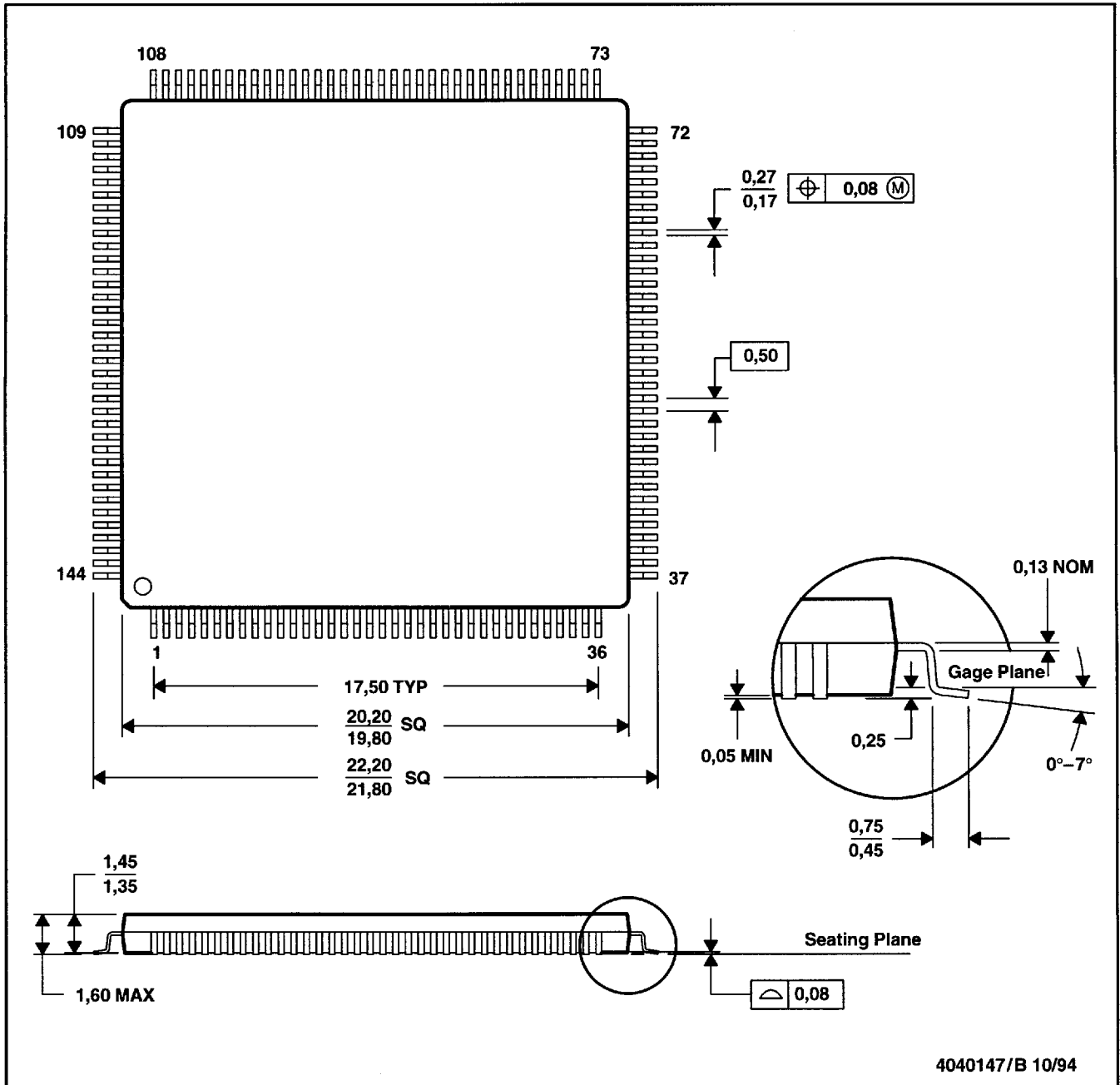
POST OFFICE BOX 1443 • HOUSTON, TEXAS 77251-1443

ThunderLAN™ TNETE100A
 PCI ETHERNET™ CONTROLLER
 SINGLE-CHIP 10 BASE-T WITH MII FOR 100 BASE-T/100VG-AnyLAN
 SPWS021B – OCTOBER 1995 – REVISED NOVEMBER 1996

MECHANICAL DATA

PGE (S-PQFP-G144)

PLASTIC QUAD FLATPACK



- NOTES: A. All linear dimensions are in millimeters.
 B. This drawing is subject to change without notice.
 C. Falls within JEDEC MO-136

8961724 0105592 750



POST OFFICE BOX 1443 • HOUSTON, TEXAS 77251-1443