



# High-Speed CMOS 8-Bit Bus Interface Latch Transceivers

QS54/74FCT543T  
QS54/74FCT2543T

## FEATURES/BENEFITS

- Pin and function compatible to the 74F543 74FCT543 and 74FCT543T
- Industrial temperature  $-40^{\circ}\text{C}$  to  $85^{\circ}\text{C}$
- CMOS power levels:  $<7.5\text{mW}$  static
- Available in DIP, SOIC, QSOP, ZIP, HQSOP
- Undershoot clamp diodes on all inputs
- TTL-compatible input and output levels
- Ground bounce controlled outputs
- Reduced output swing of 0-3.5V
- Military product compliant to MIL-STD-883, Class B

### FCT-T 543T

- JEDEC-FCT spec compatible
- A, C and D speed grades with 4.6ns  $t_{\text{PD}}$  for D
- $I_{\text{OL}} = 64\text{mA}$  Ind., 48mA Mil.

### FCT-T 2543T

- Built-in  $25\Omega$  series resistor outputs reduce reflection and other system noise
- A, C and D speed grades with 4.6ns  $t_{\text{PD}}$  for D
- $I_{\text{OL}} = 12\text{mA}$

## DESCRIPTION

The QSFCT543T and QSFCT2543T are 8-bit high-speed CMOS TTL-compatible latched bus transceivers with three-state outputs that are ideal for driving high capacitance loads such as memory and address buses. The 2543 devices are  $25\Omega$  resistor output versions useful for driving transmission lines and reducing system noise. The 2543 series parts can replace the 543 series to reduce noise in an existing design. All inputs have clamp diodes for undershoot noise suppression. All outputs have ground bounce suppression (see QSI Application Note AN-001), and outputs will not load an active bus when  $V_{\text{CC}}$  is removed from the device.

Figure 1. Functional Block Diagram

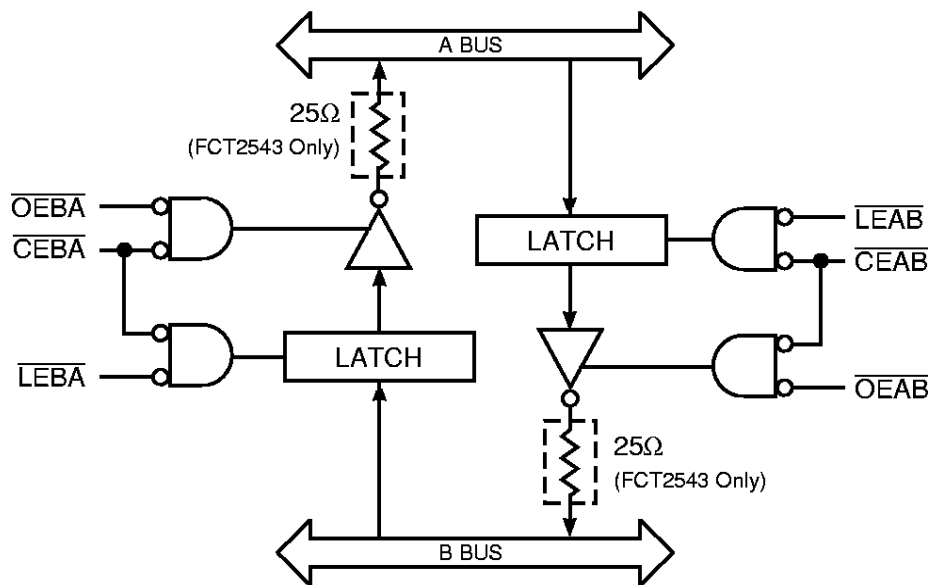


Figure 2. Pin Configurations (All Pins Top View)

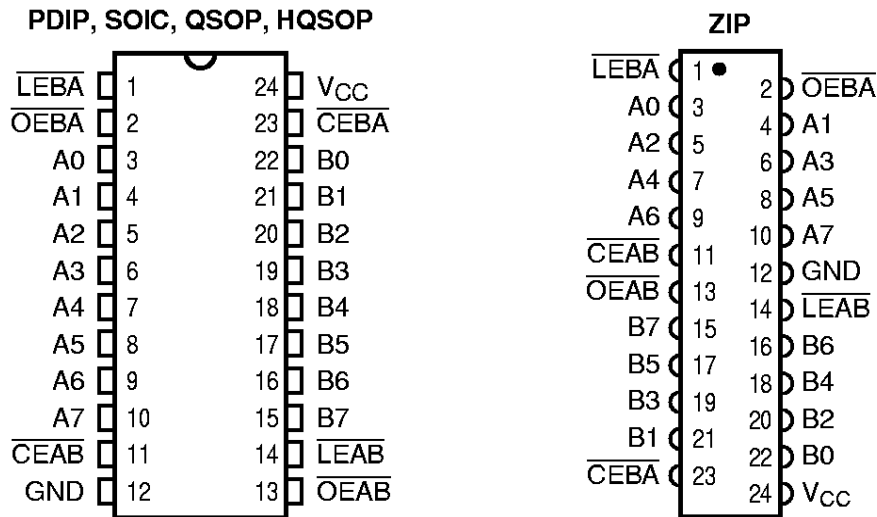


Table 1. Pin Description

Name	I/O	Description
A7-A0	I/O	A Bus
B7-B0	I/O	B Bus
$\overline{CEAB}$	I	Chip Select, A to B
$\overline{CEBA}$	I	Chip Select, B to A
$\overline{LEAB}$	I	Latch Enable, A to B
$\overline{LEBA}$	I	Latch Enable, B to A
$\overline{OEAB}$	I	Output Enable, A to B
$\overline{OEBA}$	I	Output Enable, B to A

Table 2. Function Table - QSFCT543T, 2543T

Inputs						Outputs		Function
$\overline{CEAB}$	$\overline{CEBA}$	$\overline{LEAB}$	$\overline{LEBA}$	$\overline{OEAB}$	$\overline{OEBA}$	A7-A0	B7-B0	
H	H	X	X	X	X	Hi-Z	Hi-Z	Disabled, Hold
X	X	X	X	H	H	Hi-Z	Hi-Z	Disabled
X	X	H	H	X	X	X	X	Hold
L	X	L	H	L	X	—	A	A → B Latch Transparent
X	L	H	L	X	L	B	—	B → A Latch Transparent
L	X	H	X	L	H	Hi-Z	NC	Hold Previous A Data
X	L	X	H	H	L	NC	Hi-Z	Hold Previous B Data

NC = No Change

**Table 3. Absolute Maximum Ratings**

Supply Voltage to Ground .....	-0.5V to 7.0V
DC Output Voltage $V_{OUT}$ .....	-0.5V to 7.0V
DC Input Voltage $V_{IN}$ .....	-0.5V to 7.0V
AC Input Voltage (for a pulse width $\leq 20$ ns) .....	-3.0V
DC Input Diode Current with $V_{IN} < 0$ .....	-20mA
DC Output Diode Current with $V_{OUT} < 0$ .....	-50mA
DC Output Current Max. Sink Current/Pin .....	120mA
Maximum Power Dissipation .....	0.5 watts
$T_{STG}$ Storage Temperature .....	-65° to 150°C

**Note:** Stresses greater than those listed under ABSOLUTE MAXIMUM RATINGS may cause permanent damage to QSI devices that result in functional or reliability type failures.

**Table 4. Capacitance<sup>(1)</sup>**

$T_A = 25^\circ\text{C}$ ,  $f = 1\text{MHz}$ ,  $V_{IN} = 0\text{V}$ ,  $V_{OUT} = 0\text{V}$

Pins <sup>(2)</sup>	SOIC	QSOP	PDIP	ZIP	Unit
1-11, 13-23	8	8	9	10	pF

**Notes:**

1. Capacitance is characterized but not tested.
2. Pin reference for 24-pin package.

**Table 5. Power Supply Characteristics**

Symbol	Parameter	Test Conditions <sup>(1)</sup>	Min	Max	Unit
$I_{CC}$	Quiescent Power Supply Current	$V_{CC} = \text{Max.}$ , freq = 0 $0\text{V} \leq V_{IN} \leq 0.2\text{V}$ or $V_{CC}-0.2\text{V} \leq V_{IN} \leq V_{CC}$	—	1.5	mA
$\Delta I_{CC}$	Supply Current per Input @ TTL HIGH	$V_{CC} = \text{Max.}$ , $V_{IN} = 3.4\text{V}$ , freq = 0 <sup>(2)</sup>	—	2.0	mA
$Q_{CCD}$	Supply Current per Input per MHz	$V_{CC} = \text{Max.}$ , Outputs Open and Enabled One Bit Toggling @ 50% Duty Cycle Other Inputs at GND or $V_{CC}$ <sup>(3,4)</sup>	—	0.25	mA/ MHz

**Notes:**

1. For conditions shown as Min. or Max., use the appropriate values specified under DC specifications.
2. Per TTL driven input ( $V_{IN} = 3.4\text{V}$ ).
3. For flip-flops,  $Q_{CCD}$  is measured by switching one of the data input pins so that the output changes every clock cycle. This is a measurement of device power consumption only and does not include power to drive load capacitance or tester capacitance. This parameter is guaranteed by design but not tested.
4.  $I_C$  can be computed using the above parameters as explained in the Technical Overview section.

**QS54/74FCT543T, 2543T**

**Table 6. DC Electrical Characteristics Over Operating Range**

Industrial  $T_A = -40^{\circ}\text{C}$  to  $85^{\circ}\text{C}$ ,  $V_{CC} = 5.0\text{V} \pm 5\%$

Military  $T_A = -55^{\circ}\text{C}$  to  $125^{\circ}\text{C}$ ,  $V_{CC} = 5.0\text{V} \pm 10\%$

Symbol	Parameter	Test Conditions	Min	Typ <sup>(1)</sup>	Max	Unit
$V_{IH}$	Input HIGH Voltage	Logic HIGH for All Inputs	2.0	—	—	V
$V_{IL}$	Input LOW Voltage	Logic LOW for All Inputs	—	—	0.8	V
$\Delta V_T$	Input Hysteresis	$V_{TLH} - V_{THL}$ for All Inputs	—	0.2	—	V
$ I_{IH} $ $ I_{IL} $	Input Current Input HIGH or LOW	$V_{CC} = \text{Max.}, 0 \leq V_{IN} < V_{CC}$	—	—	5	$\mu\text{A}$
$ I_{OZ} $	Off-State Output Current (Hi-Z)	$V_{CC} = \text{Max.}, 0 \leq V_{IN} \leq V_{CC}$	—	—	5	$\mu\text{A}$
$I_{OS}$	Short Circuit Current (FCT543)	$V_{CC} = \text{Max.}, V_{OUT} = \text{GND}^{(2,3)}$	-60	—	—	mA
$I_{OR}$	Current Drive (FCT2543 – 25 $\Omega$ )	$V_{CC} = \text{Min.}, V_{OUT} = 2.0\text{V}^{(3)}$	50	—	—	mA
$V_{IC}$	Input Clamp Voltage	$V_{CC} = \text{Min.}, I_{IN} = -18\text{mA}, T_A = 25^{\circ}\text{C}^{(3)}$	—	-0.7	-1.2	V
$V_{OH}$	Output HIGH Voltage	$V_{CC} = \text{Min.}, I_{OH} = -12\text{mA}$ (MIL) $I_{OH} = -15\text{mA}$ (IND)	2.4 2.4	— —	— —	V
$V_{OL}$	Output LOW Voltage (FCT543)	$V_{CC} = \text{Min.}, I_{OL} = 48\text{mA}$ (MIL) $I_{OL} = 64\text{mA}$ (IND)	— —	— —	0.55 0.55	V
$V_{OL}$	Output LOW Voltage (FCT2543 – 25 $\Omega$ )	$V_{CC} = \text{Min.}, I_{OL} = 12\text{mA}$ (MIL) $I_{OL} = 12\text{mA}$ (IND)	— —	— —	0.50 0.50	V
$R_{OUT}$	Output Resistance (FCT2543 – 25 $\Omega$ )	$V_{CC} = \text{Min.}, I_{OL} = 12\text{mA}$ (MIL) $I_{OL} = 12\text{mA}$ (IND)	— 20	25 28	— 40	$\Omega$

**Notes:**

1. Typical values indicate  $V_{CC} = 5.0\text{V}$  and  $T_A = 25^{\circ}\text{C}$ .
2. Not more than one output should be shorted and the duration is  $\leq 1$  second.
3. These parameters are guaranteed by design but not tested.

## QS54/74FCT543T, 2543T

**Table 7. Switching Characteristics Over Operating Range**

Industrial  $T_A = -40^\circ\text{C}$  to  $85^\circ\text{C}$ ,  $V_{CC} = 5.0\text{V} \pm 5\%$

Military  $T_A = -55^\circ\text{C}$  to  $125^\circ\text{C}$ ,  $V_{CC} = 5.0\text{V} \pm 10\%$

$C_{LOAD} = 50\text{pF}$ ,  $R_{LOAD} = 500\Omega$  unless otherwise noted.

Symbol	Description <sup>(1)</sup>		543A 2543A		543C 2543C		543D 2543D		Unit
			Min	Max	Min	Max	Min	Max	
$t_{PHLB}$ $t_{PLHB}$	Bus to Bus Delay (Transparent)	IND MIL	2.5 2.5	6.5 7.5	2.5 2.5	5.5 6.1	2	4.6	ns
$t_{PHLL}$ $t_{PLHL}$	Latch Enable to Data Delay	IND MIL	2.5 2.5	8 9	2.5 2.5	7 8	2.5	5.3	ns
$t_{PZH}$ $t_{PZL}$	Output Enable Time	IND MIL	2 2	9 10	2 2	8 9	1.5	6.2	ns
$t_{PLZ}$ $t_{PHZ}$	Output Disable Time <sup>(2)</sup>	IND MIL	2 2	7.5 8.5	2 2	6.5 7.5	2	6	ns
$t_S$	Setup Time Bus to $\overline{LE}$	IND MIL	2 2		2 2		2 2		ns
$t_H$	Hold Time Bus to $\overline{LE}$	IND MIL	2 2		2 2		2 2		ns
$t_W$	Pulse Width LOW $\overline{LE}$ <sup>(2)</sup>	IND MIL	5 5		5 5		5 5		ns

**Notes:**

1. Minimums guaranteed but not tested for all parameters except  $t_S$  and  $t_H$ .
2. This parameter is guaranteed by design but not tested.
3. See Test Circuit and Waveforms.